



US00D524769S

(12) **United States Design Patent**  
**Lin**

(10) **Patent No.:** **US D524,769 S**  
(45) **Date of Patent:** **\*\* Jul. 11, 2006**

(54) **TELEVISION SET**

(75) Inventor: **Roger Lin**, Taipei (TW)

(73) Assignee: **Hannspree, Inc.**, Taipei (TW)

(\*\*) Term: **14 Years**

(21) Appl. No.: **29/230,643**

(22) Filed: **May 25, 2005**

(30) **Foreign Application Priority Data**

Dec. 10, 2004 (TW) ..... 93307560

(51) **LOC (8) Cl.** ..... **14-03**

(52) **U.S. Cl.** ..... **D14/126**

(58) **Field of Classification Search** ..... D14/125-134,  
D14/239, 371, 136, 374-377; 312/7.2; 348/836,  
348/838, 180, 184, 325, 739; 341/12; 248/917-924,  
248/465; 345/104, 133, 156, 168, 87, 173;  
720/605, 669, 600, 655; 369/99, 197; 455/344-347  
See application file for complete search history.

(56) **References Cited**

**U.S. PATENT DOCUMENTS**

D224,346 S \* 7/1972 Nakamura et al. .... D14/126  
D247,748 S \* 4/1978 Ebner et al. .... D14/376  
D395,041 S \* 6/1998 Leveridge et al. .... D14/373  
D413,594 S \* 9/1999 Renk ..... D14/126

D439,225 S \* 3/2001 Kita ..... D14/126  
D449,609 S \* 10/2001 Jung ..... D14/374  
D449,610 S \* 10/2001 Chen ..... D14/374  
D475,049 S \* 5/2003 Duan ..... D14/375  
D478,080 S \* 8/2003 Wu ..... D14/374  
D481,724 S \* 11/2003 Olson et al. .... D14/371  
D483,726 S \* 12/2003 Teng et al. .... D14/129  
D489,340 S \* 5/2004 Honda ..... D14/126  
D489,342 S \* 5/2004 Campbell et al. .... D14/130

\* cited by examiner

*Primary Examiner*—Raphael Barkai

(74) *Attorney, Agent, or Firm*—Troxell Law Office, PLLC

(57) **CLAIM**

The ornamental design fo a television set, as shown and described.

**DESCRIPTION**

FIG. 1 is a perspective view of television set showing my design;

FIG. 2 is a front view thereof;

FIG. 3 is a rear side view thereof;

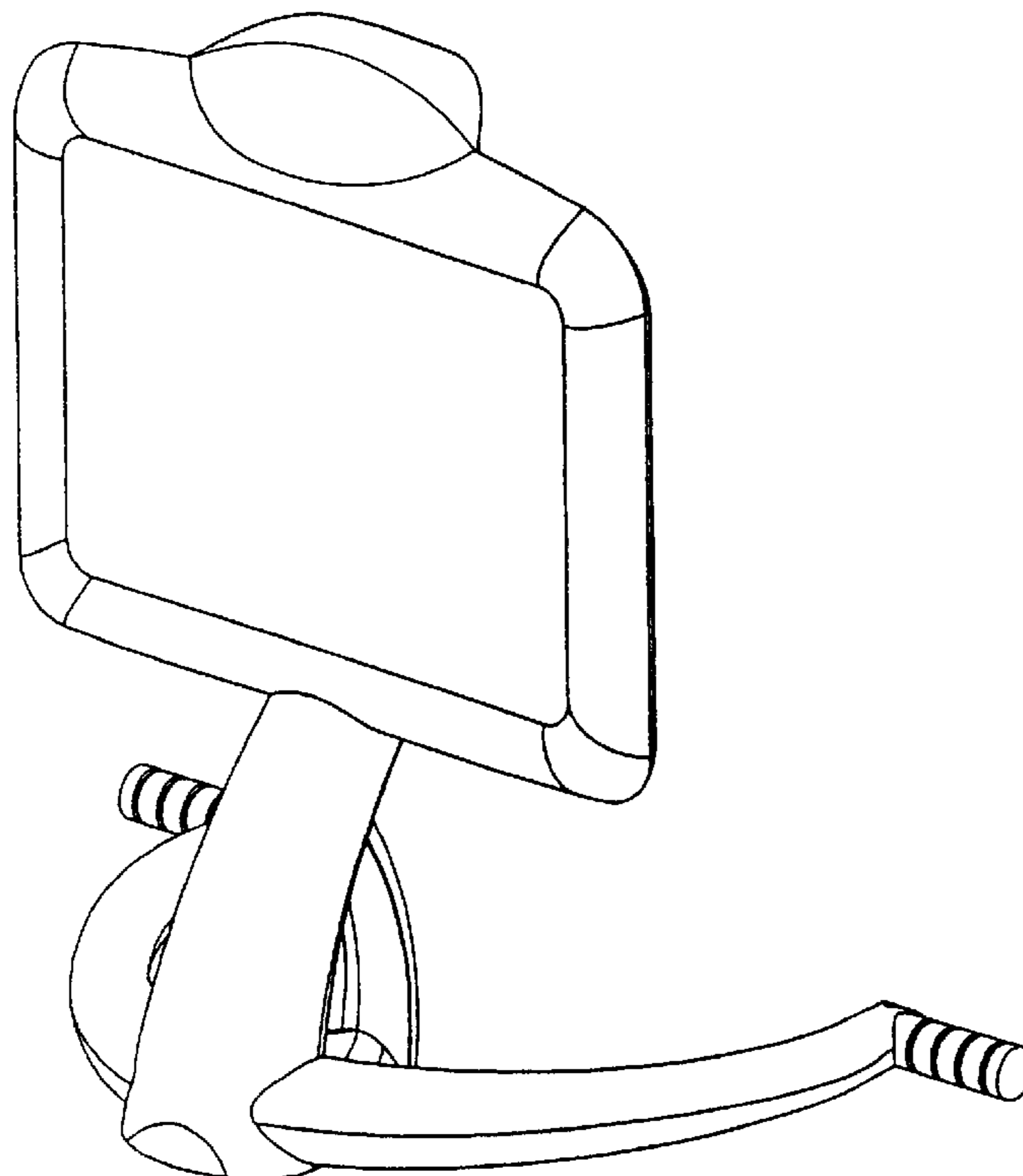
FIG. 4 is a left side view thereof;

FIG. 5 is a right side view thereof;

FIG. 6 is a top view thereof; and,

FIG. 7 is a bottom view thereof.

**1 Claim, 3 Drawing Sheets**



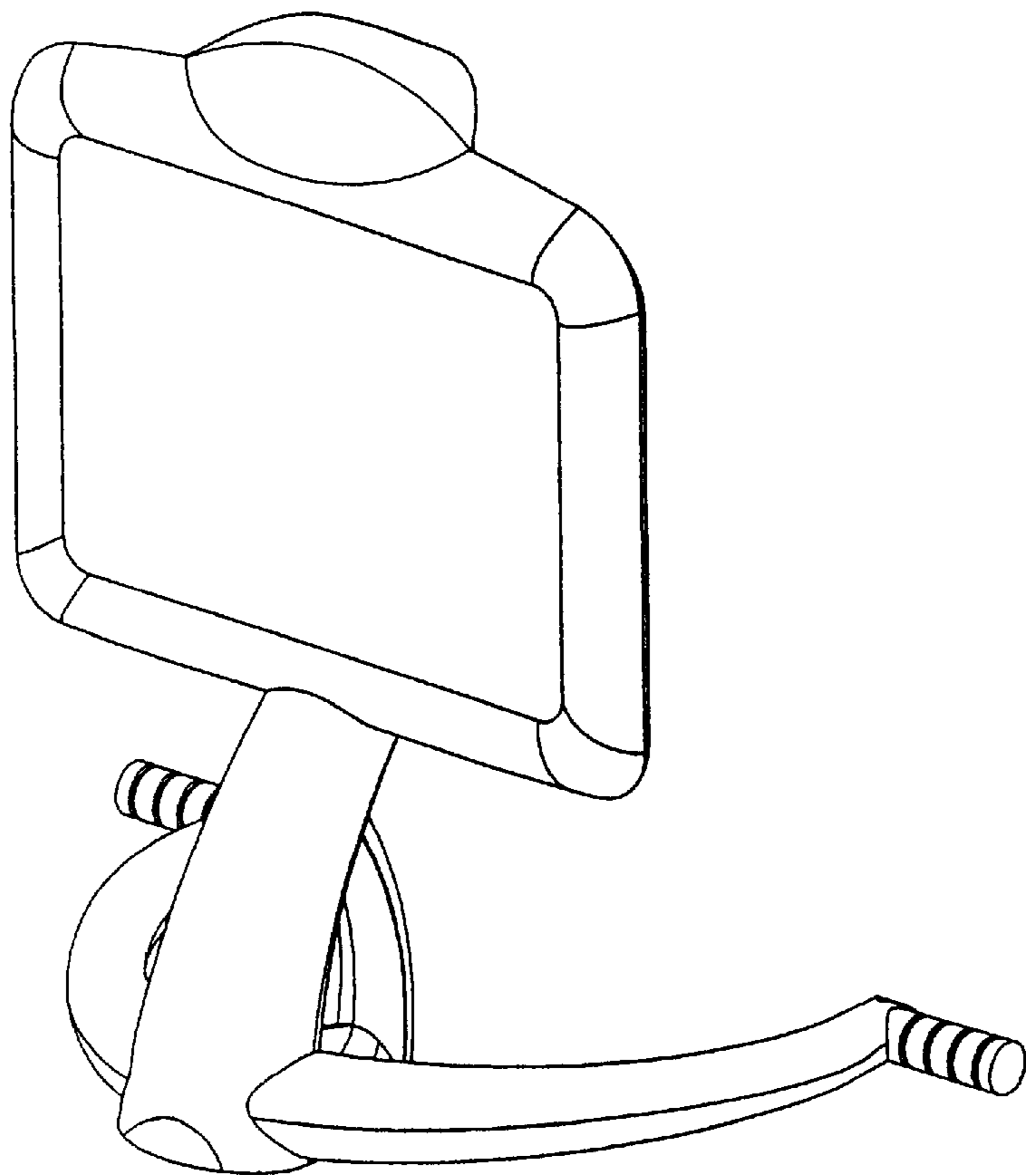


FIG. 1

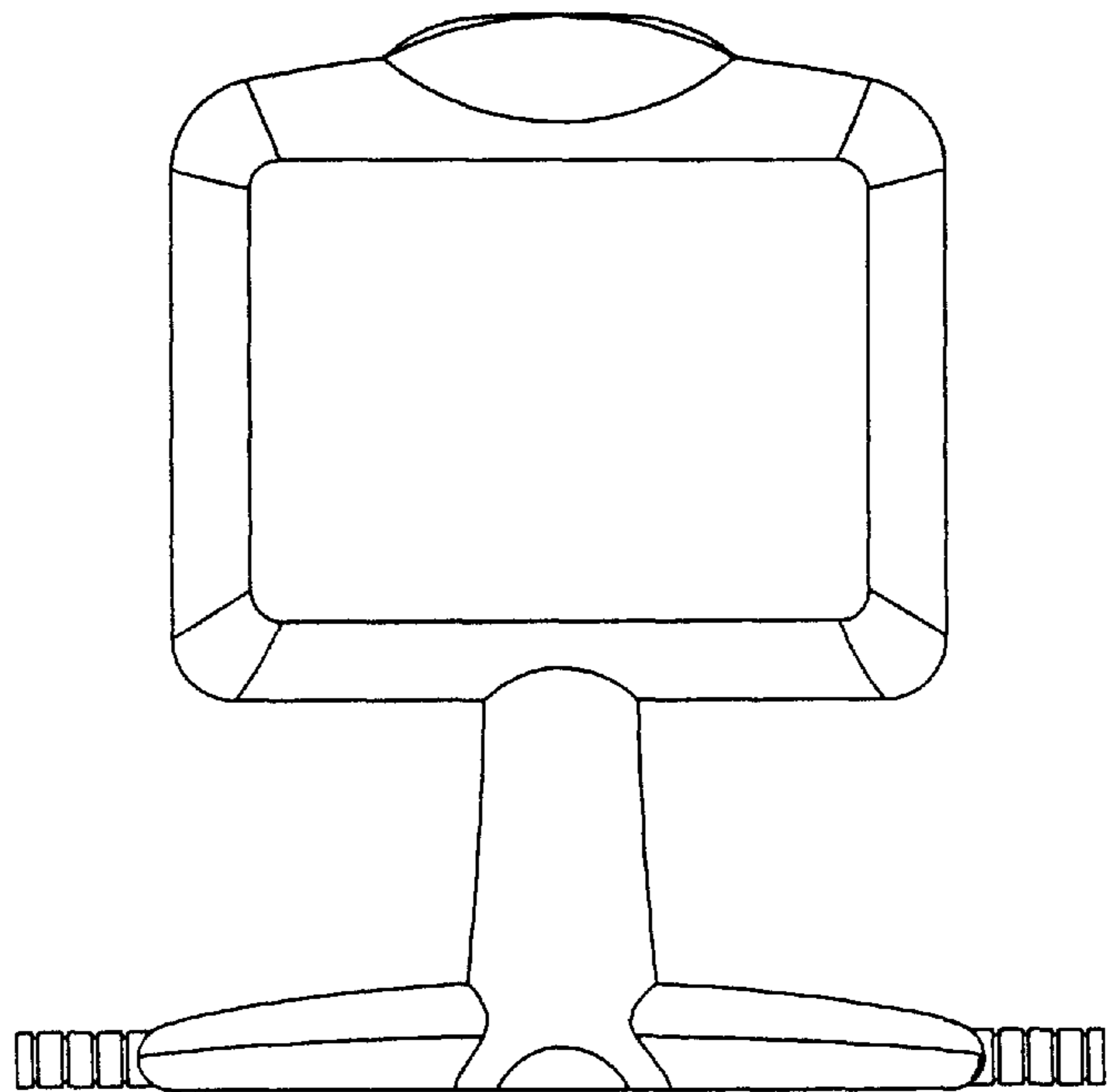


FIG. 2

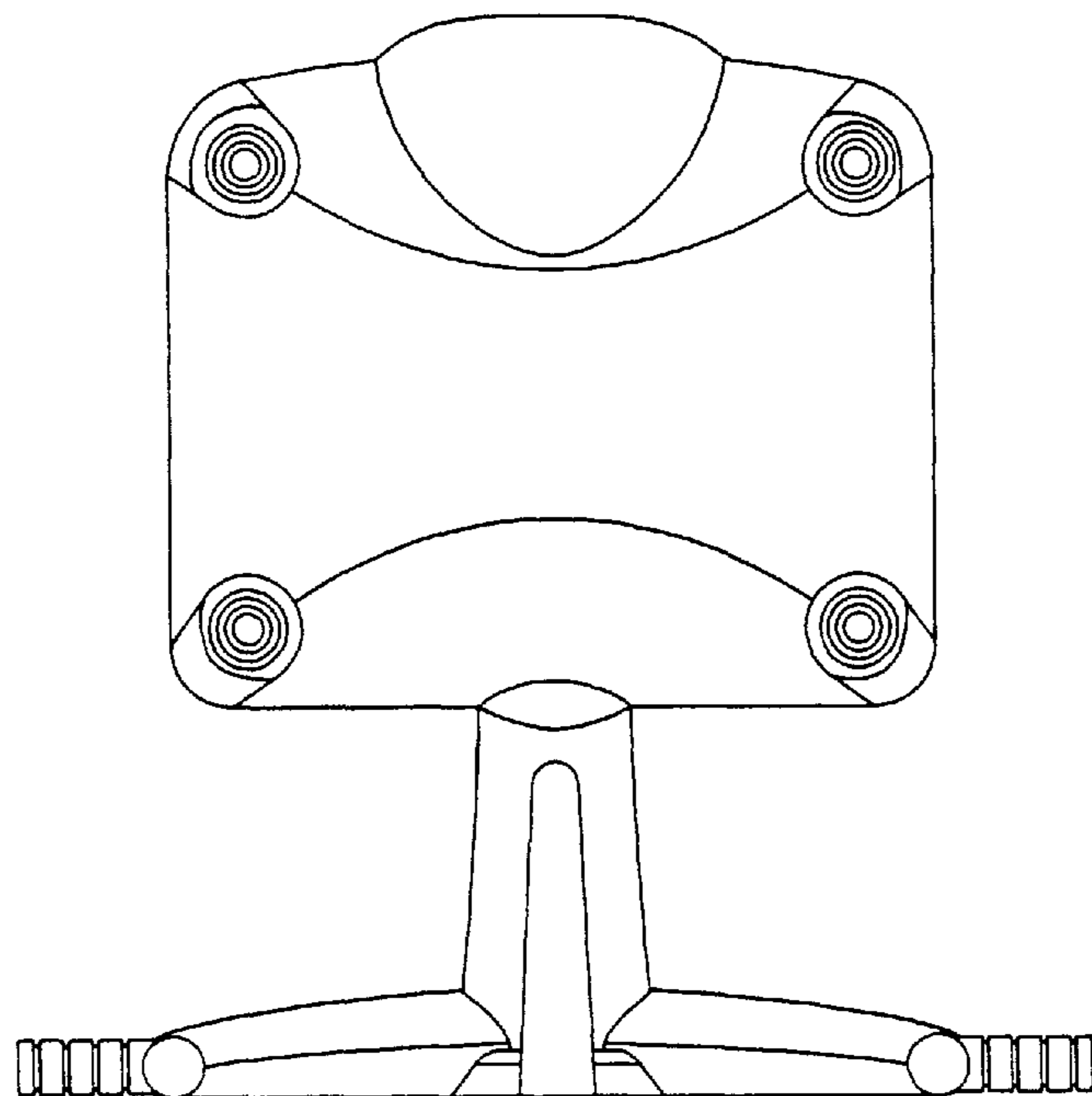


FIG. 3

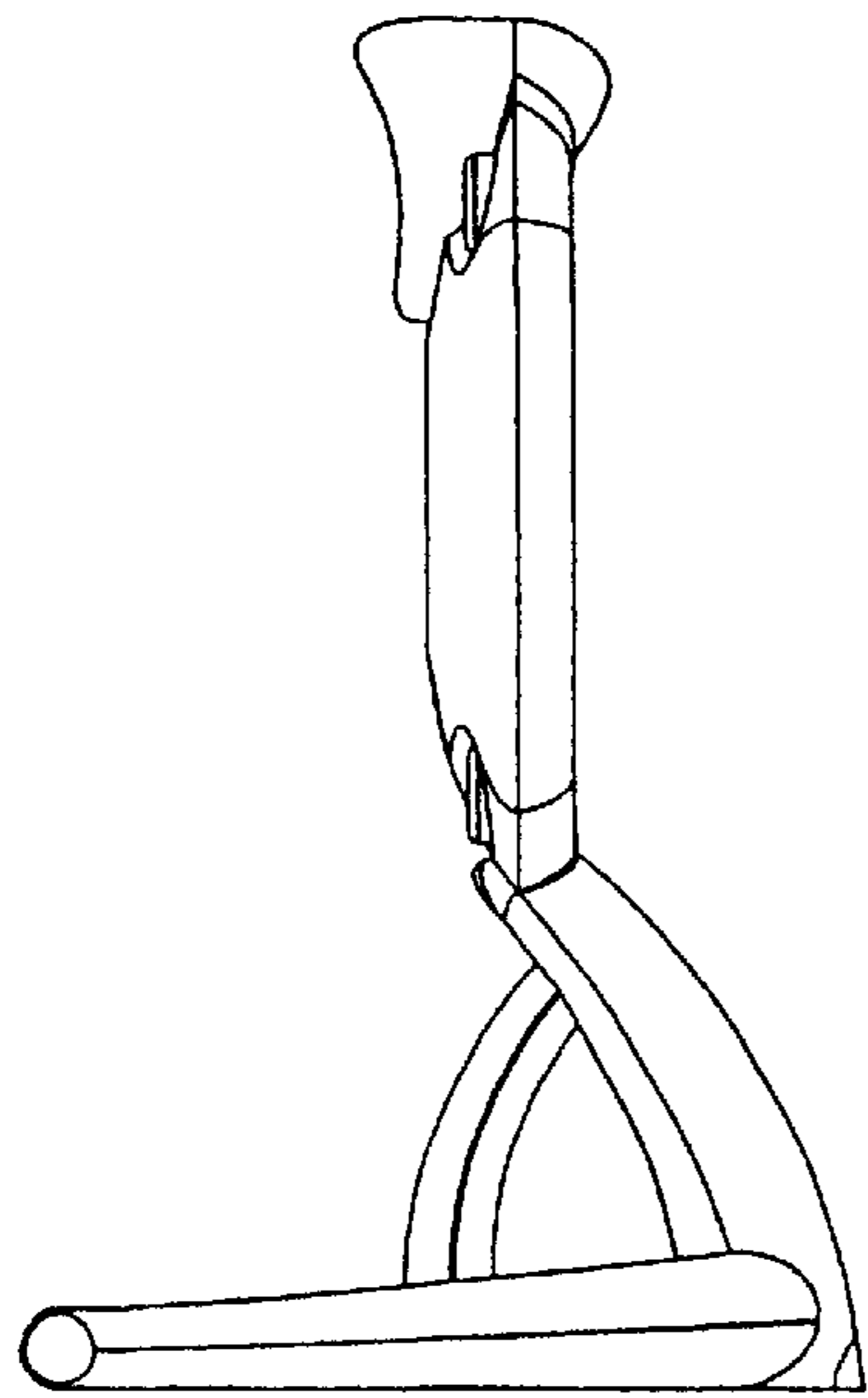


FIG. 4

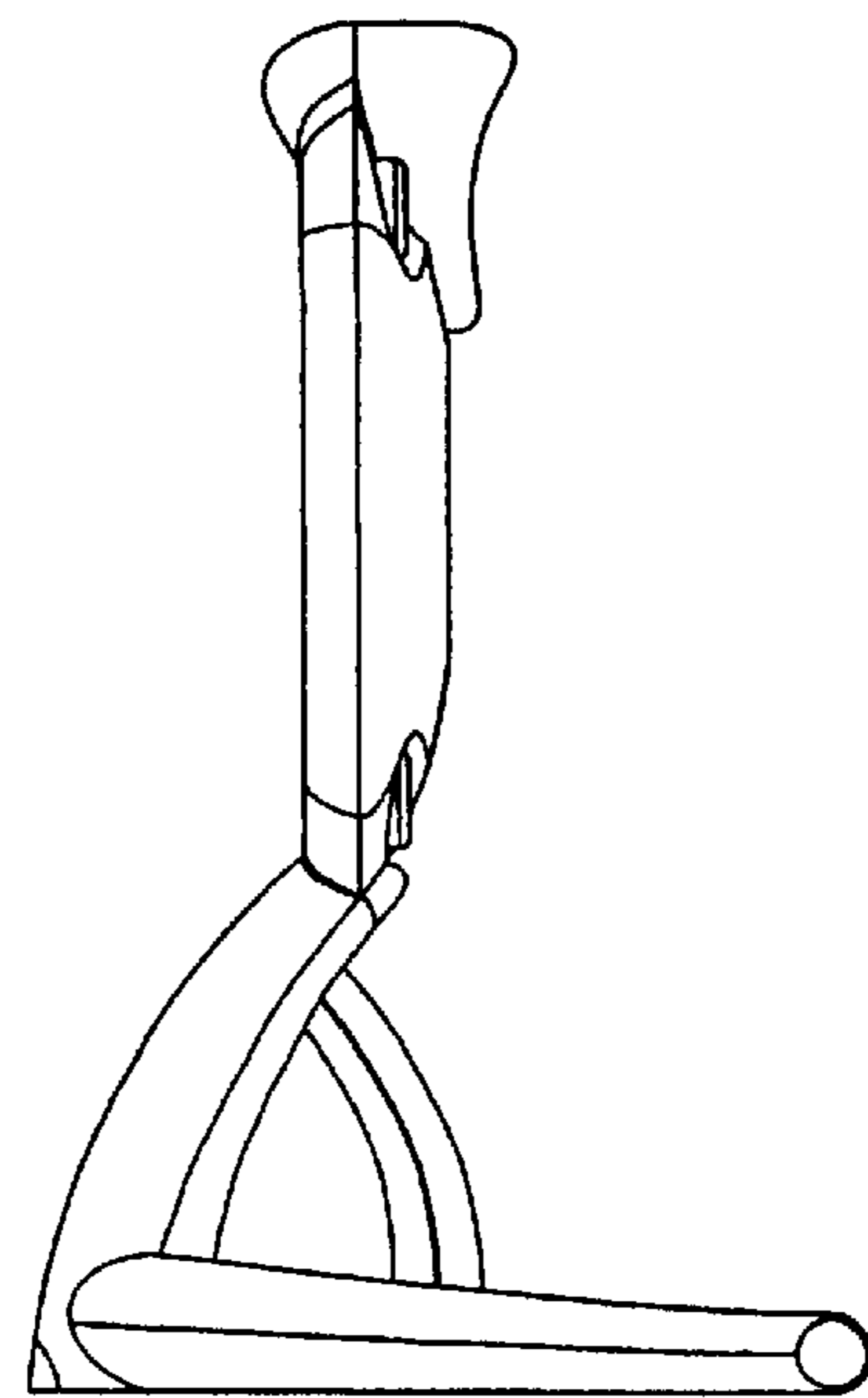


FIG. 5

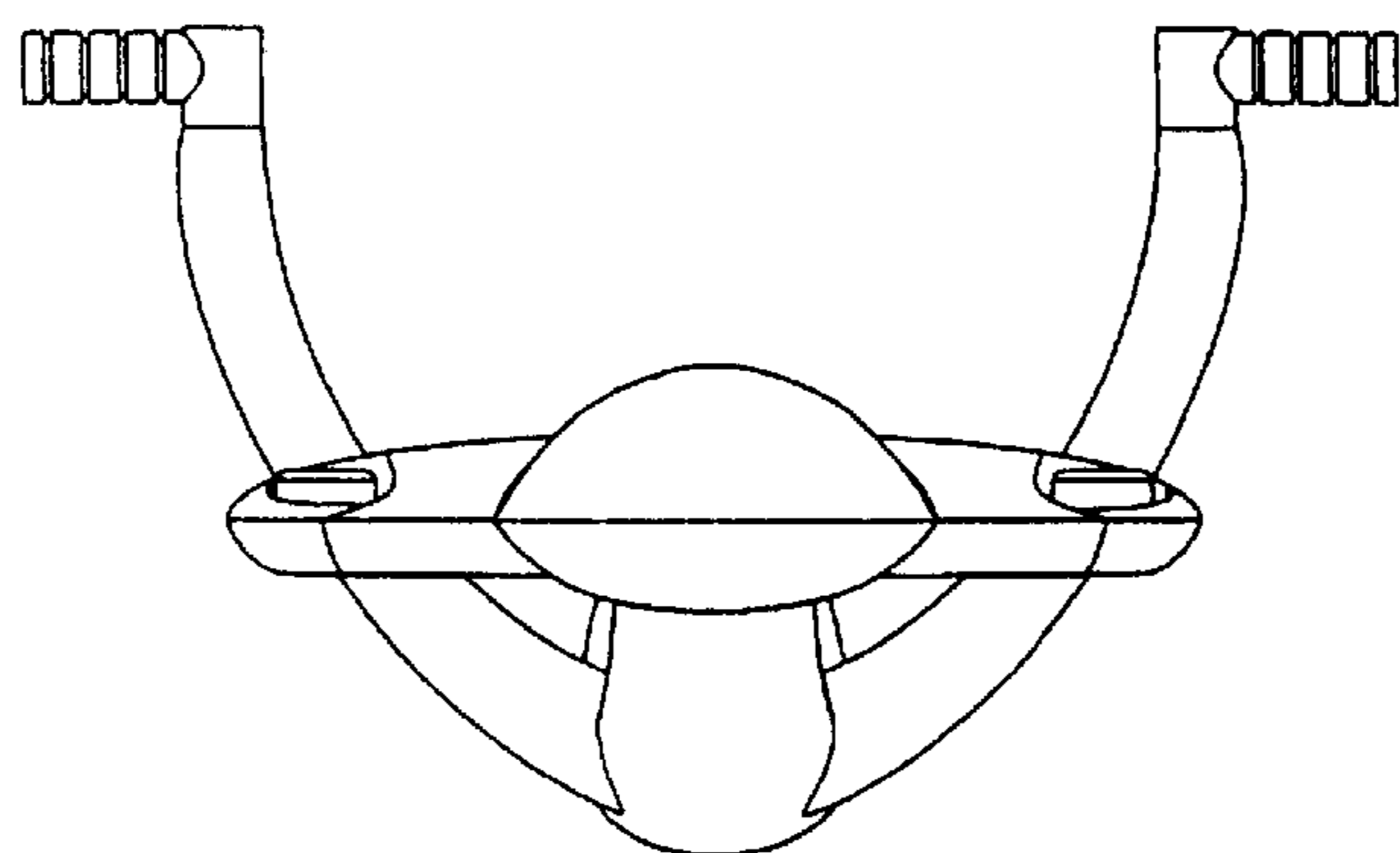


FIG. 6

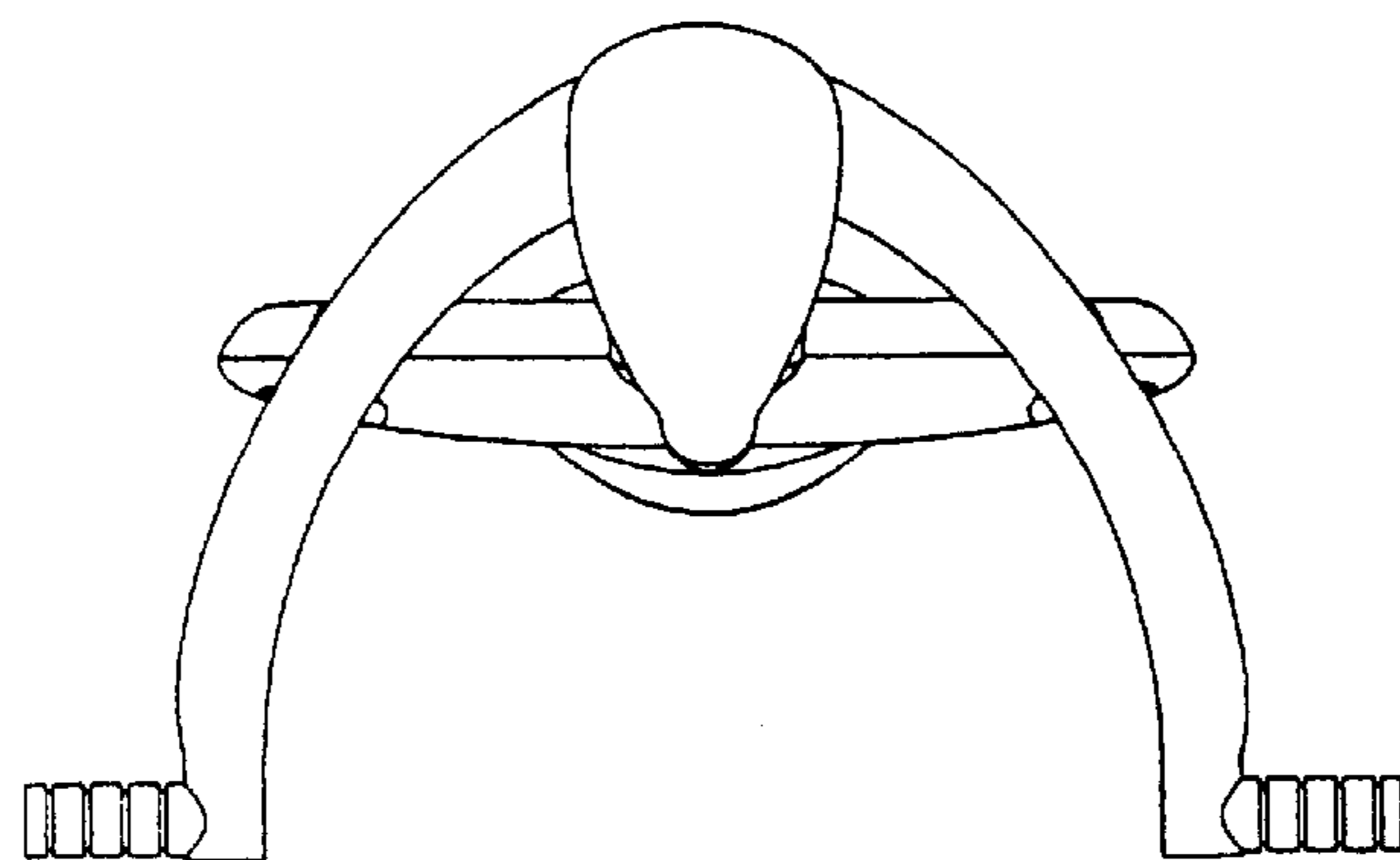


FIG. 7