

US00D524768S

(12) **United States Design Patent**
Reza et al.

(10) **Patent No.:** **US D524,768 S**

(45) **Date of Patent:** **** Jul. 11, 2006**

(54) **TELEVISION SET**

(75) Inventors: **Ana Reza**, Sunnyvale, CA (US);
Timothy Roberts, Sunnyvale, CA (US)

(73) Assignee: **Hannspree, Inc.**, Taipei (TW)

(**) Term: **14 Years**

(21) Appl. No.: **29/230,638**

(22) Filed: **May 25, 2005**

(30) **Foreign Application Priority Data**

Dec. 7, 2004 (TW) 93307397

(51) **LOC (8) Cl.** **14-03**

(52) **U.S. Cl.** **D14/126; D14/132**

(58) **Field of Classification Search** D14/125-134,
D14/239, 371, 136, 374-377; 312/7.2; 348/836,
348/838, 180, 184, 325, 739; 341/12; 248/917-924,
248/465; 345/104, 133, 156, 168, 87, 173;
720/605, 669, 600, 655; 369/99, 197; 455/344-347
See application file for complete search history.

(56) **References Cited**

U.S. PATENT DOCUMENTS

D163,157 S * 5/1951 Adler D14/132
D284,473 S * 7/1986 Ohtsu D14/132
4,918,632 A * 4/1990 York 361/680
5,109,354 A * 4/1992 Yamashita et al. 708/110

D355,170 S * 2/1995 Mizusugi et al. D14/336
D359,306 S * 6/1995 Lande et al. D14/345
D424,534 S * 5/2000 Priestman et al. D14/336
D430,117 S * 8/2000 Sachs et al. D14/345
D449,606 S * 10/2001 Lee et al. D14/345
D473,559 S * 4/2003 Borsboom et al. D14/375
D476,654 S * 7/2003 Zuege et al. D14/371
D494,165 S * 8/2004 Yokota D14/341
D496,662 S * 9/2004 Borsboom D14/371

* cited by examiner

Primary Examiner—Raphael Barkai

(74) *Attorney, Agent, or Firm*—Troxell Law Office, PLLC

(57) **CLAIM**

The ornamental design for a television set, as shown and described.

DESCRIPTION

FIG. 1 is a perspective view of television set showing our design;

FIG. 2 is another perspective view showing the status in use;

FIG. 3 is a front view thereof;

FIG. 4 is a rear side view thereof;

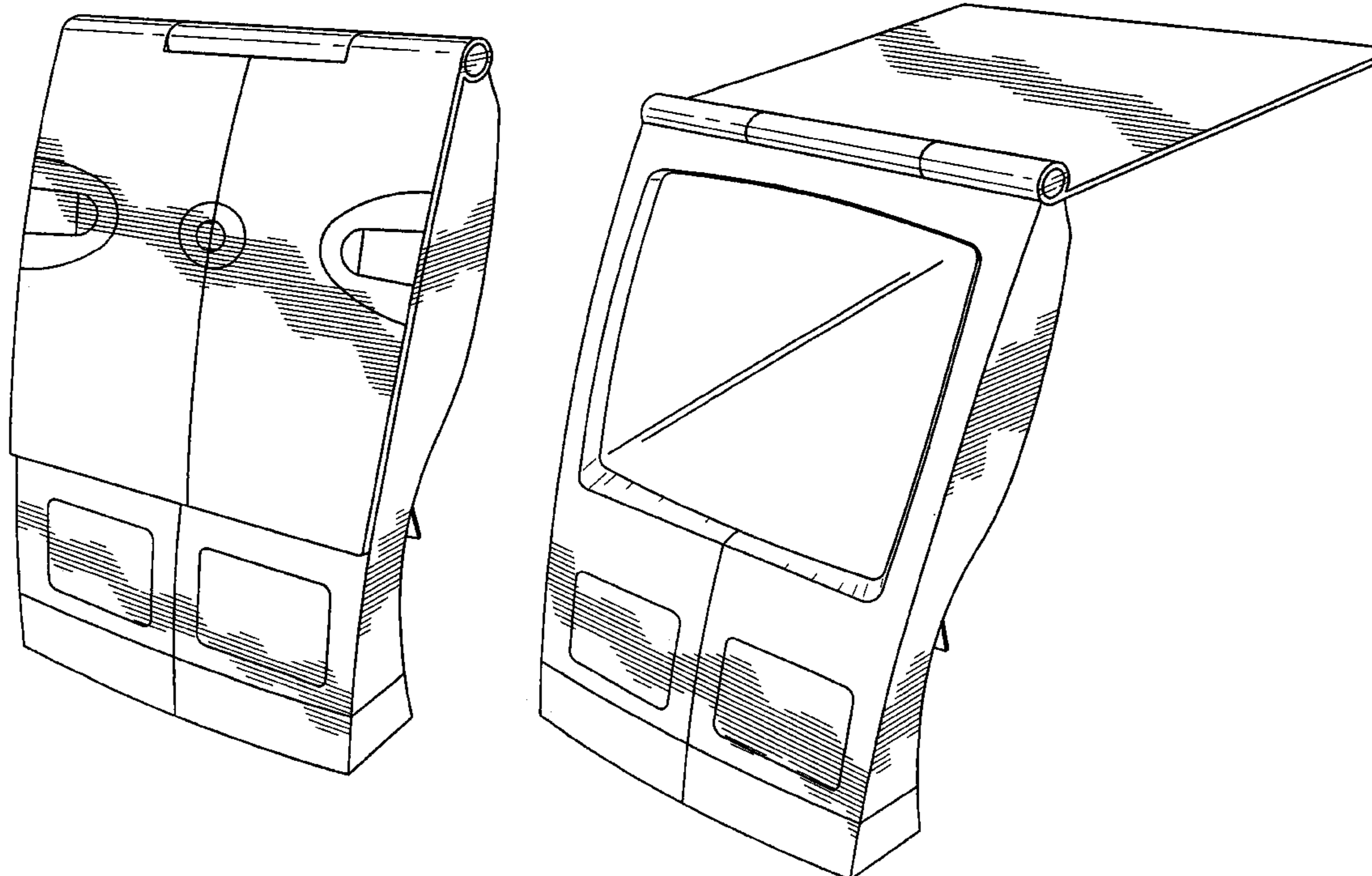
FIG. 5 is a top view thereof;

FIG. 6 is a bottom view thereof;

FIG. 7 is a left side view thereof; and,

FIG. 8 is a right side view thereof.

1 Claim, 6 Drawing Sheets



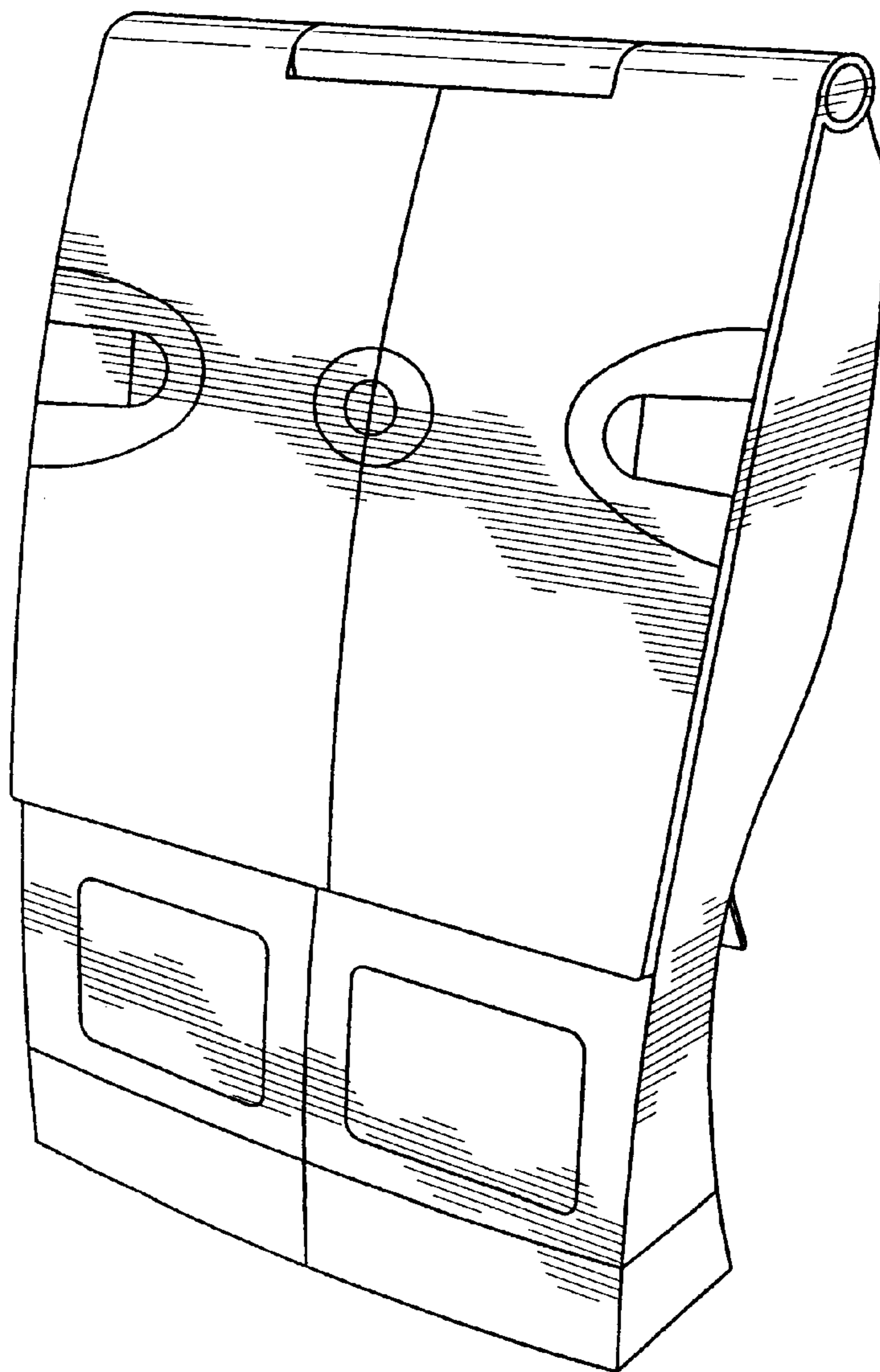


FIG. 1

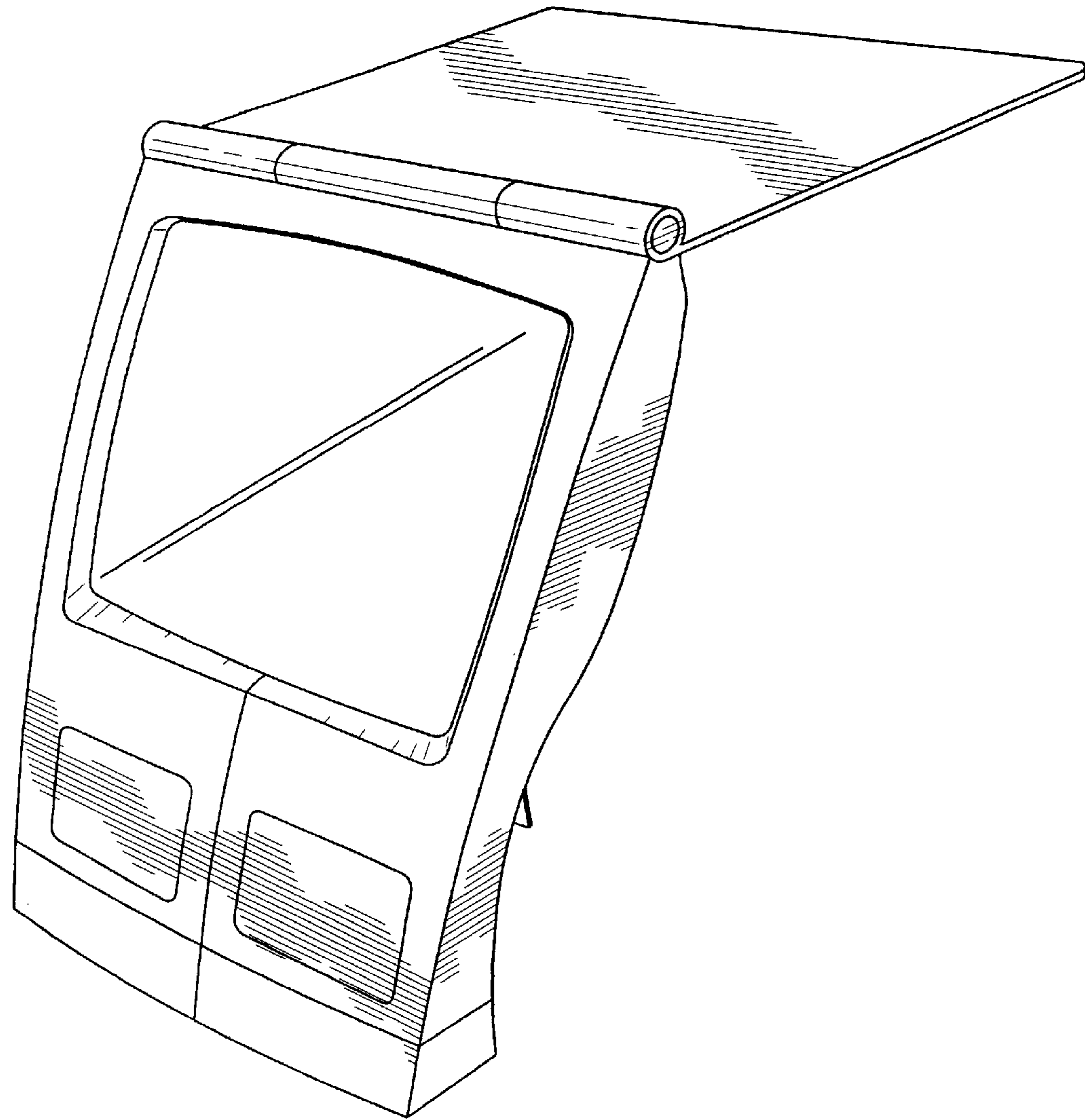


FIG. 2

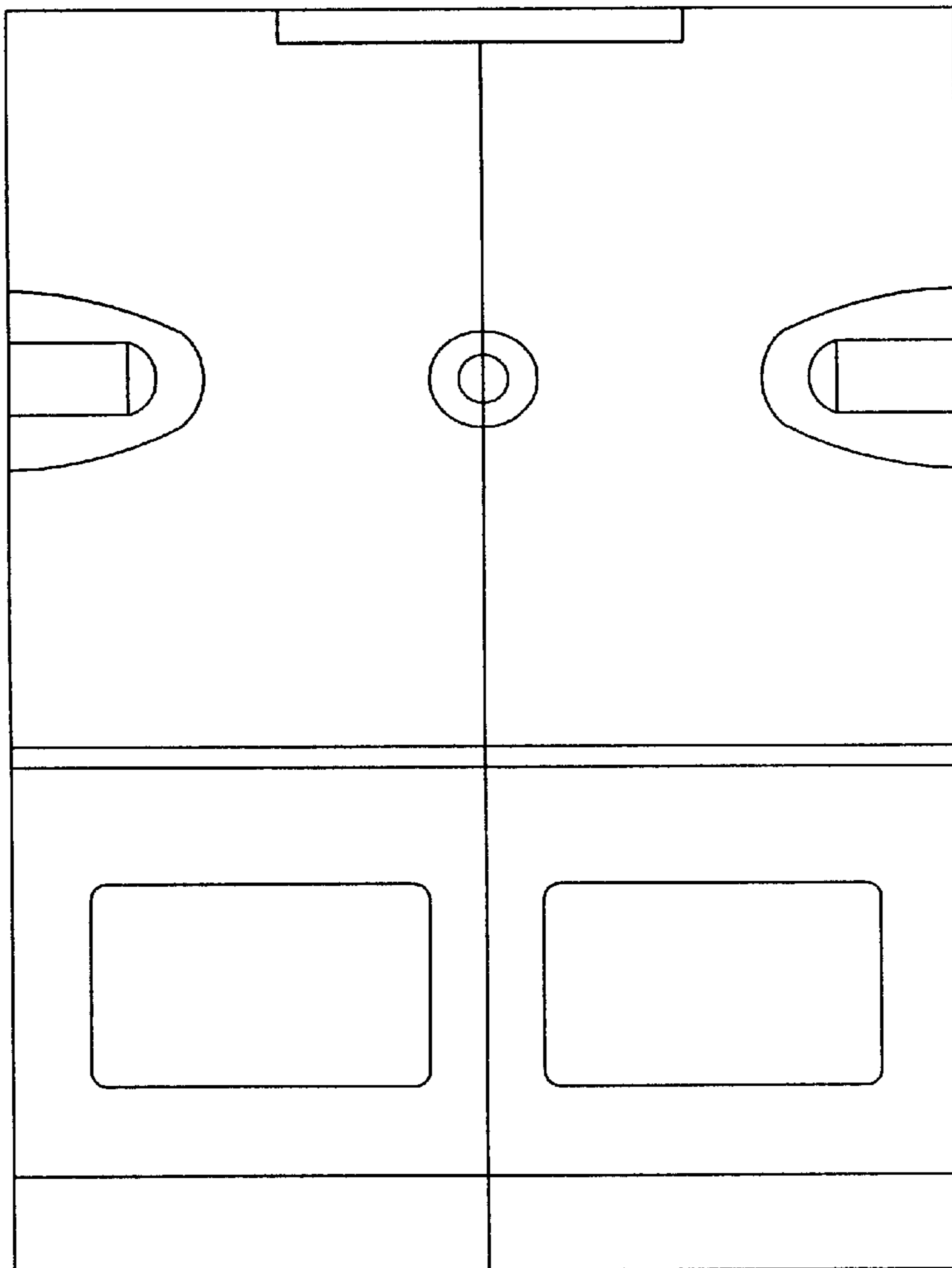


FIG. 3

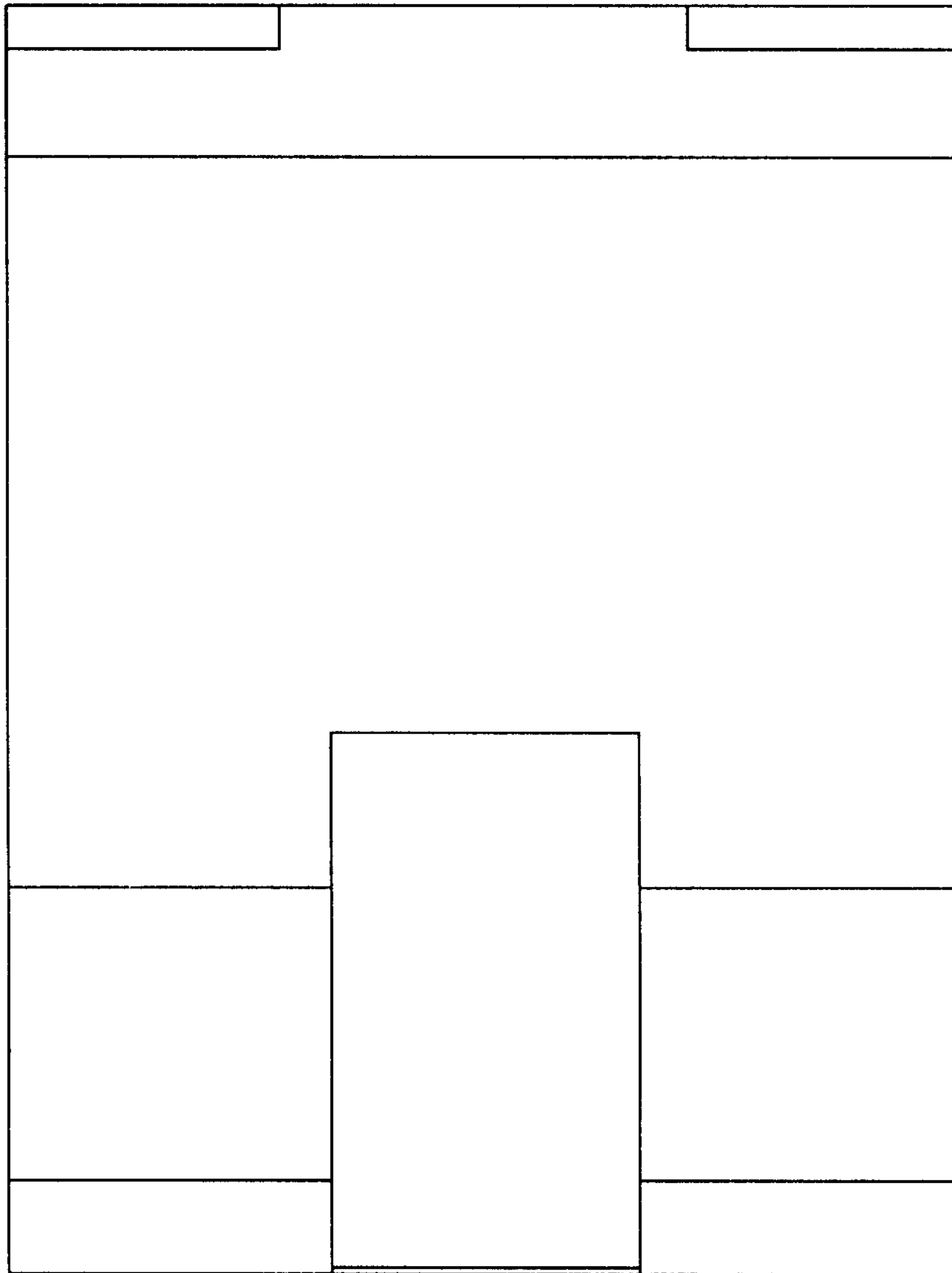


FIG. 4

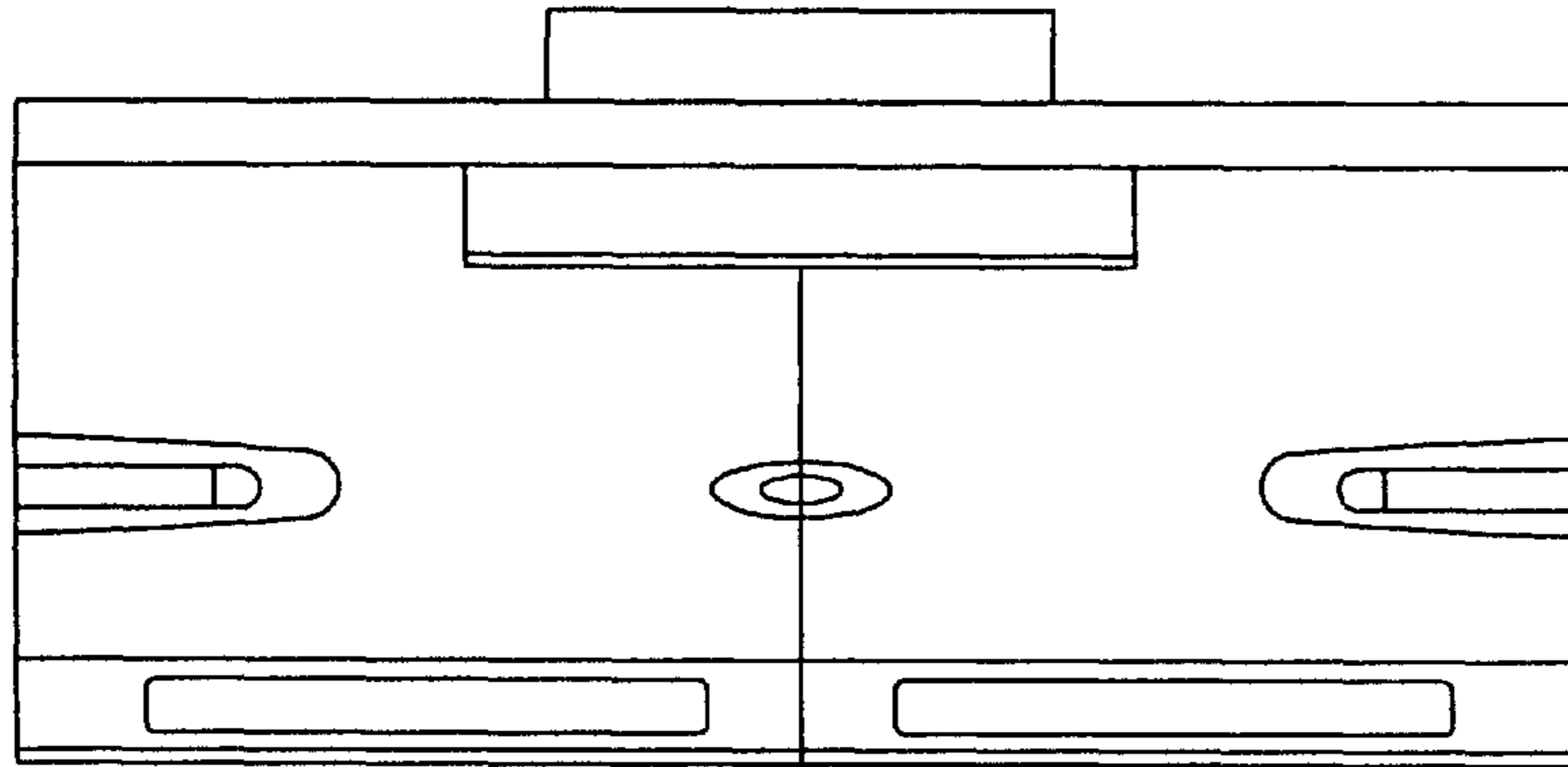


FIG. 5

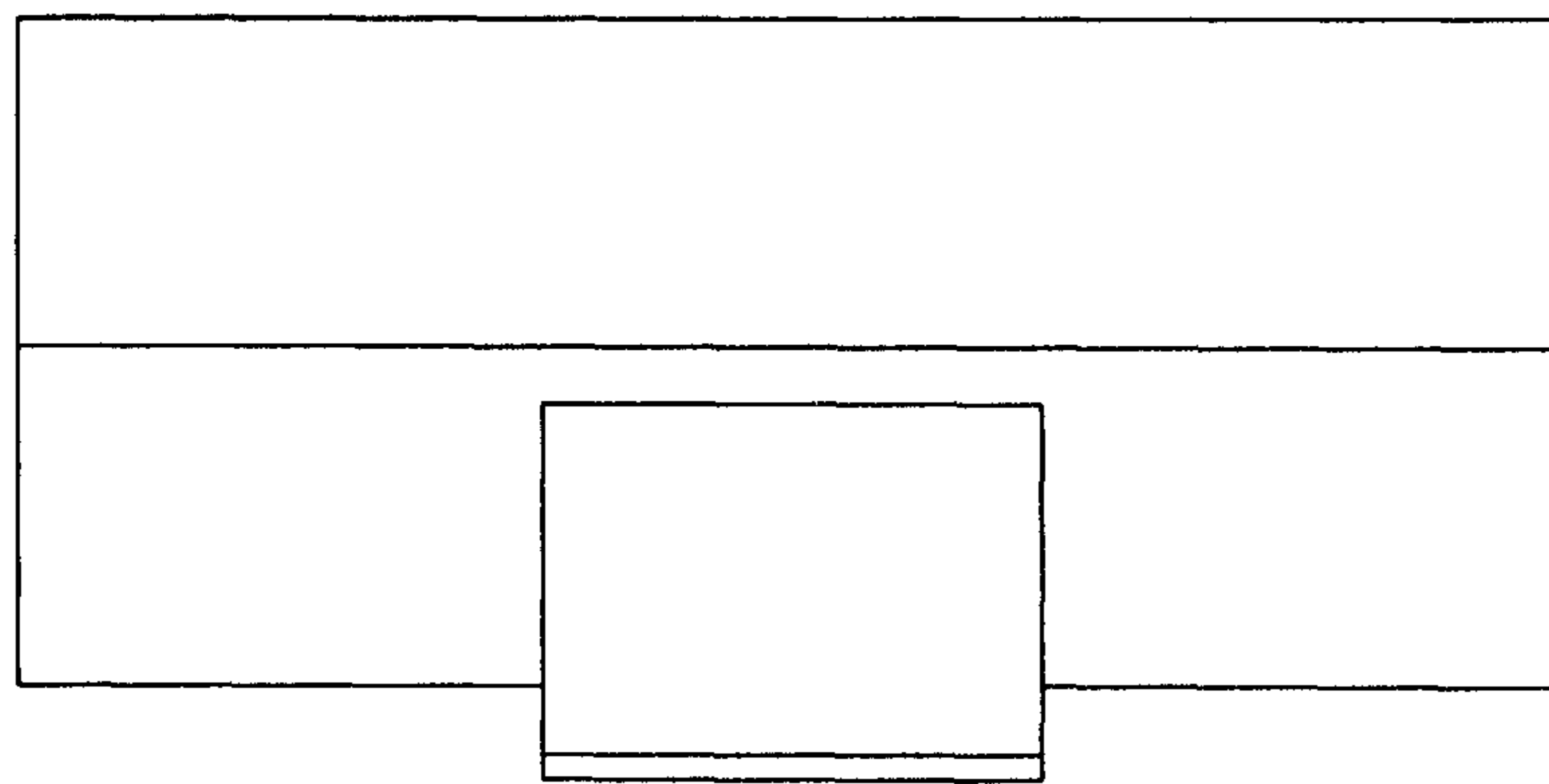


FIG. 6

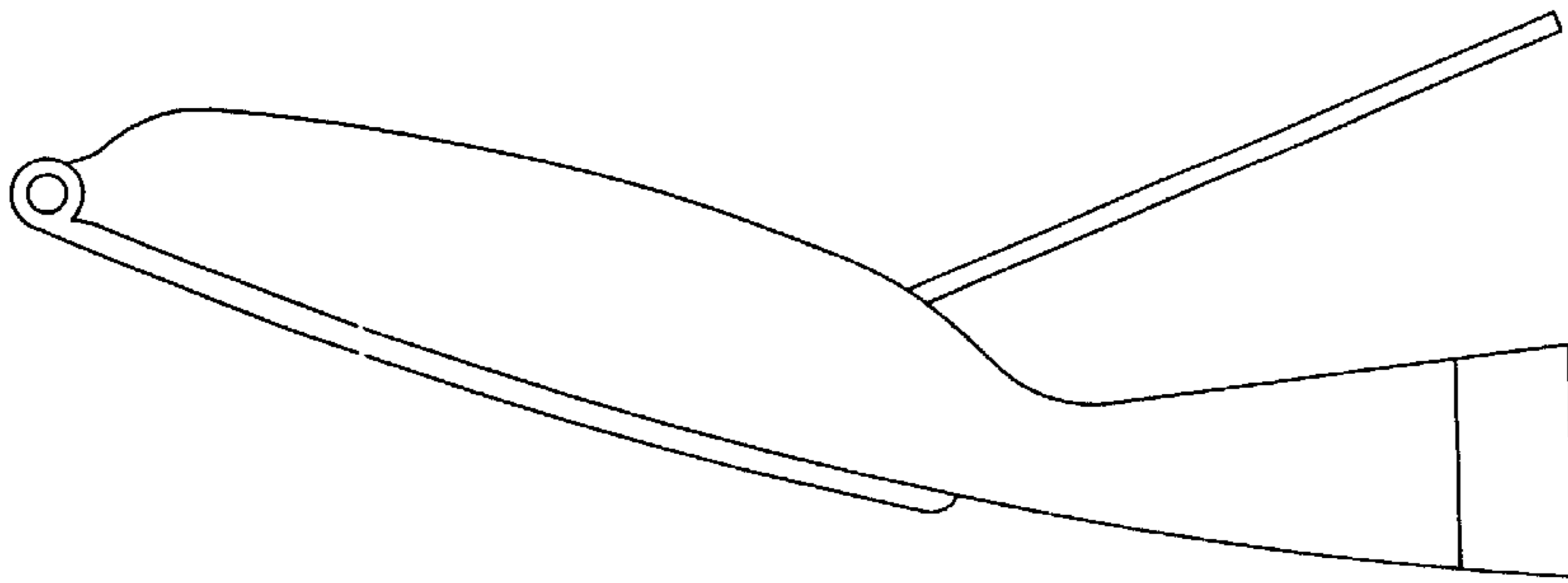


FIG. 8

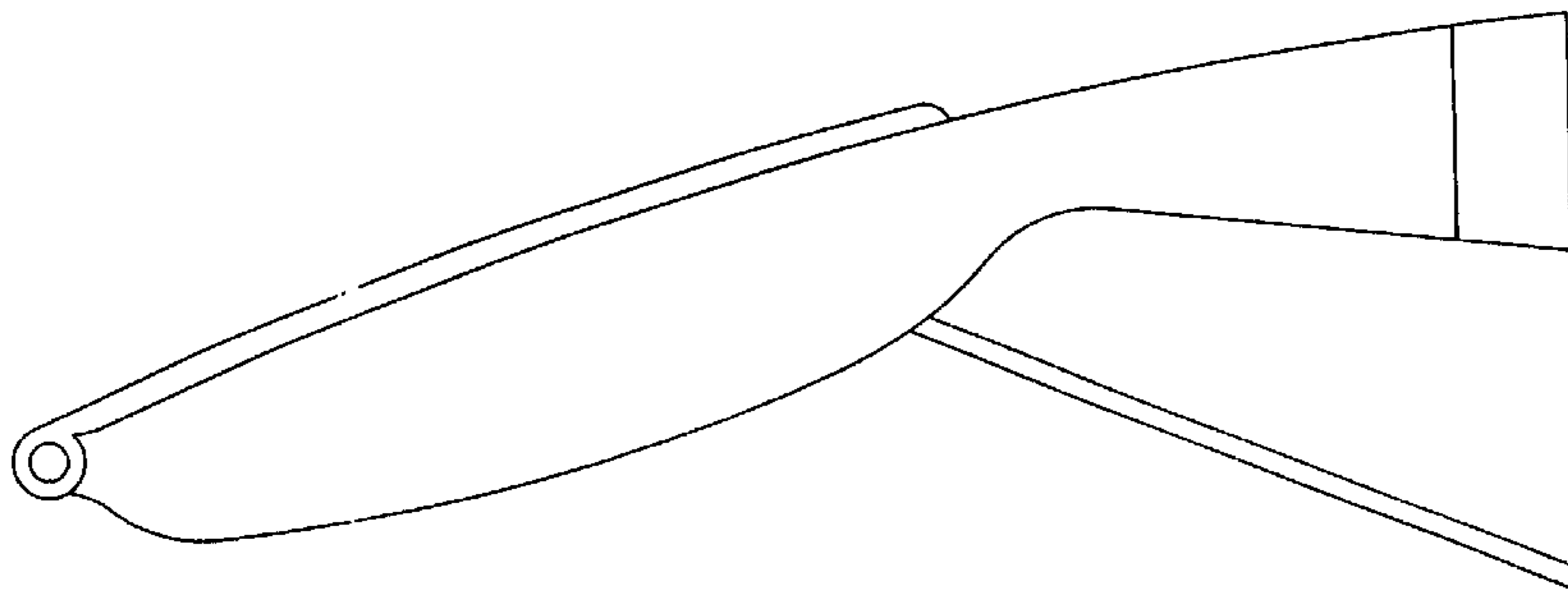


FIG. 7