



US00D524767S

(12) **United States Design Patent**
Imboden et al.

(10) **Patent No.:** **US D524,767 S**
(45) **Date of Patent:** **** Jul. 11, 2006**

(54) **TELEVISION SET**

(75) Inventors: **Ethan Imboden**, Sunnyvale, CA (US);
Timothy Roberts, Sunnyvale, CA (US)

(73) Assignee: **Hannspree, Inc.**, Taipei (TW)

(**) Term: **14 Years**

(21) Appl. No.: **29/230,637**

(22) Filed: **May 25, 2005**

(30) **Foreign Application Priority Data**

Dec. 3, 2004 (TW) 93307333

(51) **LOC (8) Cl.** **14-03**

(52) **U.S. Cl.** **D14/126**

(58) **Field of Classification Search** D14/125-234,
D14/239, 371, 136, 374-377; 312/7.2; 348/836,
348/838, 180, 184, 325, 739; 341/12; 248/917-924,
248/465; 345/104, 133, 156, 168, 87, 173;
720/605, 669, 600, 655; 369/99, 197; 455/344-347
See application file for complete search history.

(56) **References Cited**

U.S. PATENT DOCUMENTS

3,647,834 A * 3/1972 Martin 556/130
D388,077 S * 12/1997 Starck D14/126
5,787,627 A * 8/1998 Snoke et al. 40/791

6,082,033 A * 7/2000 Skinner 40/750
D434,763 S * 12/2000 Jobs et al. D14/375
6,216,377 B1 * 4/2001 Painsith 40/753
D483,364 S * 12/2003 Olson et al. D14/375
D484,133 S * 12/2003 Liu et al. D14/375
D494,970 S * 8/2004 Chen D14/371
D495,707 S * 9/2004 Hoehn D14/374
D503,707 S * 4/2005 Boyer, Jr. D14/239

* cited by examiner

Primary Examiner—Raphael Barkai

(74) *Attorney, Agent, or Firm*—Troxell Law Office, PLLC

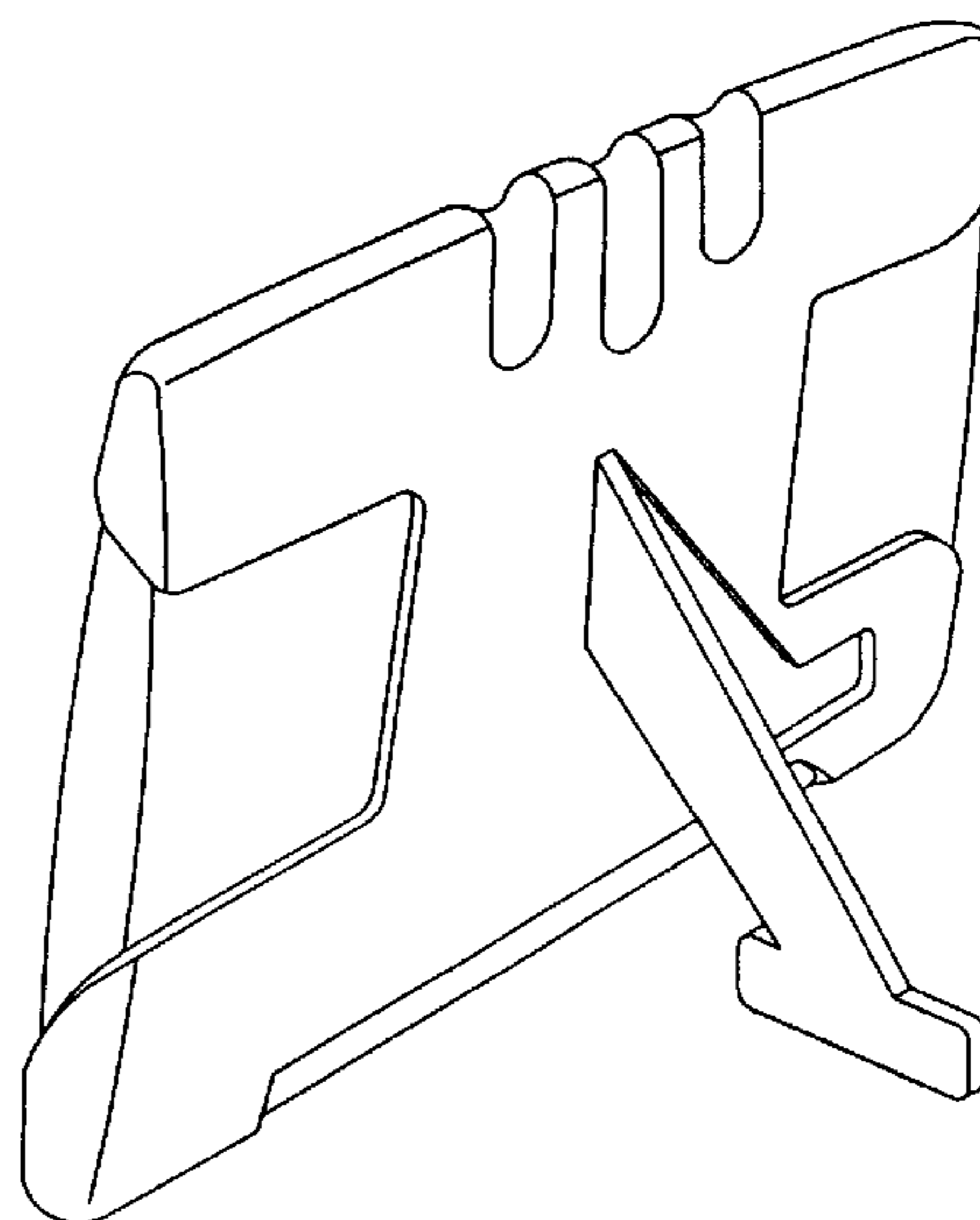
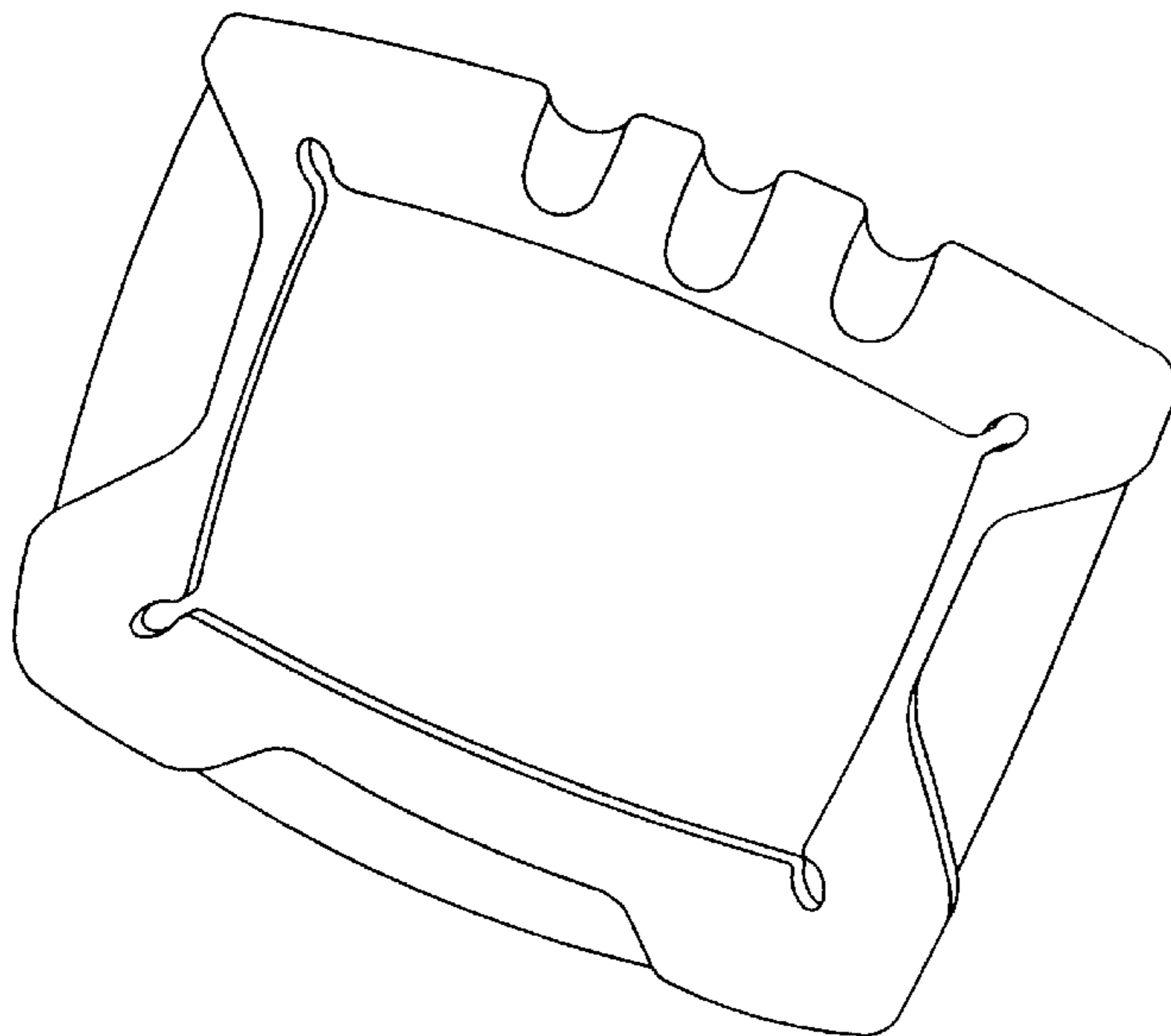
(57) **CLAIM**

The ornamental design for a television set, as shown and described.

DESCRIPTION

FIG. 1 is a perspective view of television set showing our design;
FIG. 2 is another rear side perspective view thereof;
FIG. 3 is a front view thereof;
FIG. 4 is a rear side view thereof;
FIG. 5 is a top view thereof;
FIG. 6 is a bottom view thereof;
FIG. 7 is a left side view thereof; and,
FIG. 8 is a right side view thereof.

1 Claim, 5 Drawing Sheets



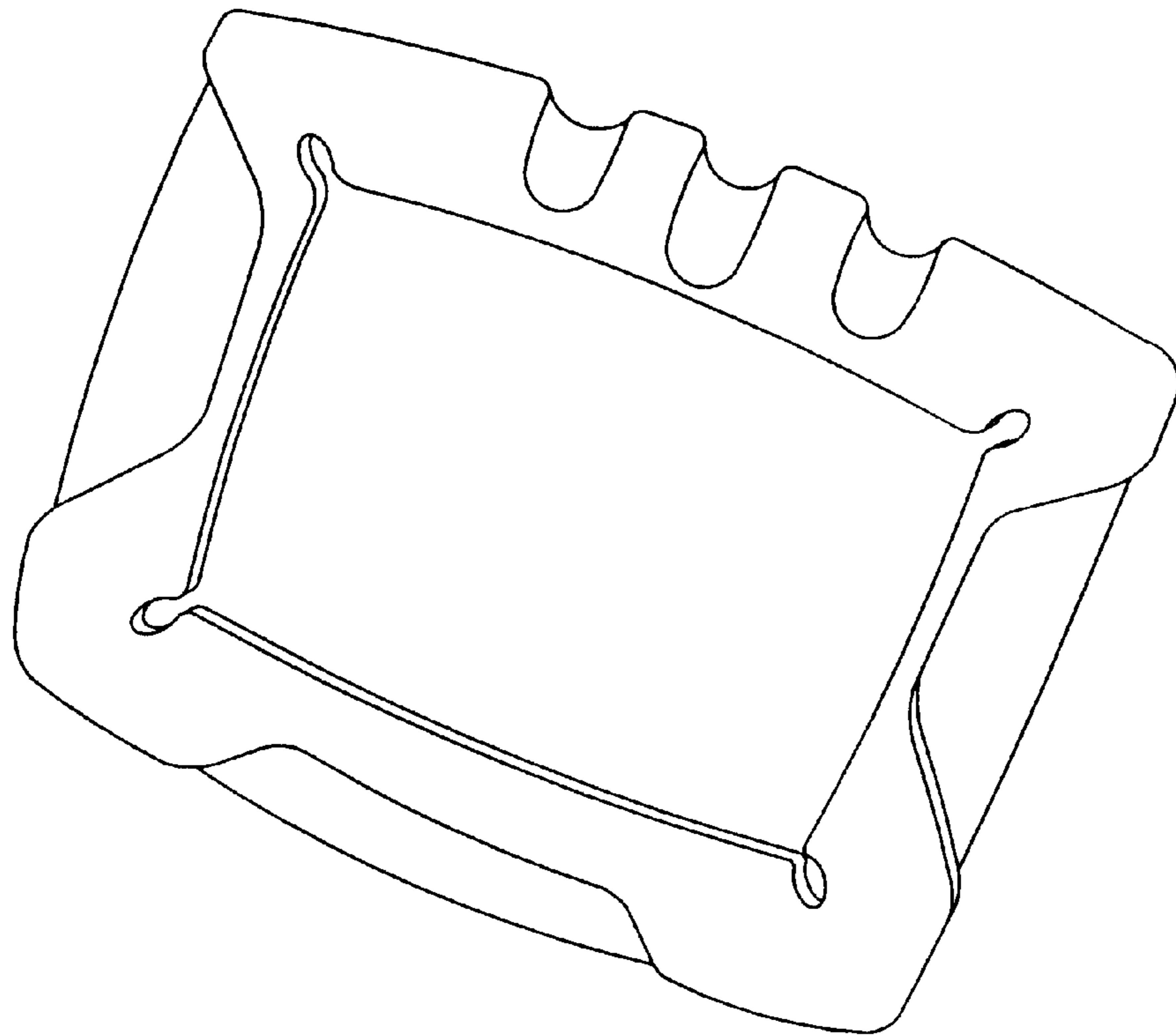


FIG. 1

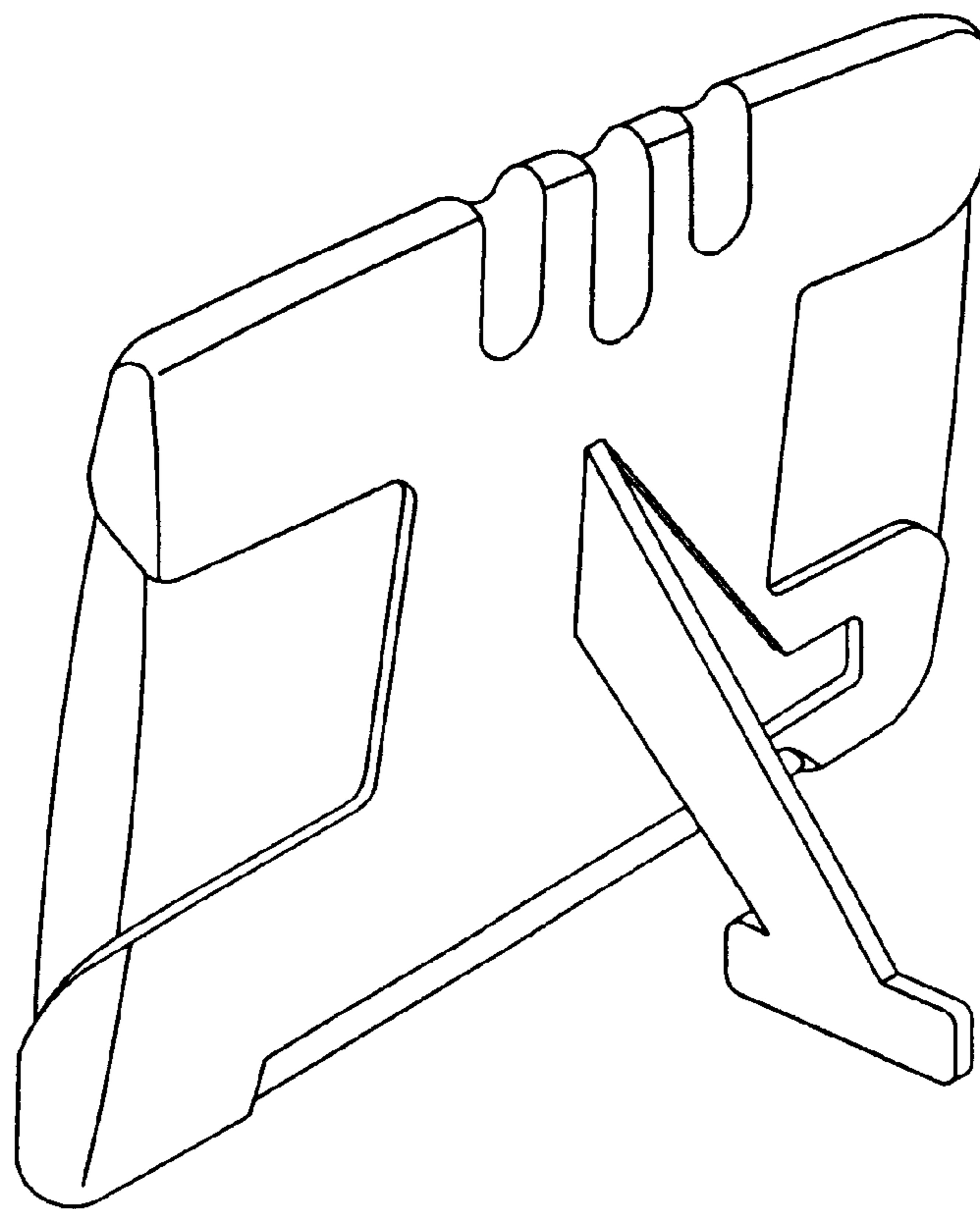


FIG. 2

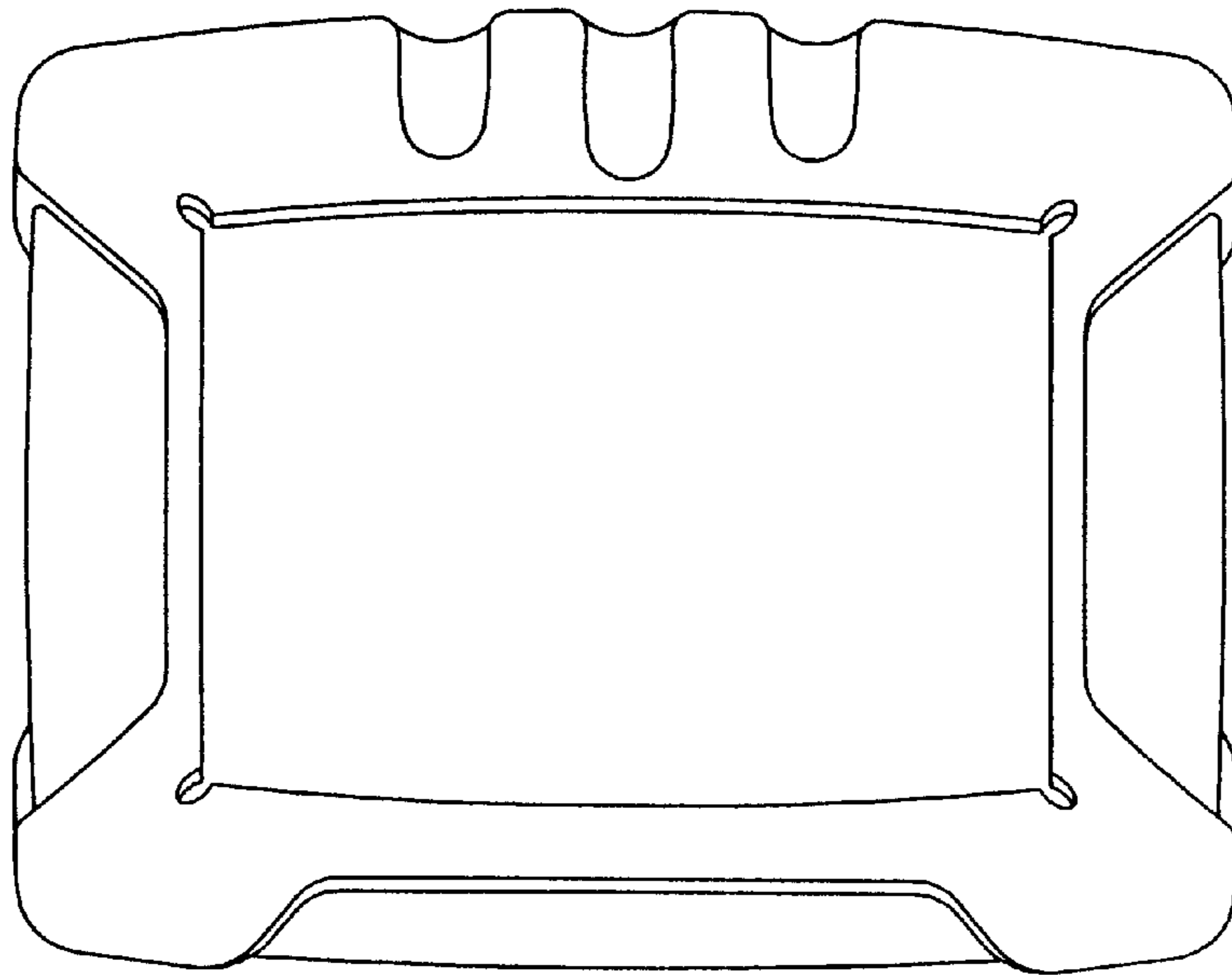


FIG. 3

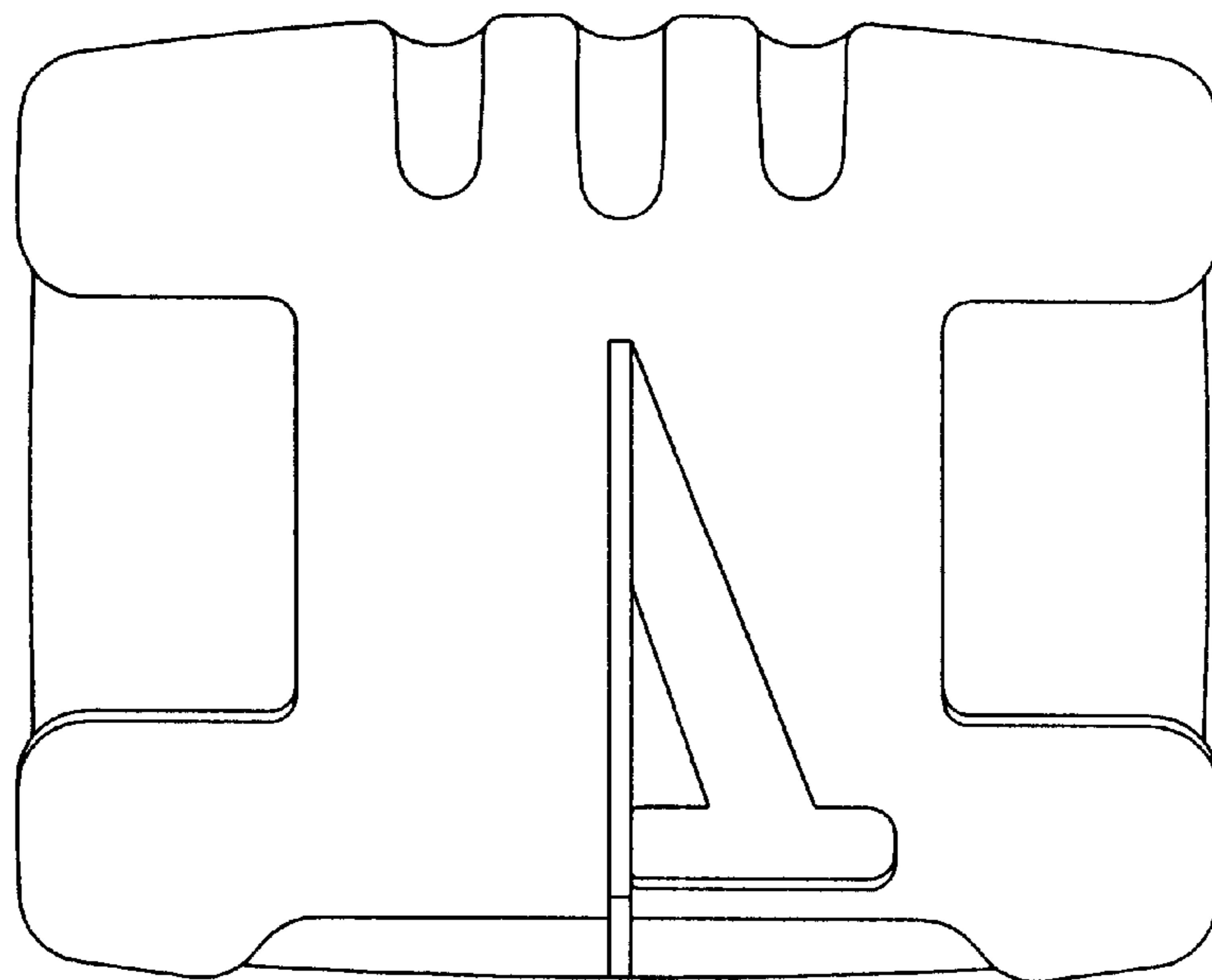


FIG. 4

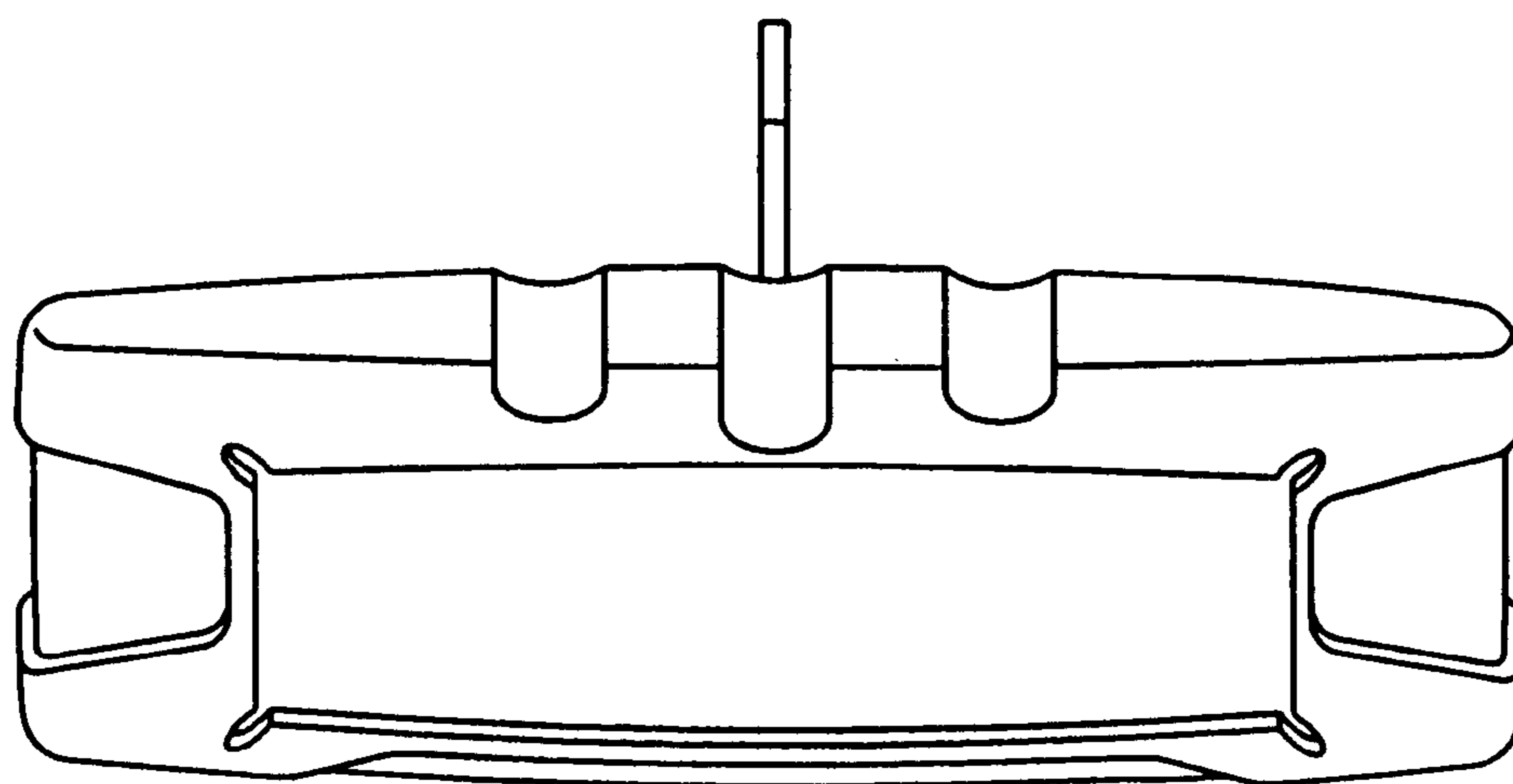


FIG. 5

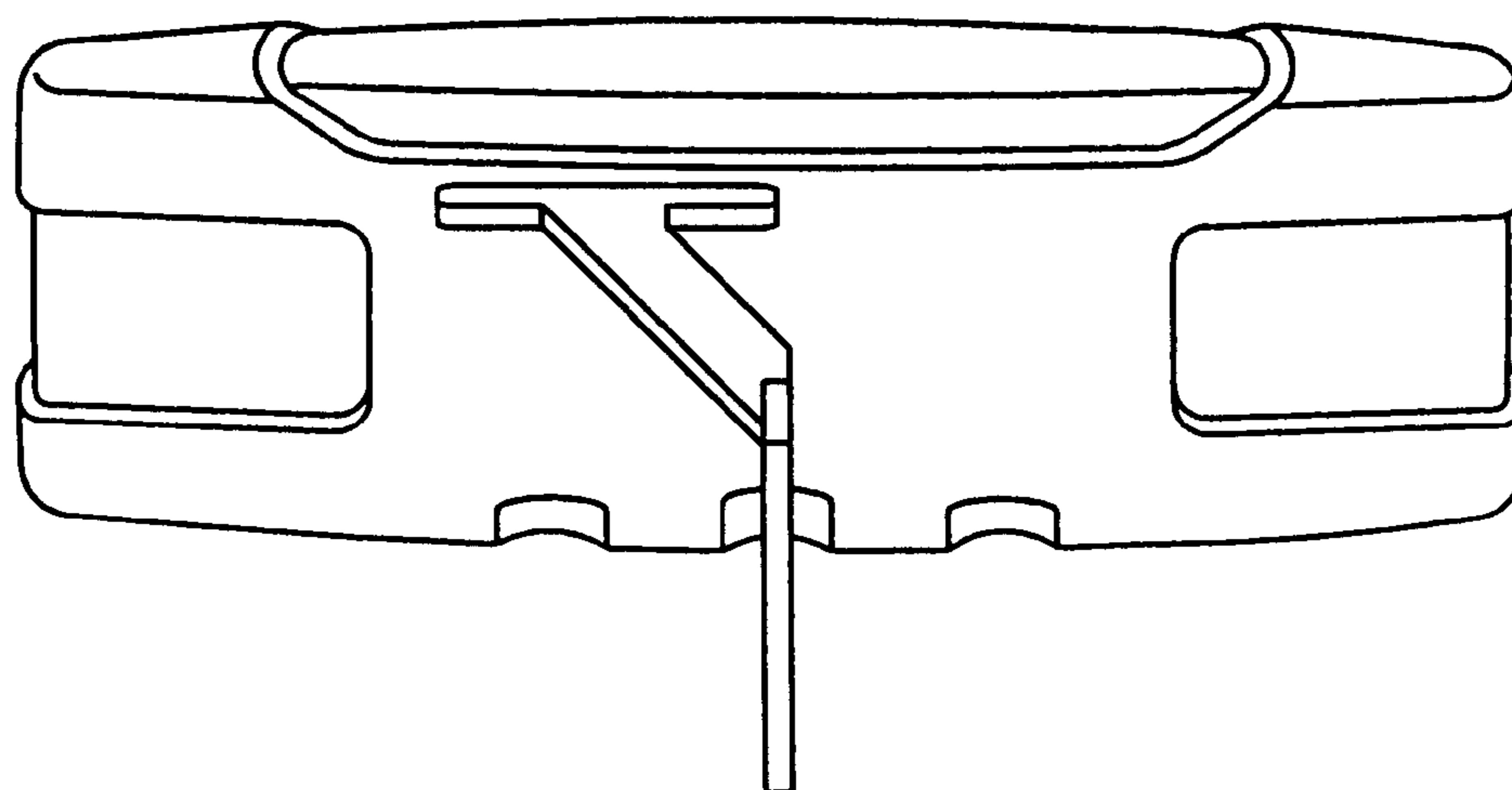


FIG. 6

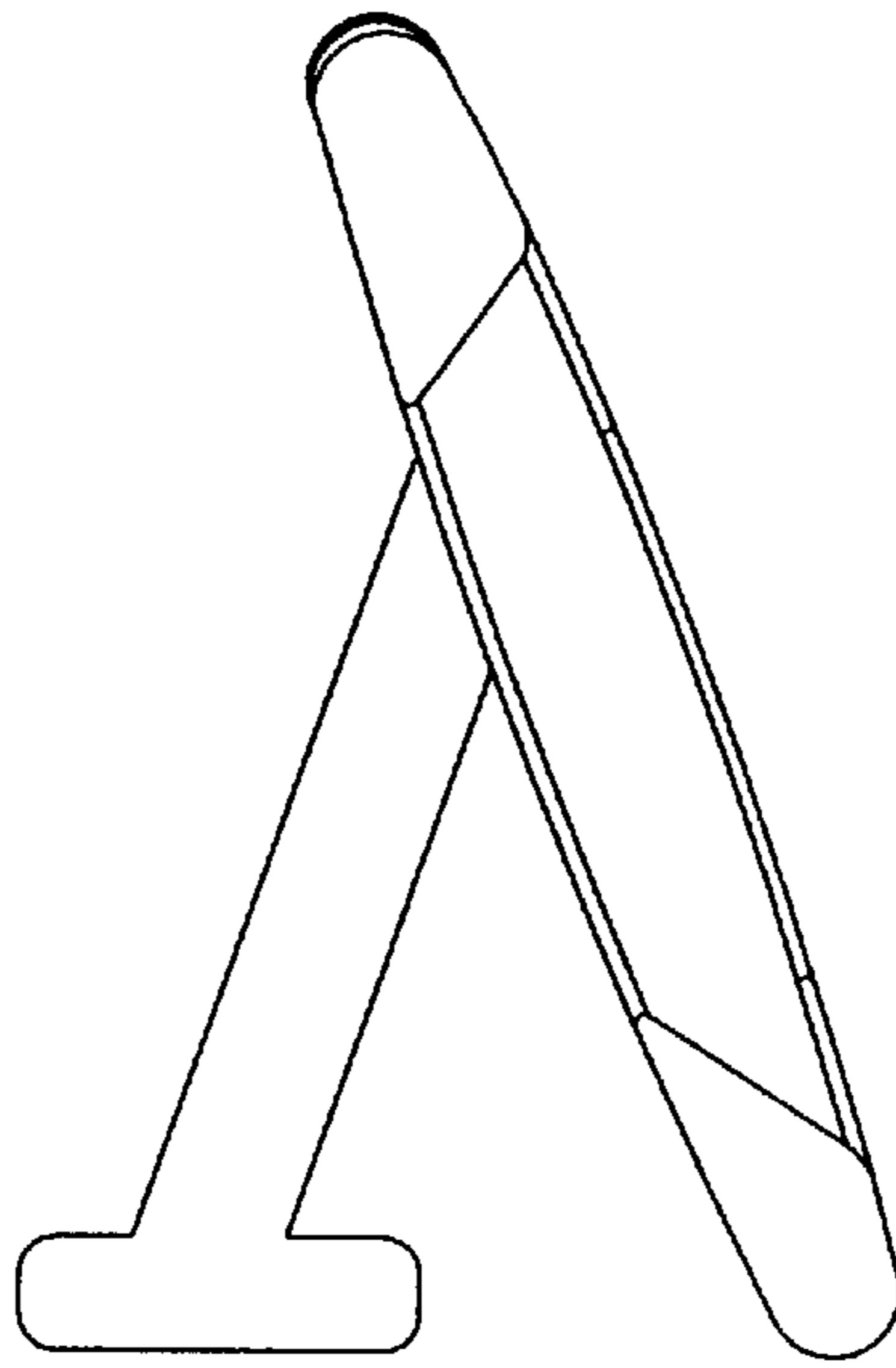


FIG. 7

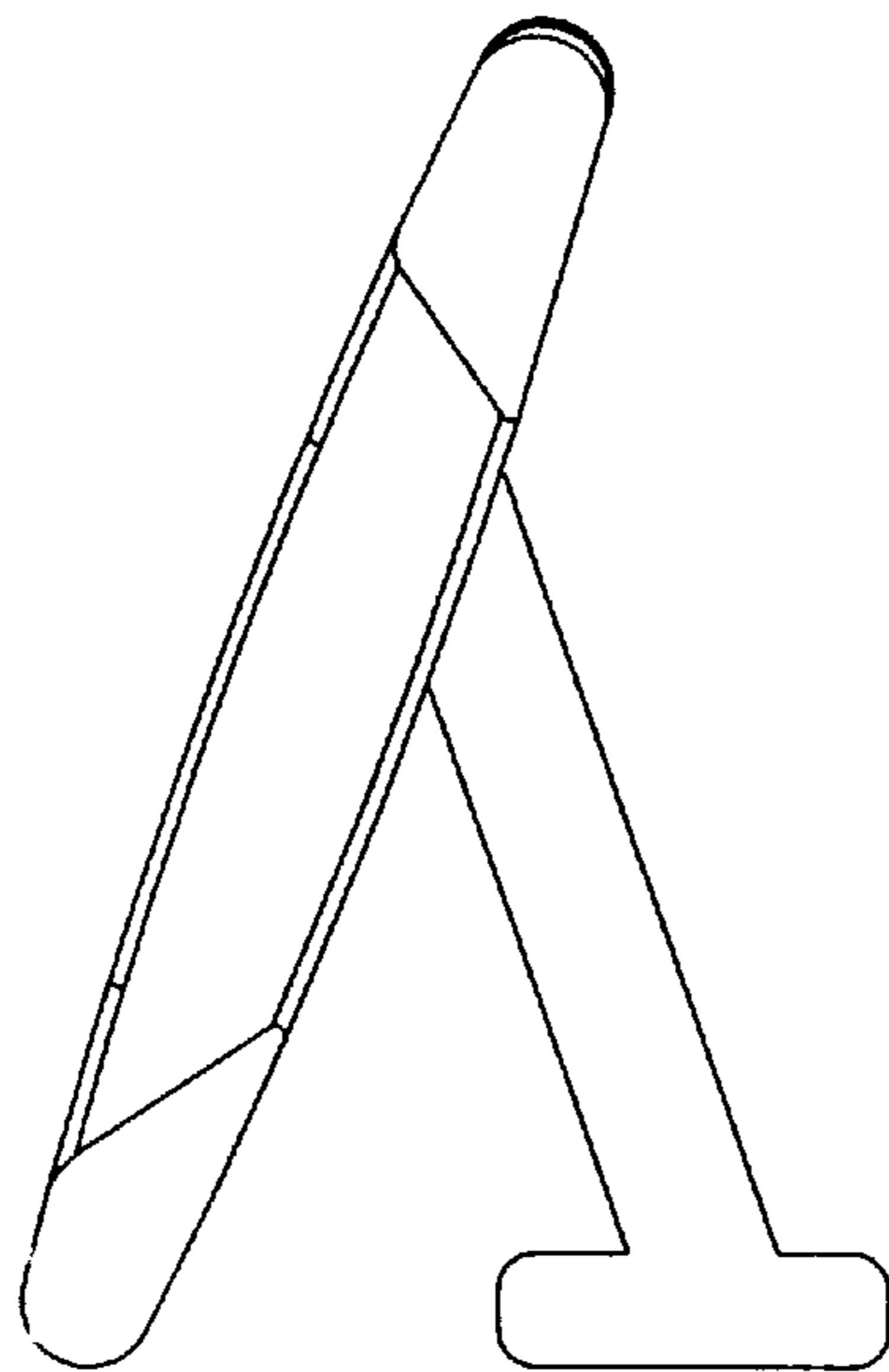


FIG. 8