

US00D524765S

(12) **United States Design Patent**
Lin

(10) **Patent No.:** **US D524,765 S**

(45) **Date of Patent:** **** Jul. 11, 2006**

(54) **TELEVISION SET**

(75) Inventor: **Roger Lin**, Taipei (TW)

(73) Assignee: **Hannspree, Inc.**, Taipei (TW)

(**) Term: **14 Years**

(21) Appl. No.: **29/227,502**

(22) Filed: **Apr. 13, 2005**

(30) **Foreign Application Priority Data**

Dec. 3, 2004 (TW) 93307312

(51) **LOC (8) Cl.** **14-03**

(52) **U.S. Cl.** **D14/126; D14/129**

(58) **Field of Classification Search** D14/125-134,
D14/239, 371, 136, 374-377; 312/7.2; 348/836,
348/838, 180, 184, 325, 739; 341/12; 248/917-924,
248/465; 345/104, 133, 156, 168, 87, 173;
720/605, 669, 600, 655; 369/99, 197; 455/344-347
See application file for complete search history.

(56) **References Cited**

U.S. PATENT DOCUMENTS

D374,464 S * 10/1996 Hutchins D21/331

D385,590 S * 10/1997 Choi D21/515

D396,229 S * 7/1998 Williams D14/129
D407,983 S * 4/1999 Hui D10/15
D451,097 S * 11/2001 Schmeisser et al. D14/371
D454,563 S * 3/2002 Brown et al. D14/342
D460,055 S * 7/2002 Rosen D14/126
D483,366 S * 12/2003 Olson et al. D14/375
D489,371 S * 5/2004 Sarman D14/371
D495,702 S * 9/2004 Olson et al. D14/371
D500,034 S * 12/2004 Johnson D14/336
D502,152 S * 2/2005 Peng D14/126

* cited by examiner

Primary Examiner—Raphael Barkai

(74) *Attorney, Agent, or Firm*—Troxell Law Office, PLLC

(57) **CLAIM**

The ornamental design for a television set, as shown and described.

DESCRIPTION

FIG. 1 is a perspective view of television set showing my design;

FIG. 2 is a front view thereof;

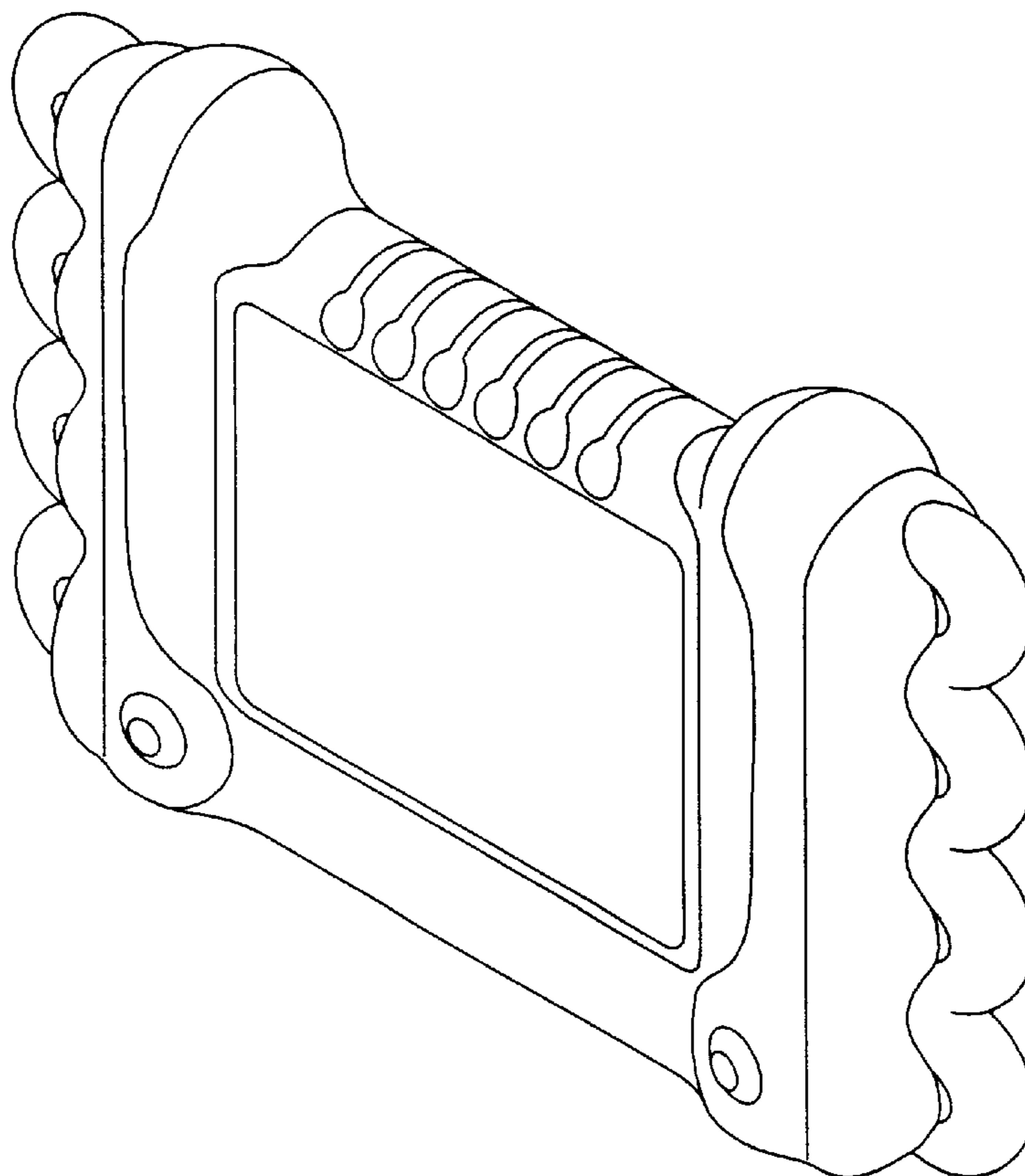
FIG. 3 is a right side view thereof;

FIG. 4 is a top view thereof;

FIG. 5 is a rear view thereof; and,

FIG. 6 is a left side view thereof.

1 Claim, 3 Drawing Sheets



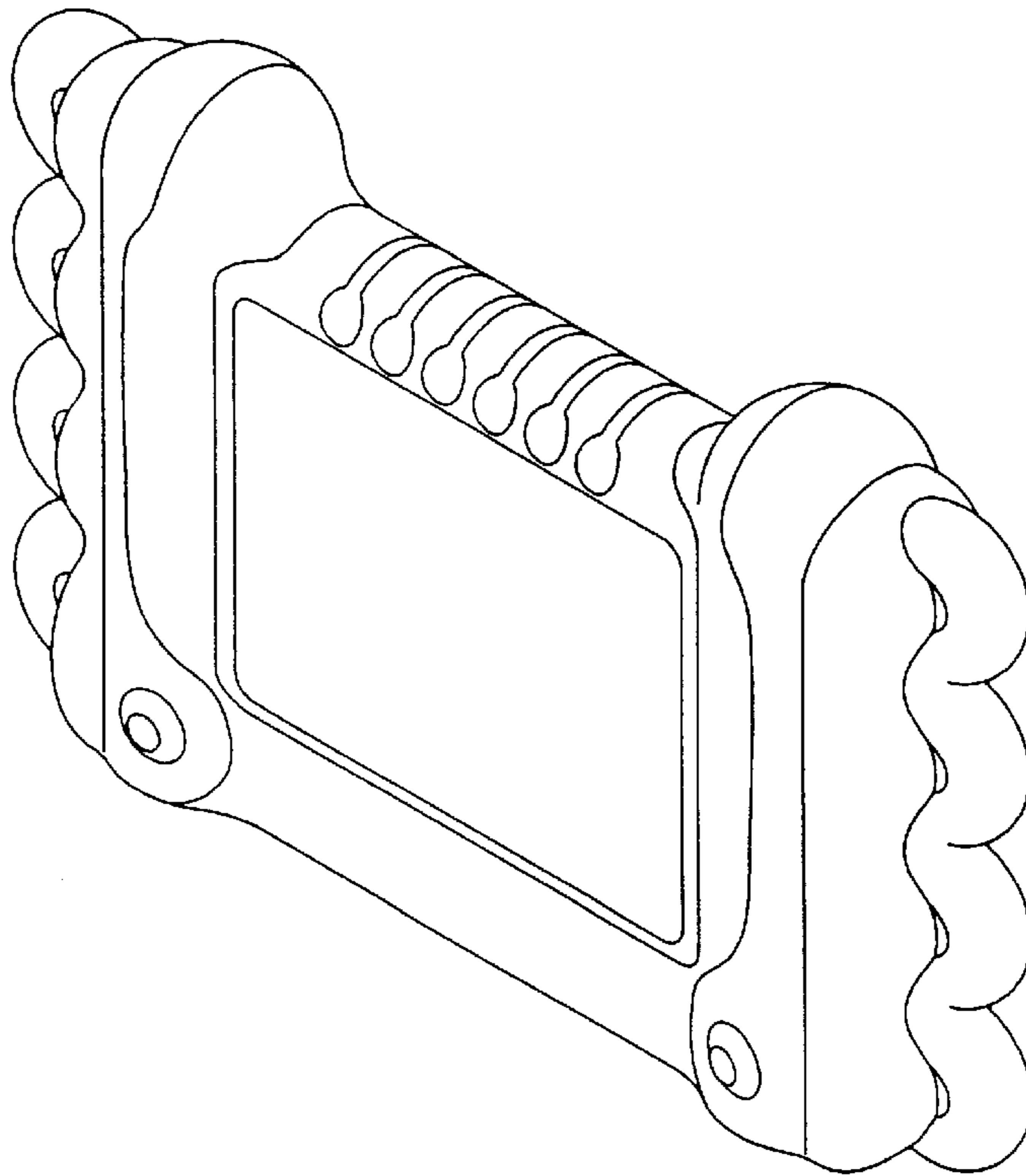


FIG. 1

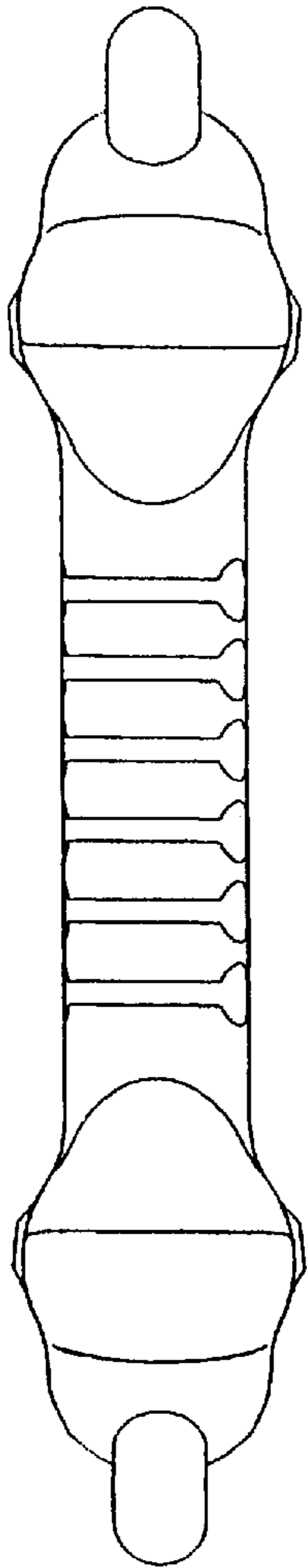


FIG. 4

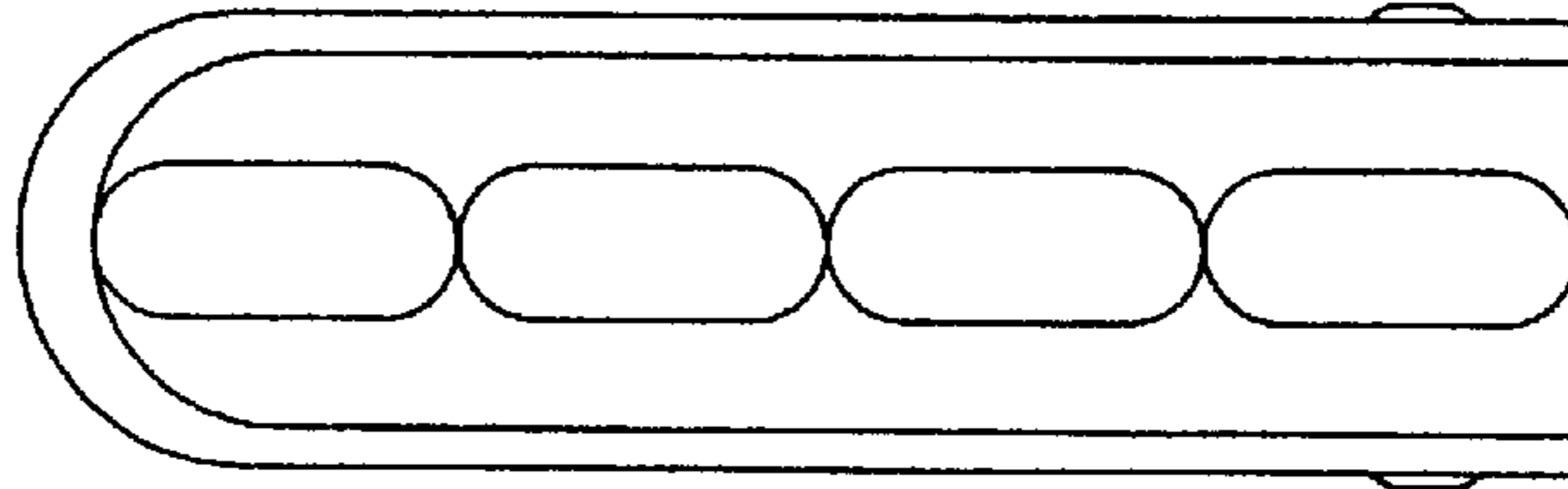


FIG. 3

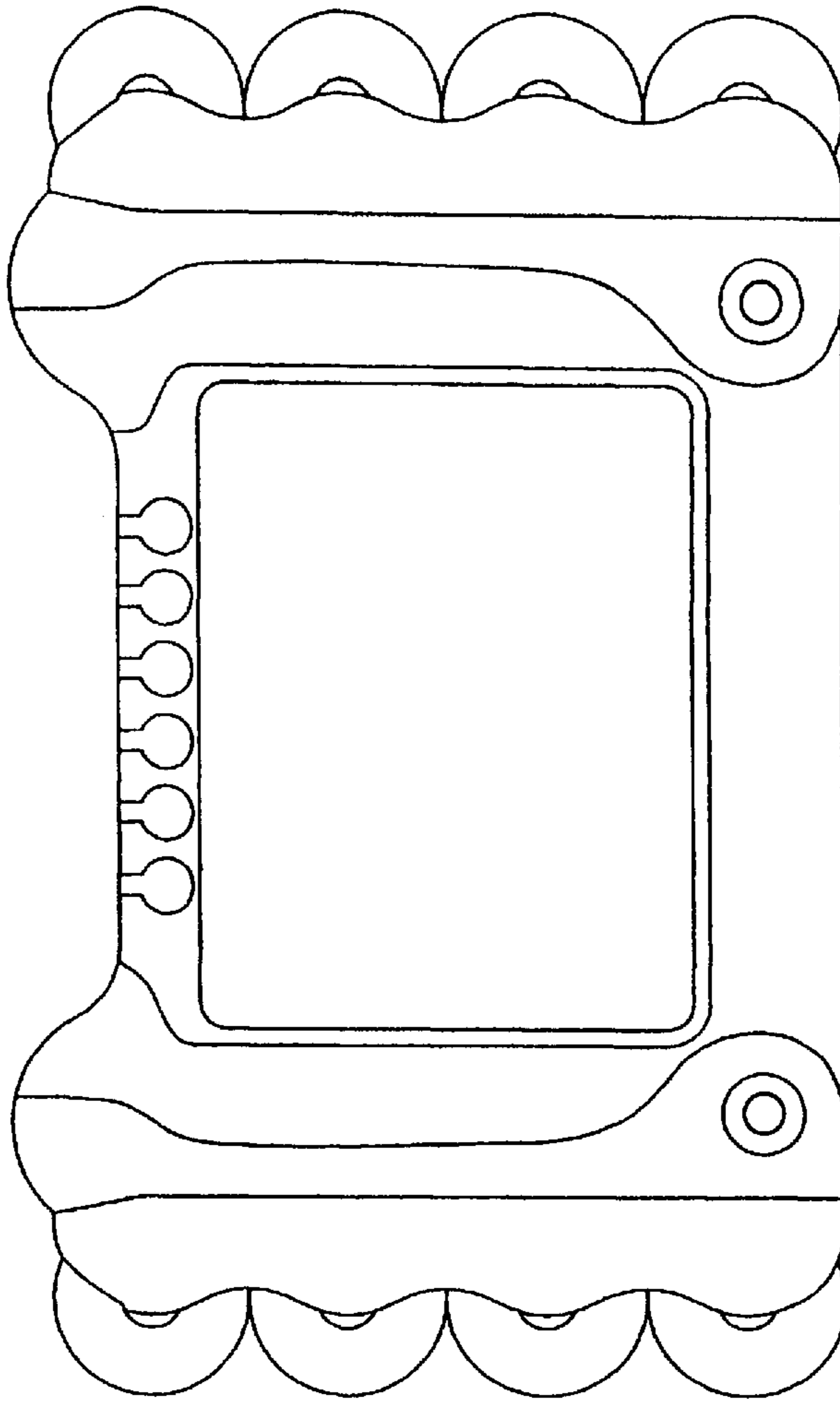


FIG. 2

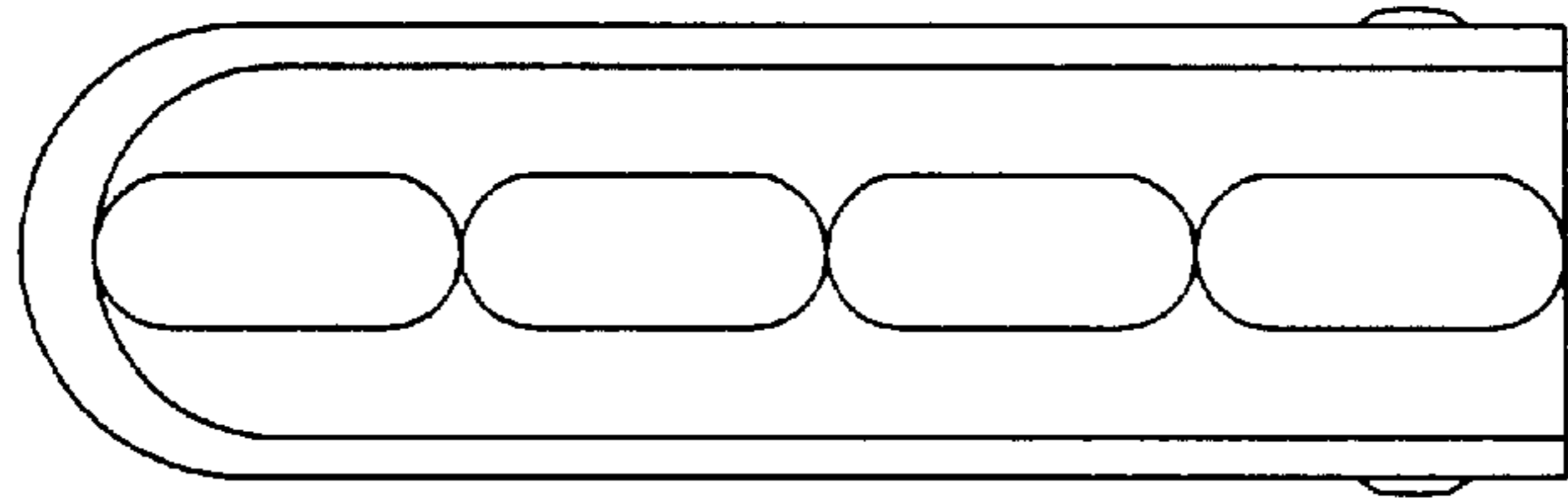


FIG. 6

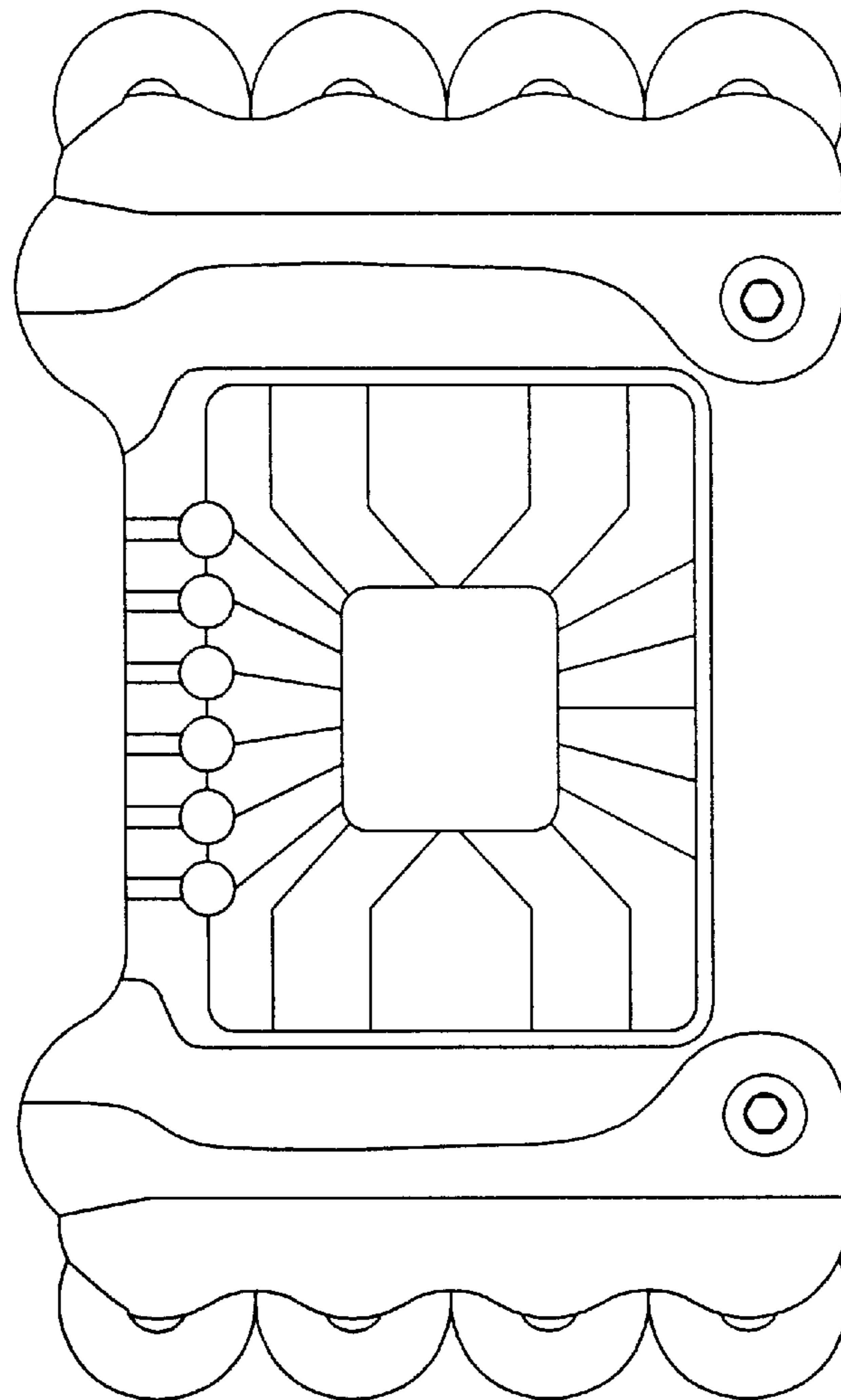


FIG. 5