



US00D524764S

(12) **United States Design Patent**  
**Inaba**

(10) **Patent No.:** **US D524,764 S**  
(45) **Date of Patent:** **\*\* Jul. 11, 2006**

(54) **TELEVISION RECEIVER**

(75) Inventor: **Junichi Inaba**, Tokyo (JP)  
(73) Assignee: **Pioneer Corporation**, Tokyo (JP)  
(\*\*) Term: **14 Years**

(21) Appl. No.: **29/208,799**

(22) Filed: **Jul. 7, 2004**

(30) **Foreign Application Priority Data**

Mar. 22, 2004 (JP) ..... 2004-008550

(51) **LOC (8) Cl.** ..... **14-03**

(52) **U.S. Cl.** ..... **D14/126**

(58) **Field of Classification Search** ..... D14/125-134,  
D14/239, 371, 374-376; 312/7.2; 348/836,  
348/838, 180, 184, 325, 739; 341/12; 248/917-924;  
345/104, 133, 156, 168, 87, 173; 353/74;  
D10/106; D13/164

See application file for complete search history.

(56) **References Cited**

**U.S. PATENT DOCUMENTS**

D431,537 S	*	10/2000	Saeki et al.	.....	D14/126
D458,236 S	*	6/2002	Bong et al.	.....	D14/126
D475,356 S	*	6/2003	Niitsu	.....	D14/126
D479,209 S	*	9/2003	Teng et al.	.....	D14/126
D482,034 S	*	11/2003	Duan	.....	D14/375
D492,270 S	*	6/2004	Natori et al.	.....	D14/126
D499,387 S	*	12/2004	Liu et al.	.....	D14/126

**FOREIGN PATENT DOCUMENTS**

JP	1202074 S	4/2004
JP	1203214 S	4/2004
JP	1203951 S	4/2004

**OTHER PUBLICATIONS**

Catalogue of Pioneer's product issued Aug. 2003.

\* cited by examiner

*Primary Examiner*—Raphael Barkai

(74) *Attorney, Agent, or Firm*—Sughrue Mion, PLLC

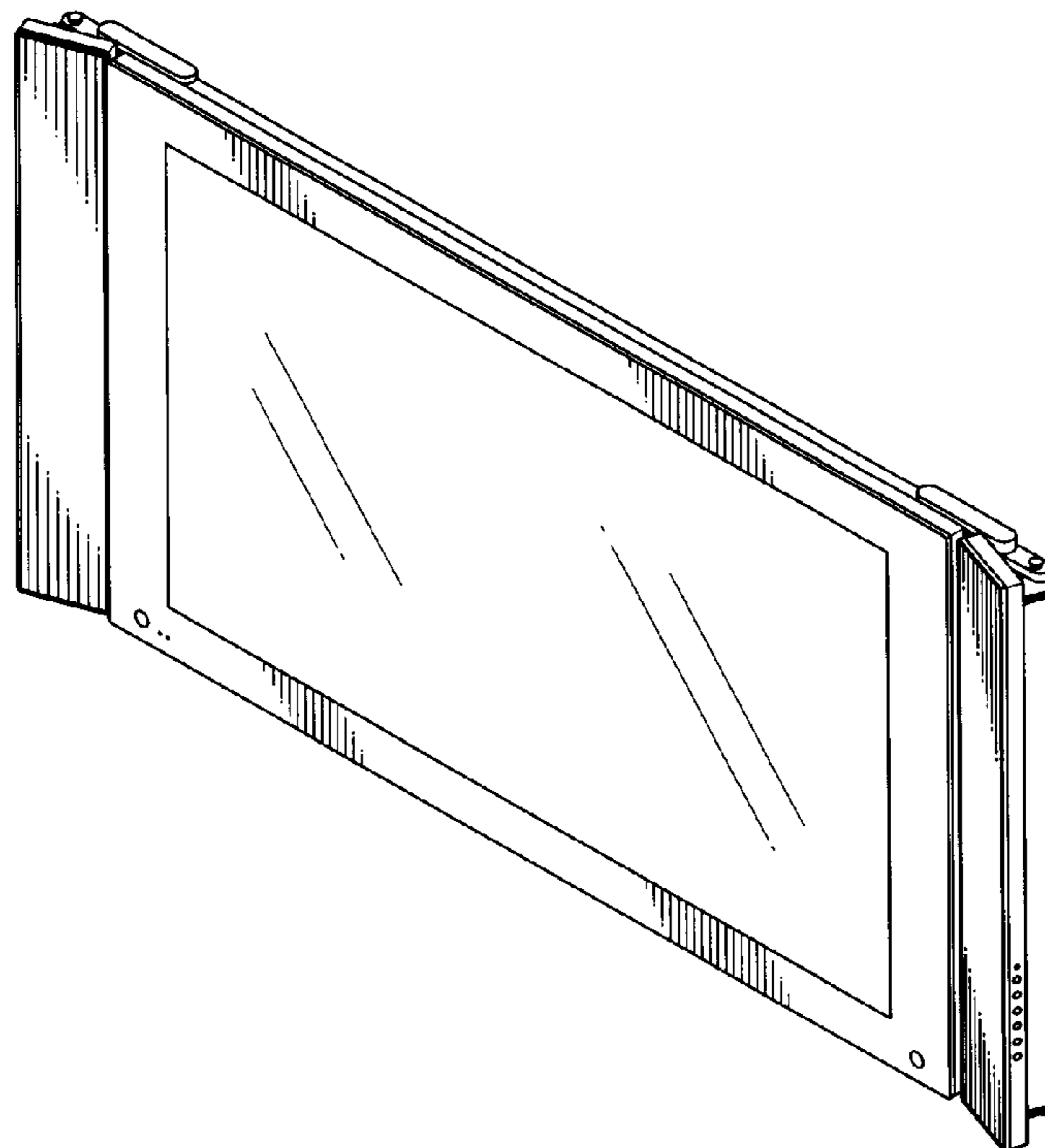
(57) **CLAIM**

The ornamental design for a television receiver, as shown and described.

**DESCRIPTION**

FIG. 1 is a front elevational view of a television receiver showing my new design;  
FIG. 2 is a rear elevational view thereof;  
FIG. 3 is a right side elevational view thereof;  
FIG. 4 is a left side elevational view thereof;  
FIG. 5 is a top plan view thereof;  
FIG. 6 is a bottom plan view thereof;  
FIG. 7 is a perspective view of the top, front and right side thereof;  
FIG. 8 is a front elevational view with the side pieces moved closer to the center piece; and,  
FIG. 9 is a perspective view similar to FIG. 7 with the side pieces tilted.

**1 Claim, 5 Drawing Sheets**



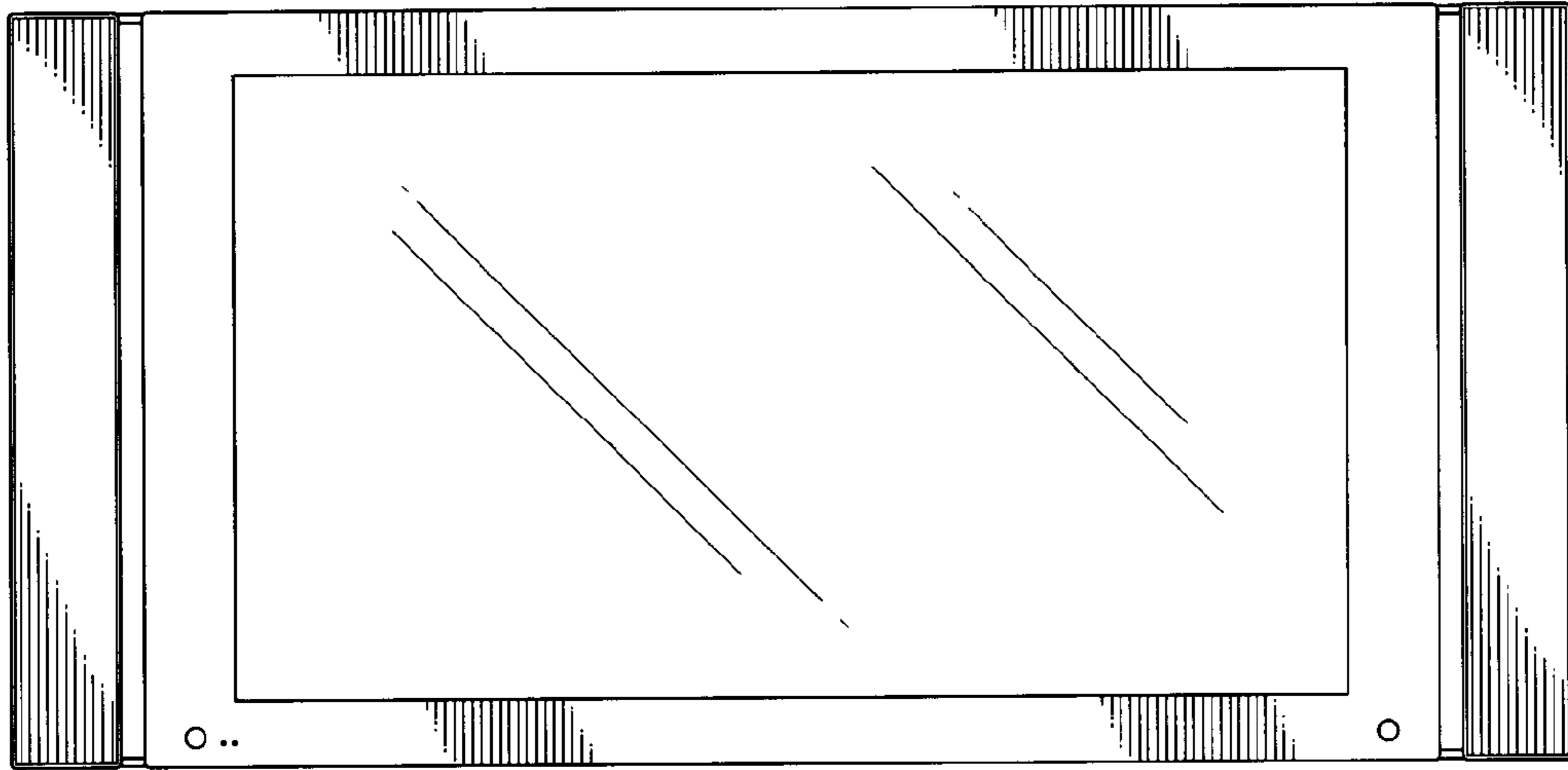


FIG. 1

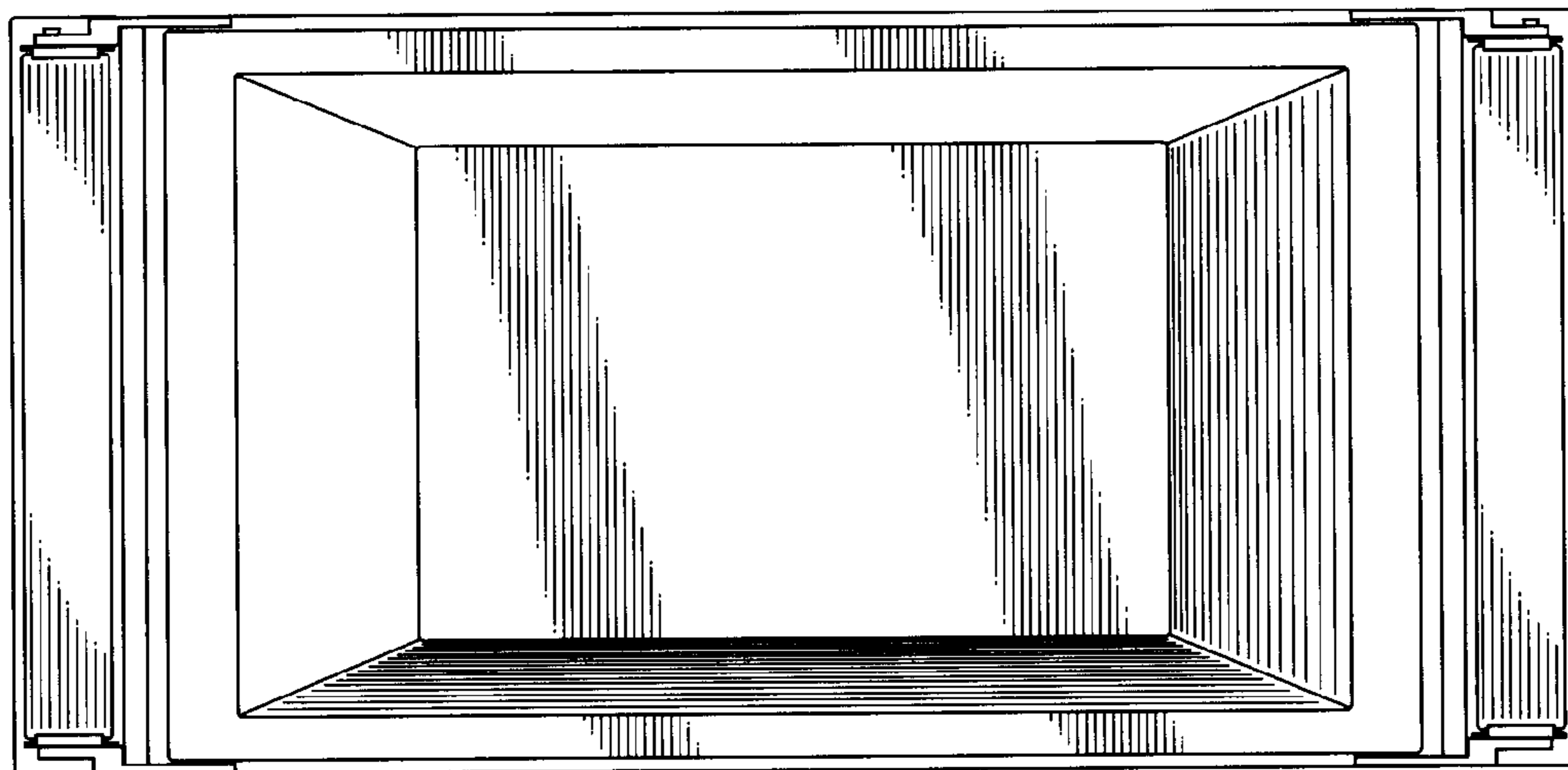


FIG. 2

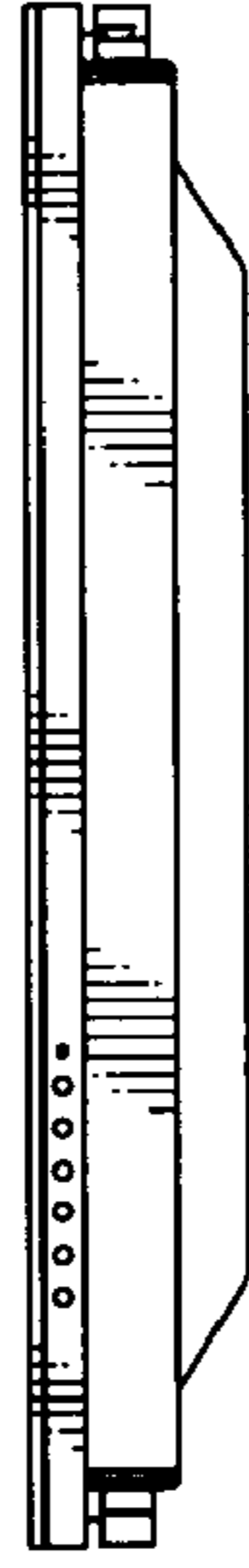


FIG. 3

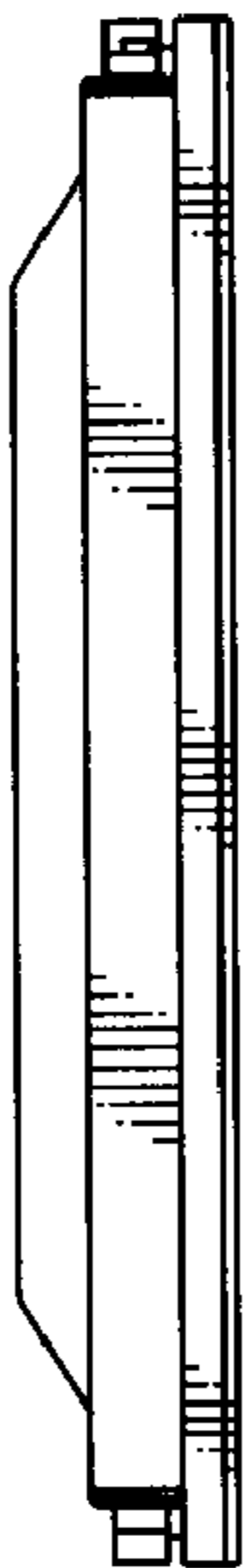


FIG. 4

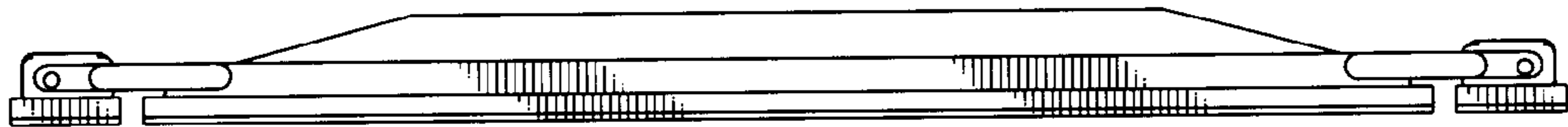


FIG. 5

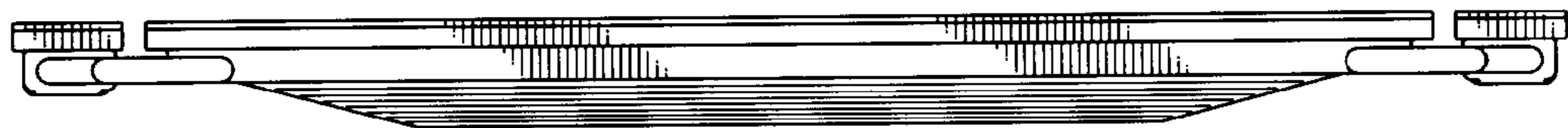


FIG. 6

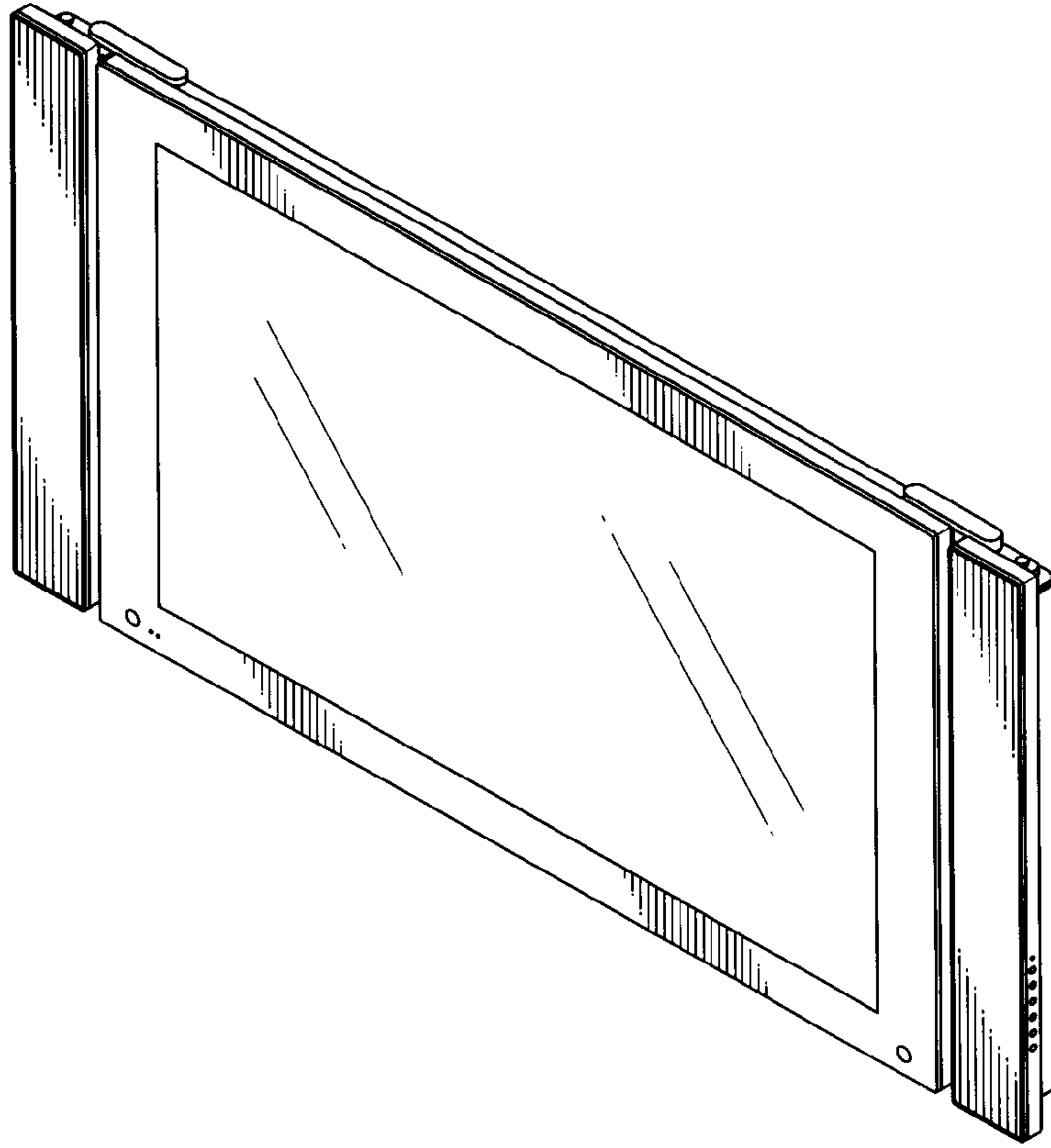


FIG. 7

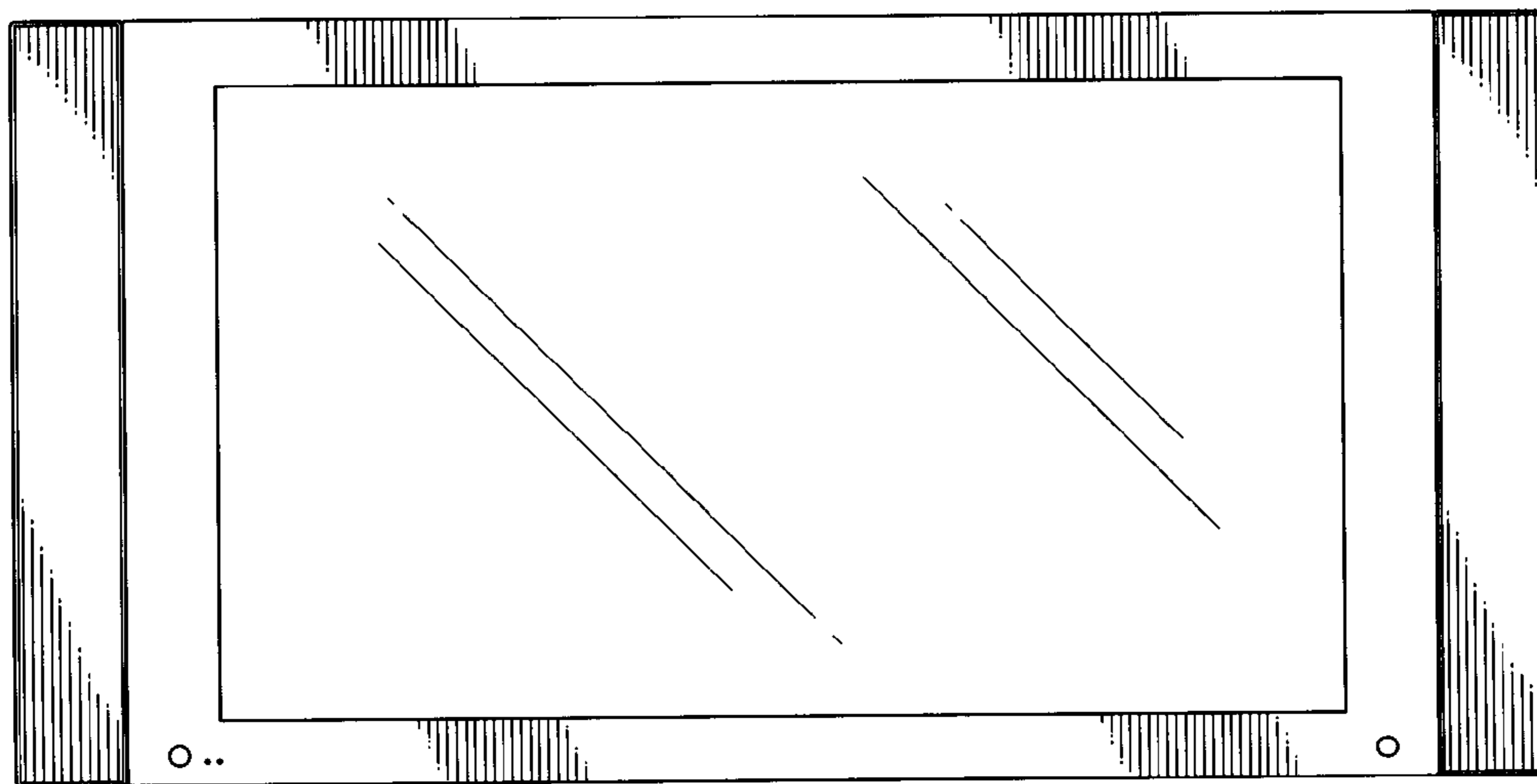


FIG. 8

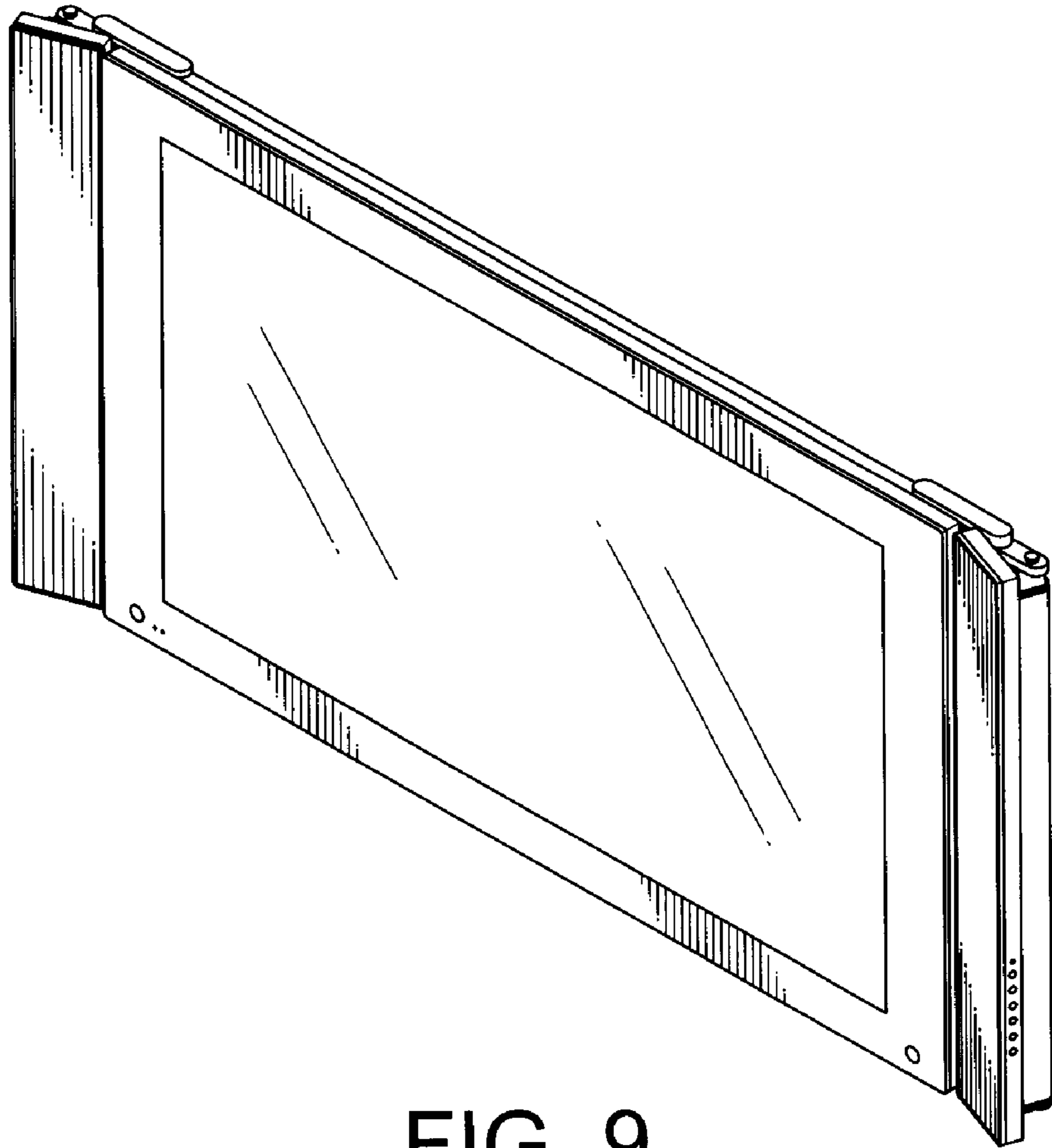


FIG. 9