

US00D524763S

(12) **United States Design Patent**
Nakano et al.

(10) **Patent No.:** **US D524,763 S**

(45) **Date of Patent:** **** Jul. 11, 2006**

(54) **TRANSMITTING/RECEIVING UNIT**

(75) Inventors: **Atsushi Nakano**, Atsugi (JP); **Hayato Shibano**, Atsugi (JP)

(73) Assignee: **Mitsumi Electric Co., Ltd.**, Tokyo (JP)

(**) Term: **14 Years**

(21) Appl. No.: **29/211,847**

(22) Filed: **Aug. 24, 2004**

(30) **Foreign Application Priority Data**

Mar. 8, 2004 (JP) 2004-006813

(51) **LOC (8) Cl.** **13-03**

(52) **U.S. Cl.** **D13/182**

(58) **Field of Classification Search** D13/180,
D13/182; 361/728, 736, 737, 748, 752, 796
See application file for complete search history.

(56) **References Cited**

U.S. PATENT DOCUMENTS

D352,701 S * 11/1994 Evans D13/182
D430,856 S * 9/2000 Wilkerson D13/182
6,232,562 B1 * 5/2001 Kikuchi et al. 174/260

D471,524 S * 3/2003 Ebihara et al. D13/182
6,542,358 B1 * 4/2003 Kunz et al. 361/686
6,600,658 B1 * 7/2003 Iwata 361/752
6,657,868 B1 * 12/2003 Hsue 361/728
6,738,260 B1 * 5/2004 Sivertsen 361/740
D505,925 S * 6/2005 Koo D13/182
2002/0189083 A1 * 12/2002 Matsumoto et al. 29/743

* cited by examiner

Primary Examiner—Stella Reid

Assistant Examiner—Selina Sikder

(74) *Attorney, Agent, or Firm*—Sughrue Mion, PLLC

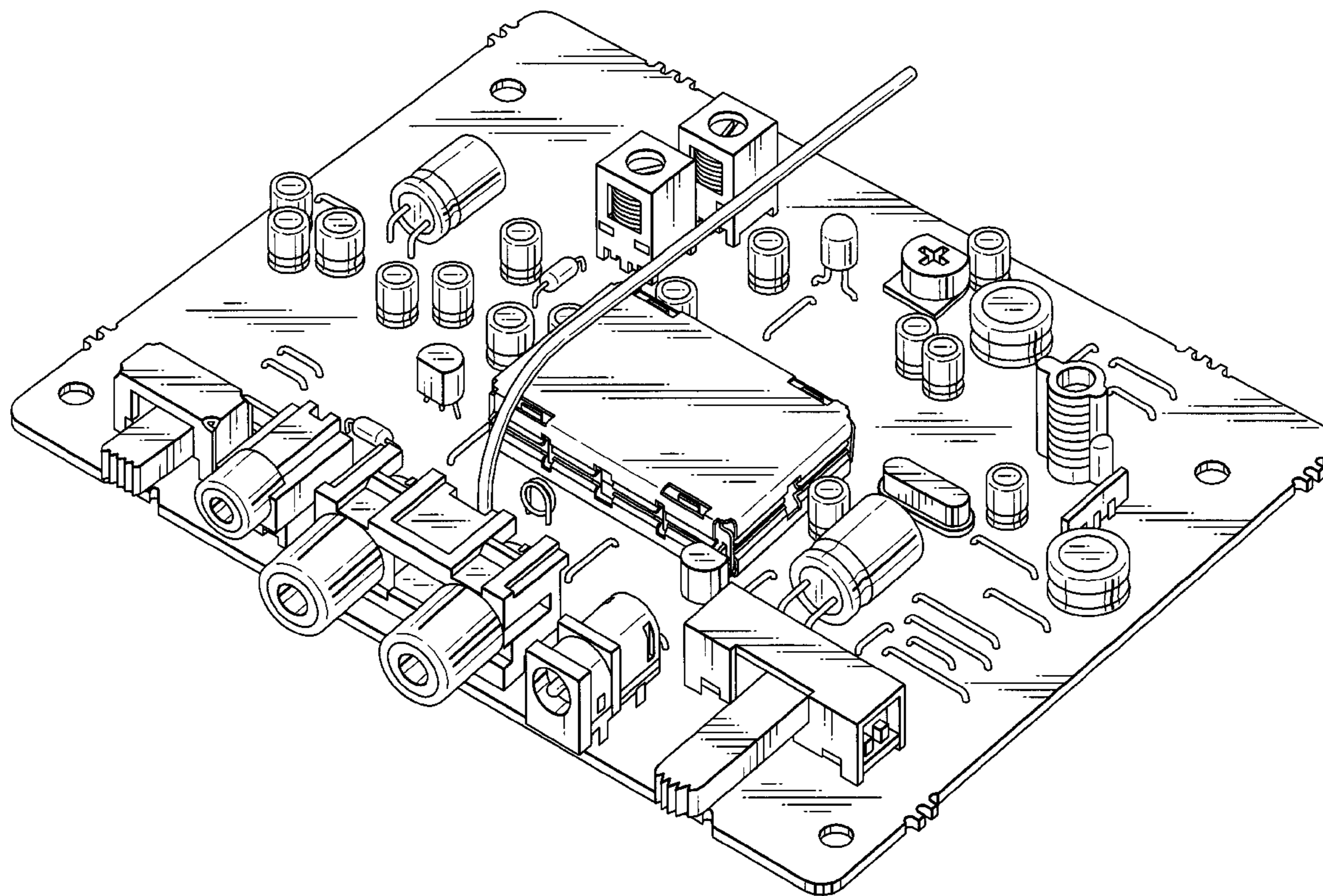
(57) **CLAIM**

The ornamental design for a transmitting/receiving unit, as shown.

DESCRIPTION

FIG. 1 is a perspective view of the top, front and right side of a transmitting/receiving unit showing our new design; FIG. 2 is a front elevational view thereof; FIG. 3 is a rear elevational view thereof; FIG. 4 is a right side elevational view thereof; FIG. 5 is a left side elevational view thereof; and, FIG. 6 is a top plan view thereof.

1 Claim, 3 Drawing Sheets



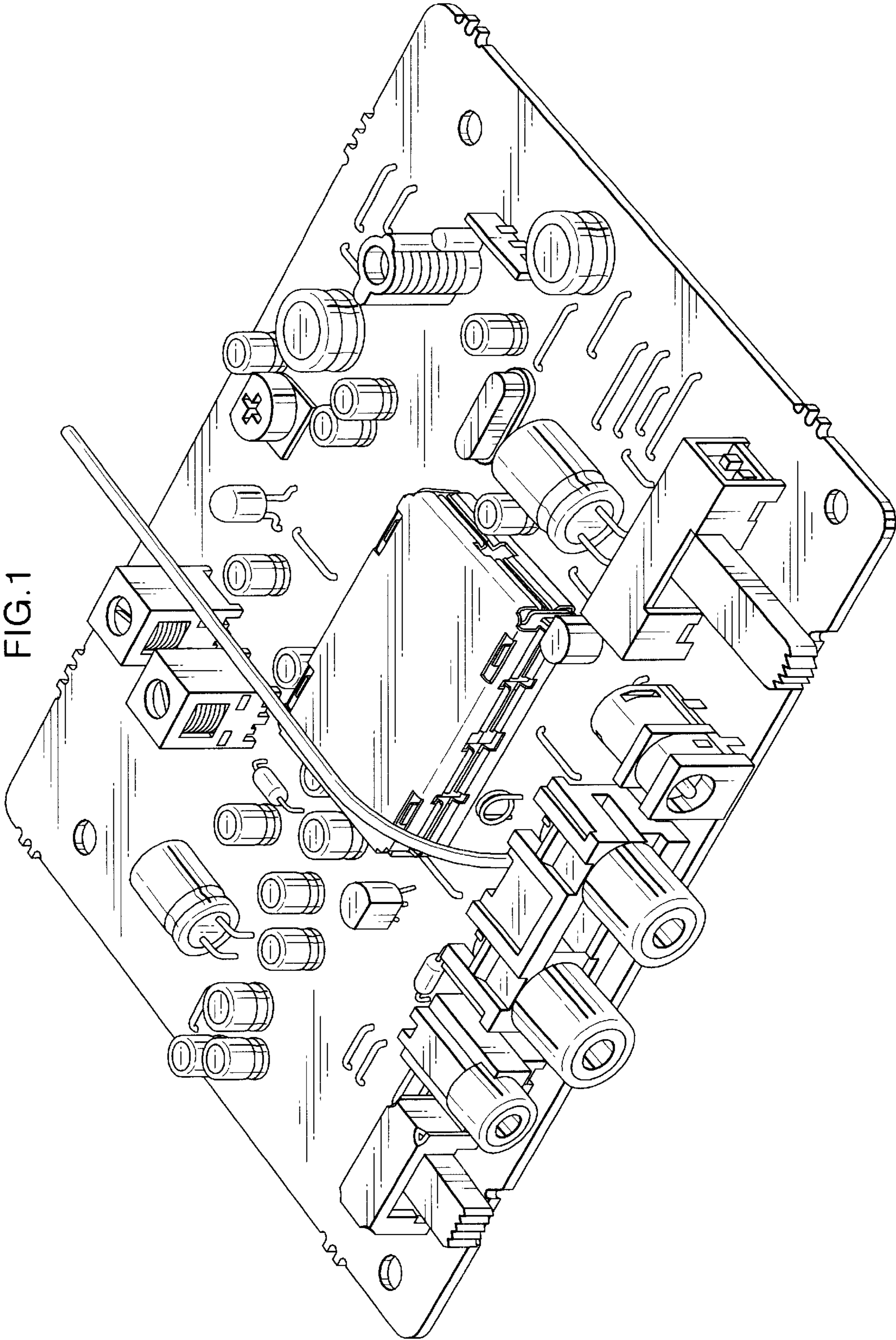


FIG.1

FIG. 2

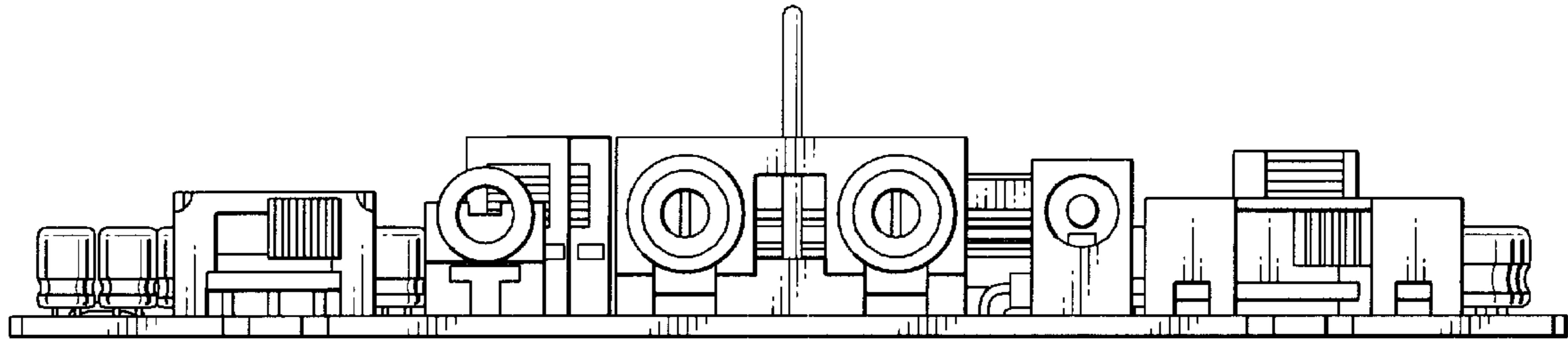


FIG. 3

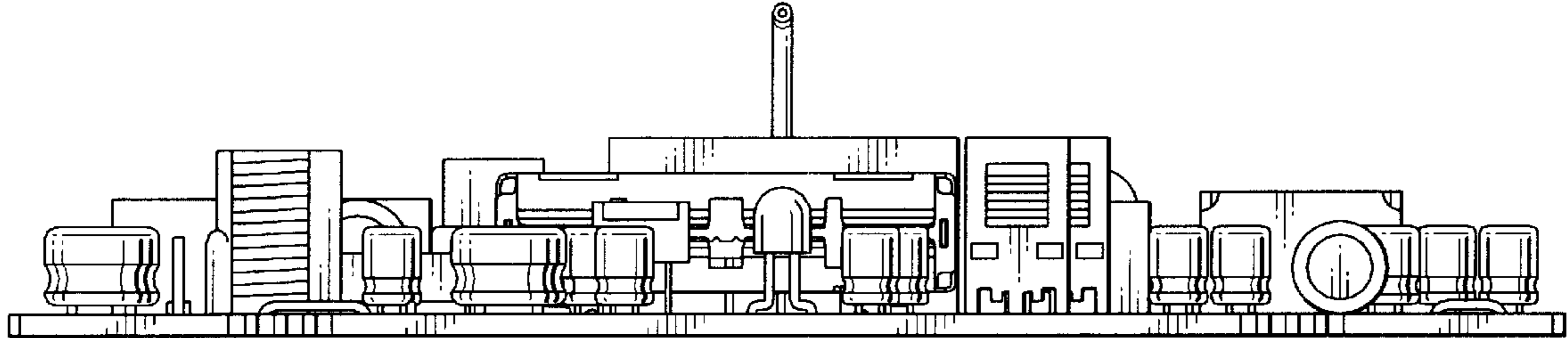


FIG. 4

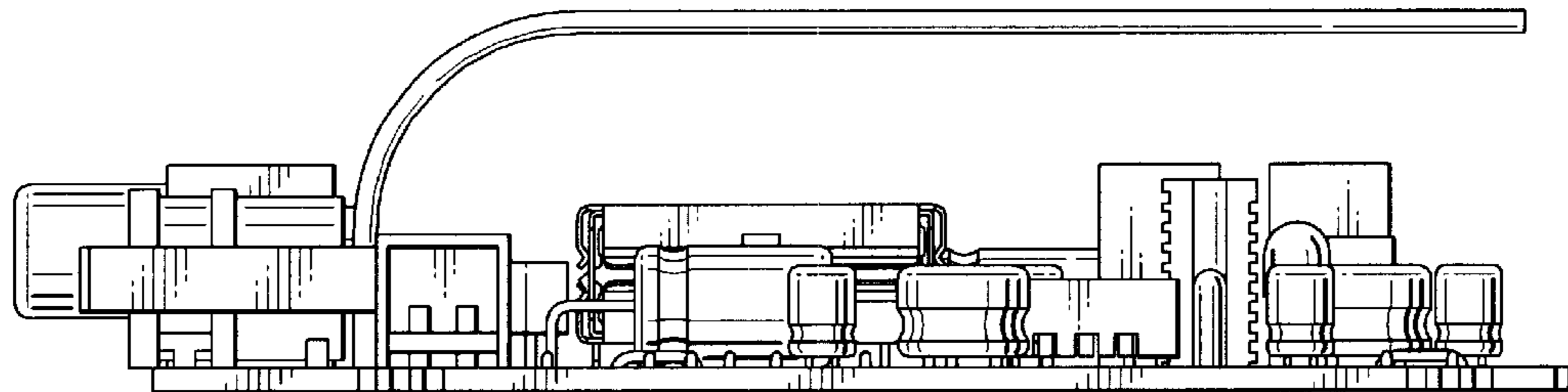


FIG. 5

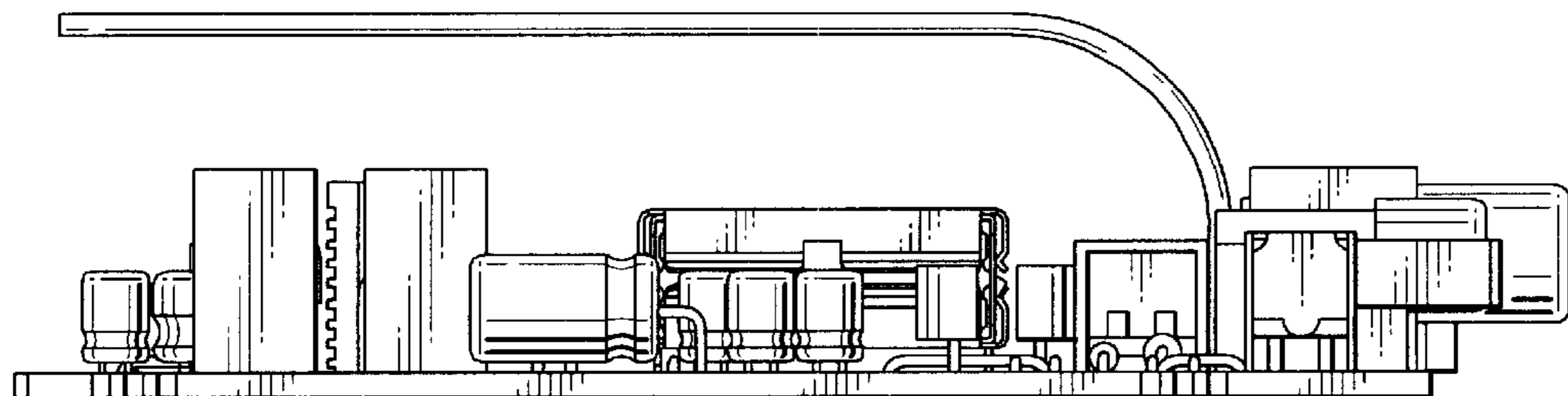


FIG.6

