



US00D524759S

(12) **United States Design Patent**
Wada et al.

(10) **Patent No.:** **US D524,759 S**

(45) **Date of Patent:** **** Jul. 11, 2006**

(54) **CABLE HEAD**

(75) Inventors: **Stan Wada**, Venice, CA (US); **David Goetz**, Los Angeles, CA (US); **Ernesto Quinteros**, Los Angeles, CA (US); **Mitchell Suckle**, Long Beach, CA (US); **Kenneth Mori**, Los Angeles, CA (US); **Colin Owen**, Pasadena, CA (US)

(73) Assignee: **Belkin Corporation**, Compton, CA (US)

(**) Term: **14 Years**

(21) Appl. No.: **29/220,455**

(22) Filed: **Dec. 29, 2004**

(51) **LOC (8) Cl.** **13-03**

(52) **U.S. Cl.** **D13/156**

(58) **Field of Classification Search** D13/133,
D13/146, 147, 151, 154-156; D14/433; 439/362,
439/365, 367, 476.1, 478, 527, 528, 606,
439/731, 901

See application file for complete search history.

(56) **References Cited**

U.S. PATENT DOCUMENTS

D290,458 S * 6/1987 O'Leary D13/147

D337,305 S * 7/1993 Ross et al. D13/133
6,257,930 B1 * 7/2001 Yu 439/607
D491,143 S * 6/2004 Jiang D13/147
D491,144 S * 6/2004 Jiang D13/147

* cited by examiner

Primary Examiner—Holly Baynham

Assistant Examiner—Cynthia M. Chin

(74) *Attorney, Agent, or Firm*—Bryan Cave LLP

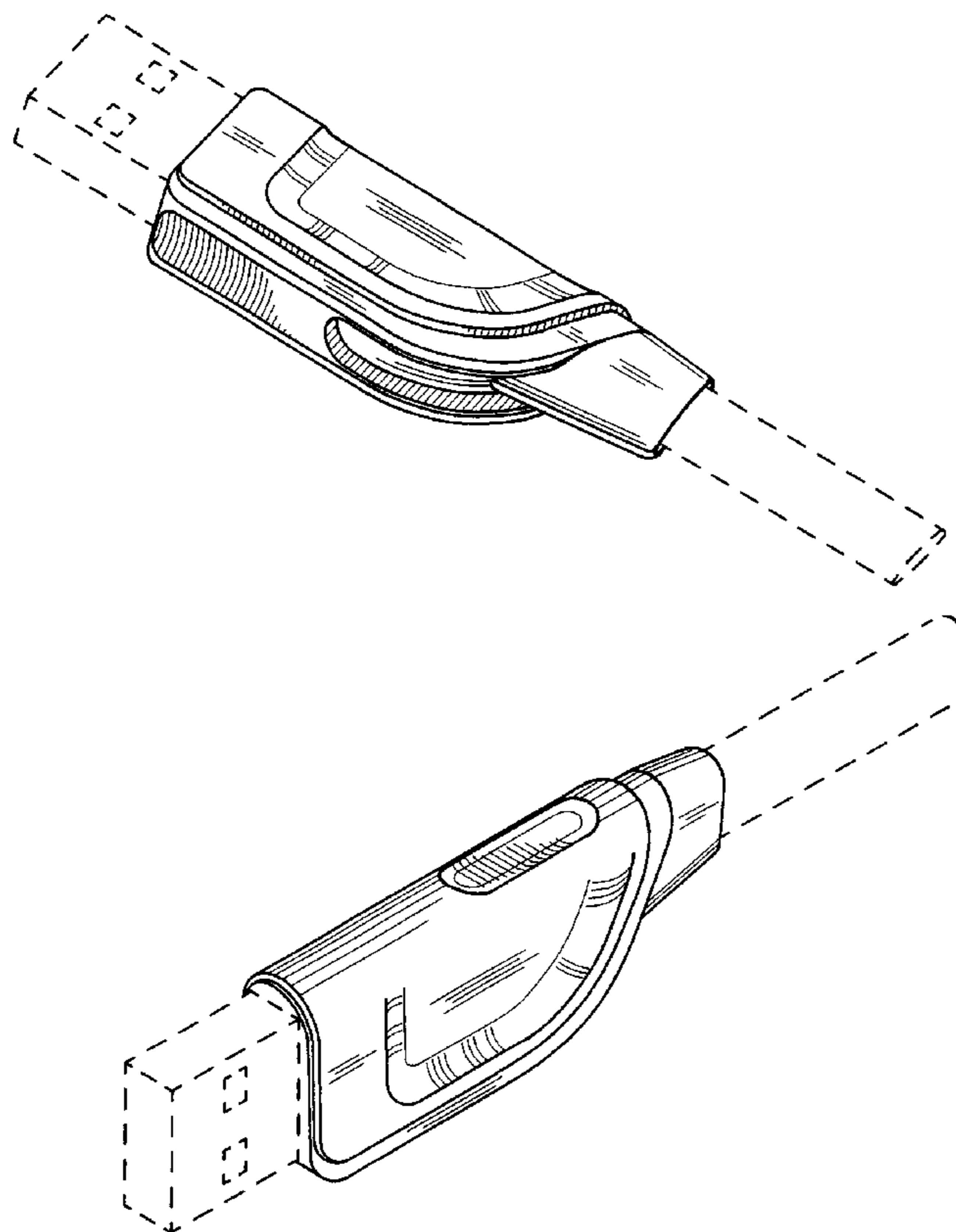
(57) **CLAIM**

We claim the ornamental design for a cable head, as shown and described.

DESCRIPTION

FIG. 1 is a top view of the cable head;
FIG. 2 is a bottom view thereof;
FIG. 3 is a front elevational view thereof;
FIG. 4 is a rear elevational view thereof;
FIG. 5 is a left side elevational view thereof;
FIG. 6 is a right side elevational view thereof;
FIG. 7 is a rear, right, top perspective view thereof; and,
FIG. 8 is a front, left, top perspective view thereof.
The broken lines in the drawings are for illustrative purposes only and form no part of the claimed design.

1 Claim, 2 Drawing Sheets



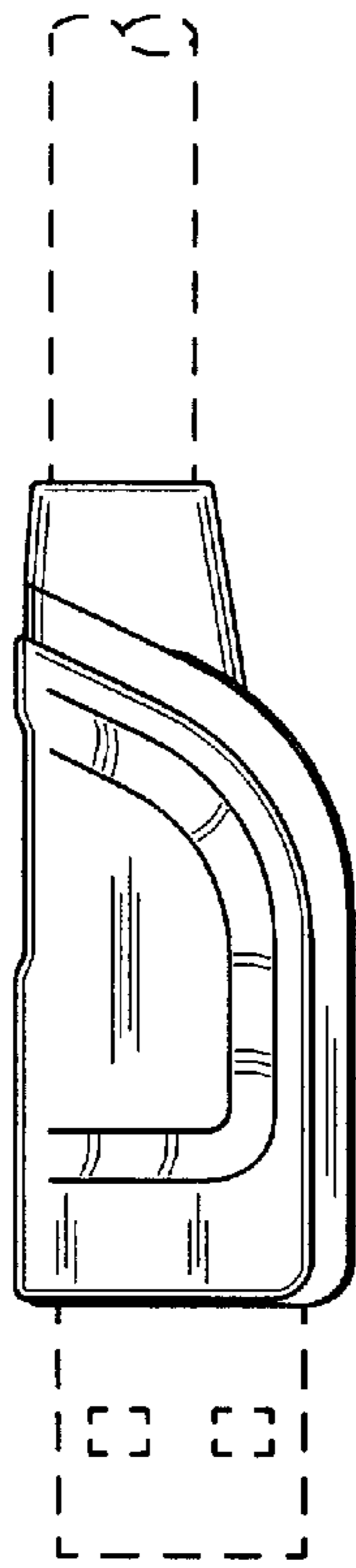


FIG. 1

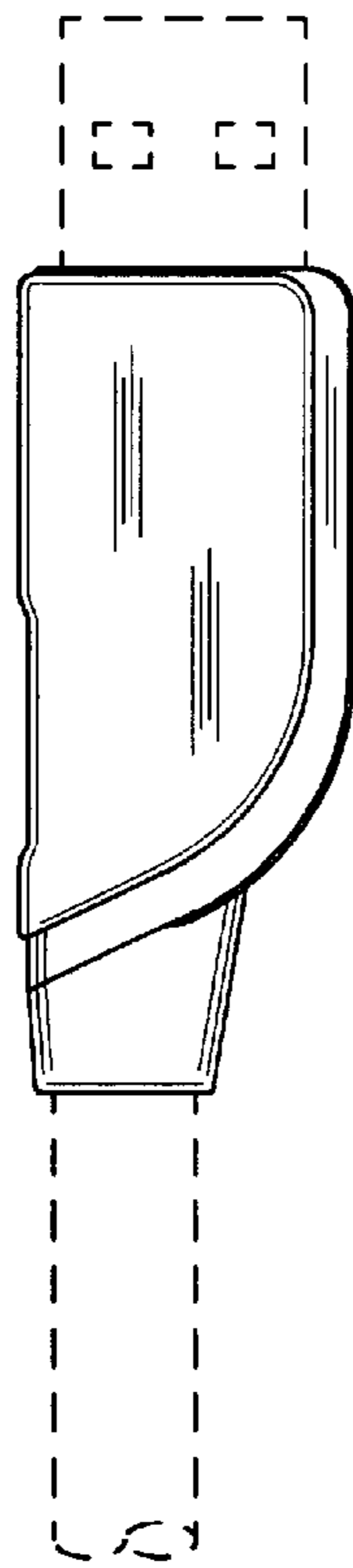


FIG. 2

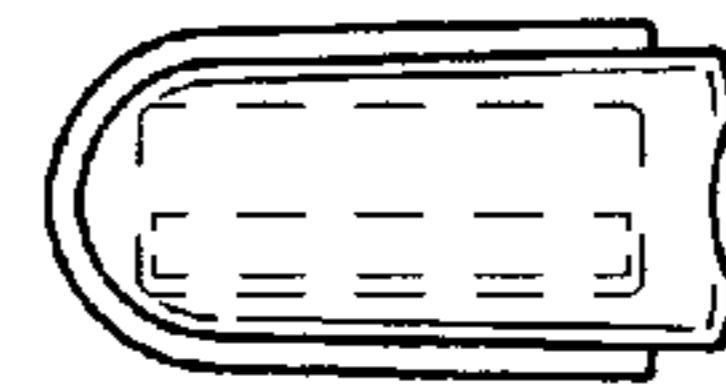


FIG. 3

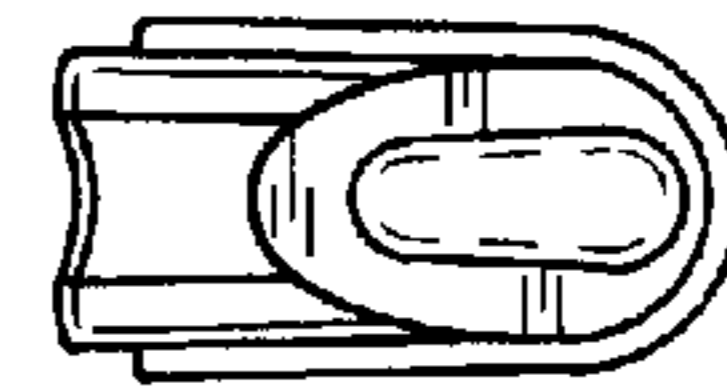


FIG. 4

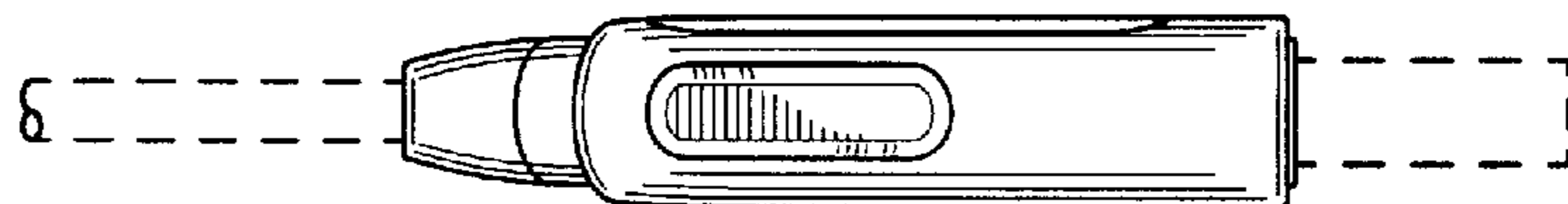


FIG. 5

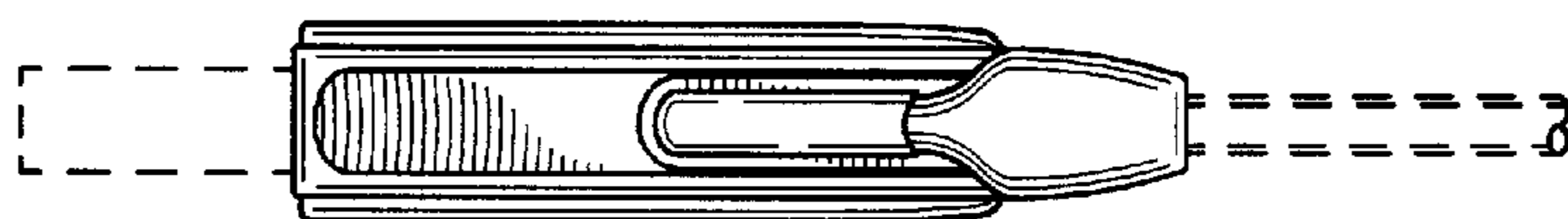


FIG. 6

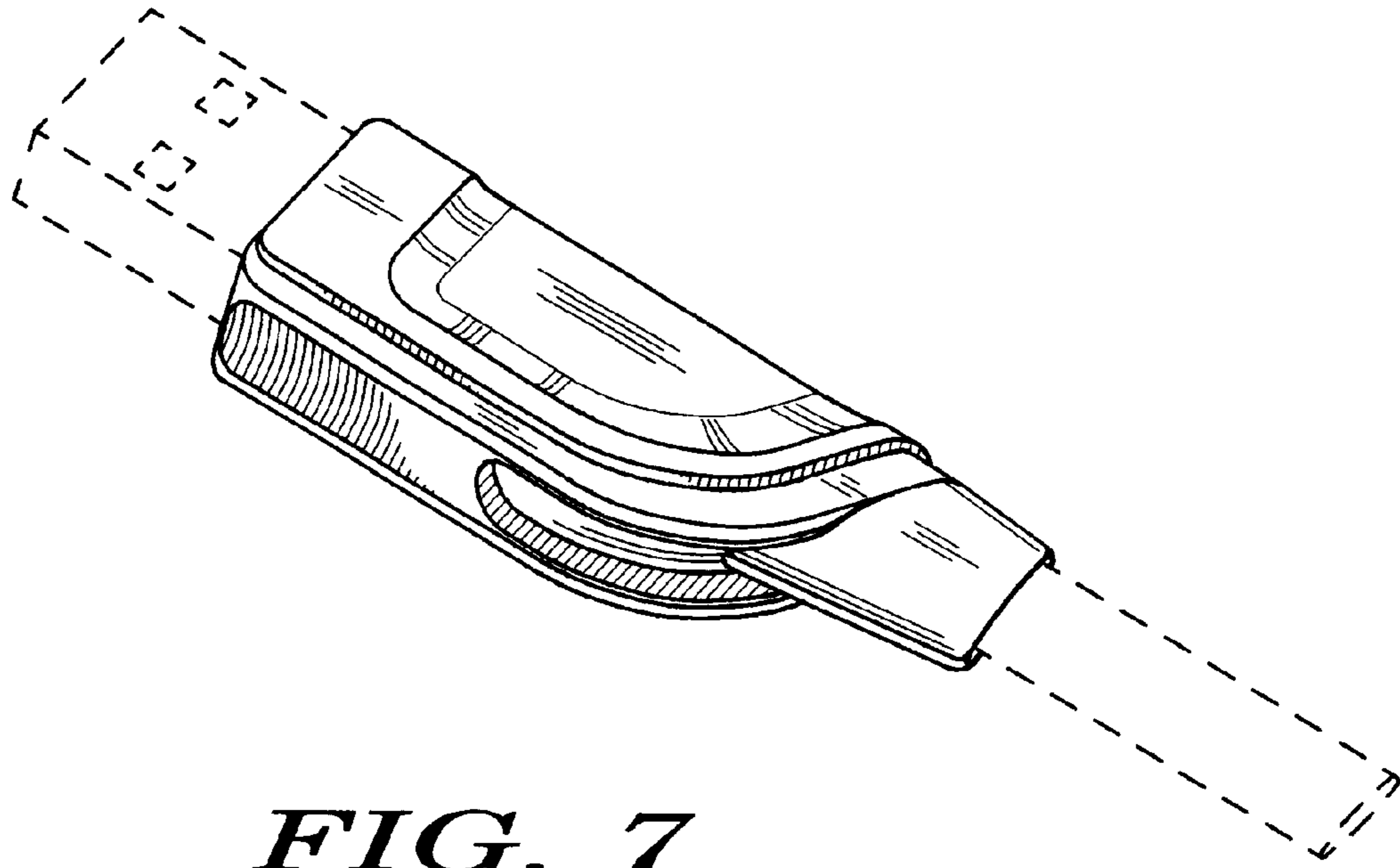


FIG. 7

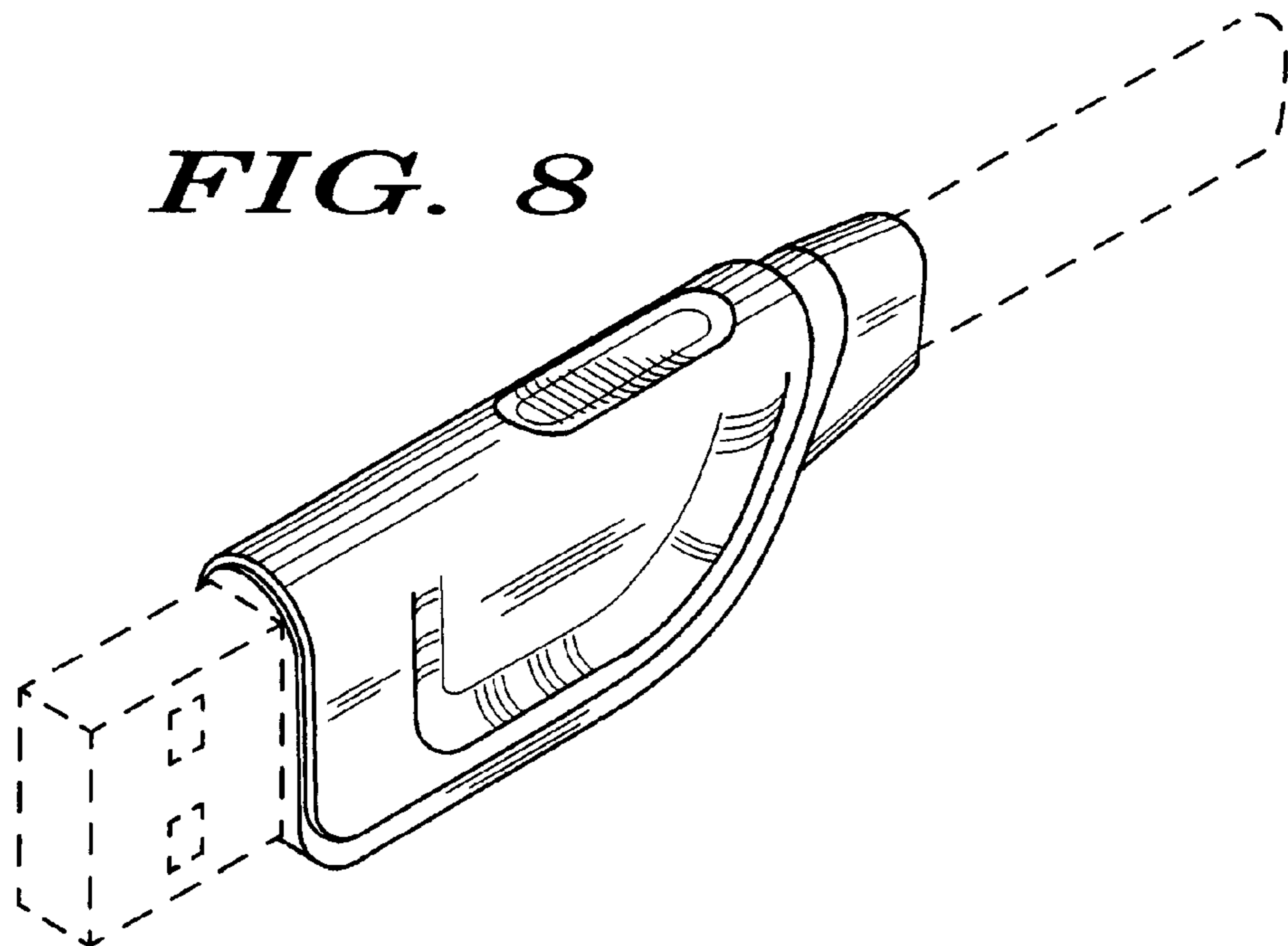


FIG. 8