



US00D524758S

(12) **United States Design Patent**  
**Sweeney**

(10) **Patent No.:** **US D524,758 S**

(45) **Date of Patent:** **\*\* Jul. 11, 2006**

(54) **INTERCONNECT FOR ELECTRICALLY  
CONNECTING PLURAL ELECTRICALLY  
CONDUCTIVE NEUTRAL BARS IN FIXED  
SPACED-APART RELATIONSHIP**

4,231,633 A	11/1980	Luke	
D291,406 S	* 8/1987	McNeese	..... D8/354
D298,213 S	* 10/1988	Iati	..... D8/354
D337,510 S	* 7/1993	Nasca	..... D8/354
5,901,028 A	5/1999	Hamard	
6,459,570 B1	10/2002	Buchanan	
6,666,729 B1	12/2003	Takamura	
2004/0072470 A1	4/2004	Lang	

(75) Inventor: **Thomas M. Sweeney**, Cincinnati, OH  
(US)

(73) Assignee: **Isco Corporation**, Cincinnati, OH  
(US)

(\*\*) Term: **14 Years**

(21) Appl. No.: **29/233,351**

(22) Filed: **Jun. 30, 2005**

**Related U.S. Application Data**

(62) Division of application No. 29/170,701, filed on Nov. 12, 2002, now Pat. No. Des. 509,801.

(51) **LOC (8) Cl.** ..... **13-03**

(52) **U.S. Cl.** ..... **D13/154**

(58) **Field of Classification Search** ..... D13/153,  
D13/154, 155, 156; 439/362, 365, 367, 476.1,  
439/478, 527, 528, 606, 731, 901; D8/354;  
174/6, 51, 40, 135

See application file for complete search history.

(56) **References Cited**

**U.S. PATENT DOCUMENTS**

2,909,757 A	10/1959	Speck
3,757,170 A	9/1973	Kobryner

\* cited by examiner

*Primary Examiner*—Holly H. Baynham

*Assistant Examiner*—Cynthia M. Chin

(74) *Attorney, Agent, or Firm*—Wood, Herron & Evans, LLP

(57) **CLAIM**

The ornamental design for an interconnect for electrically connecting plural electrically conductive neutral bars in fixed spaced-apart relationship, as shown and described.

**DESCRIPTION**

FIG. 1 is a perspective view of the front, right side, and top of an interconnect for electrically connecting plural electrically conductive neutral bars in fixed spaced-apart relationship incorporating my new design;

FIG. 2 is a front elevational view thereof;

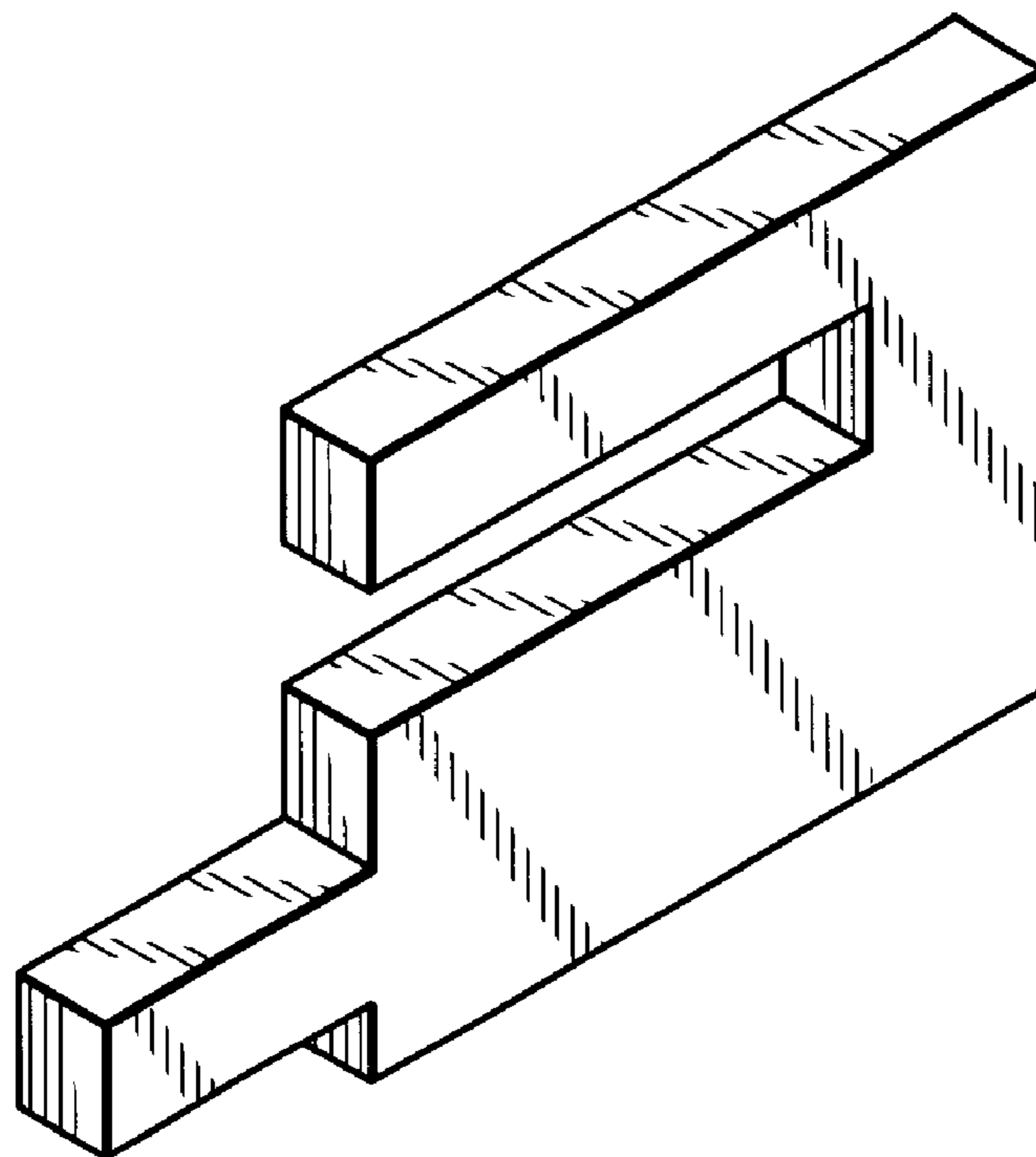
FIG. 3 is a right-side elevational view thereof, with the left-side elevational view being a mirror image of FIG. 3;

FIG. 4 is a rear elevational view thereof;

FIG. 5 is a top plan view thereof; and,

FIG. 6 is a bottom plan view thereof.

**1 Claim, 1 Drawing Sheet**



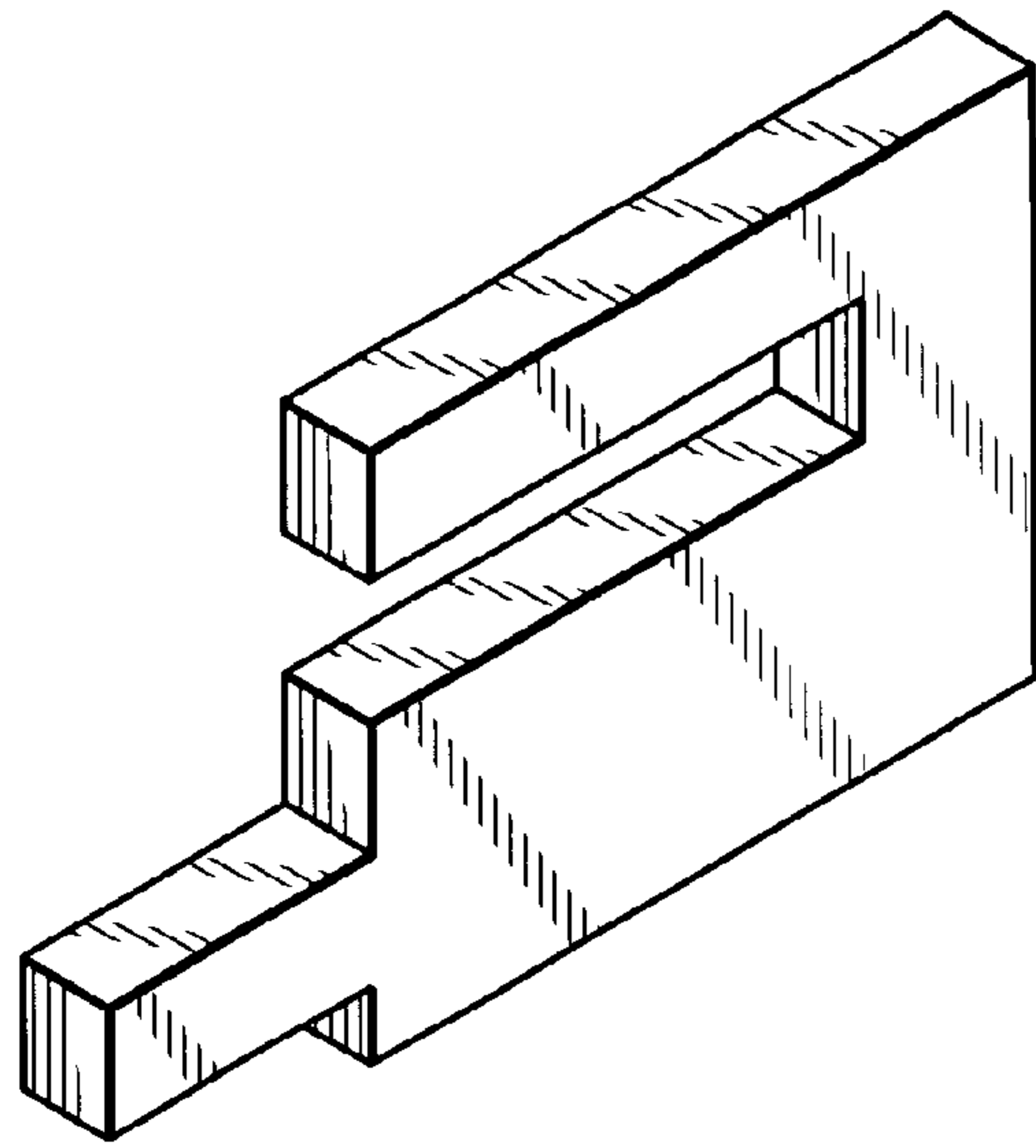


FIG. 1



FIG. 2

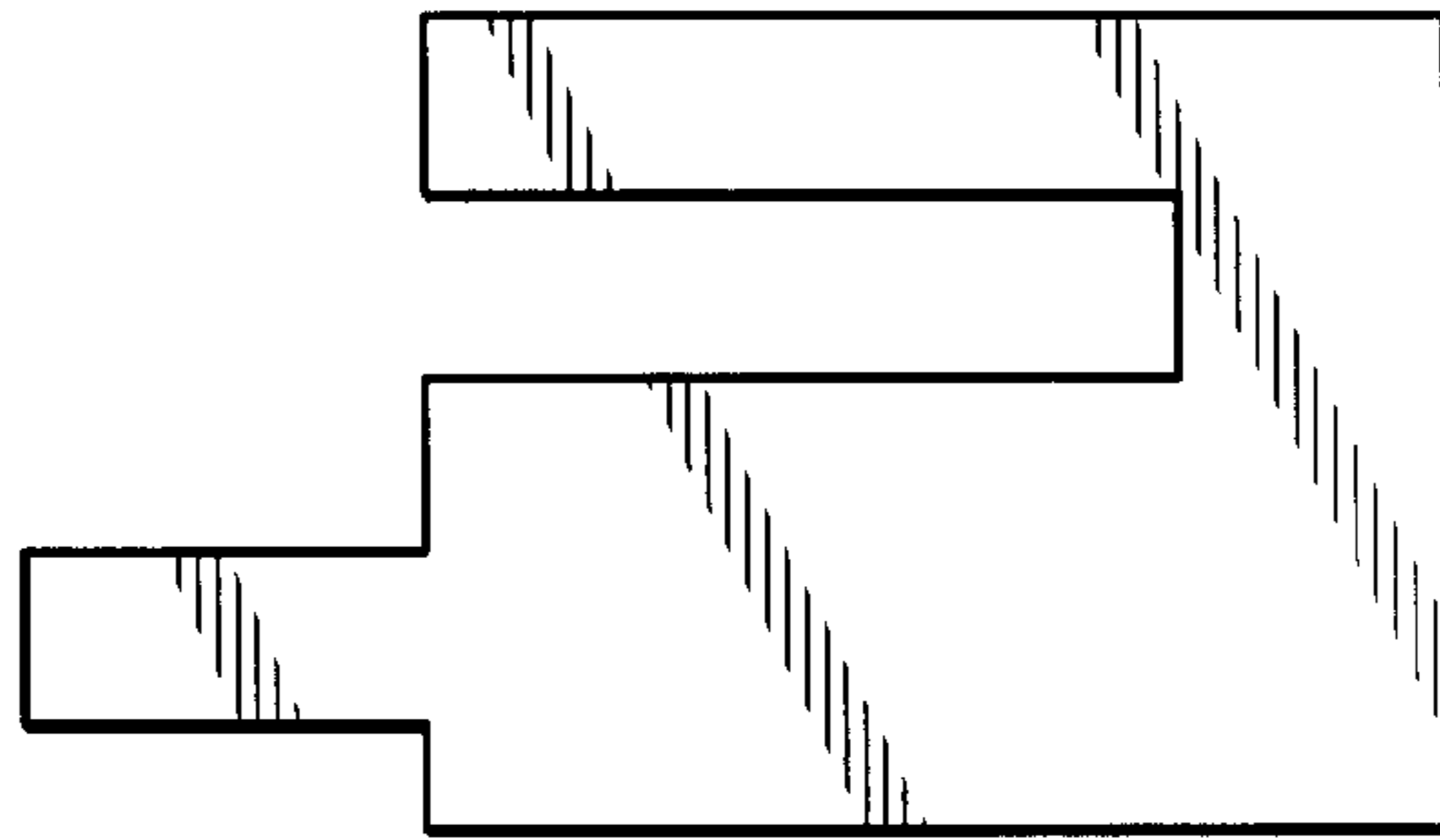


FIG. 3

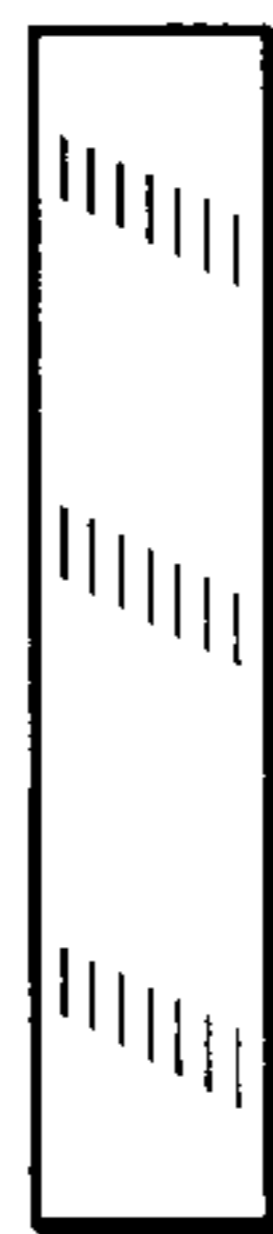


FIG. 4

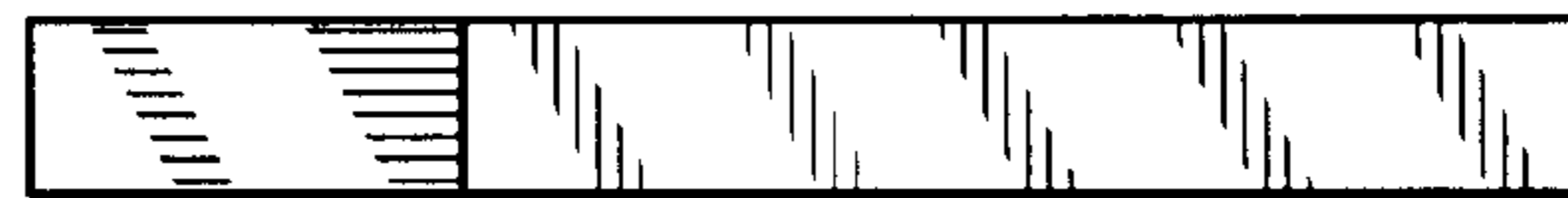


FIG. 5



FIG. 6