



US00D524756S

(12) **United States Design Patent**
Radza

(10) **Patent No.:** **US D524,756 S**
(45) **Date of Patent:** **** Jul. 11, 2006**

(54) **ELECTRICAL CONNECTOR FLANGE**

(75) Inventor: **Eric Radza**, San Jose, CA (US)

(73) Assignee: **Neoconix, Inc.**, Sunnyvale, CA (US)

(**) Term: **14 Years**

(21) Appl. No.: **29/213,750**

(22) Filed: **Sep. 23, 2004**

(51) **LOC (8) Cl.** **13-03**

(52) **U.S. Cl.** **D13/154**

(58) **Field of Classification Search** D13/133,
D13/154, 182, 184, 199; 174/260, 261; 361/752,
361/760, 761, 769, 776

See application file for complete search history.

(56) **References Cited**

U.S. PATENT DOCUMENTS

D186,435 S	*	10/1959	Wilson	D8/395
3,555,497 A	*	1/1971	Watanabe	439/857
D251,781 S	*	5/1979	Hutton	D13/133
5,342,992 A	*	8/1994	Noto	174/52.4
D365,084 S	*	12/1995	Suski et al.	D13/154
D408,353 S	*	4/1999	Yoshiura	D13/133
D409,145 S	*	5/1999	Yoshiura	D13/133
6,465,747 B1	*	10/2002	DiStefano et al.	174/261
D472,880 S	*	4/2003	Clements et al.	D13/154

D475,021 S	*	5/2003	Clements et al.	D13/154
2002/0029902 A1	*	3/2002	DiStefano et al.	174/260
2003/0066681 A1	*	4/2003	Uchida et al.	174/260

* cited by examiner

Primary Examiner—Alan P. Douglas

Assistant Examiner—Rosemary K. Tarcza

(74) *Attorney, Agent, or Firm*—Michael Bednarek;
Pillsbury Winthrop Shaw Pittman LLP

(57) **CLAIM**

The ornamental design for an electrical connector flange, as substantially shown and described.

DESCRIPTION

FIG. 1 is a perspective view of an electrical connector flange showing my new design;

FIG. 2 is a top view of the electrical connector flange showing line VI—VI;

FIG. 3 is a bottom view of the electrical connector flange;

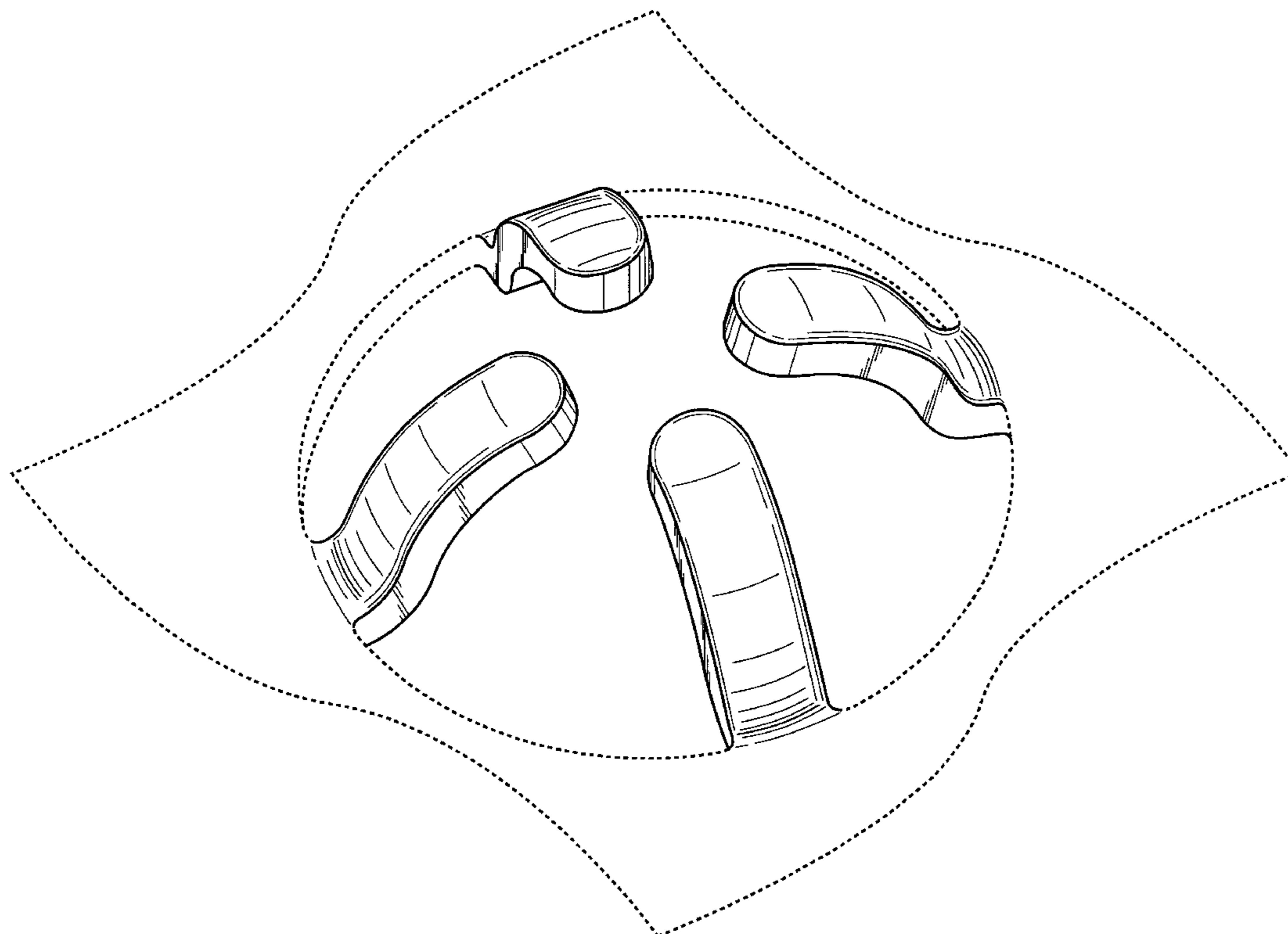
FIG. 4 is a front view of the electrical connector flange;

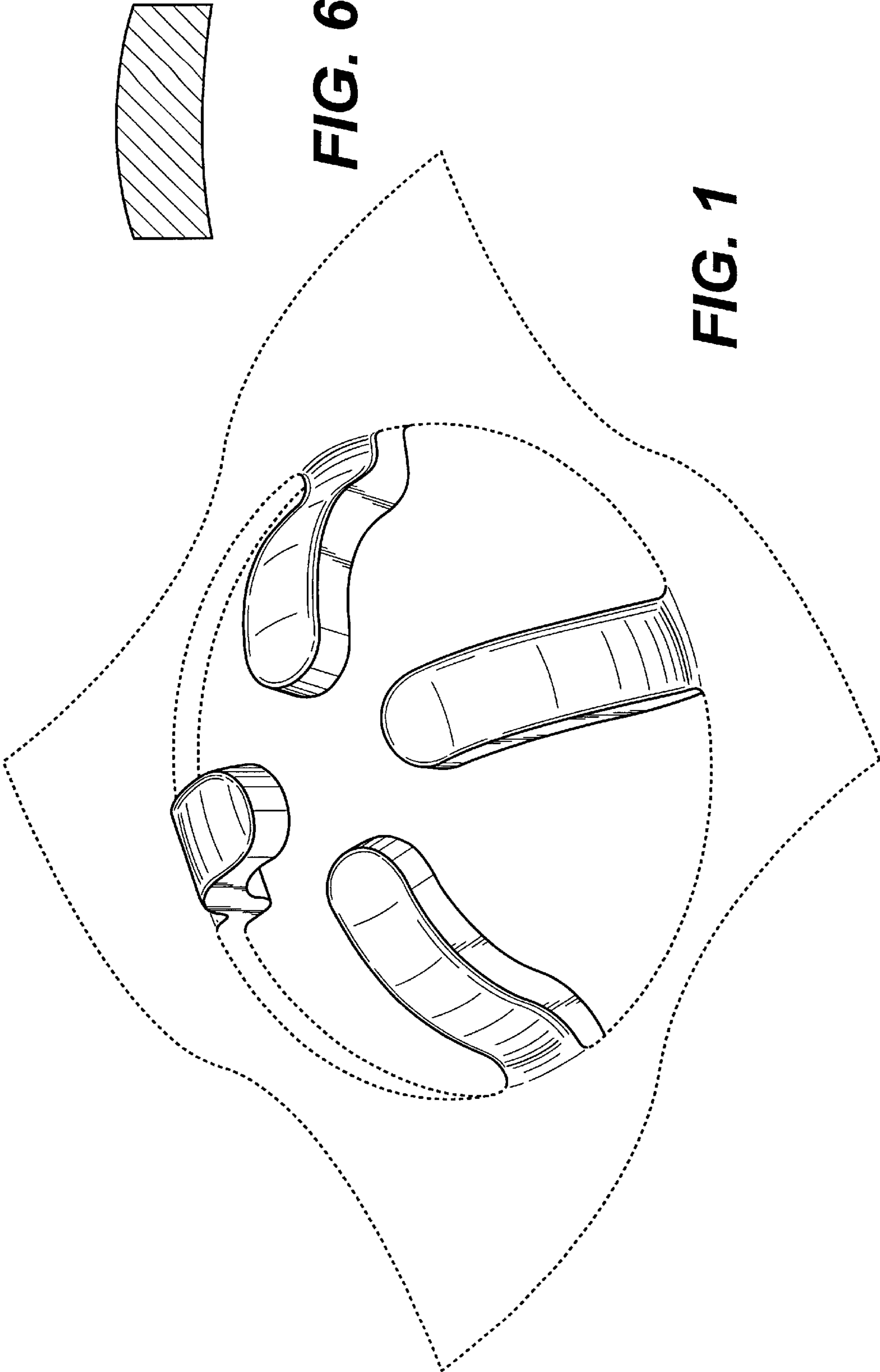
FIG. 5 is a side view of the electrical connector flange; and,

FIG. 6 is a representative cross-sectional view of one of the depicted fingers of the electrical connector flange, taken along line VI—VI shown in FIG. 2.

The broken line showing of is for illustrative purposes only and forms no part of the claimed design.

1 Claim, 4 Drawing Sheets





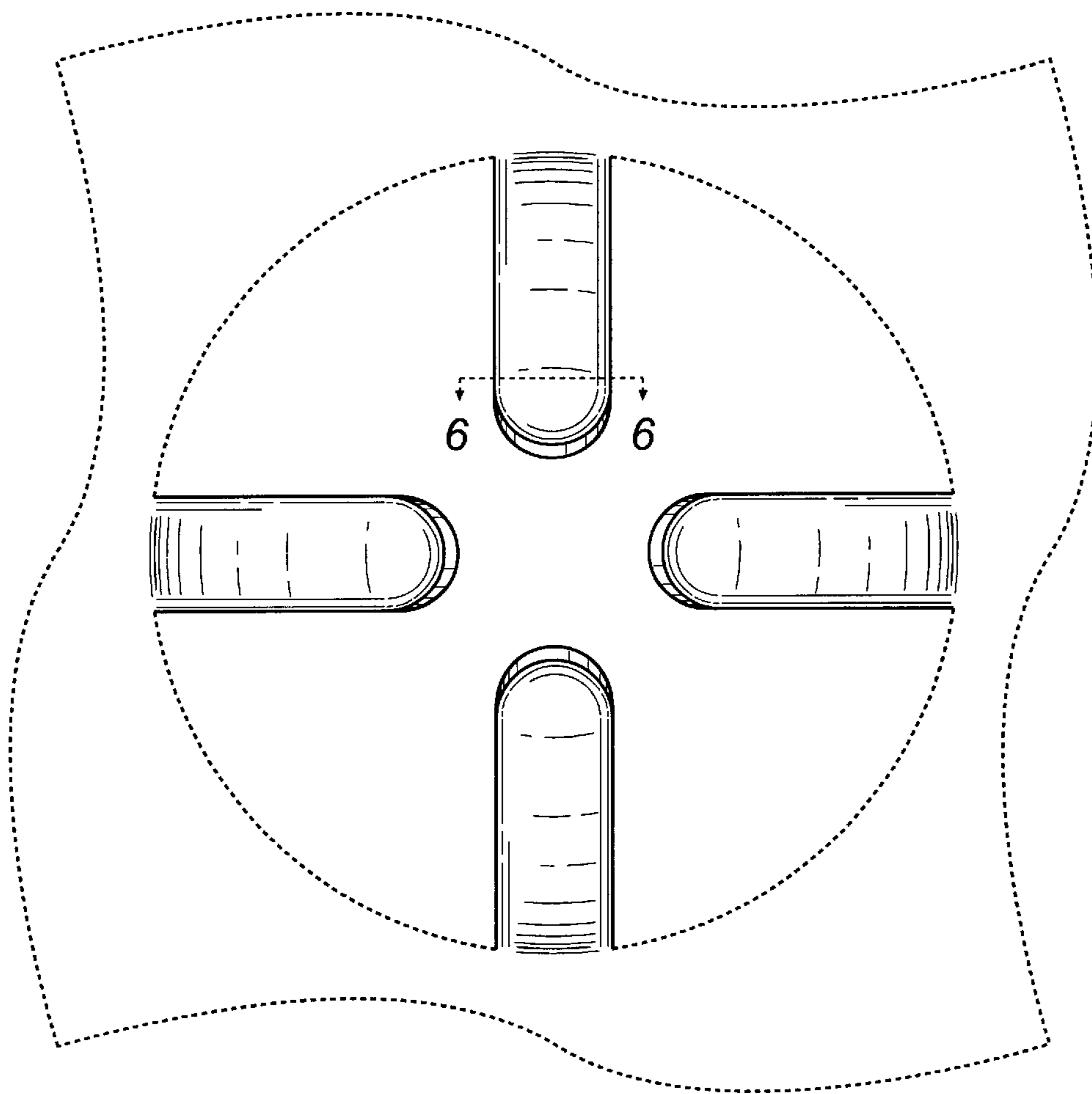


FIG. 2

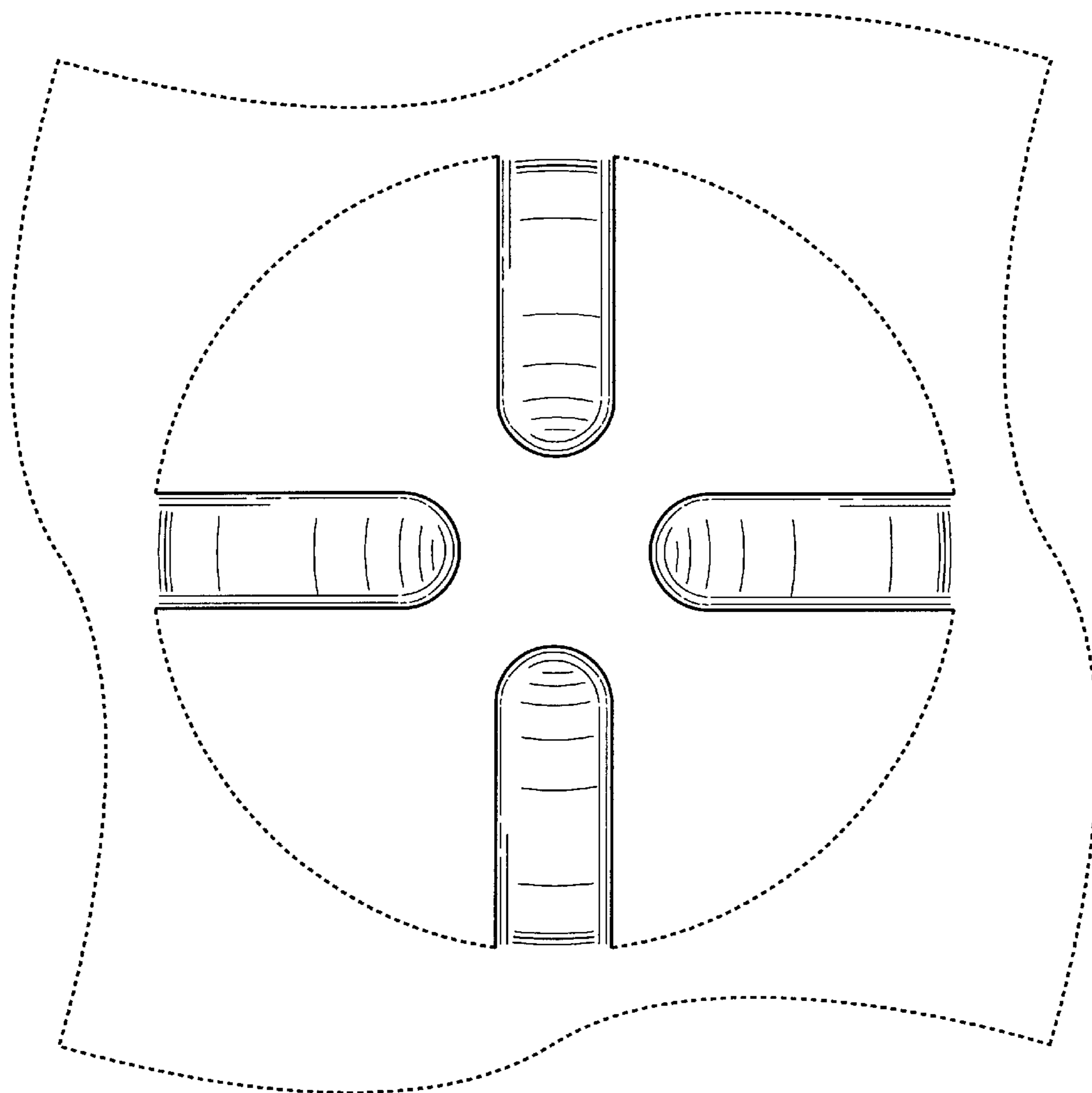


FIG. 3

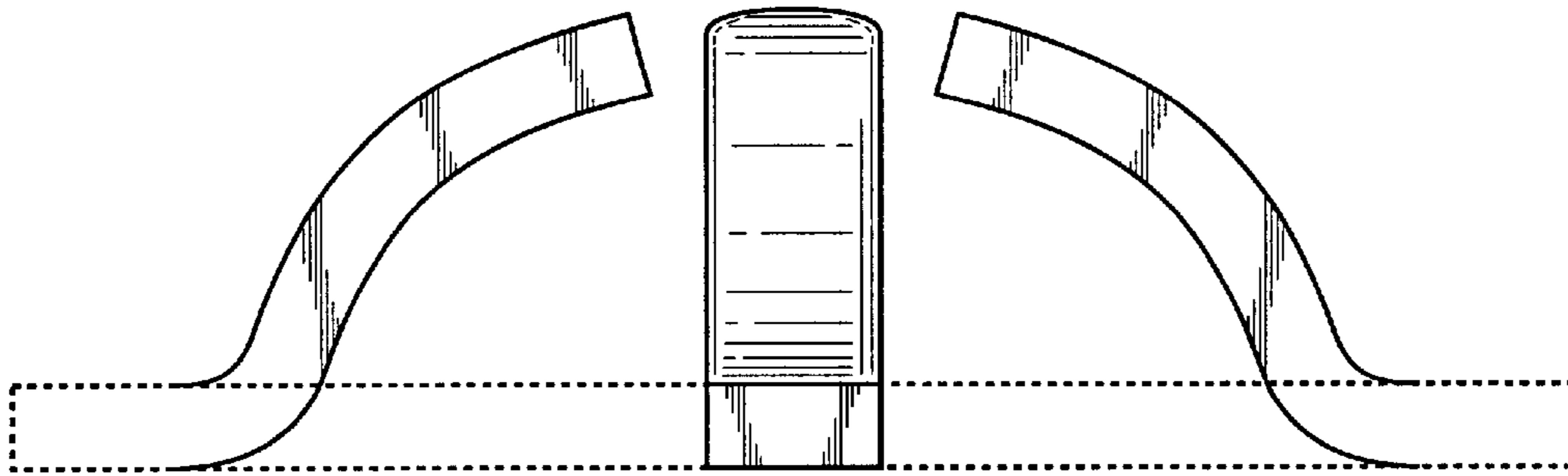


FIG. 4

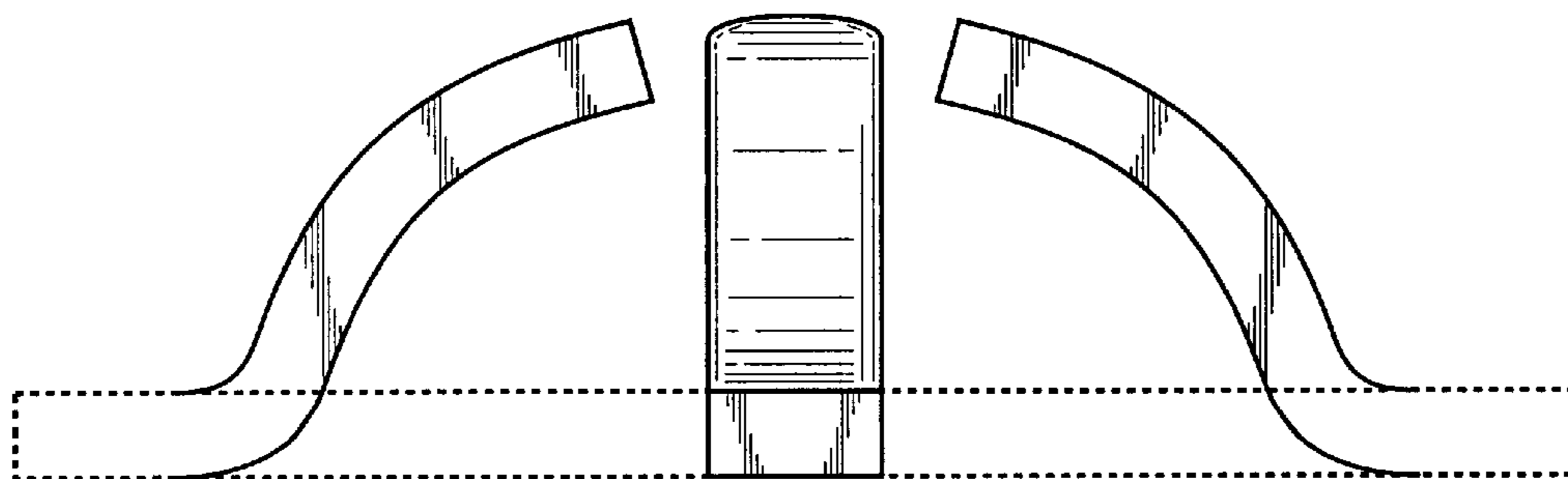


FIG. 5