



US00D524755S

(12) **United States Design Patent**
Kudo

(10) **Patent No.: US D524,755 S**
(45) **Date of Patent: ** Jul. 11, 2006**

(54) **ELECTRICAL CONNECTOR HOUSING**

(75) Inventor: **Tsutomu Kudo**, Ibaragi (JP)

(73) Assignee: **Tyco Electronics AMP K.K.**,
Kanagawa-Ken (JP)

(**) Term: **14 Years**

(21) Appl. No.: **29/232,091**

(22) Filed: **Jun. 14, 2005**

(30) **Foreign Application Priority Data**

Dec. 15, 2004 (JP) 2004-038386

(51) **LOC (8) Cl.** **13-03**

(52) **U.S. Cl.** **D13/147**

(58) **Field of Classification Search** D13/133,
D13/146-147, 154, 184, 199; 439/247-248,
439/350, 352, 354, 357, 374, 489, 680
See application file for complete search history.

(56) **References Cited**

U.S. PATENT DOCUMENTS

D196,111 S *	8/1963	Krehbiel et al.	D13/147
D210,533 S *	3/1968	Pauza	D13/147
D316,703 S *	5/1991	Eto et al.	D13/147
D322,956 S *	1/1992	Takenouchi et al.	D13/146
5,628,648 A *	5/1997	Higgins et al.	439/489
5,651,697 A *	7/1997	Cinquegrani et al.	439/557

D410,629 S *	6/1999	Bandura et al.	D13/147
6,428,346 B1 *	8/2002	Torii	439/489
D479,199 S *	9/2003	Jones et al.	D13/147
6,884,106 B1 *	4/2005	Shuman et al.	439/358
D508,677 S *	8/2005	Chau et al.	D13/146

OTHER PUBLICATIONS

AMP Representative Terminals and Connectors, issued in Aug. 1994 p. 504, Wire to Board Connectors (3 pages).

* cited by examiner

Primary Examiner—Prabhakar Deshmukh

Assistant Examiner—Daniel Bui

(74) *Attorney, Agent, or Firm*—Barley Snyder LLC

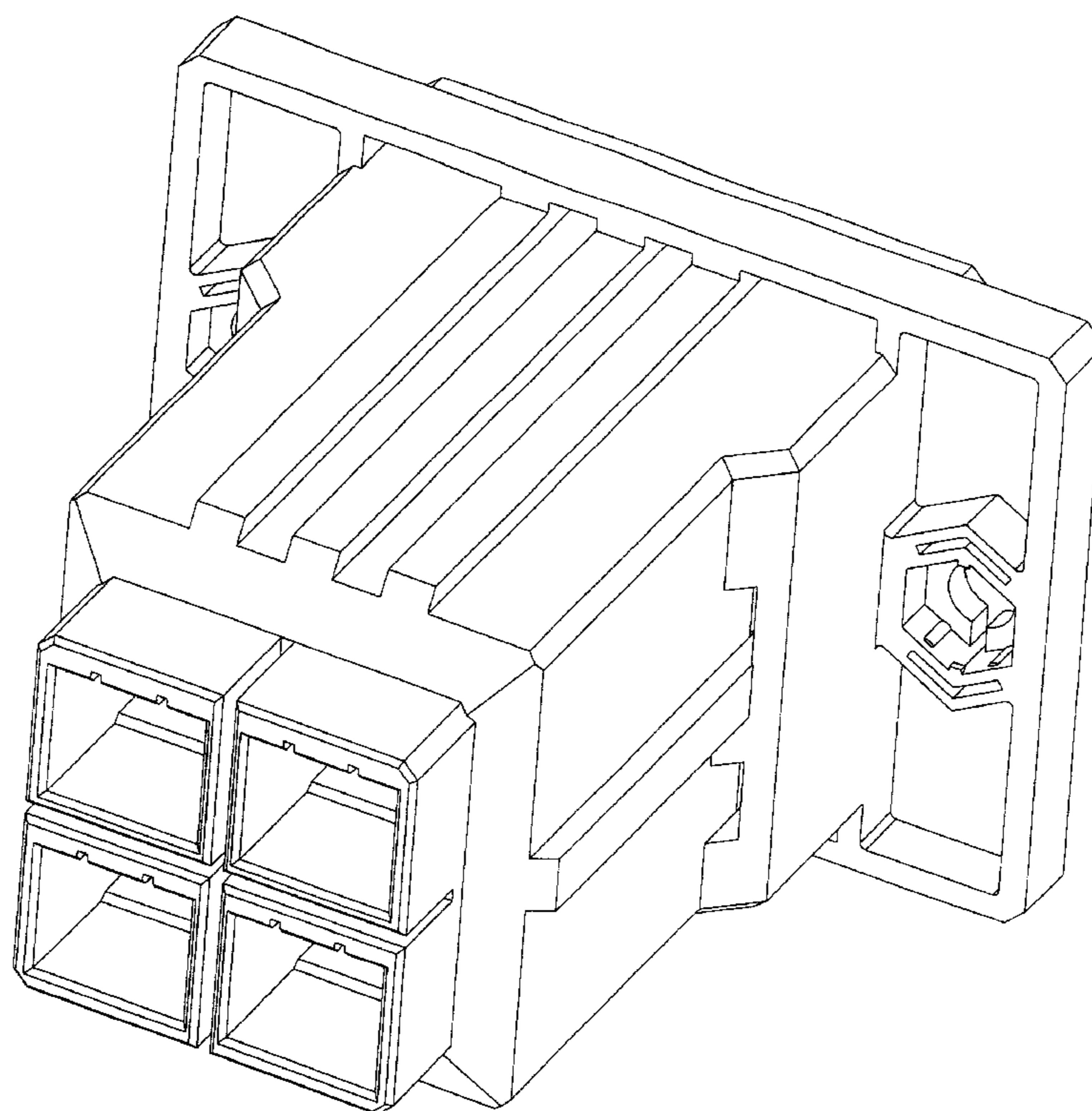
(57) **CLAIM**

The ornamental design for an electrical connector housing, as shown and described.

DESCRIPTION

FIG. 1 is a front elevation view of an electrical housing connector, showing my new design;
FIG. 2 is a top plan view thereof;
FIG. 3 is a right side elevation view thereof;
FIG. 4 is a rear elevation view thereof;
FIG. 5 is a perspective view from a bottom, front and right side thereof; and,
FIG. 6 is a perspective view a top, rear and left side thereof.

1 Claim, 6 Drawing Sheets



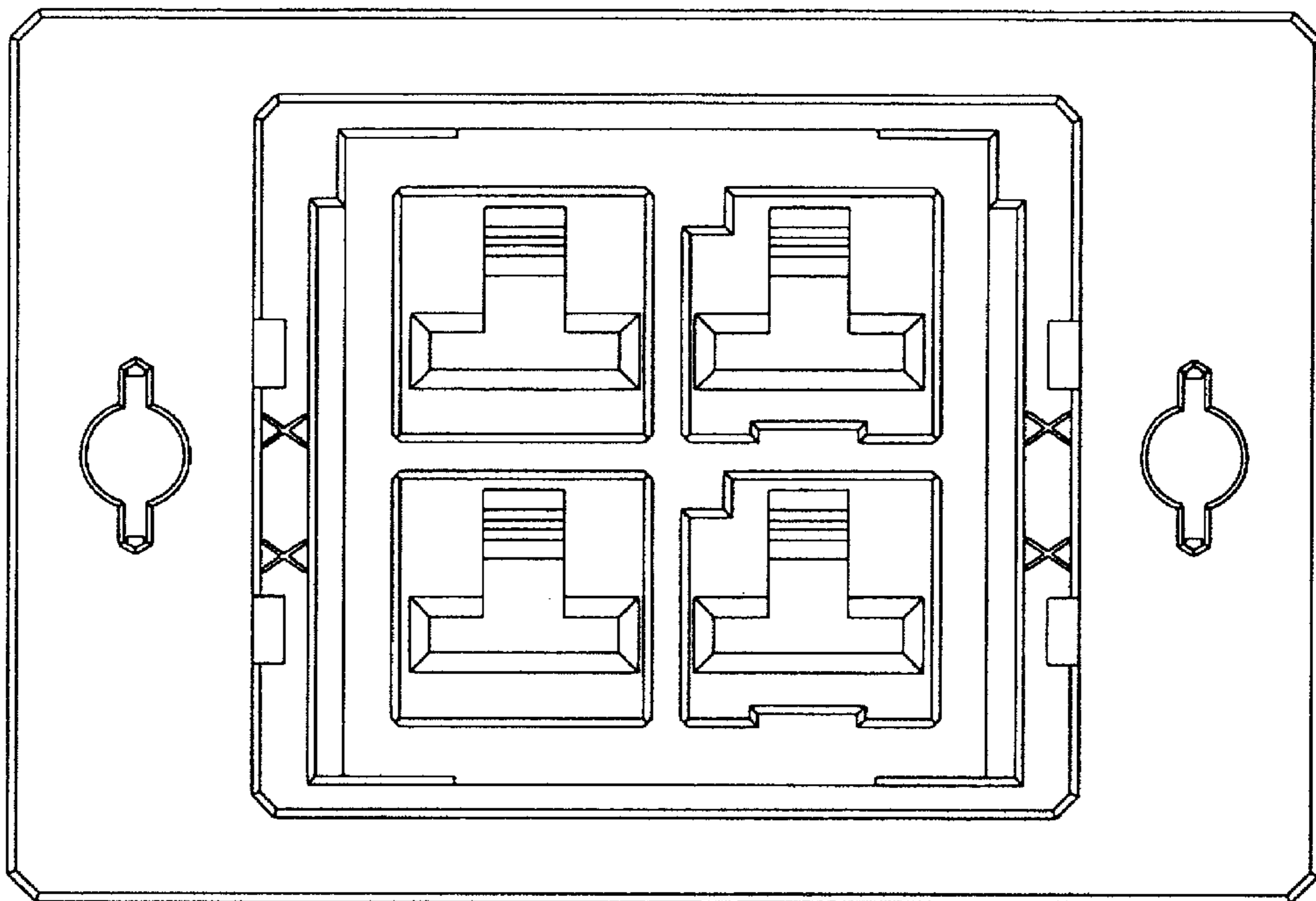


FIG. 1

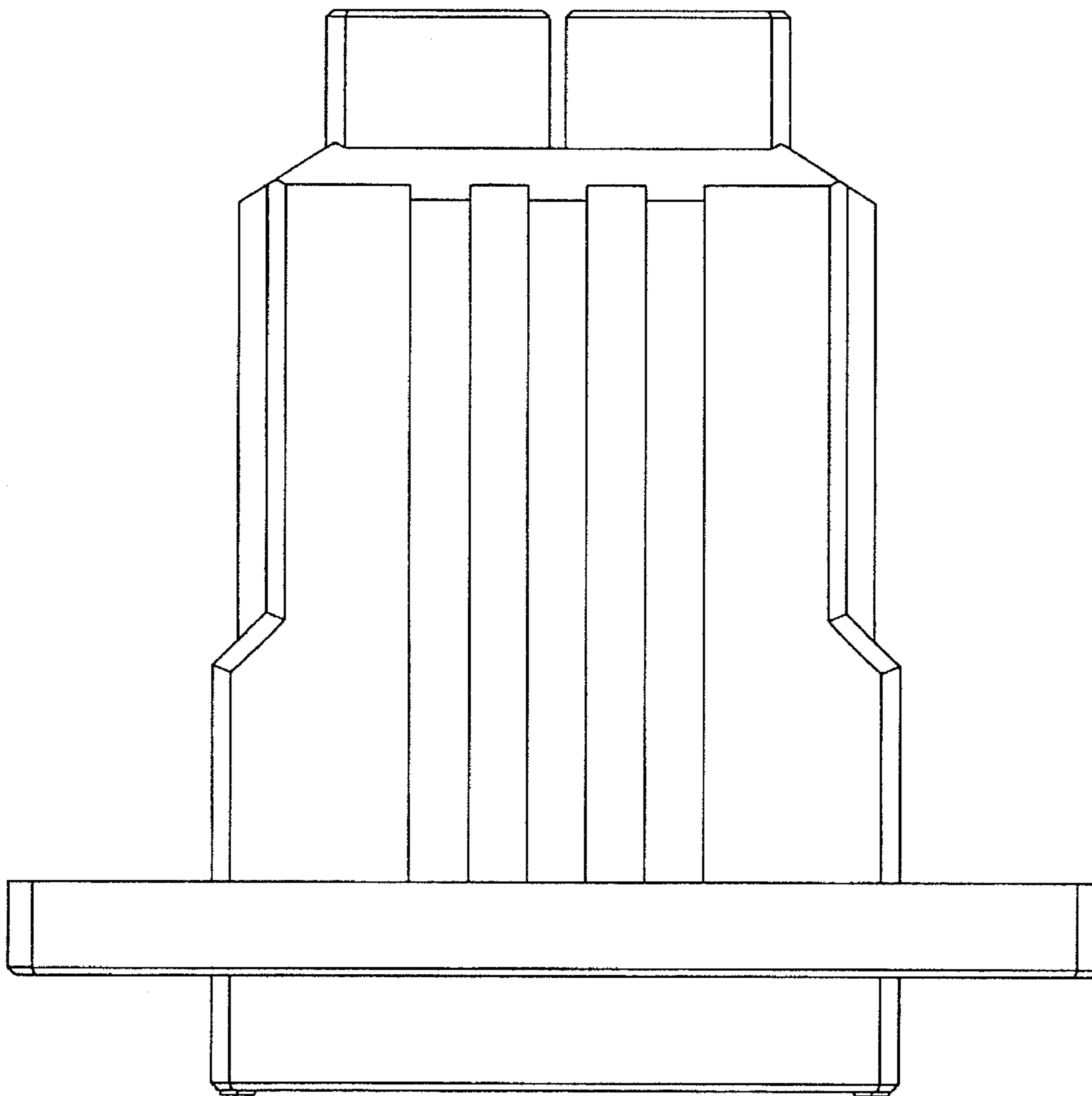


FIG. 2

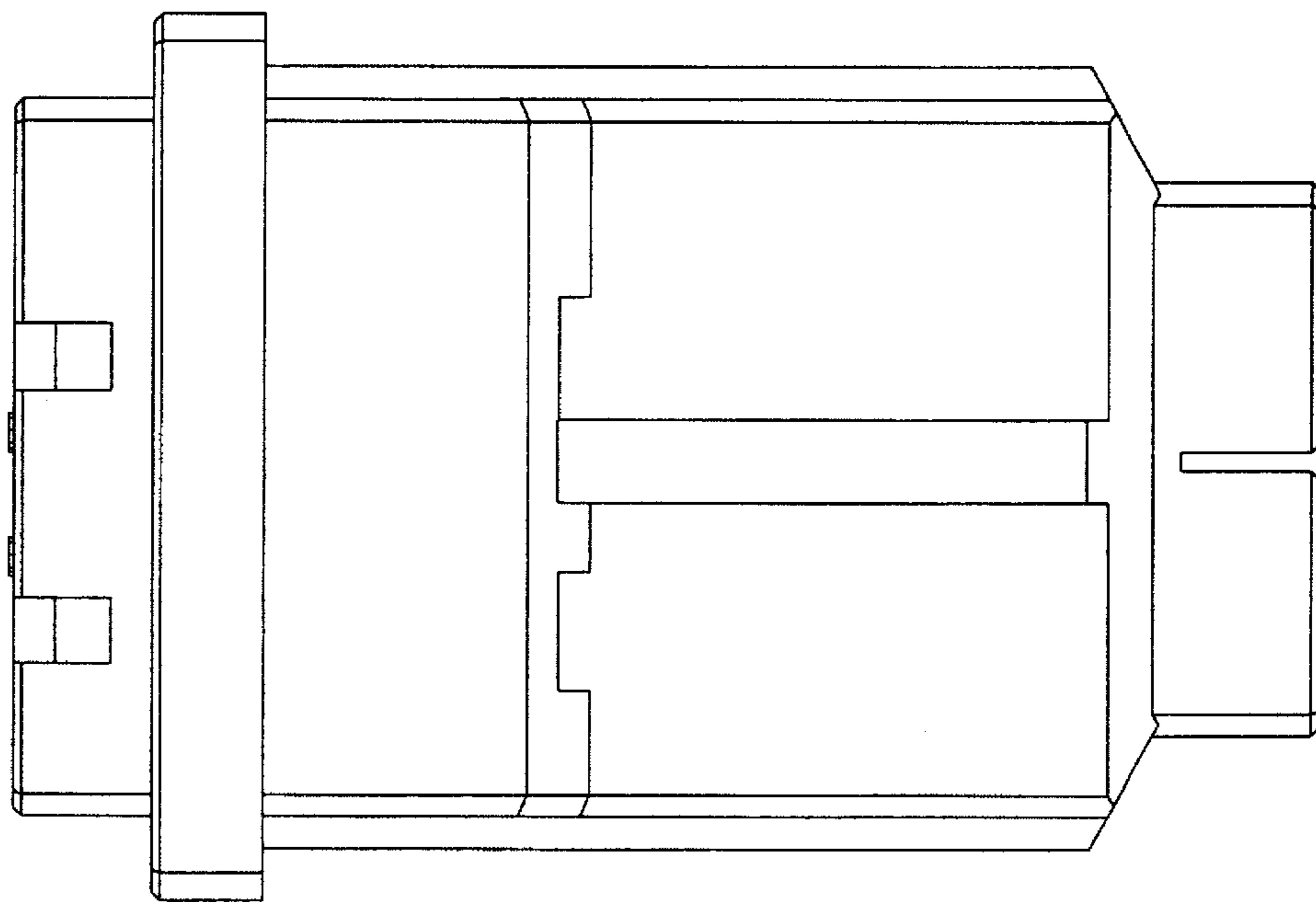


FIG. 3

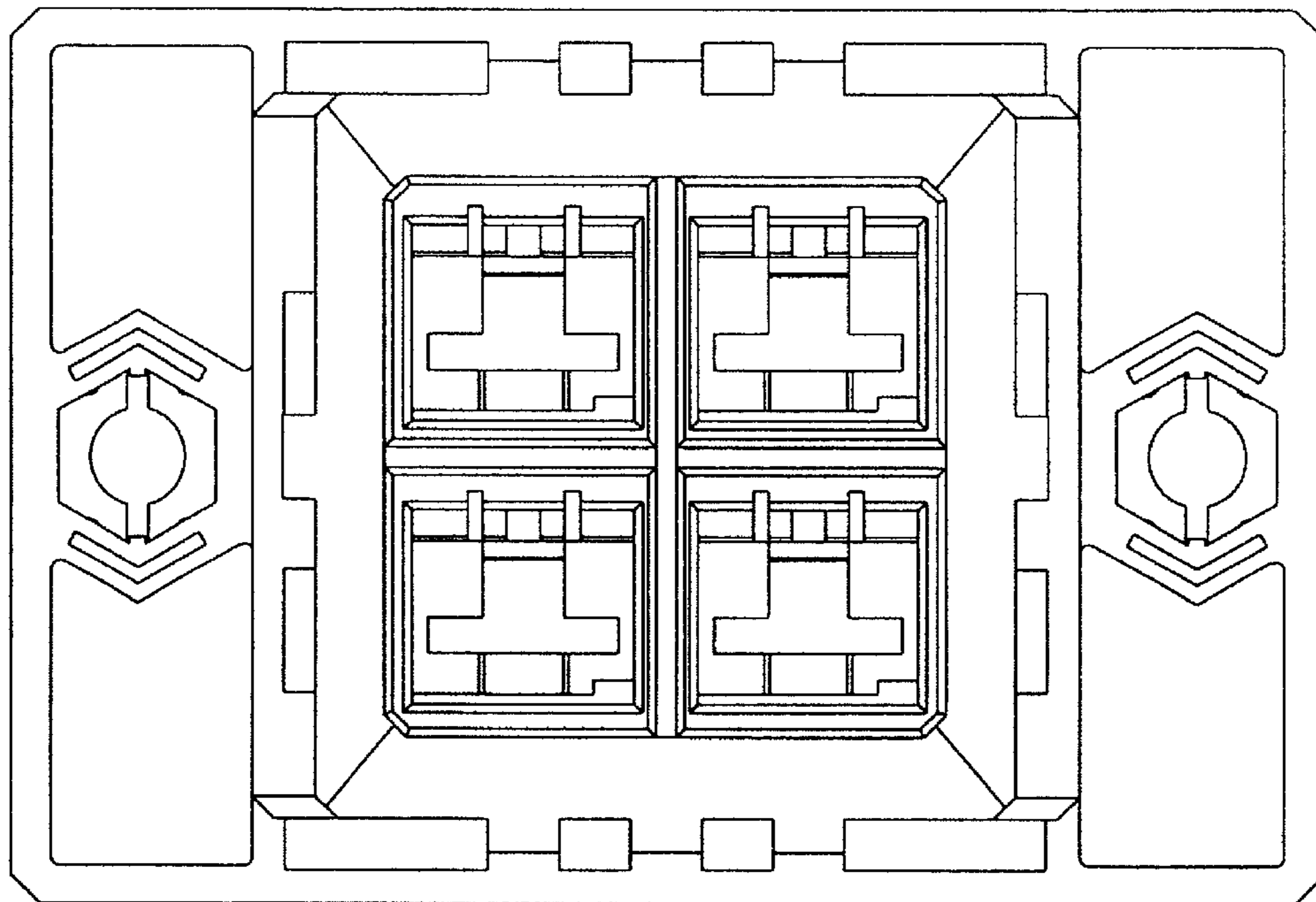


FIG. 4

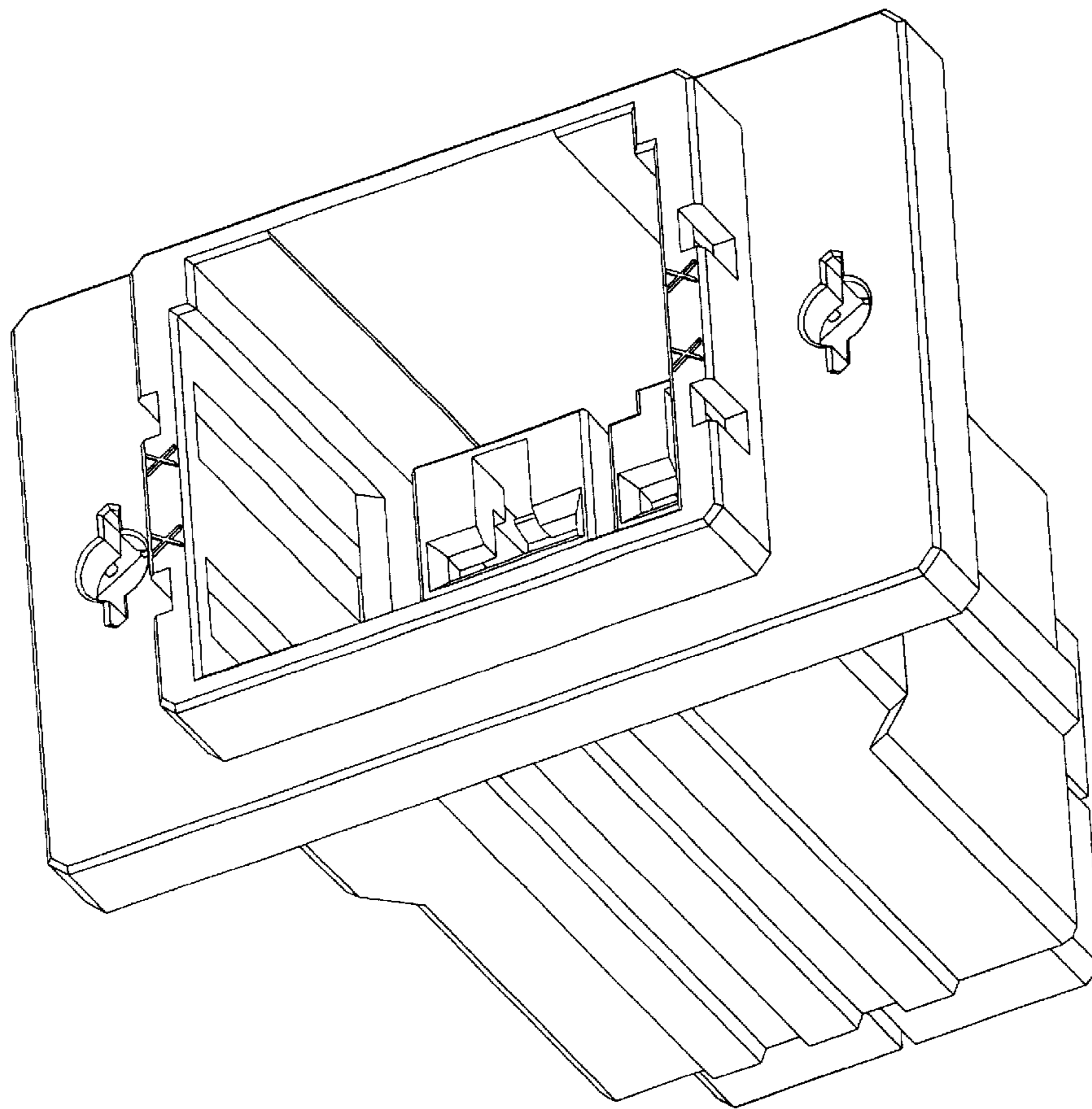


FIG. 5

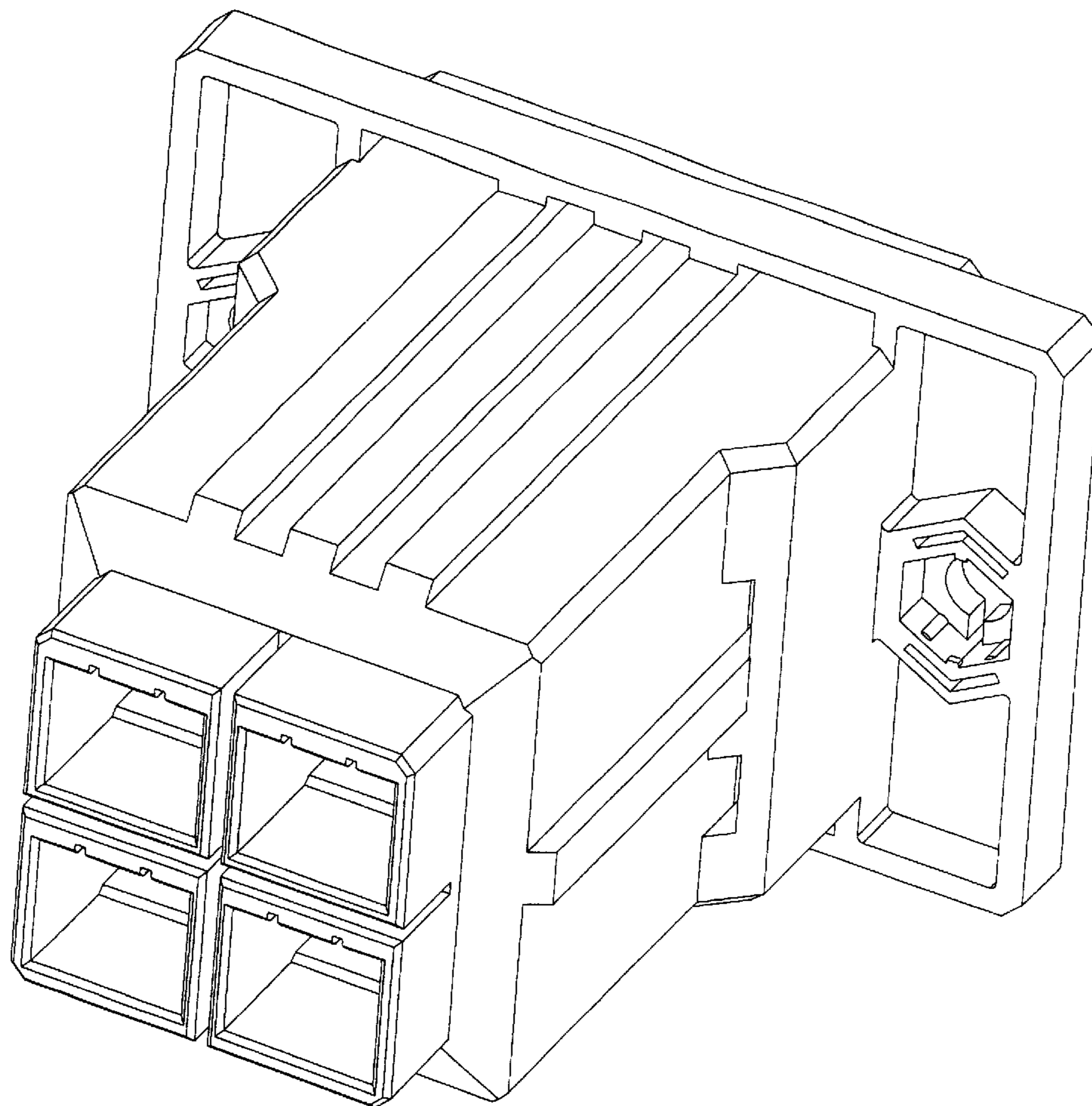


FIG. 6

UNITED STATES PATENT AND TRADEMARK OFFICE
CERTIFICATE OF CORRECTION

PATENT NO. : Des. 524,755 S
APPLICATION NO. : 29/232091
DATED : July 11, 2006
INVENTOR(S) : Tsutomu Kudo

Page 1 of 1

It is certified that error appears in the above-identified patent and that said Letters Patent is hereby corrected as shown below:

TITLE PAGE, DESCRIPTION,

In Fig. 1, "electrical housing connector" should read --electrical connector housing --

In Fig. 5, delete "froma" and insert --from a --

In Fig. 6, after "view" insert --from--

Signed and Sealed this

Twenty-first Day of November, 2006

A handwritten signature in black ink on a light gray dotted background. The signature reads "Jon W. Dudas" in a cursive style.

JON W. DUDAS

Director of the United States Patent and Trademark Office