



US00D524753S

(12) **United States Design Patent**  
**Asakawa et al.**

(10) **Patent No.: US D524,753 S**

(45) **Date of Patent: \*\* Jul. 11, 2006**

(54) **ELECTRIC CONNECTOR**

(75) Inventors: **Kazushige Asakawa**, Yokohama (JP);  
**Tatsuya Miyazaki**, Tokyo (JP)

(73) Assignee: **Molex Incorporated**, Lisle, IL (US)

(\*\*) Term: **14 Years**

(21) Appl. No.: **29/227,403**

(22) Filed: **Apr. 11, 2005**

(30) **Foreign Application Priority Data**

Oct. 27, 2004 (JP) ..... 2004-032589

(51) **LOC (8) Cl.** ..... **13-03**

(52) **U.S. Cl.** ..... **D13/147**

(58) **Field of Classification Search** ..... D13/133,  
D13/146-147, 154, 184, 199; 439/108, 352-354,  
439/357-358, 532-533, 607-610, 660, 752  
See application file for complete search history.

(56) **References Cited**

**U.S. PATENT DOCUMENTS**

- D295,850 S \* 5/1988 Kikuta ..... D13/147
- D314,753 S \* 2/1991 Endo et al. .... D13/147
- D314,755 S \* 2/1991 Endo et al. .... D13/147

- D314,756 S \* 2/1991 Endo et al. .... D13/147
- D315,331 S \* 3/1991 Yamamoto ..... D13/146
- 6,383,011 B1 \* 5/2002 Chen ..... 439/358
- D459,309 S \* 6/2002 Tanaka ..... D13/147
- D488,446 S \* 4/2004 Sato ..... D13/147
- D503,151 S \* 3/2005 Lai et al. .... D13/147

\* cited by examiner

*Primary Examiner*—Prabhakar Deshmukh

*Assistant Examiner*—Daniel Bui

(74) *Attorney, Agent, or Firm*—Stephen Z. Weiss

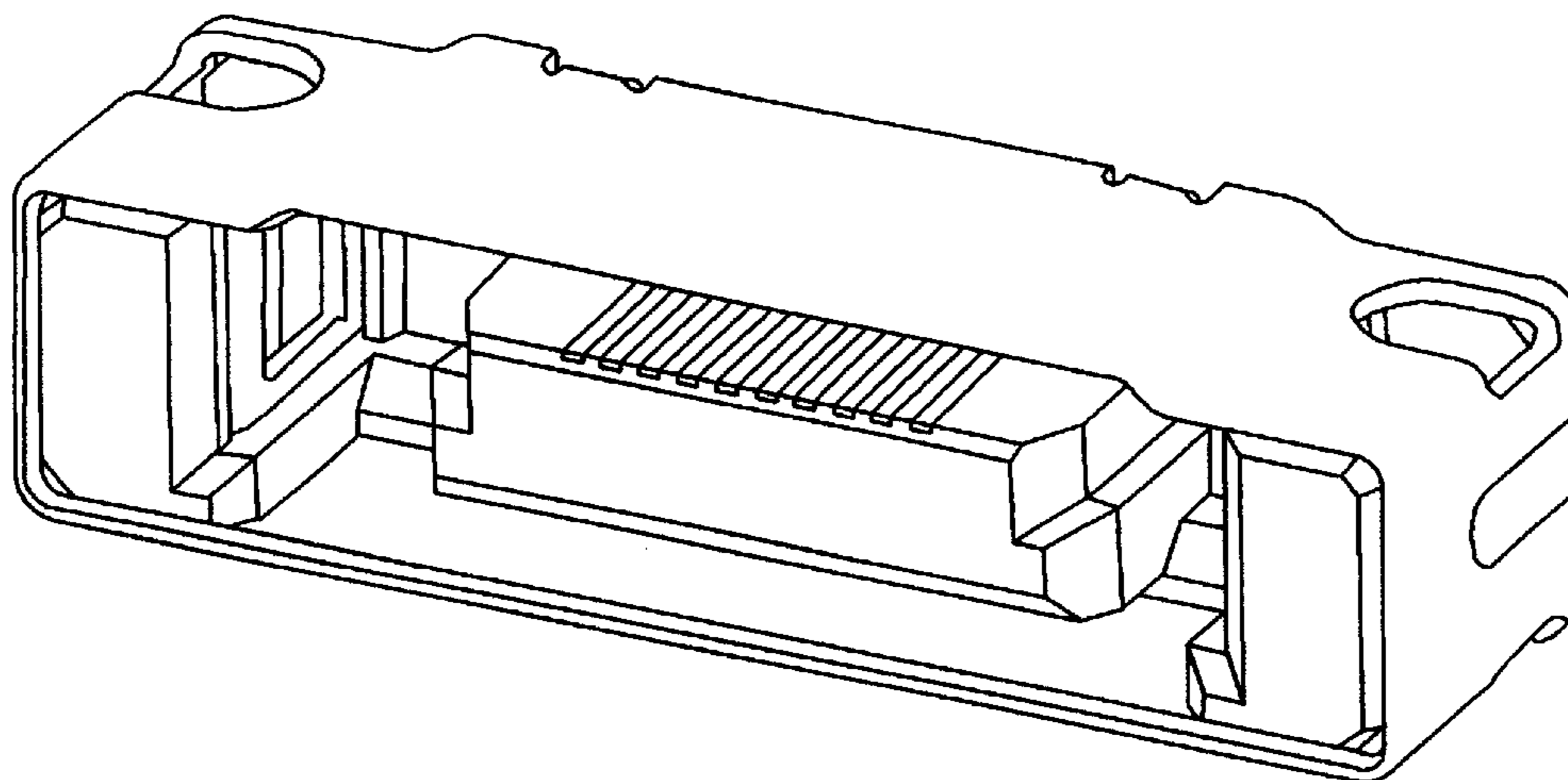
(57) **CLAIM**

The ornamental design for an electric connector, as shown and described.

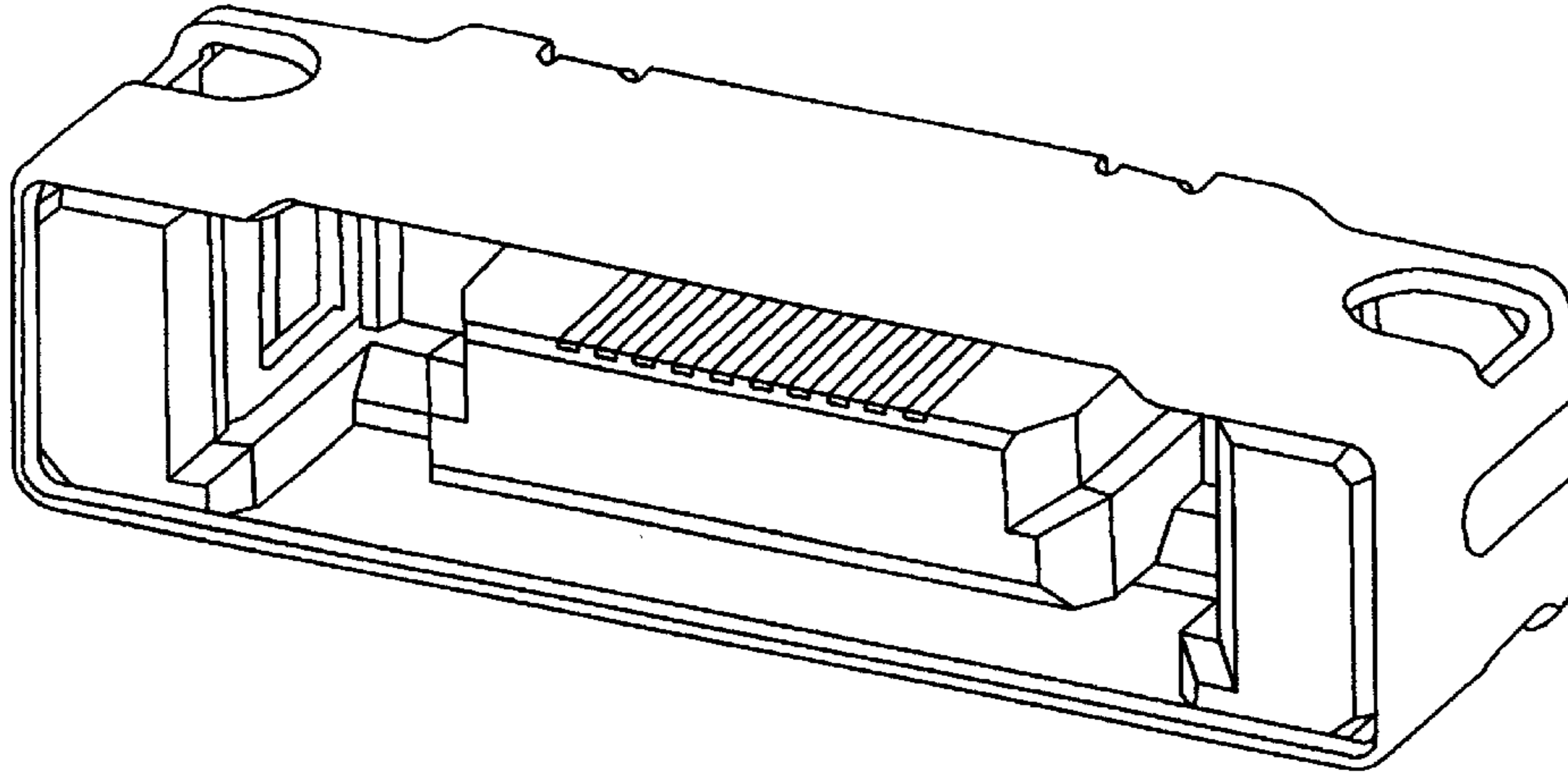
**DESCRIPTION**

FIG. 1 is a top, front and side perspective view of an electric connector showing our new design;  
 FIG. 2 is a front view thereof;  
 FIG. 3 is a rear view thereof;  
 FIG. 4 is a side view thereof;  
 FIG. 5 is a side view thereof from the side opposite that shown in FIG. 4; and,  
 FIG. 6 is a bottom view thereof.

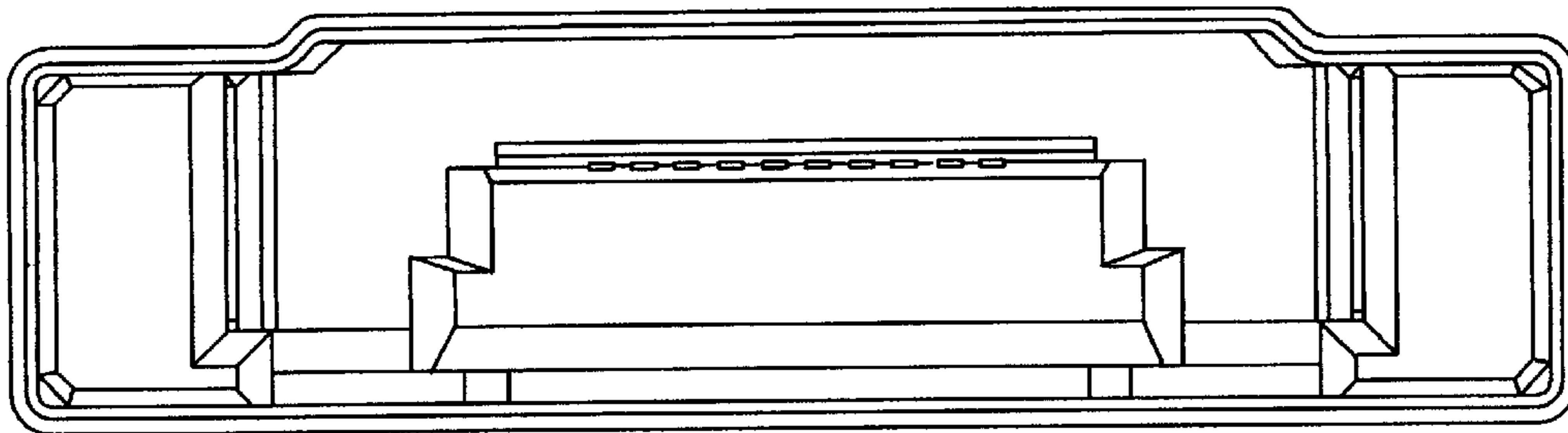
**1 Claim, 2 Drawing Sheets**



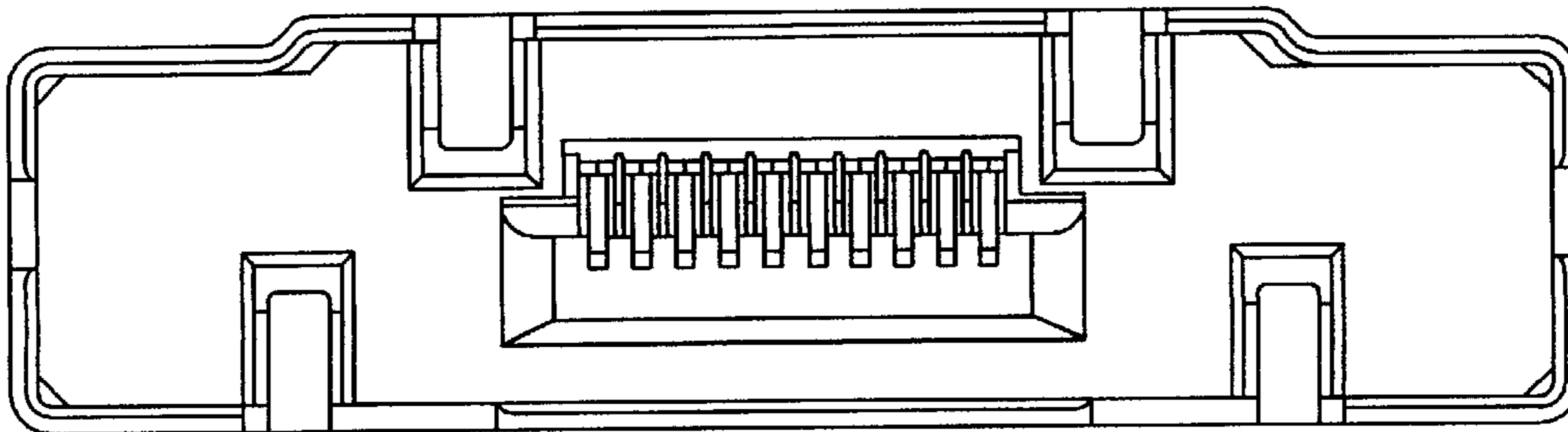
**FIG. 1**



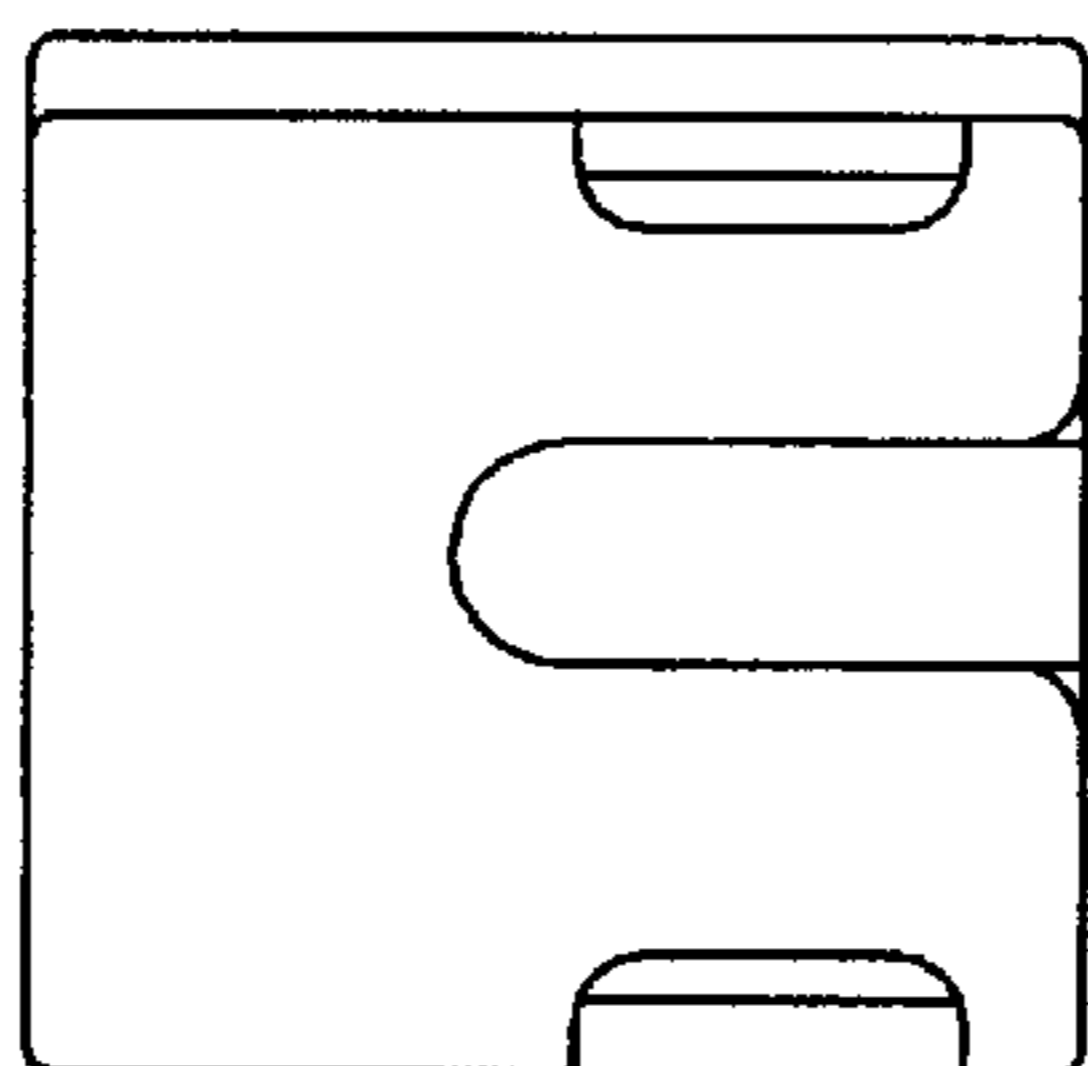
**FIG. 2**



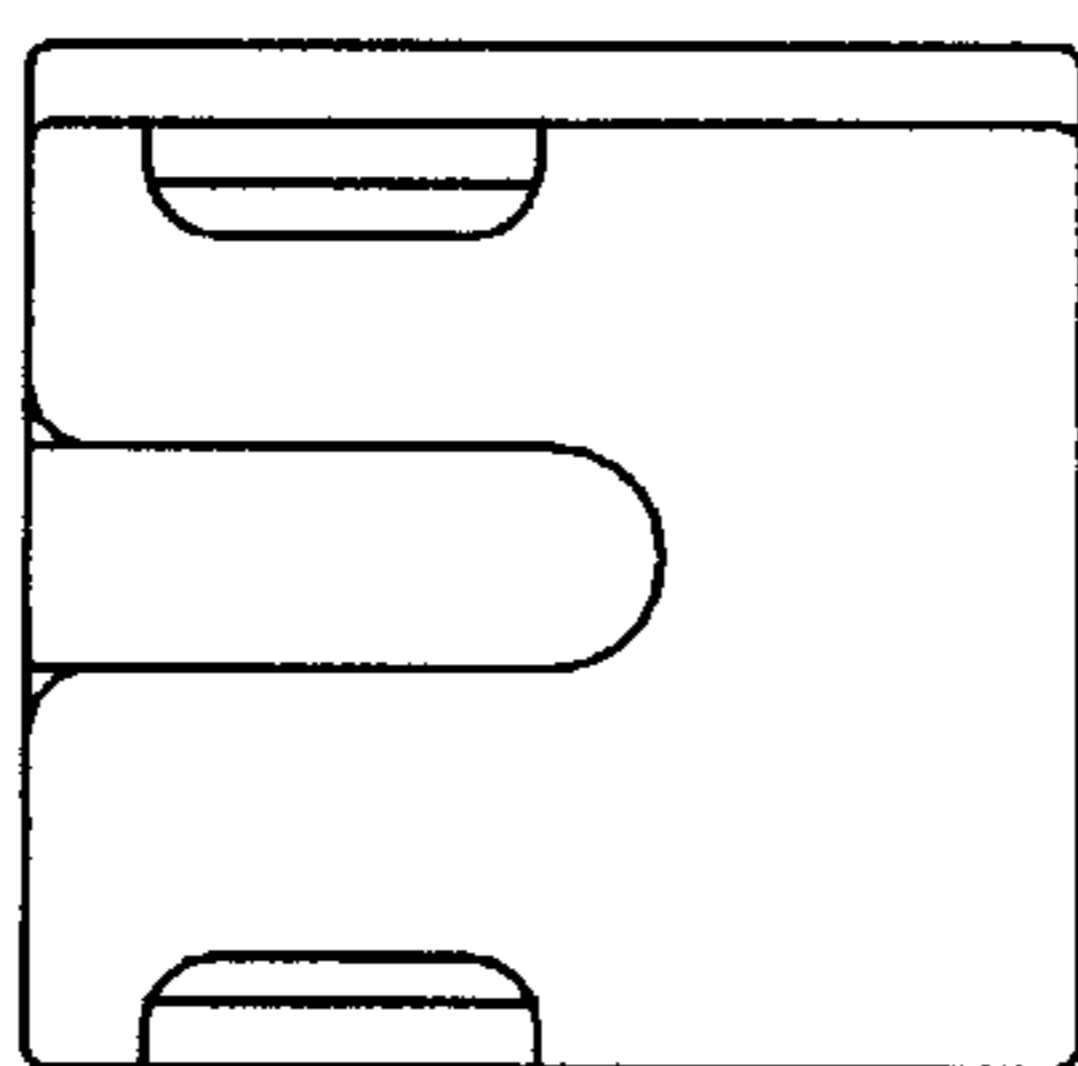
**FIG. 3**



**FIG. 4**



**FIG. 5**



**FIG. 6**

