

US00D524752S

(12) **United States Design Patent**  
**Nakamura et al.**

(10) **Patent No.:** **US D524,752 S**

(45) **Date of Patent:** **\*\* \*Jul. 11, 2006**

(54) **ELECTRICAL CONNECTOR**

(75) Inventors: **Keisuke Nakamura**, Tokyo (JP);  
**Masayuki Katayanagi**, Tokyo (JP)

(73) Assignee: **Japan Aviation Electronics Industry, Limited**, Tokyo (JP)

(\*) Notice: This patent is subject to a terminal disclaimer.

(\*\*) Term: **14 Years**

(21) Appl. No.: **29/226,334**

(22) Filed: **Mar. 28, 2005**

(30) **Foreign Application Priority Data**

Sep. 30, 2004 (JP) ..... 2004-033223

(51) **LOC (8) Cl.** ..... **13-03**

(52) **U.S. Cl.** ..... **D13/147**

(58) **Field of Classification Search** ..... D13/146,  
D13/147, 184, 199; 439/62, 83, 260, 329,  
439/358, 422, 495, 499, 607, 630  
See application file for complete search history.

(56) **References Cited**

**U.S. PATENT DOCUMENTS**

5,487,674 A \* 1/1996 Guzik et al. .... 439/83  
D378,208 S \* 2/1997 Saito ..... D13/147

D454,114 S \* 3/2002 Hayashi et al. .... D13/147  
D482,000 S \* 11/2003 Saito et al. .... D13/147  
D499,379 S \* 12/2004 Zhu et al. .... D13/147  
2001/0049231 A1 \* 12/2001 Bricaud ..... 439/630  
2004/0127098 A1 \* 7/2004 Kuo et al. .... 439/607  
2004/0175982 A1 \* 9/2004 Kuroda et al. .... 439/358  
2005/0118849 A1 \* 6/2005 Okita et al. .... 439/260

\* cited by examiner

*Primary Examiner*—Stella Reid  
*Assistant Examiner*—Daniel Bui

(74) *Attorney, Agent, or Firm*—Collard & Roe, P.C.

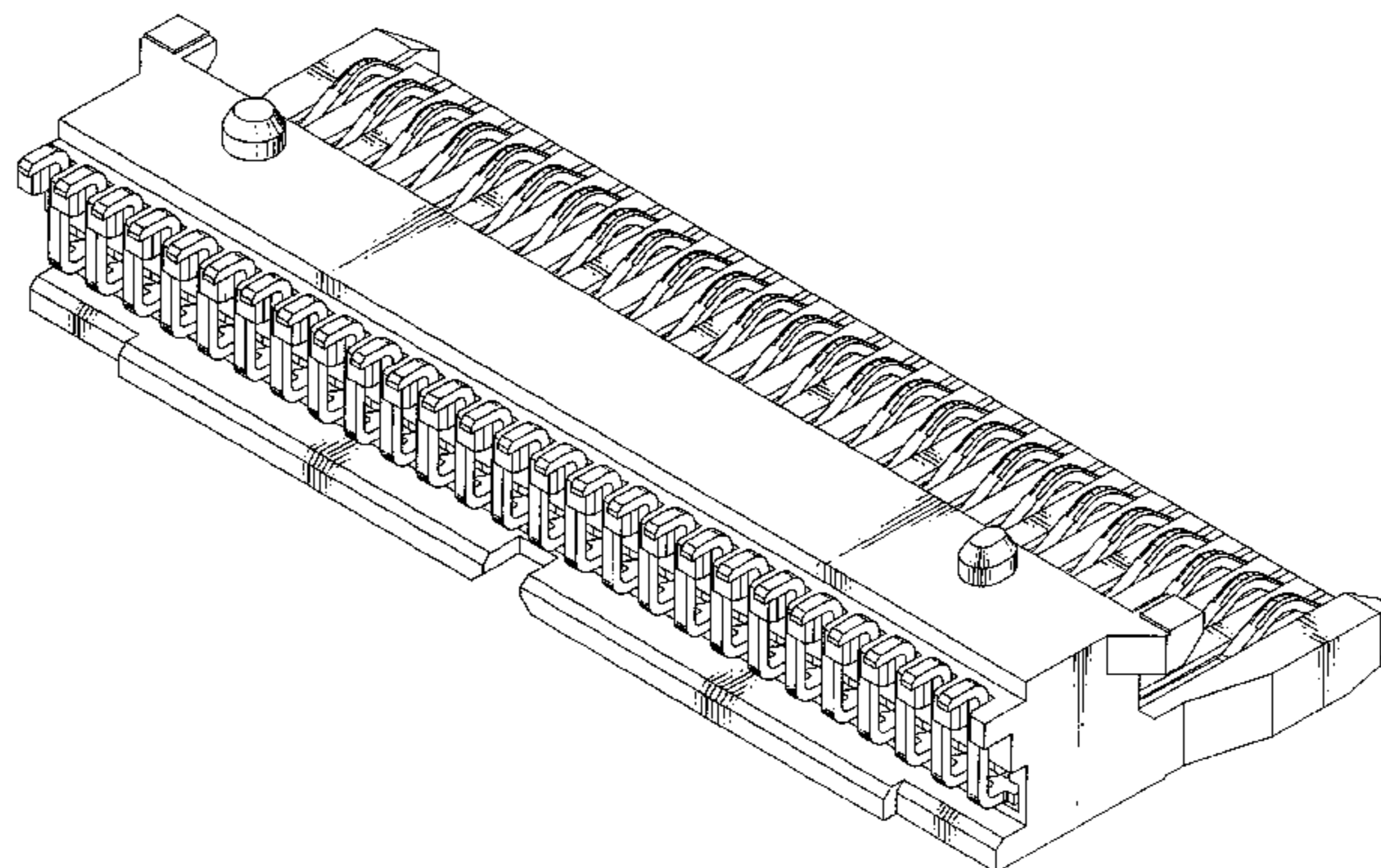
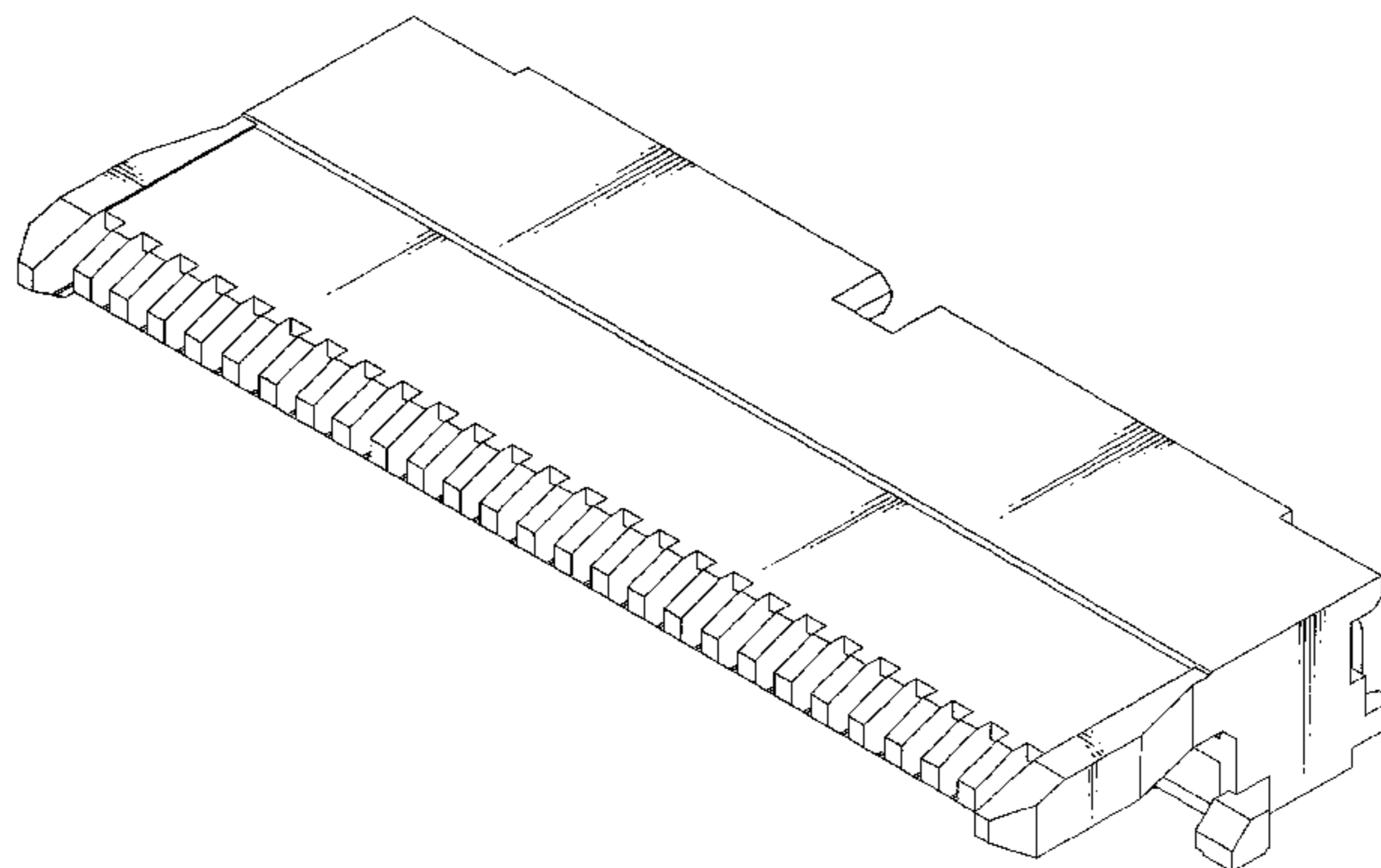
(57) **CLAIM**

The ornamental design for an electrical connector, as shown and described.

**DESCRIPTION**

FIG. 1 is a front elevational view of an electrical connector showing our new design.  
FIG. 2 is a rear elevational view thereof;  
FIG. 3 is a top plan view thereof;  
FIG. 4 is a bottom plan view thereof;  
FIG. 5 is a right side elevational view thereof;  
FIG. 6 is a left side elevational view thereof;  
FIG. 7 is a front, top, and right side perspective view thereof; and,  
FIG. 8 is a rear, bottom, and right side perspective view thereof.

**1 Claim, 6 Drawing Sheets**



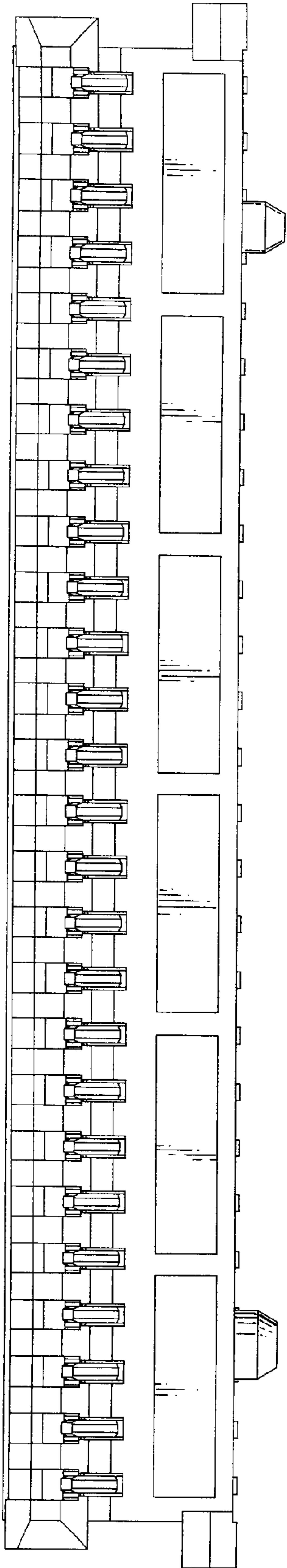


FIG. 1

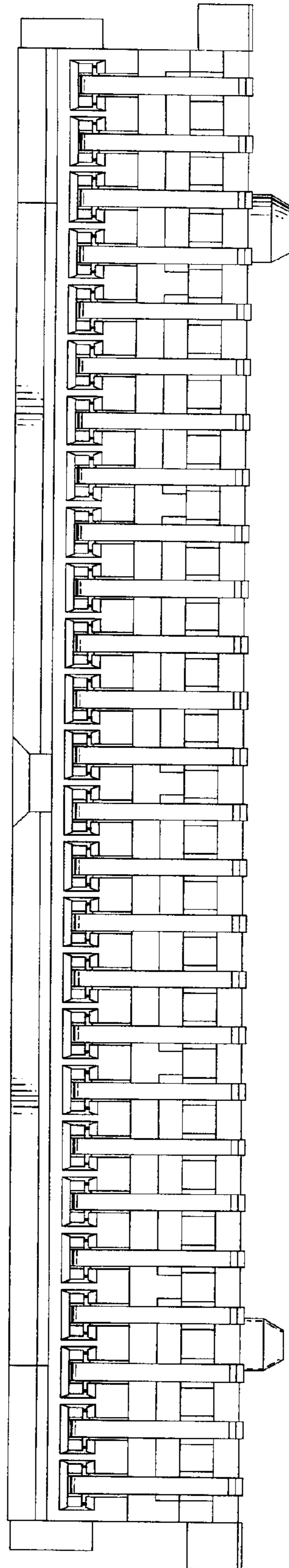


FIG. 2

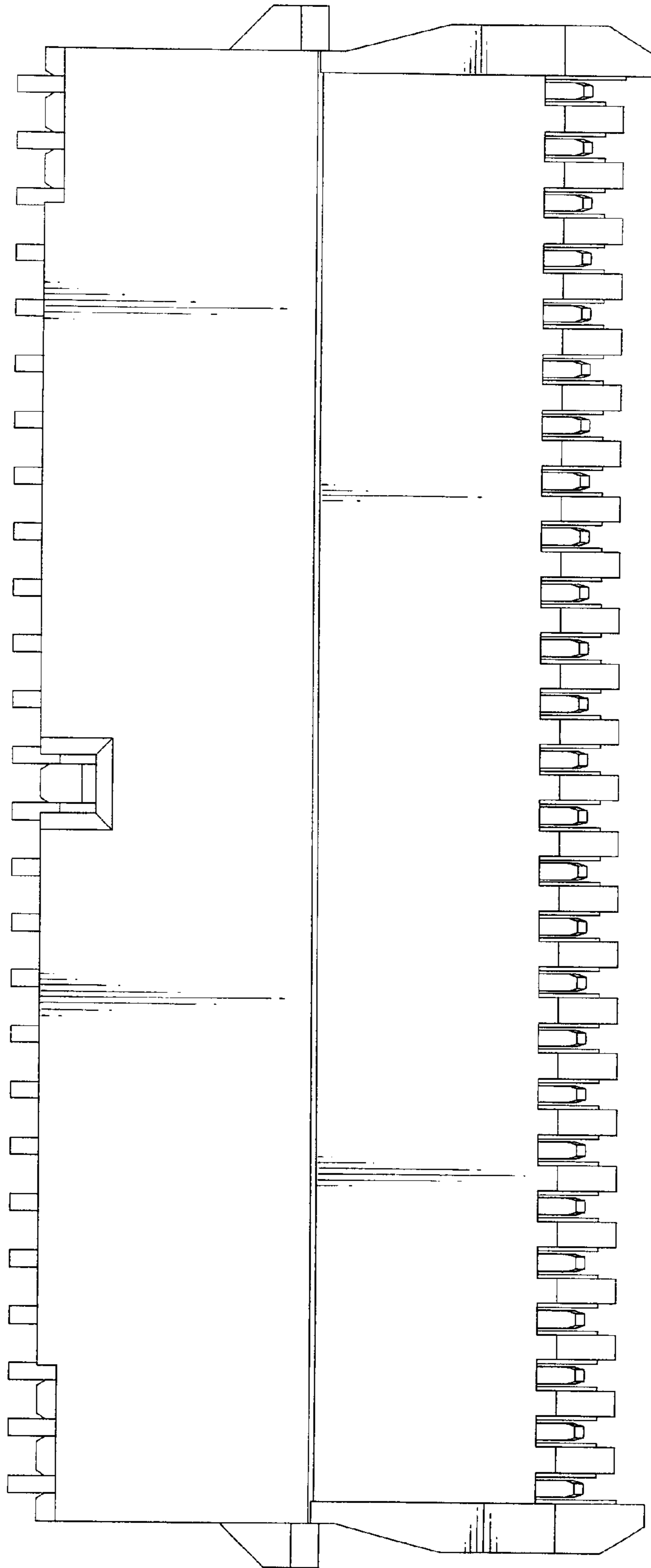


FIG. 3

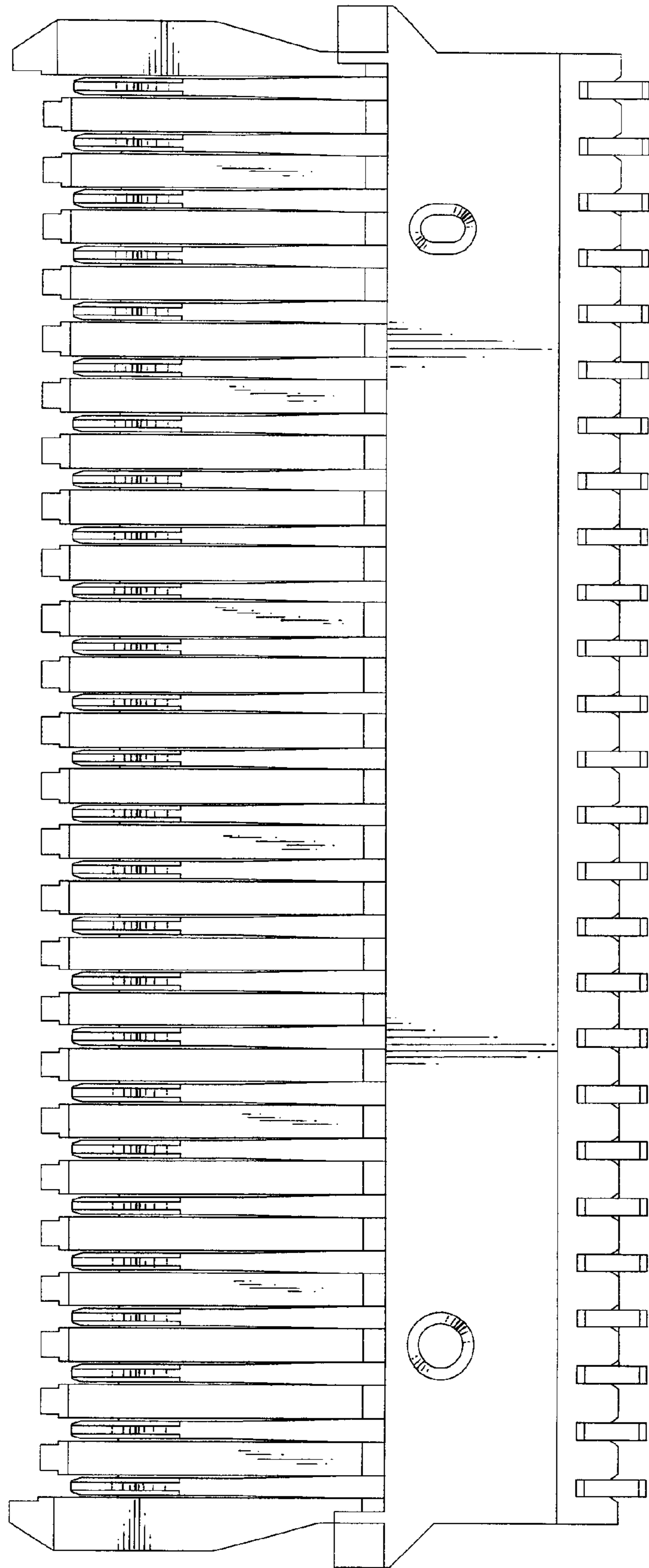


FIG. 4

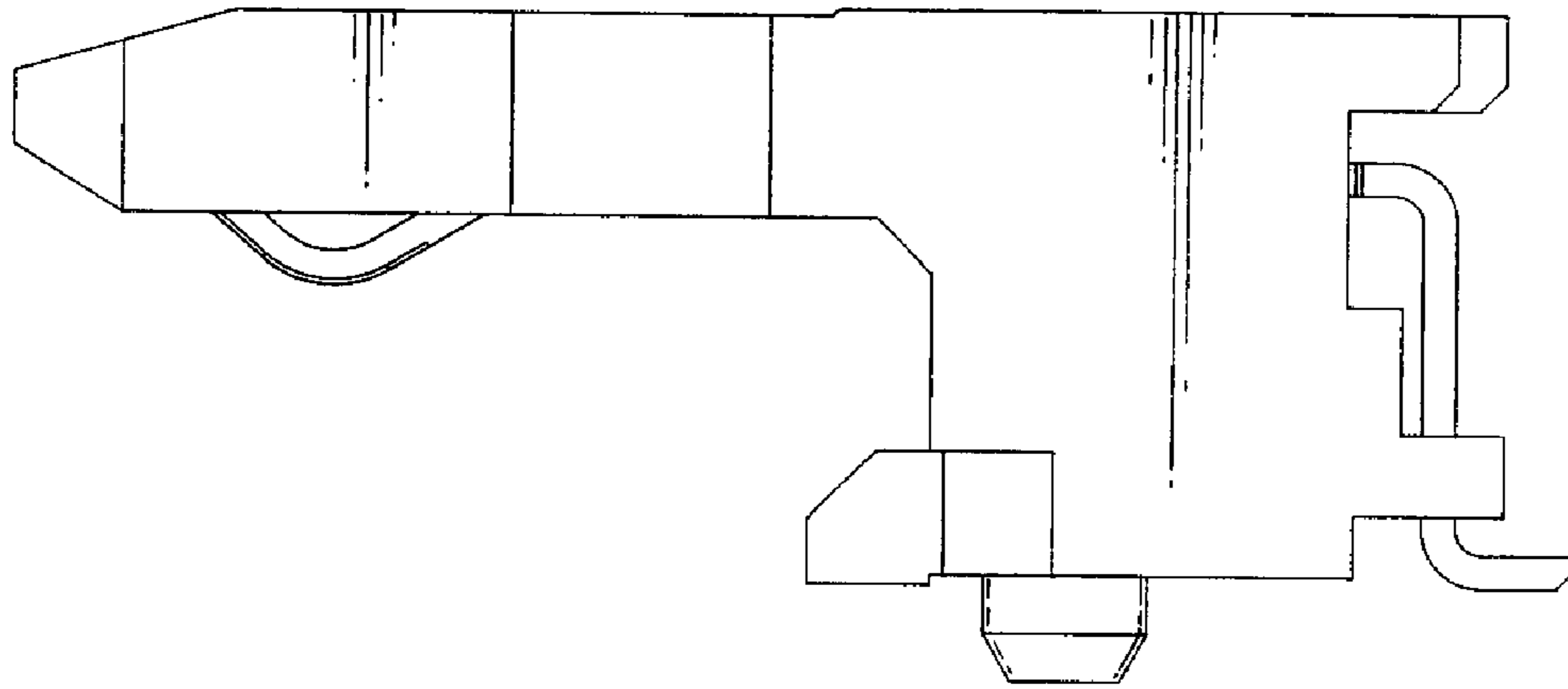


FIG. 5

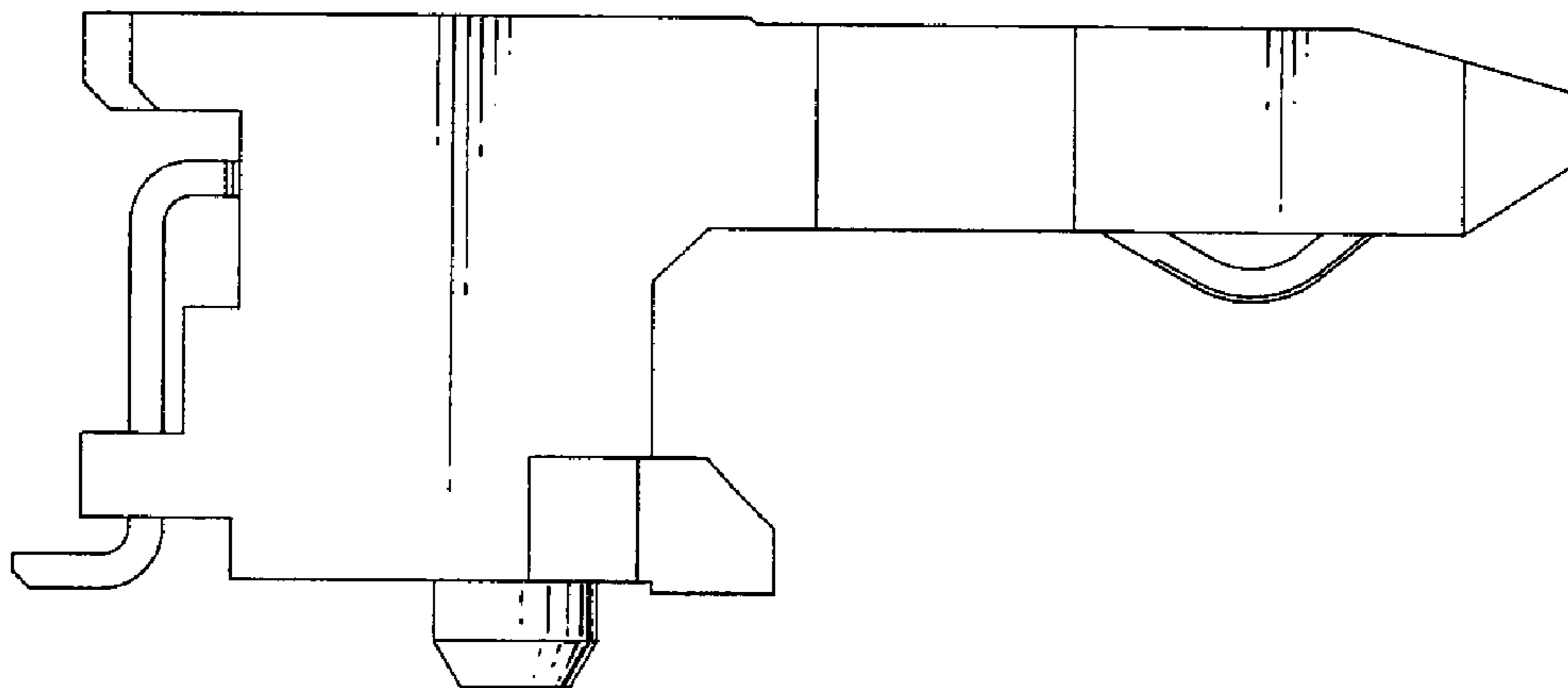


FIG. 6

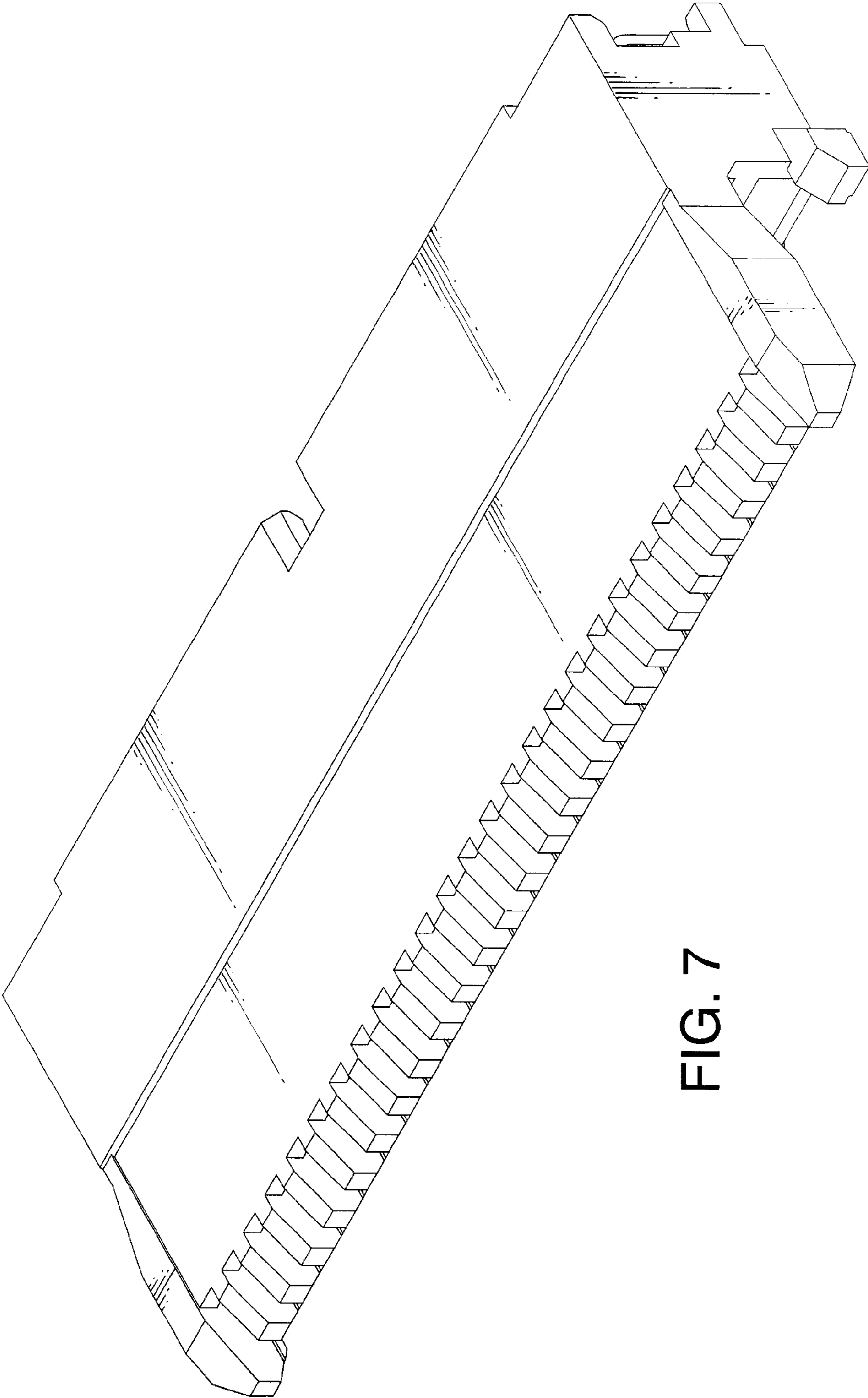


FIG. 7

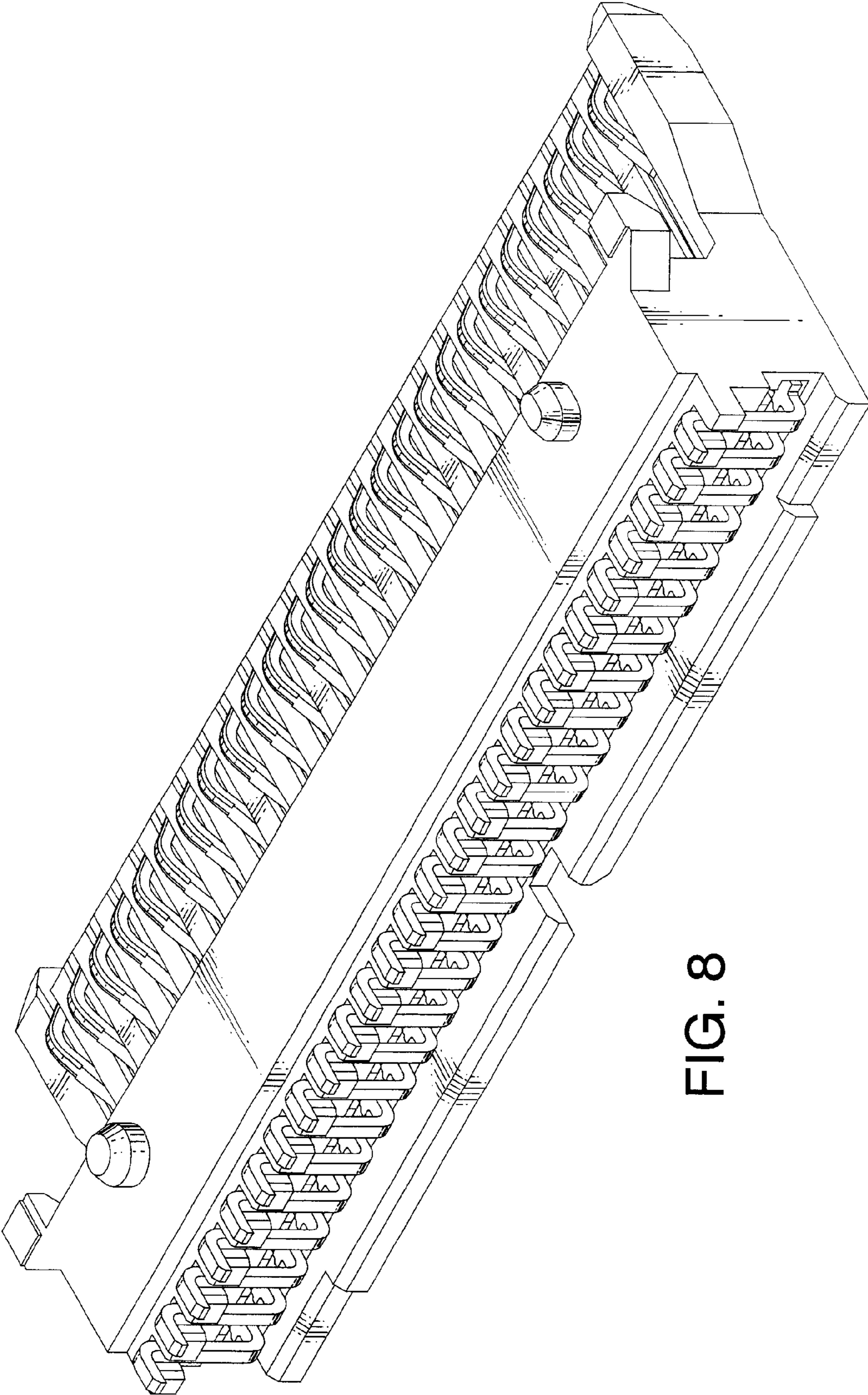


FIG. 8