



US00D524750S

(12) **United States Design Patent**  
**Hisamatsu**

(10) **Patent No.:** **US D524,750 S**

(45) **Date of Patent:** **\*\* \*Jul. 11, 2006**

(54) **ELECTRICAL CONNECTOR**

(75) Inventor: **Kazuhito Hisamatsu**, Tokyo (JP)

(73) Assignee: **Japan Aviation Electronics Industry, Limited**, Tokyo (JP)

(\* ) Notice: This patent is subject to a terminal disclaimer.

(\*\* ) Term: **14 Years**

(21) Appl. No.: **29/225,939**

(22) Filed: **Mar. 22, 2005**

(30) **Foreign Application Priority Data**

Sep. 22, 2004 (JP) ..... 2004-032071

(51) **LOC (8) Cl.** ..... **13-03**

(52) **U.S. Cl.** ..... **D13/147**

(58) **Field of Classification Search** ..... D13/146,  
D13/147, 184, 199; 439/260, 296, 329, 345,  
439/378, 395, 422, 495, 499

See application file for complete search history.

(56) **References Cited**

**U.S. PATENT DOCUMENTS**

D456,777 S \* 5/2002 Igarashi ..... D13/147  
D456,778 S \* 5/2002 Igarashi ..... D13/147  
D456,780 S \* 5/2002 Igarashi ..... D13/147

D457,138 S \* 5/2002 Igarashi ..... D13/147  
6,478,603 B1 \* 11/2002 Wu ..... 439/378  
D482,329 S \* 11/2003 Hisamatsu et al. .... D13/147  
D482,333 S \* 11/2003 Hisamatsu et al. .... D13/147  
D482,660 S \* 11/2003 Hisamatsu et al. .... D13/147  
6,648,668 B1 \* 11/2003 Ko ..... 439/353  
D489,331 S \* 5/2004 Hisamatsu et al. .... D13/147  
2004/0077218 A1 \* 4/2004 Wang ..... 439/638

\* cited by examiner

*Primary Examiner*—Stella Reid

*Assistant Examiner*—Daniel Bui

(74) *Attorney, Agent, or Firm*—Collard & Roe, P.C.

(57) **CLAIM**

The ornamental design for an electrical connector, as shown and described.

**DESCRIPTION**

FIG. 1 is a front elevational view of an electrical connector showing my new design.

FIG. 2 is a top plan view thereof;

FIG. 3 is a bottom plan view thereof;

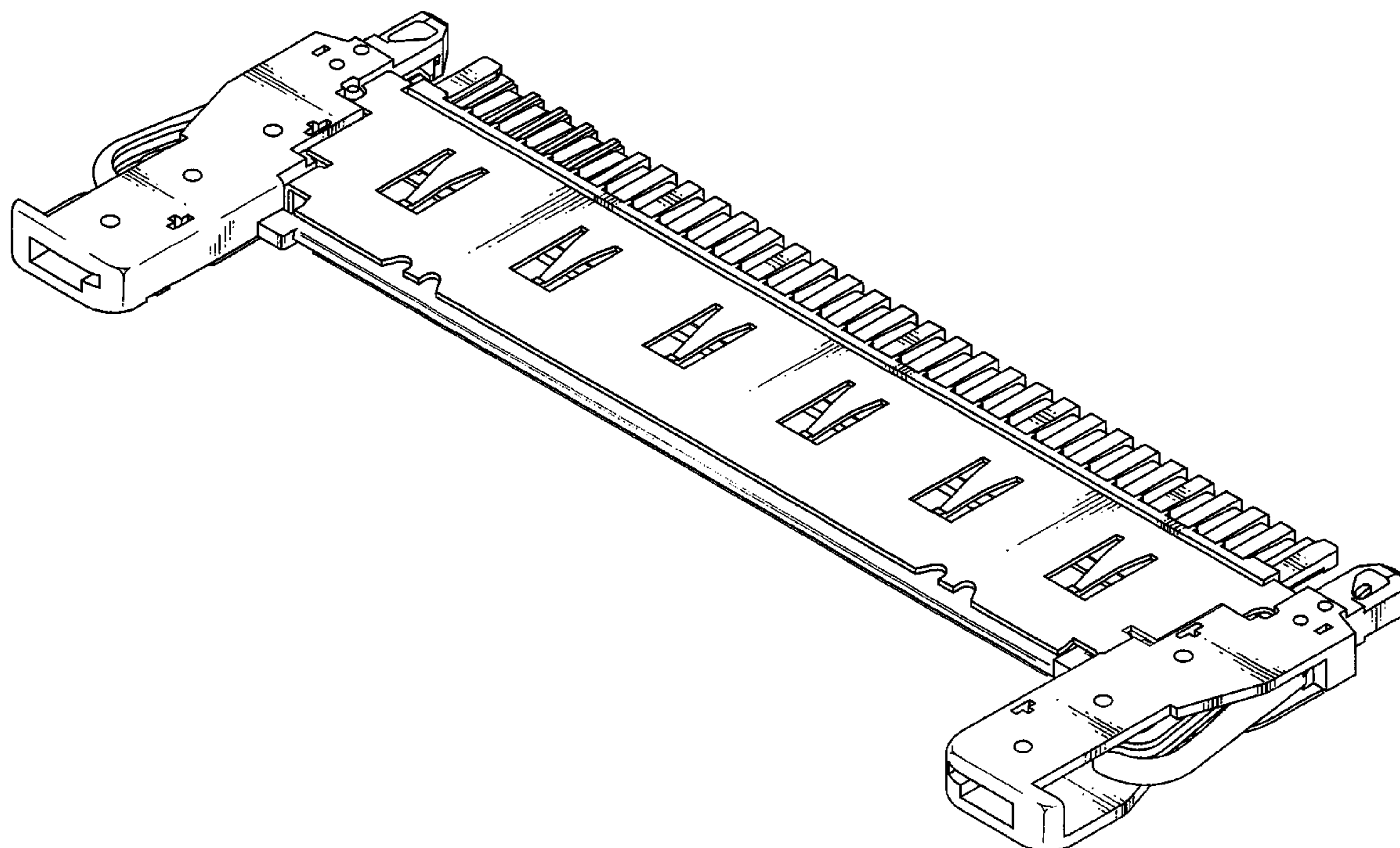
FIG. 4 is a rear elevational view thereof;

FIG. 5 is a left side elevational view thereof;

FIG. 6 is a right side elevational view thereof; and,

FIG. 7 is a perspective view of the top, front and right side thereof.

**1 Claim, 4 Drawing Sheets**



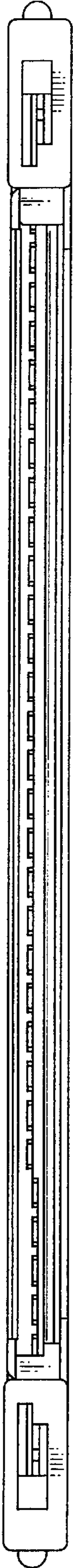


FIG. 1

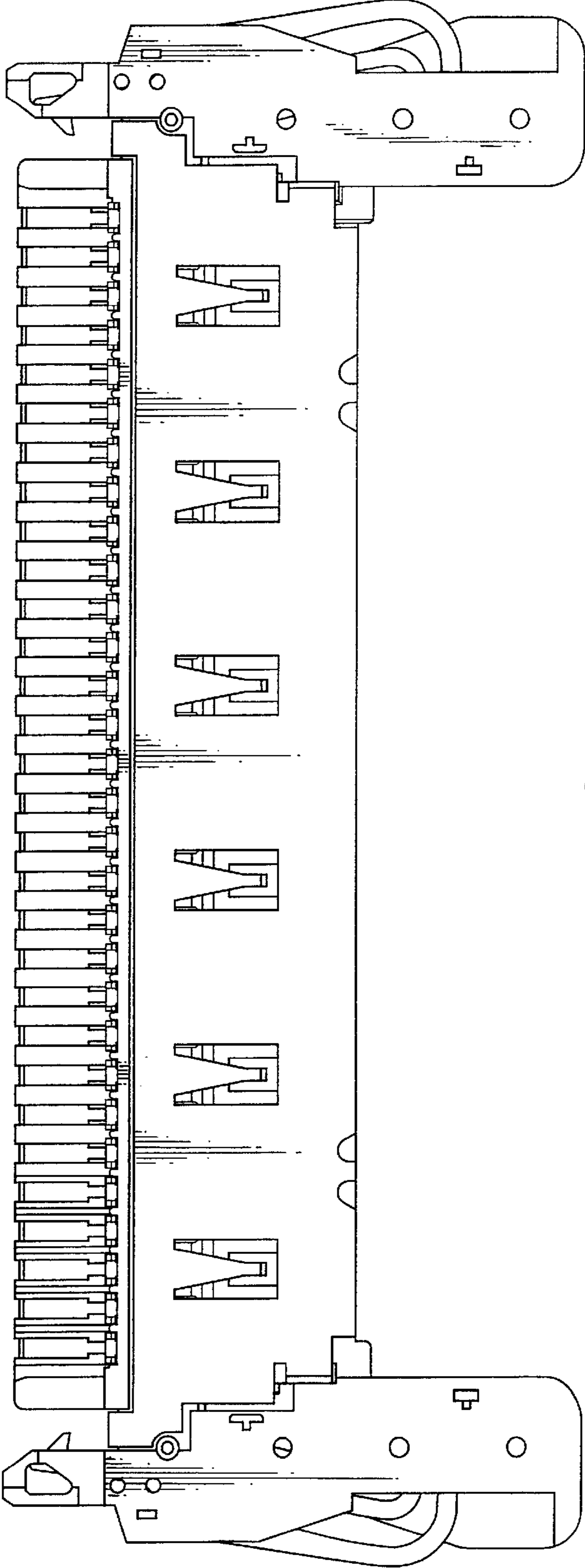


FIG. 2

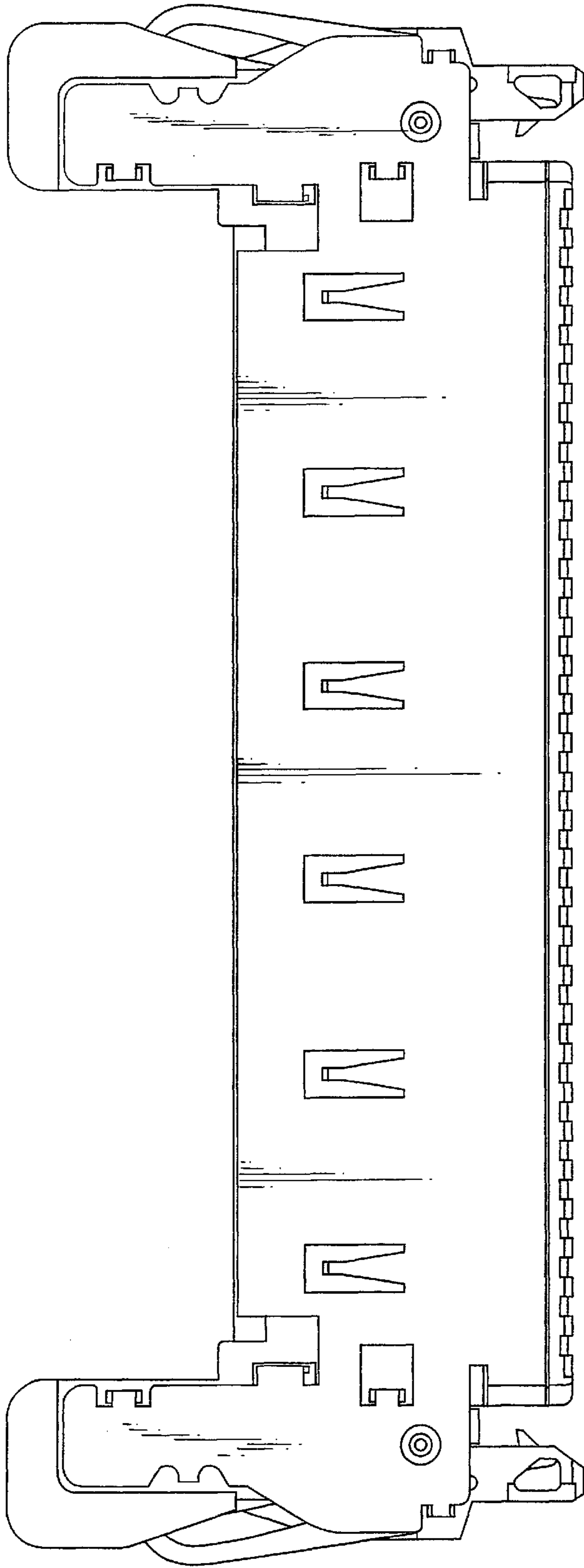


FIG. 3

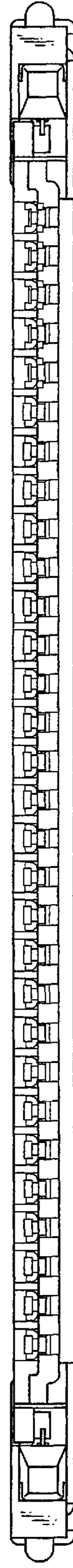


FIG. 4

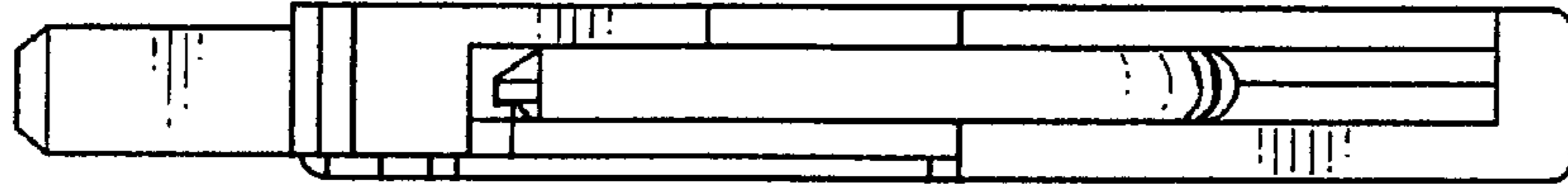


FIG. 5

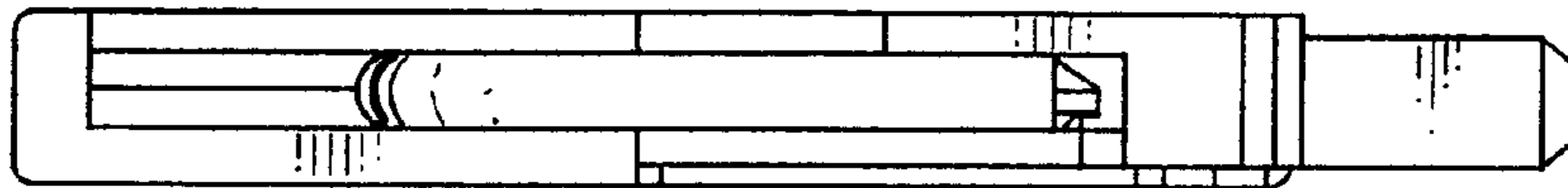


FIG. 6

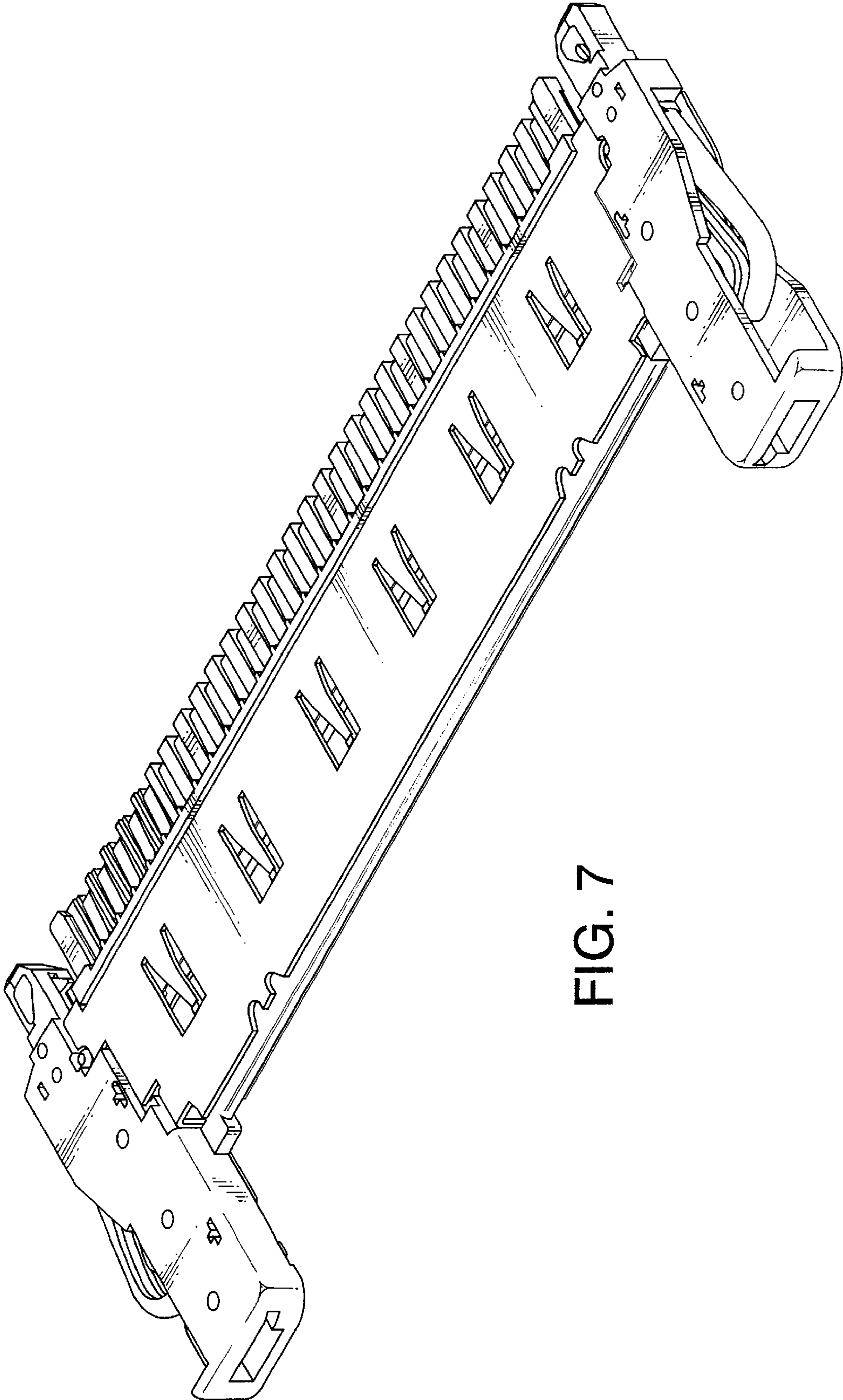


FIG. 7