

US00D524749S

(12) **United States Design Patent**
Wang et al.

(10) **Patent No.:** **US D524,749 S**
(45) **Date of Patent:** **** Jul. 11, 2006**

(54) **CAMERA MODULE SOCKET CONNECTOR**

(75) Inventors: **Chin Chou Wang**, Tucheng (TW); **Yi Chiu Kao**, Tucheng (TW); **Chung Hsin Huang**, Tucheng (TW)

(73) Assignee: **Cheng Uei Precision Industry Co., Ltd.**, Taipei (TW)

(**) Term: **14 Years**

(21) Appl. No.: **29/224,750**

(22) Filed: **Mar. 8, 2005**

(51) **LOC (8) Cl.** **13-03**

(52) **U.S. Cl.** **D13/147**

(58) **Field of Classification Search** D13/133,
D13/146-147, 154, 199; 439/71-73, 266,
439/326, 330-331, 630, 638

See application file for complete search history.

(56) **References Cited**

U.S. PATENT DOCUMENTS

5,073,116 A * 12/1991 Beck, Jr. 439/71
5,073,117 A * 12/1991 Malhi et al. 439/71

D493,427 S * 7/2004 Nishio et al. D13/147
D502,144 S * 2/2005 Nishio et al. D13/147
D502,921 S * 3/2005 Zhang et al. D13/147
2005/0239302 A1 * 10/2005 Wada 439/71

* cited by examiner

Primary Examiner—Stella Reid
Assistant Examiner—Daniel Bui

(74) *Attorney, Agent, or Firm*—Rosenberg, Klein & Lee

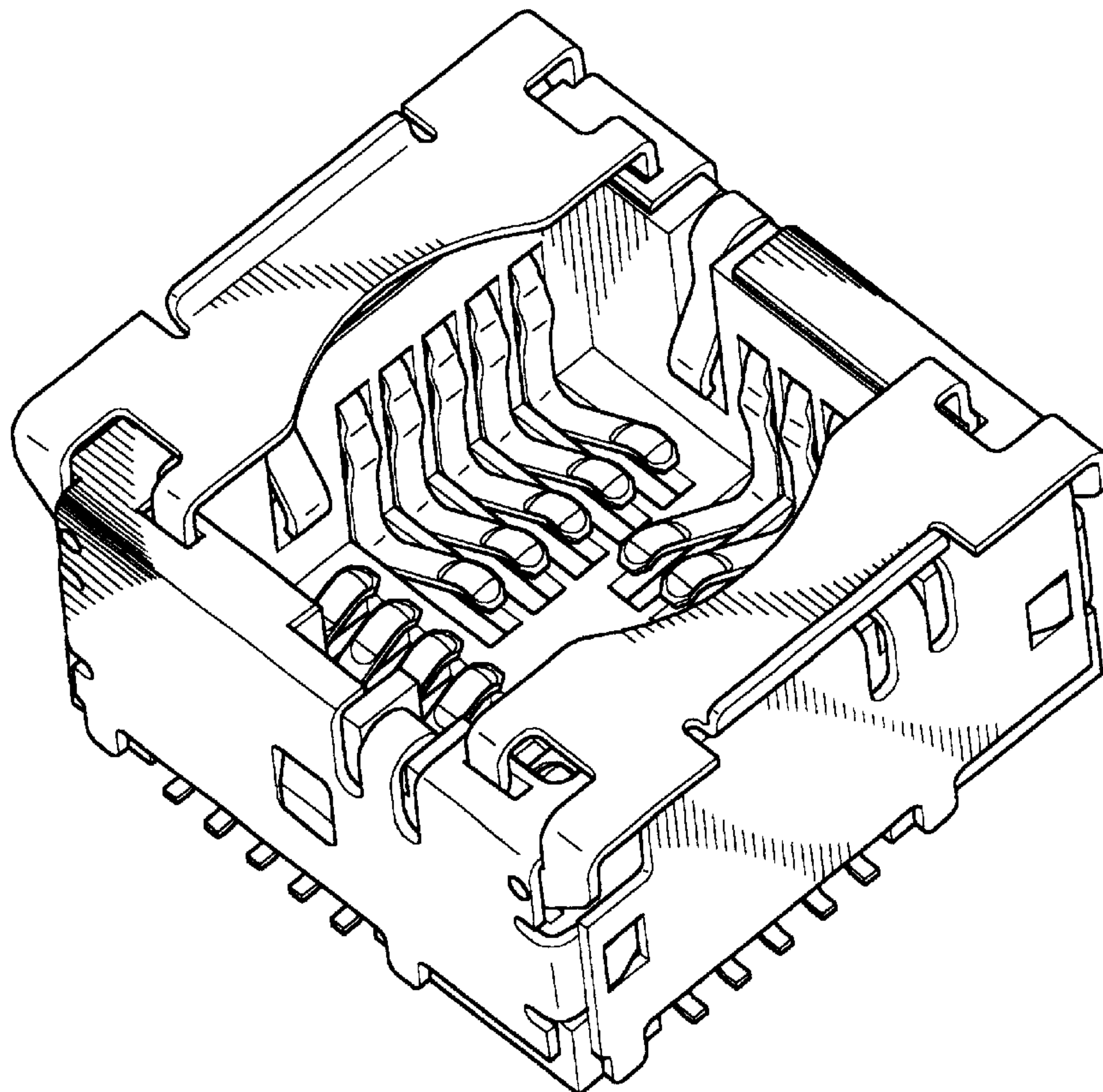
(57) **CLAIM**

The ornamental design for a camera module socket connector, as shown and described.

DESCRIPTION

FIG. 1 is a perspective view of a camera module socket connector showing our new design; FIG. 2 is a front elevational view thereof; FIG. 3 is a rear elevational view thereof; FIG. 4 is a left side elevational view thereof; FIG. 5 is a right side elevational view thereof; FIG. 6 is a top plan view thereof; and, FIG. 7 is a bottom plan view thereof.

1 Claim, 7 Drawing Sheets



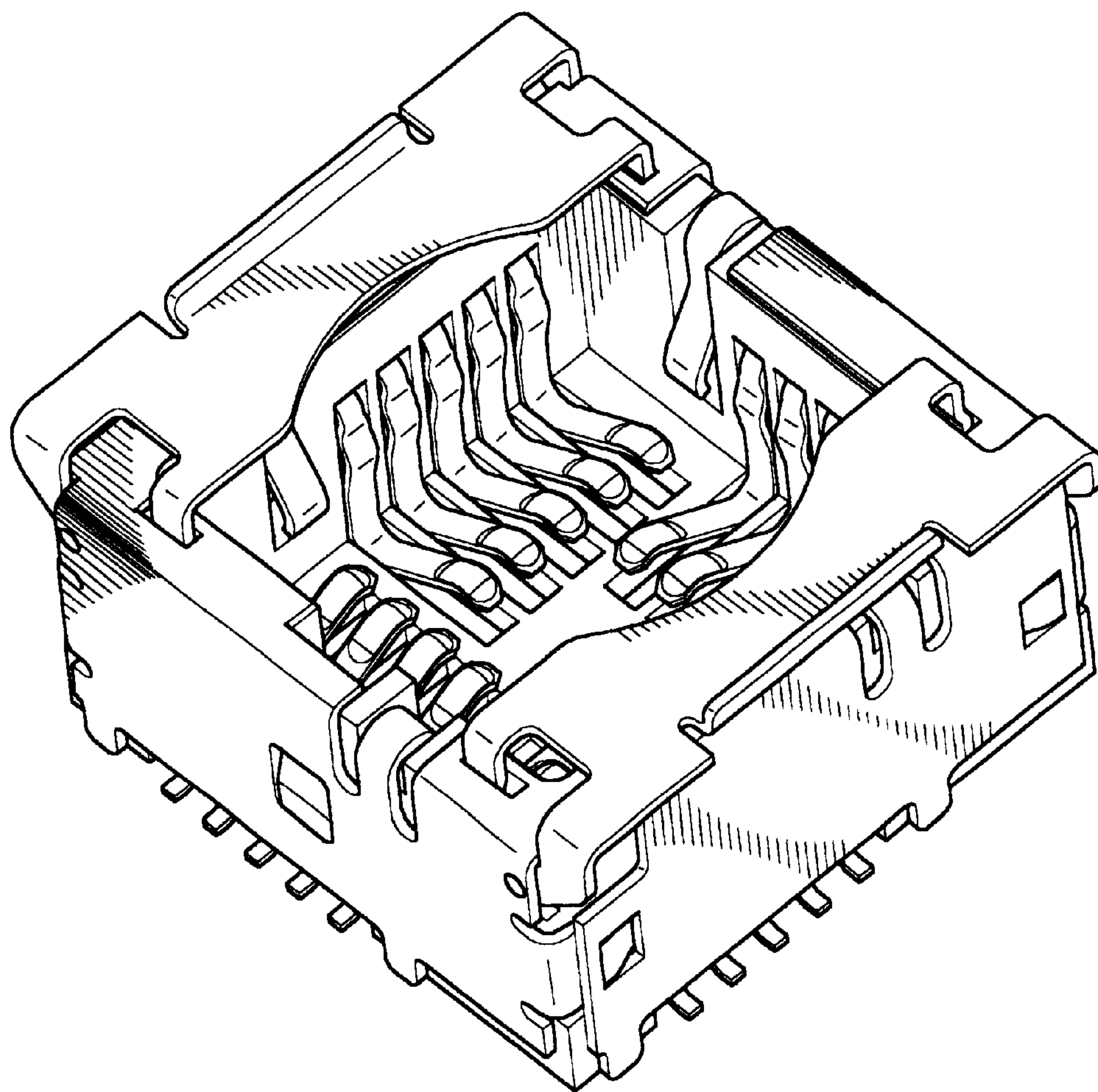


FIG. 1

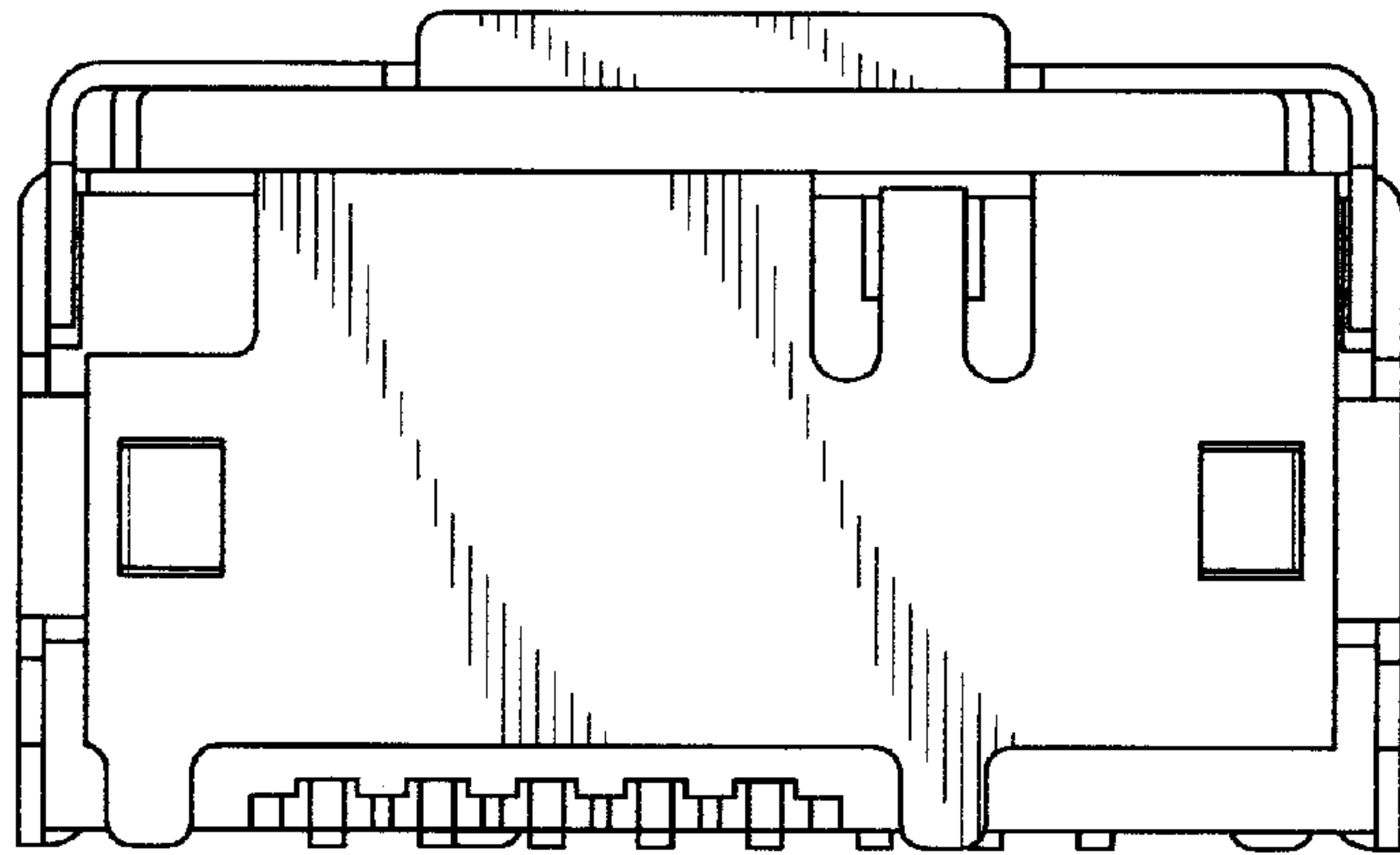


FIG. 2

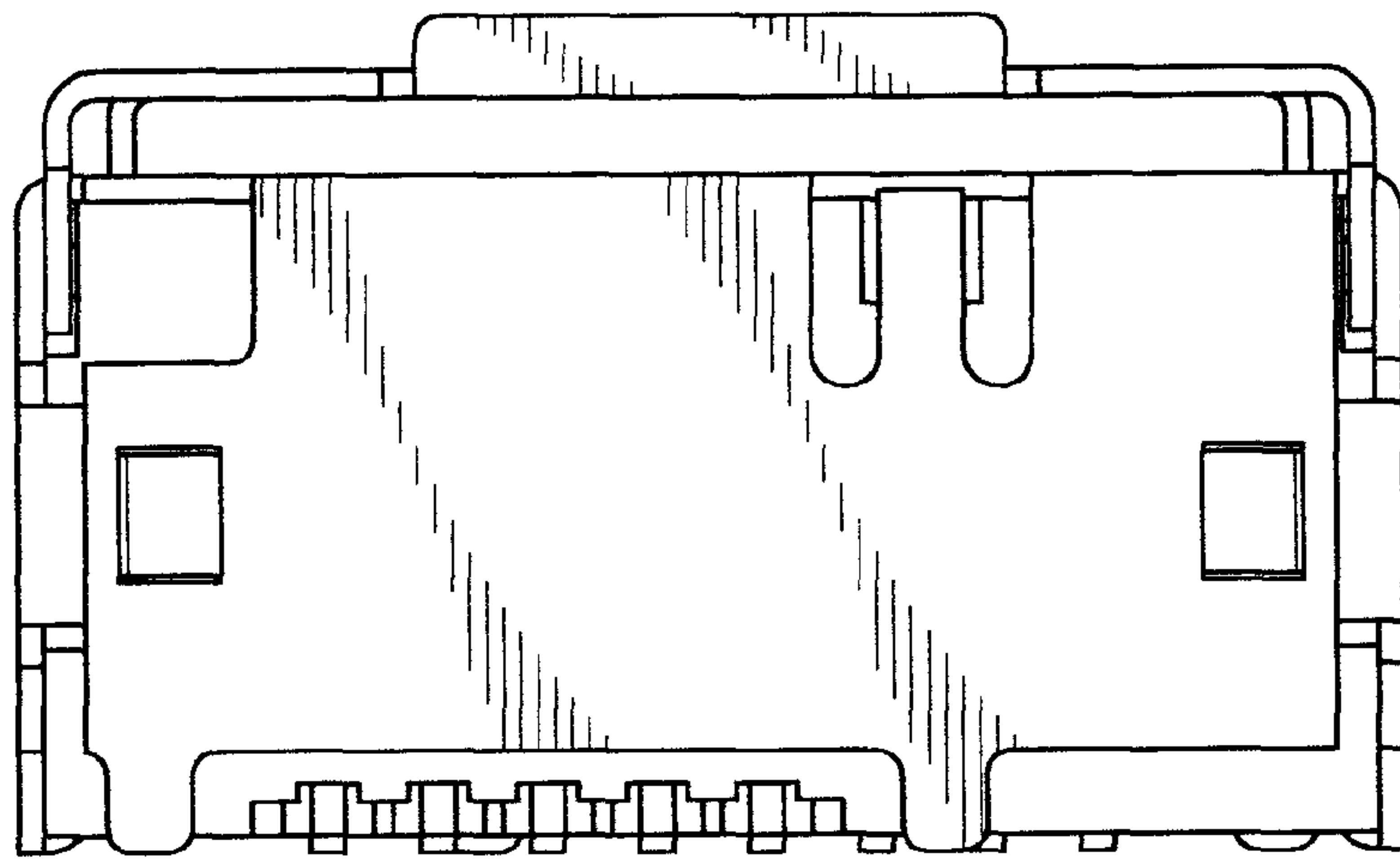


FIG. 3

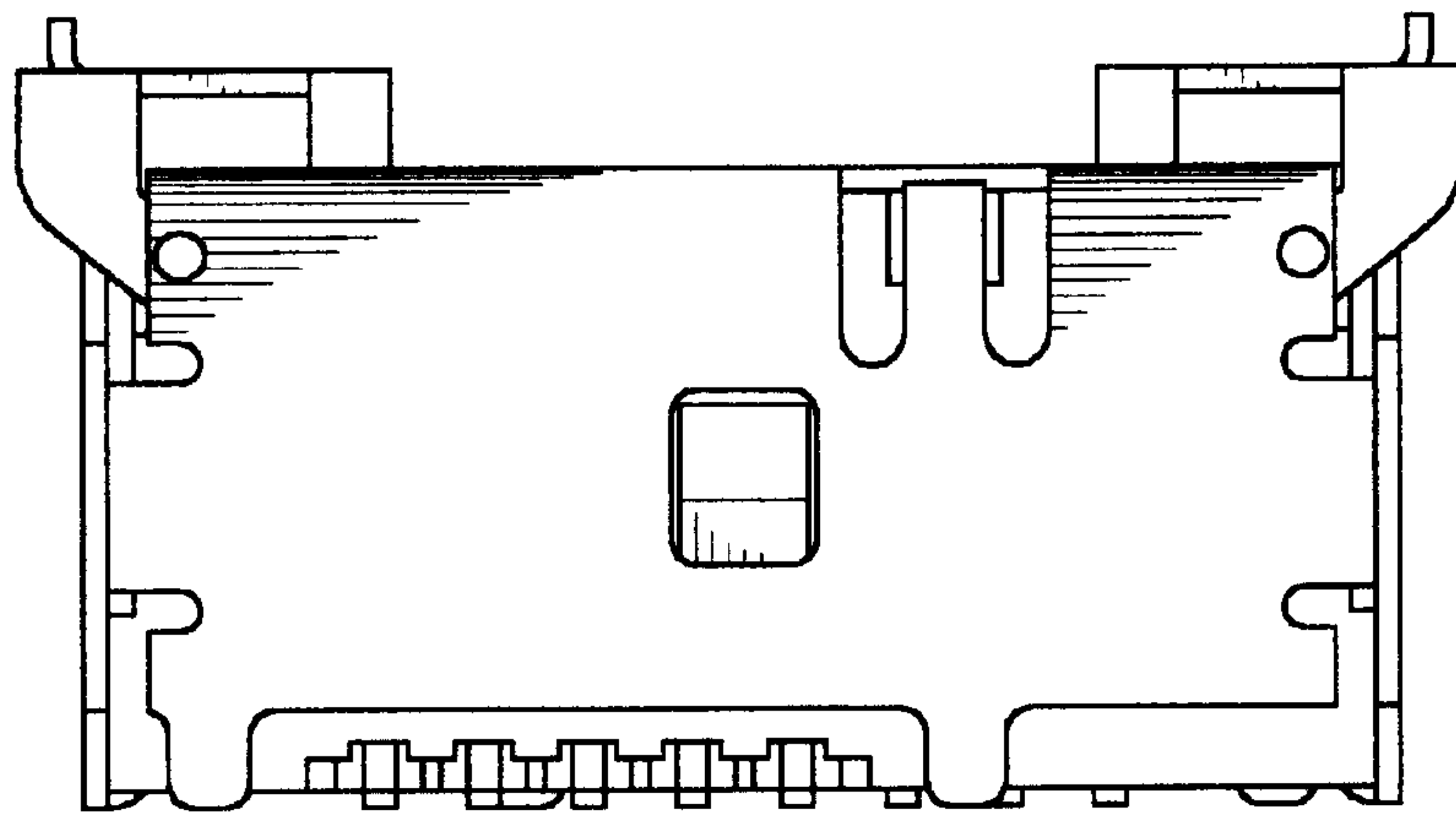


FIG. 4

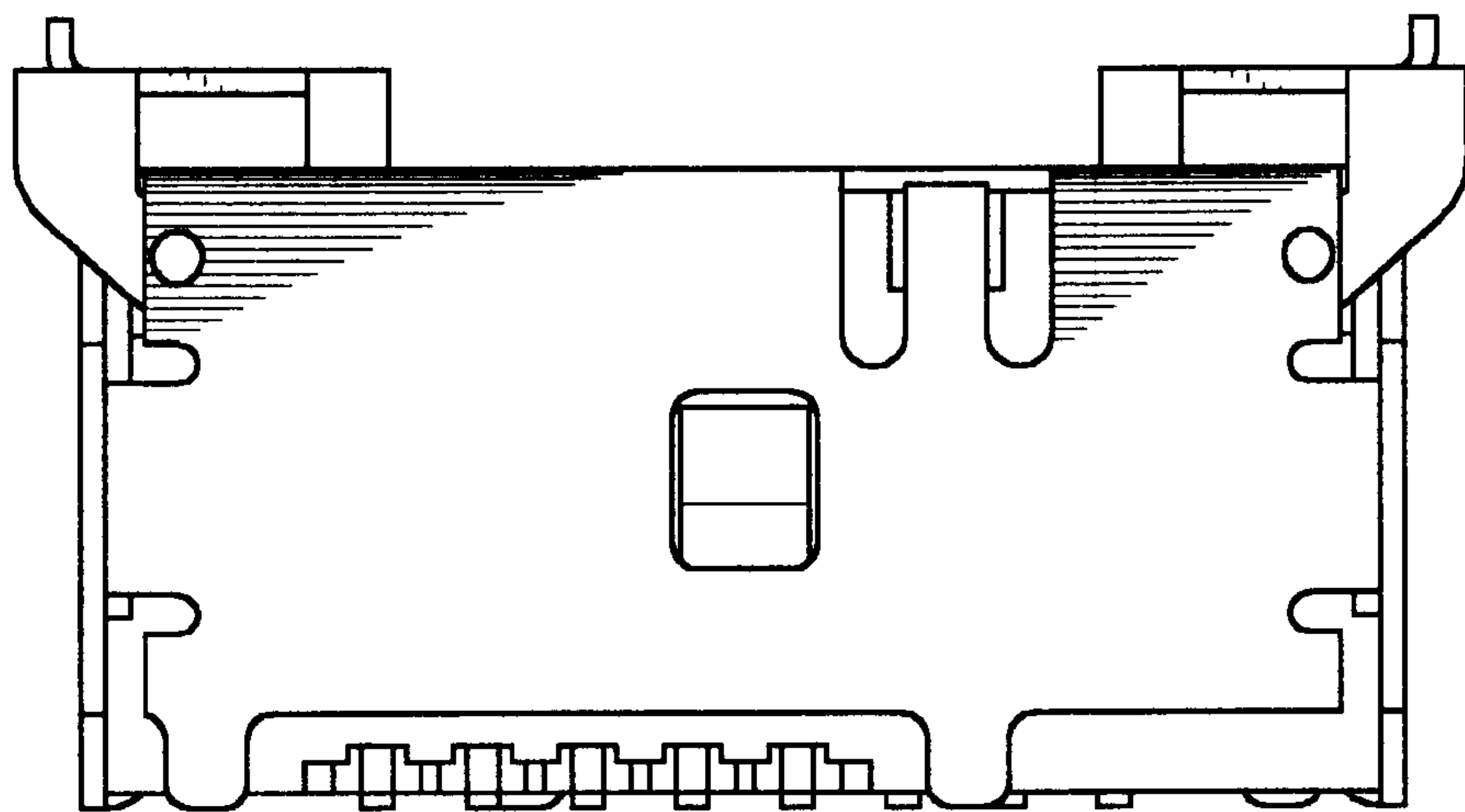


FIG. 5

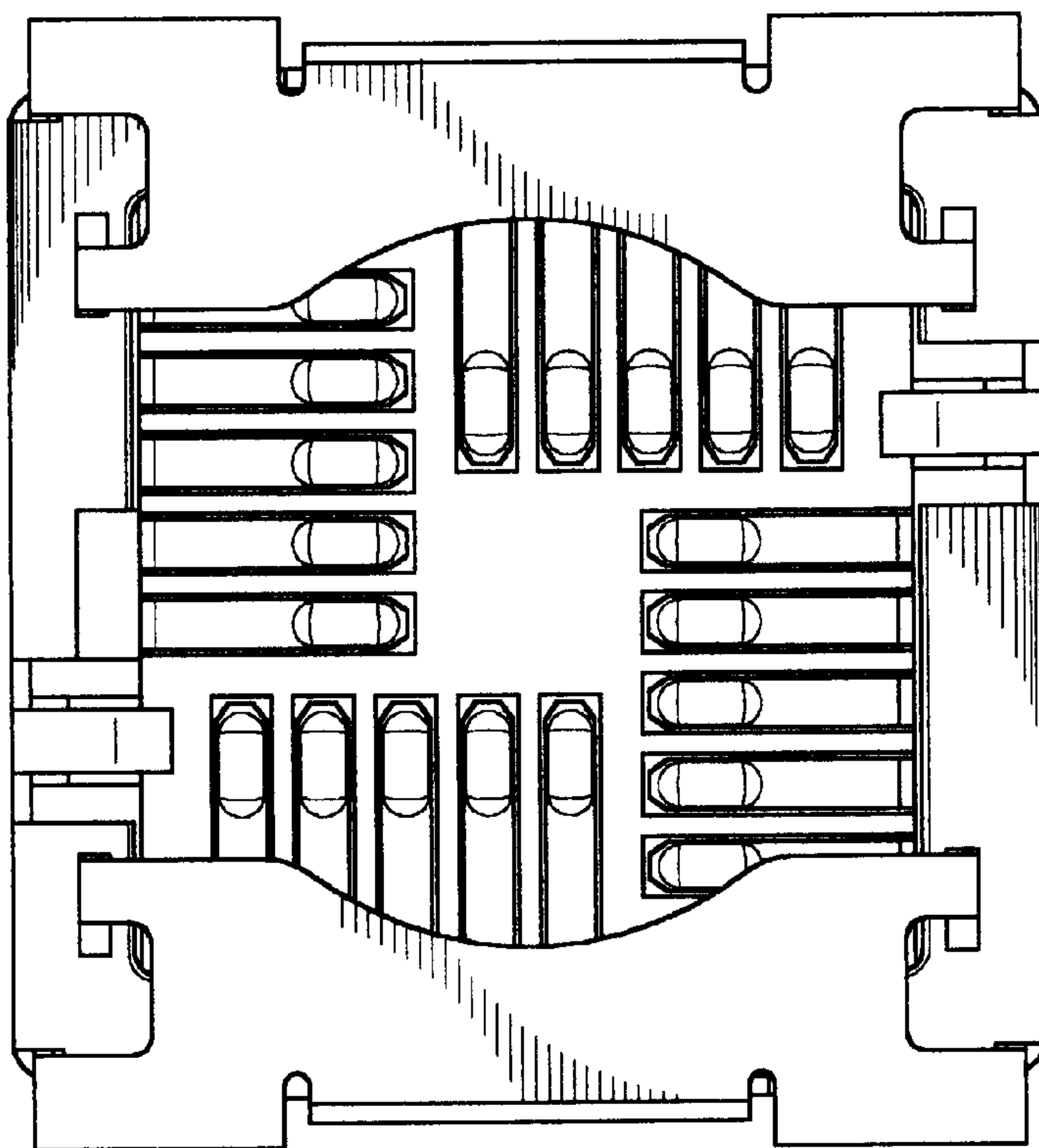


FIG. 6

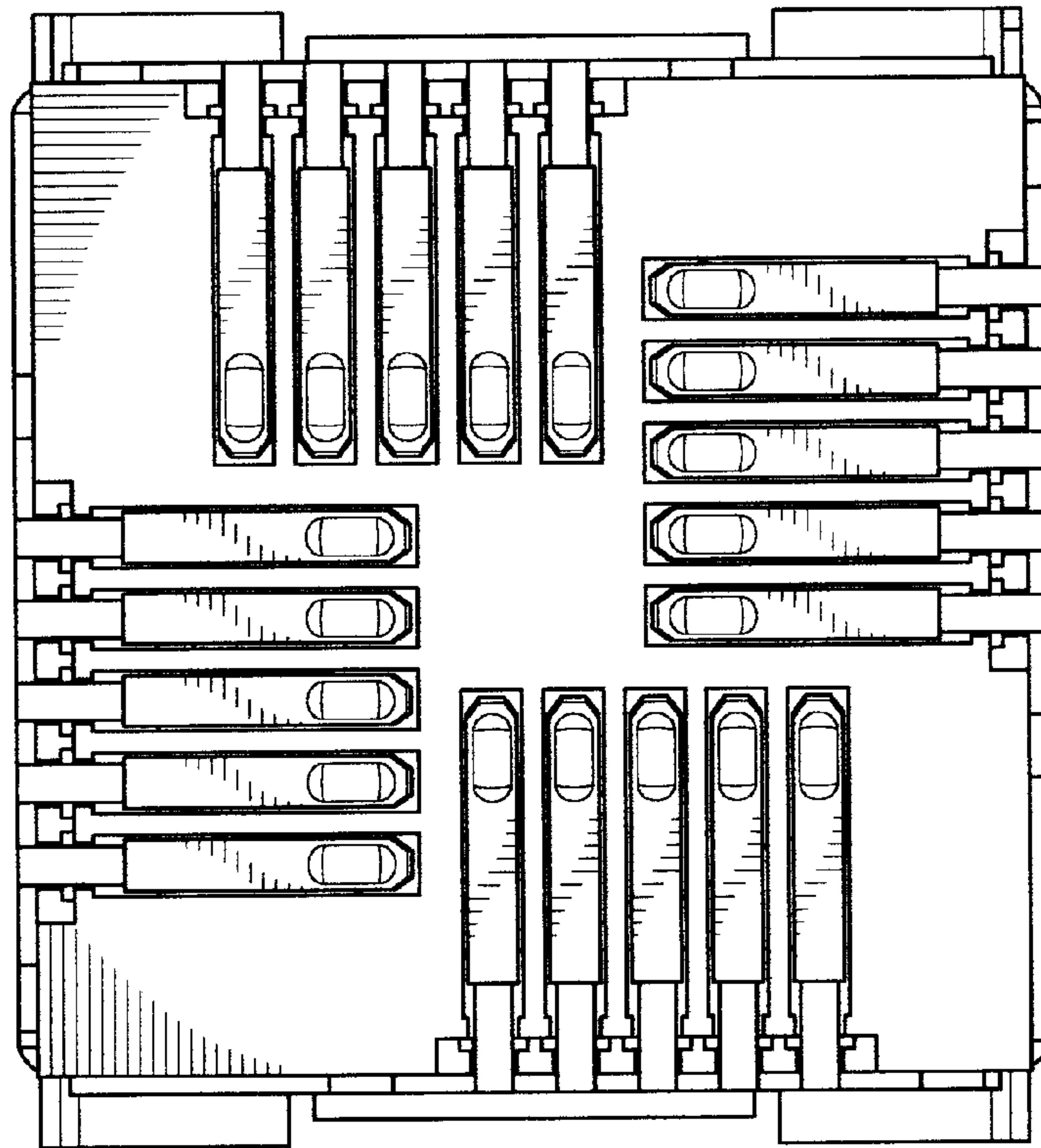


FIG. 7