



US00D524748S

(12) **United States Design Patent**  
**Chiang et al.**

(10) **Patent No.:** **US D524,748 S**

(45) **Date of Patent:** **\*\* Jul. 11, 2006**

(54) **PLUG CONNECTOR**

(75) Inventors: **Shu Man Chiang**, Tucheng (TW);  
**Chung Hsin Huang**, Tucheng (TW); **Yi Chiu Kao**, Tucheng (TW); **Yu Hung Su**, Tucheng (TW)

(73) Assignee: **Cheng Uei Precision Industry Co., Ltd.**, Taipei (TW)

(\*\*) Term: **14 Years**

(21) Appl. No.: **29/224,605**

(22) Filed: **Mar. 7, 2005**

(51) **LOC (8) Cl.** ..... **13-03**

(52) **U.S. Cl.** ..... **D13/147**

(58) **Field of Classification Search** ..... D13/133,  
D13/146-147, 154, 199; 439/79, 108, 358,  
439/607, 608, 609, 610  
See application file for complete search history.

(56) **References Cited**

**U.S. PATENT DOCUMENTS**

- D310,993 S \* 10/1990 Ohkura et al. .... D13/146
- 5,344,327 A \* 9/1994 Brunker et al. .... 439/108
- D367,040 S \* 2/1996 Hamada ..... D13/147
- 6,299,487 B1 \* 10/2001 Lopata et al. .... 439/610

- D454,336 S \* 3/2002 Manchester et al. .... D13/147
- D459,309 S \* 6/2002 Tanaka ..... D13/147
- D476,953 S \* 7/2003 Ushiro et al. .... D13/147
- D478,551 S \* 8/2003 Zhang et al. .... D13/147
- 6,659,799 B1 \* 12/2003 Yang ..... 439/607
- 2003/0148651 A1 \* 8/2003 Shuman et al. .... 439/358

\* cited by examiner

*Primary Examiner*—Stella Reid

*Assistant Examiner*—Daniel Bui

(74) *Attorney, Agent, or Firm*—Rosenberg, Klein & Lee

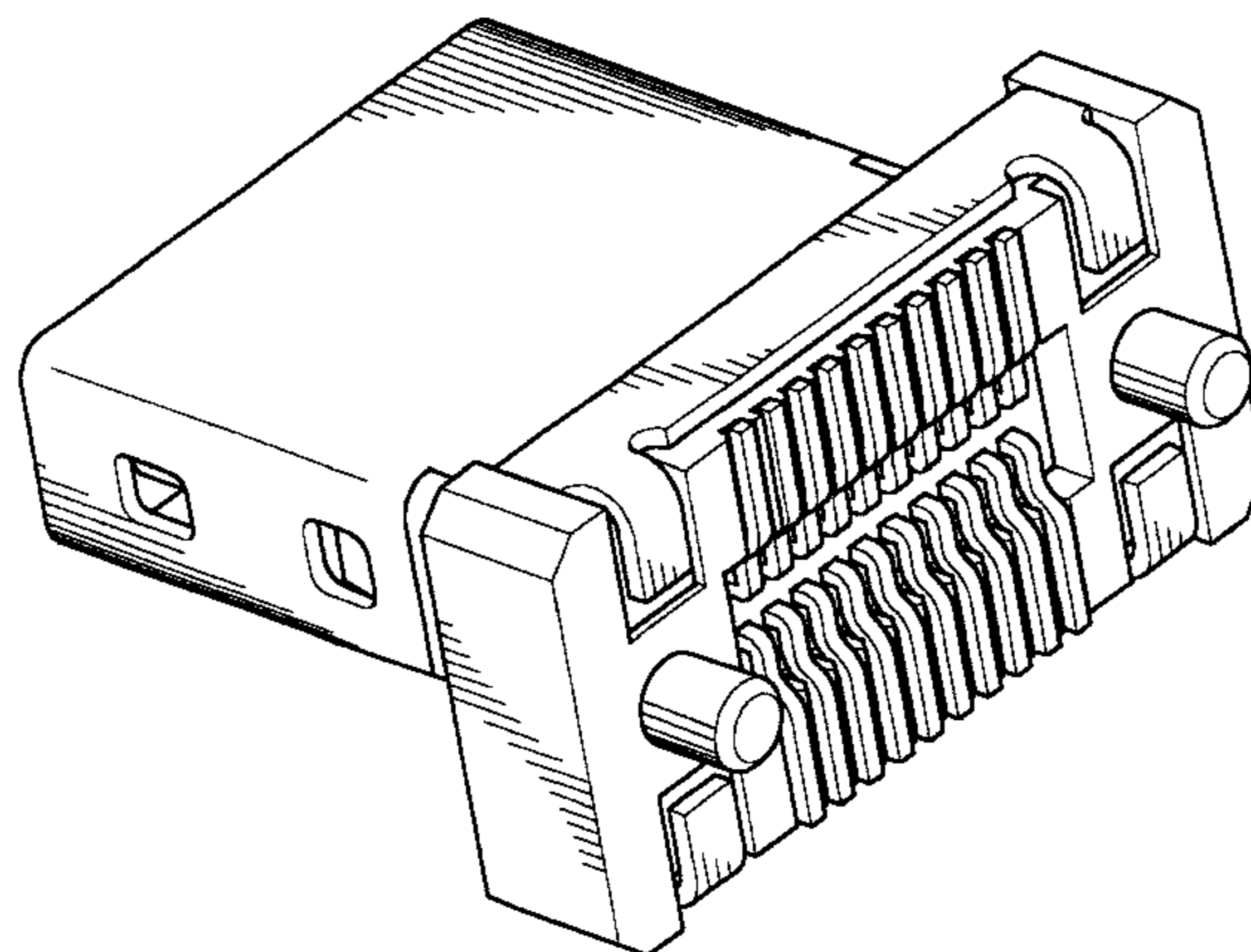
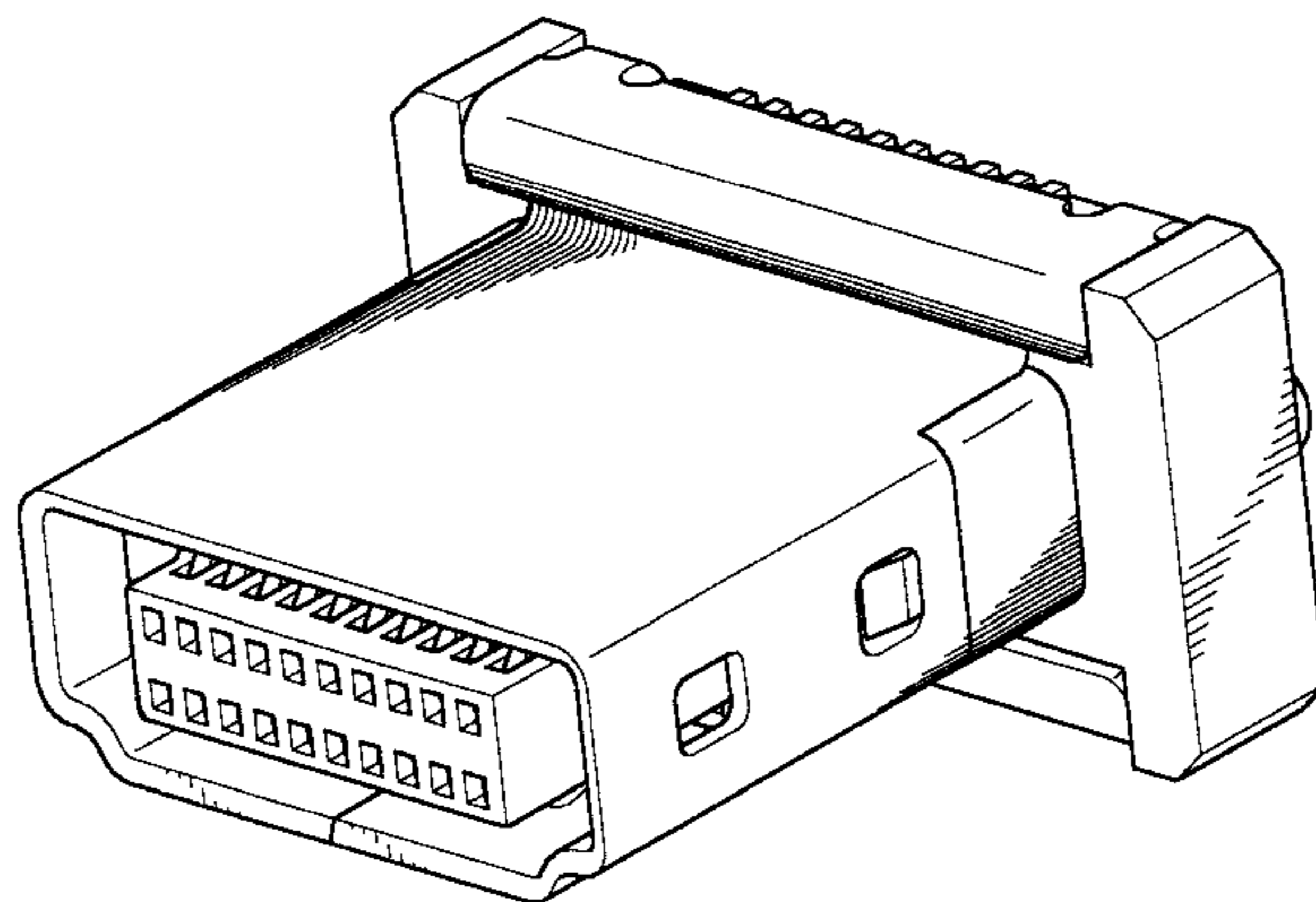
(57) **CLAIM**

The ornamental design for a plug connector, as shown and described.

**DESCRIPTION**

FIG. 1 is a perspective view of a plug connector showing our new design;  
FIG. 2 is a front elevational view thereof;  
FIG. 3 is a rear elevational view thereof;  
FIG. 4 is a left side elevational view thereof;  
FIG. 5 is a right side elevational view thereof;  
FIG. 6 is a top plan view thereof;  
FIG. 7 is a bottom plan view thereof; and,  
FIG. 8 is another perspective view thereof.

**1 Claim, 5 Drawing Sheets**



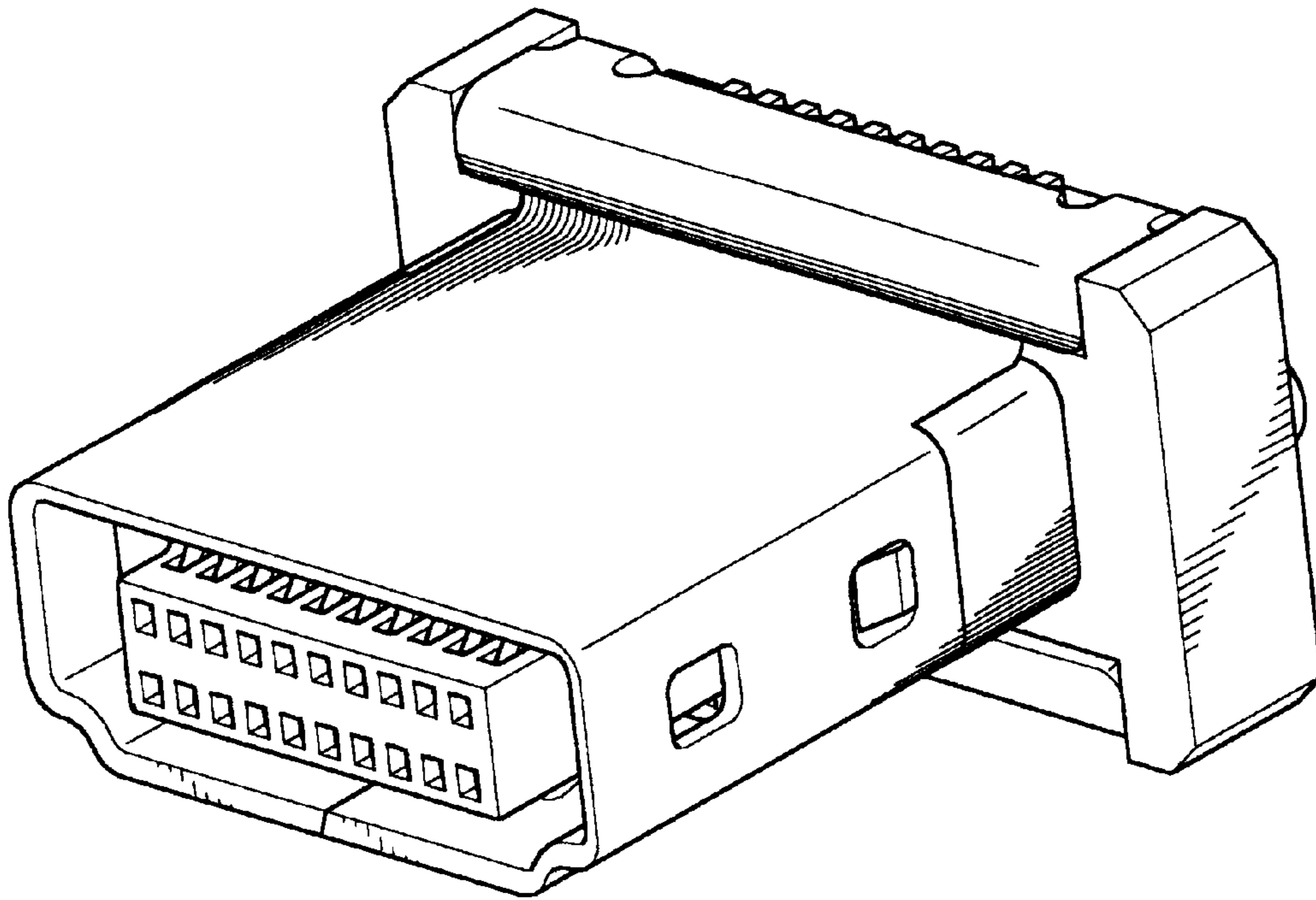


FIG. 1

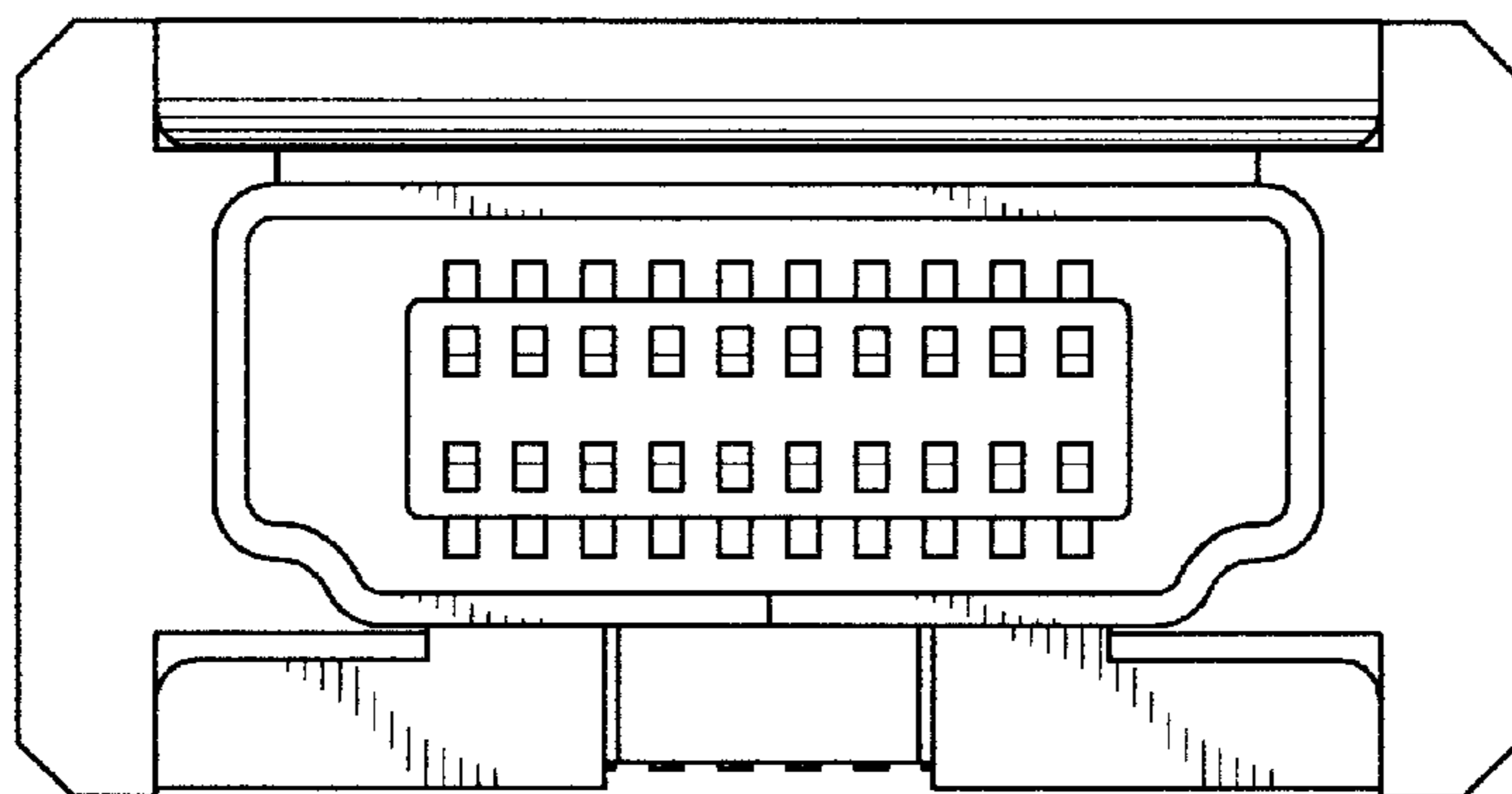


FIG. 2

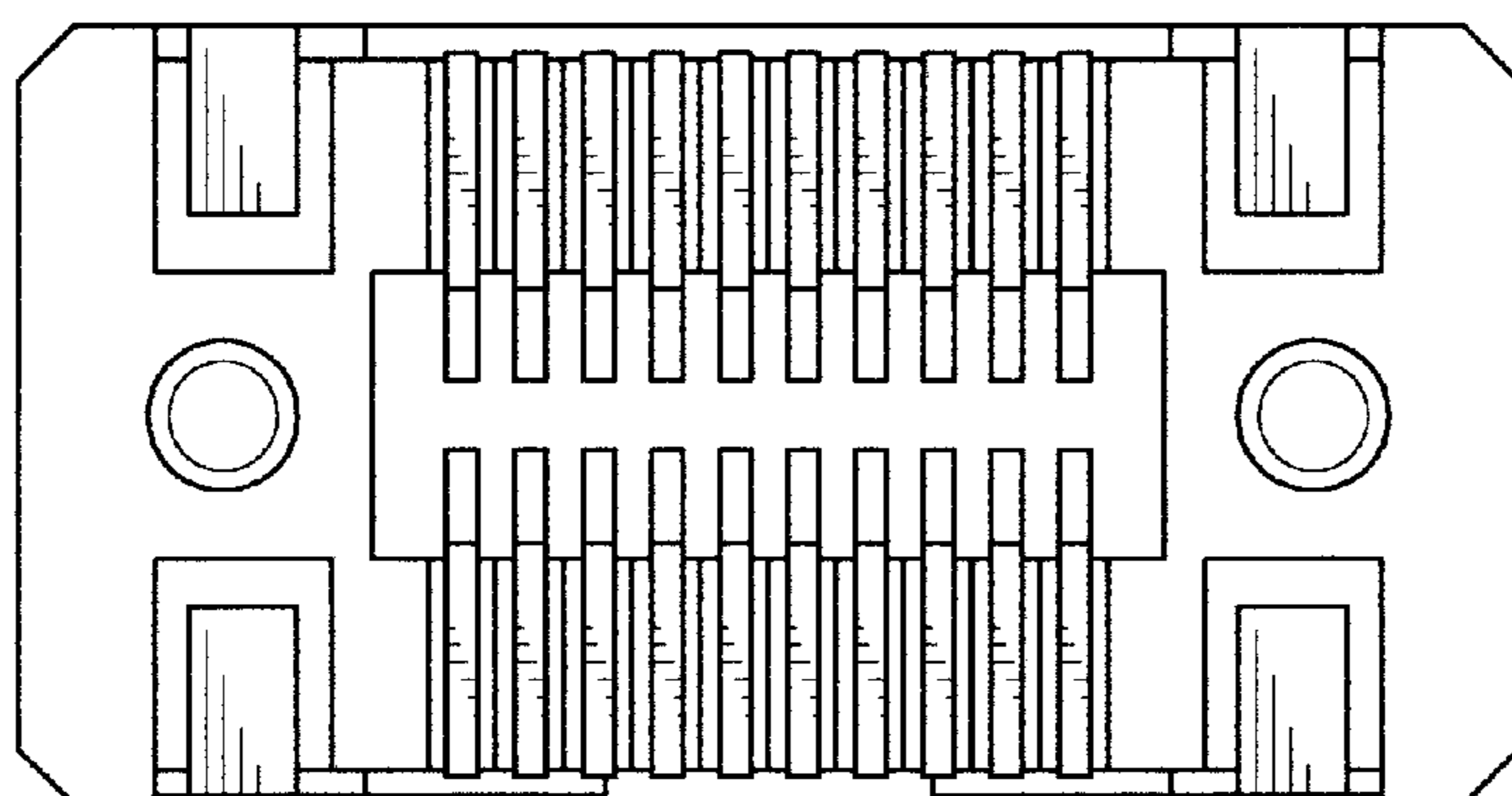


FIG. 3

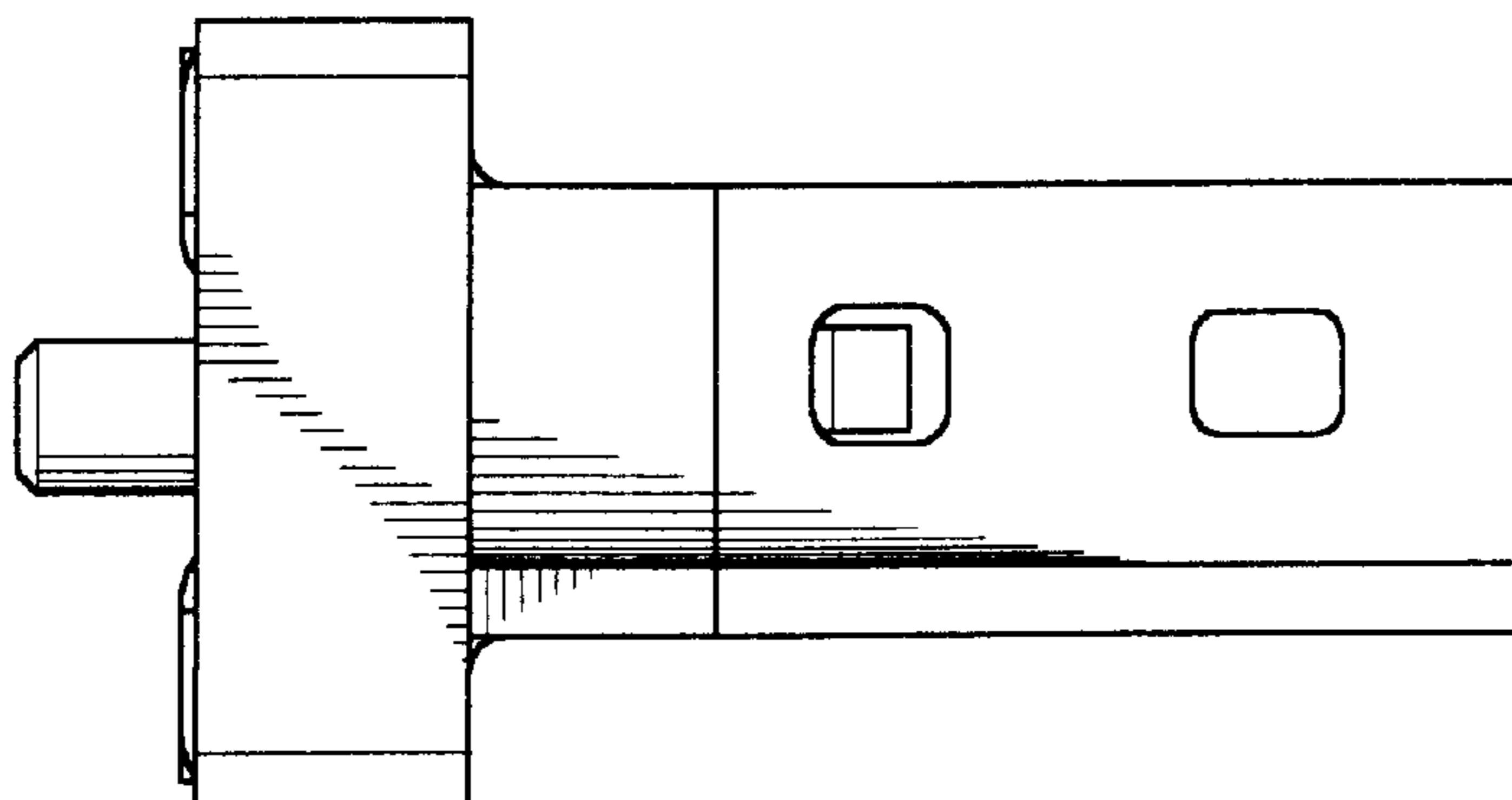


FIG. 4

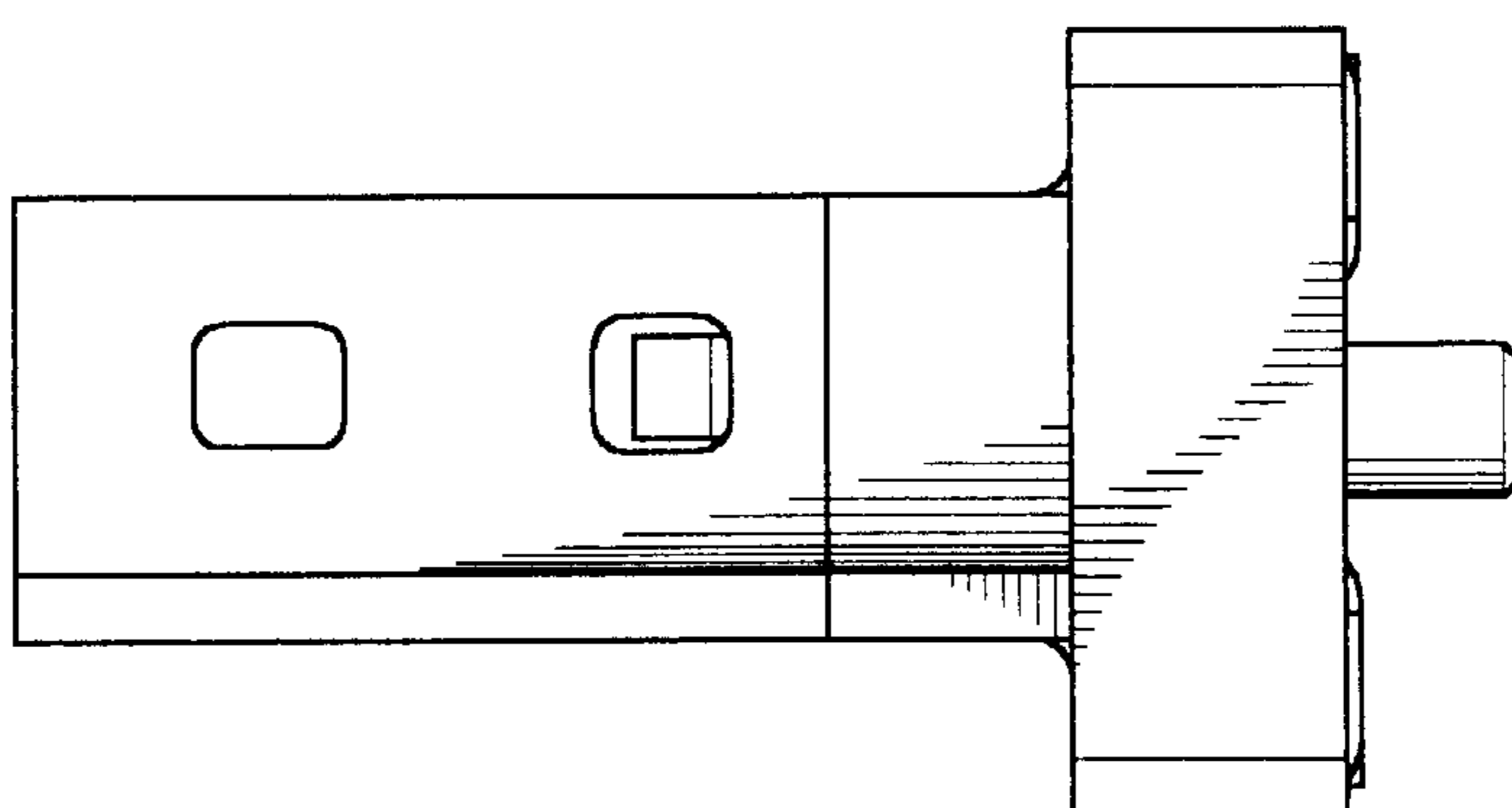


FIG. 5

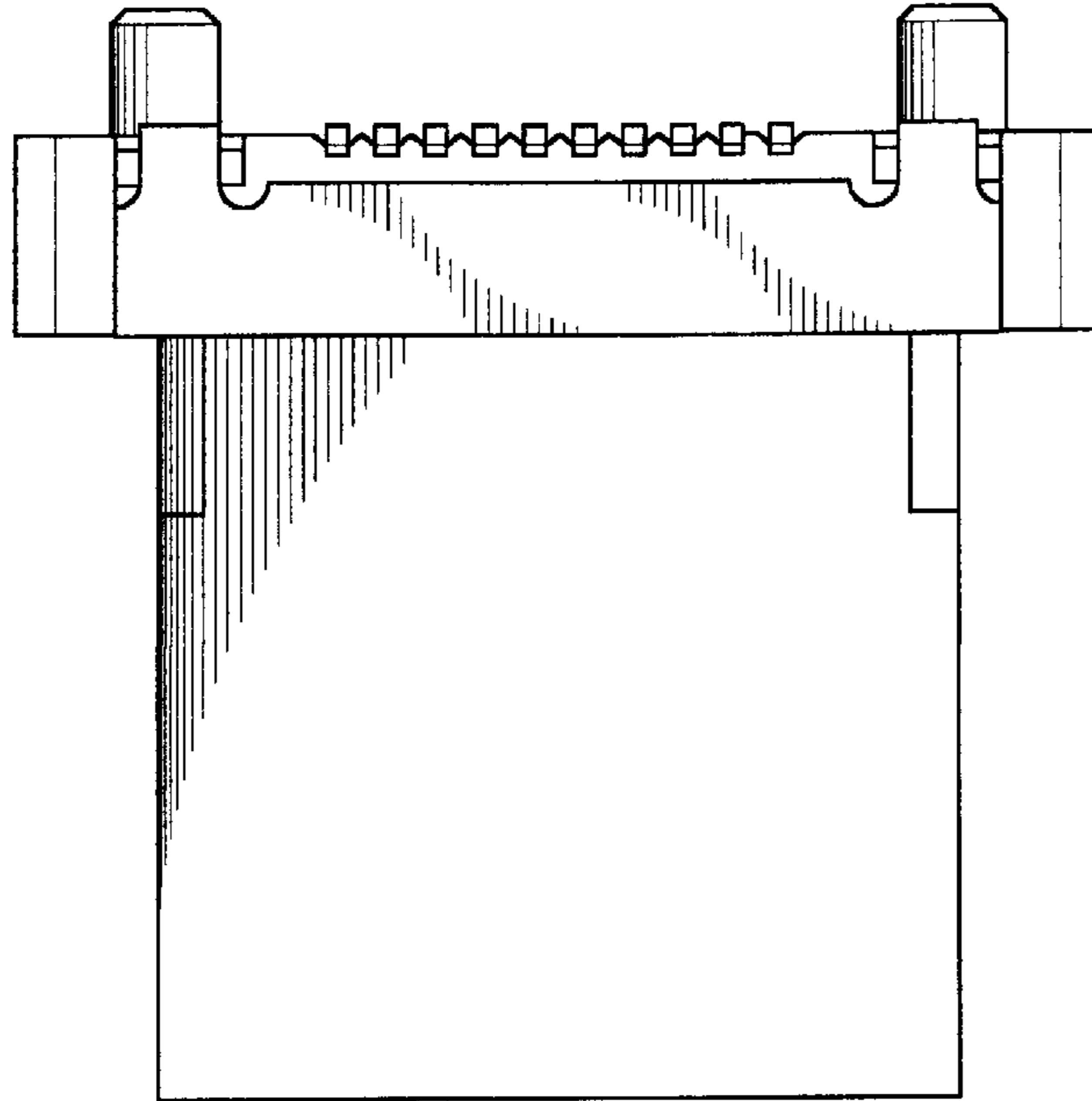


FIG. 6

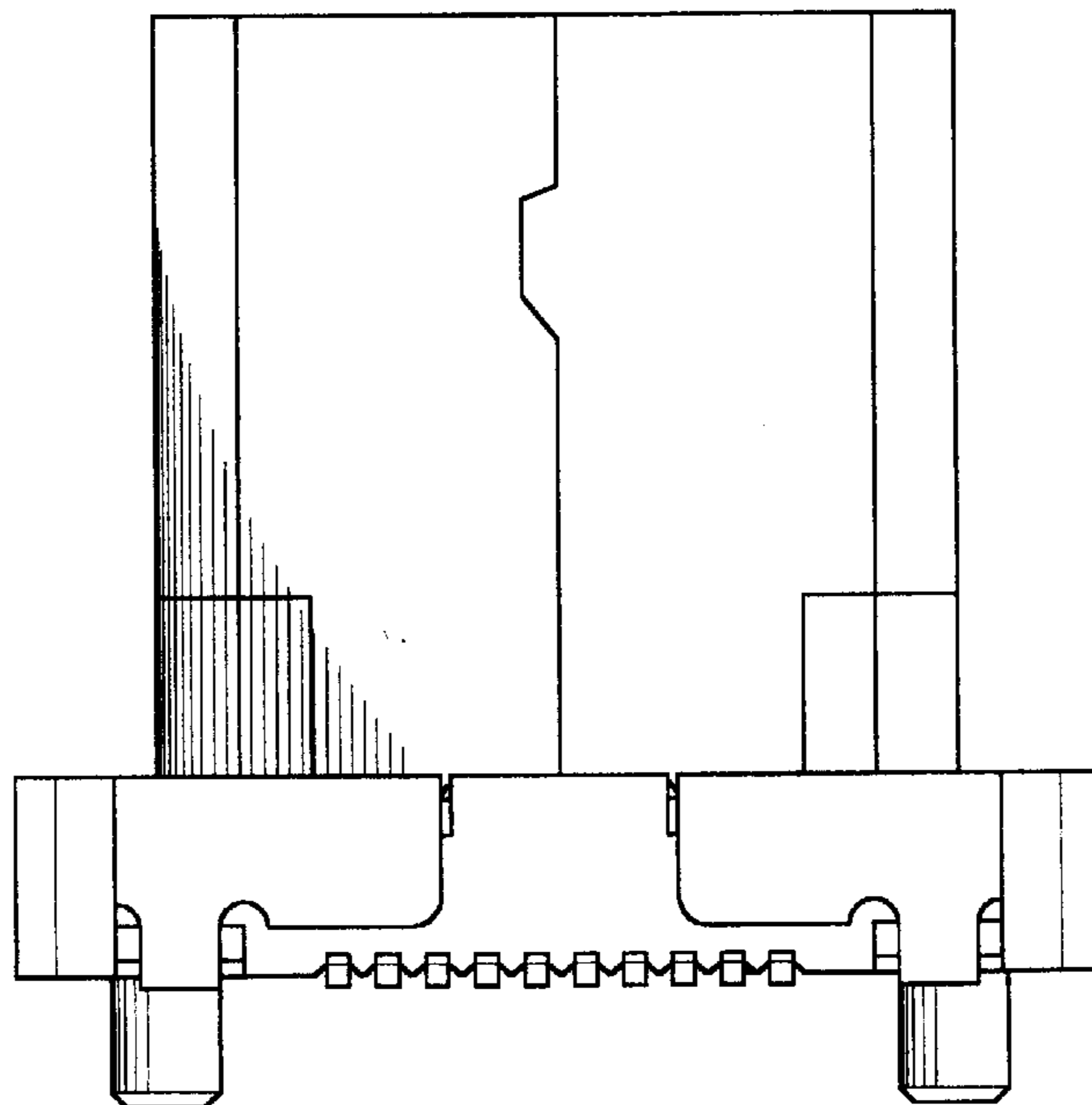


FIG. 7

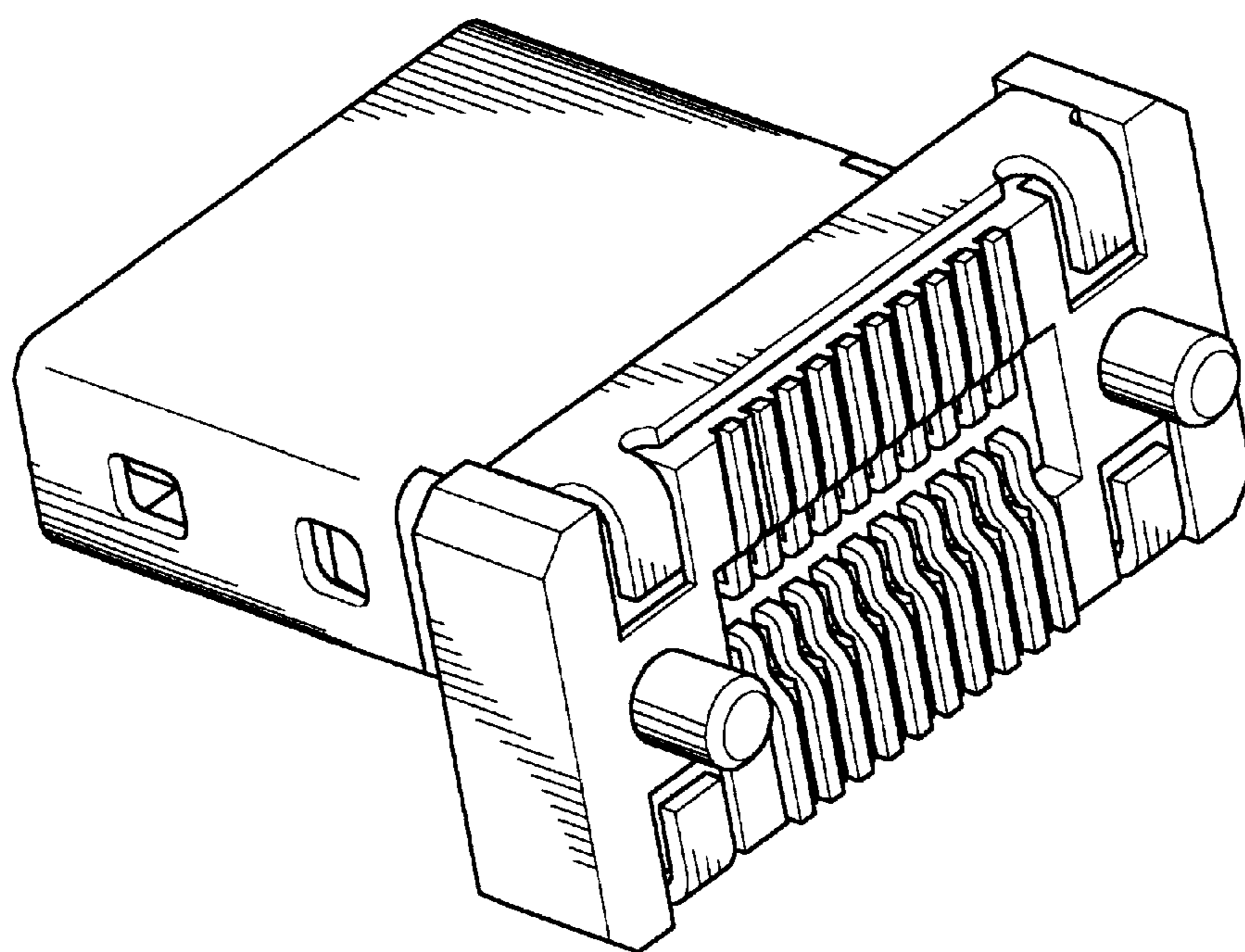


FIG. 8