



US00D524746S

(12) **United States Design Patent**  
**Lai**

(10) **Patent No.:** **US D524,746 S**  
(45) **Date of Patent:** **\*\* Jul. 11, 2006**

- (54) **RECEPTACLE CONNECTOR**
- (75) Inventor: **Ming Chun Lai**, Tucheng (TW)
- (73) Assignee: **Cheng Uei Precision Industry Co., Ltd.**, Taipei (TW)
- (\*\*) Term: **14 Years**
- (21) Appl. No.: **29/219,496**
- (22) Filed: **Dec. 20, 2004**
- (51) **LOC (8) Cl.** ..... **13-03**
- (52) **U.S. Cl.** ..... **D13/147**
- (58) **Field of Classification Search** ..... D13/133,  
D13/146-147, 154, 199; 439/79, 83, 108,  
439/181, 607-610, 639  
See application file for complete search history.

- 6,361,332 B1 \* 3/2002 Froude et al. .... 439/83
- 6,416,359 B1 \* 7/2002 Zhang et al. .... 439/607
- 6,554,648 B1 \* 4/2003 Shi et al. .... 439/607
- D499,381 S \* 12/2004 Hu et al. .... D13/147
- D509,800 S \* 9/2005 Hu et al. .... D13/147
- 2002/0142636 A1 \* 10/2002 Murr et al. .... 439/108

\* cited by examiner

*Primary Examiner*—Stella Reid  
*Assistant Examiner*—Daniel Bui  
(74) *Attorney, Agent, or Firm*—Rosenberg, Klein & Lee

(57) **CLAIM**

The ornamental design for a receptacle connector, as shown and described.

**DESCRIPTION**

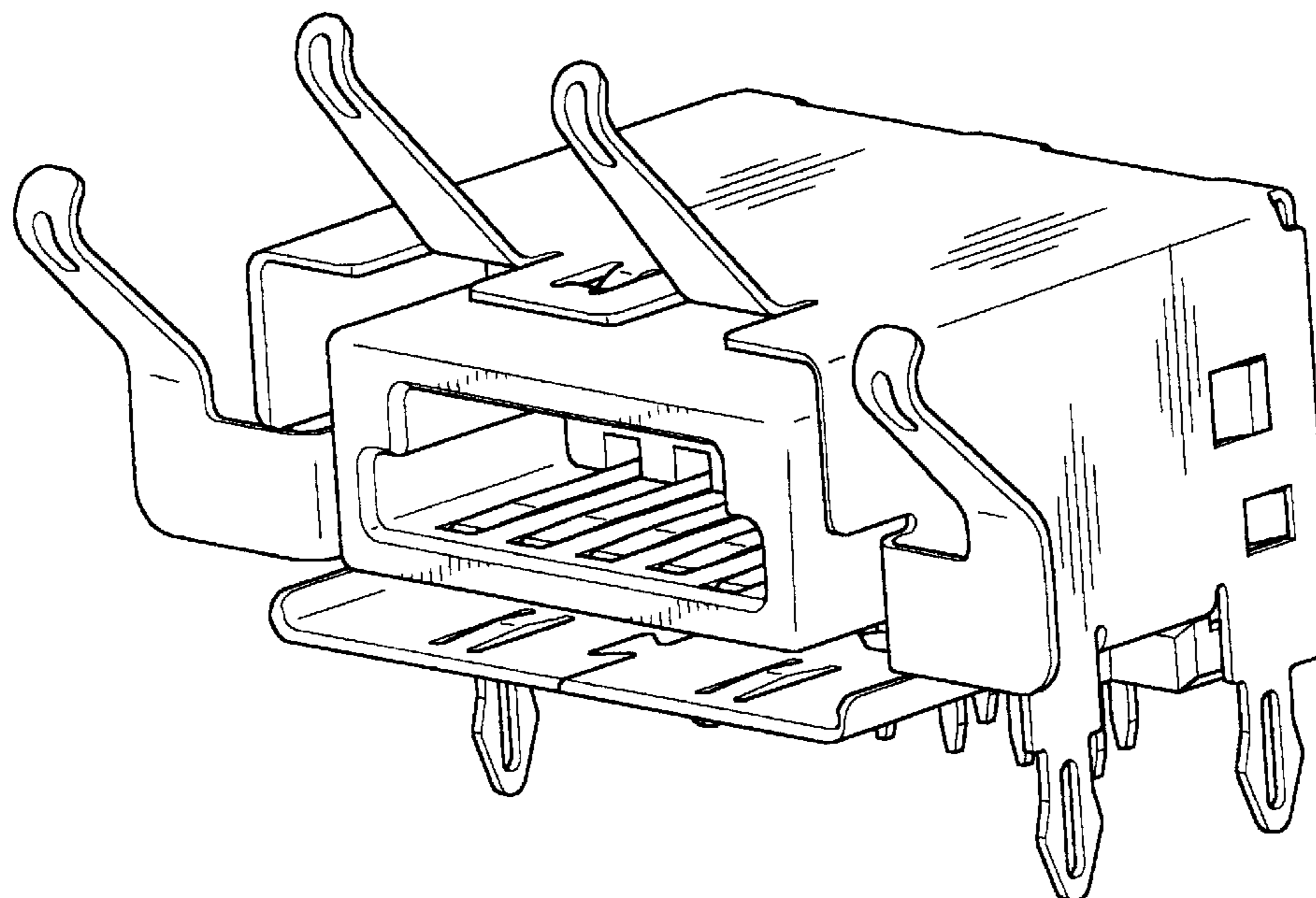
FIG. 1 is a perspective view of a receptacle connector showing my new design;  
FIG. 2 is a front elevational view thereof;  
FIG. 3 is a rear elevational view thereof;  
FIG. 4 is a left side elevational view thereof;  
FIG. 5 is a right side elevational view thereof;  
FIG. 6 is a top plan view thereof; and,  
FIG. 7 is a bottom plan view thereof.

**1 Claim, 4 Drawing Sheets**

(56) **References Cited**

**U.S. PATENT DOCUMENTS**

- 5,984,725 A \* 11/1999 Belopolsky et al. .... 439/607
- 5,993,258 A \* 11/1999 Matsunuma et al. .... 439/607
- D419,524 S \* 1/2000 Chiou et al. .... D13/147
- D422,562 S \* 4/2000 Huang ..... D13/147
- 6,183,300 B1 \* 2/2001 Belopolsky et al. .... 439/607



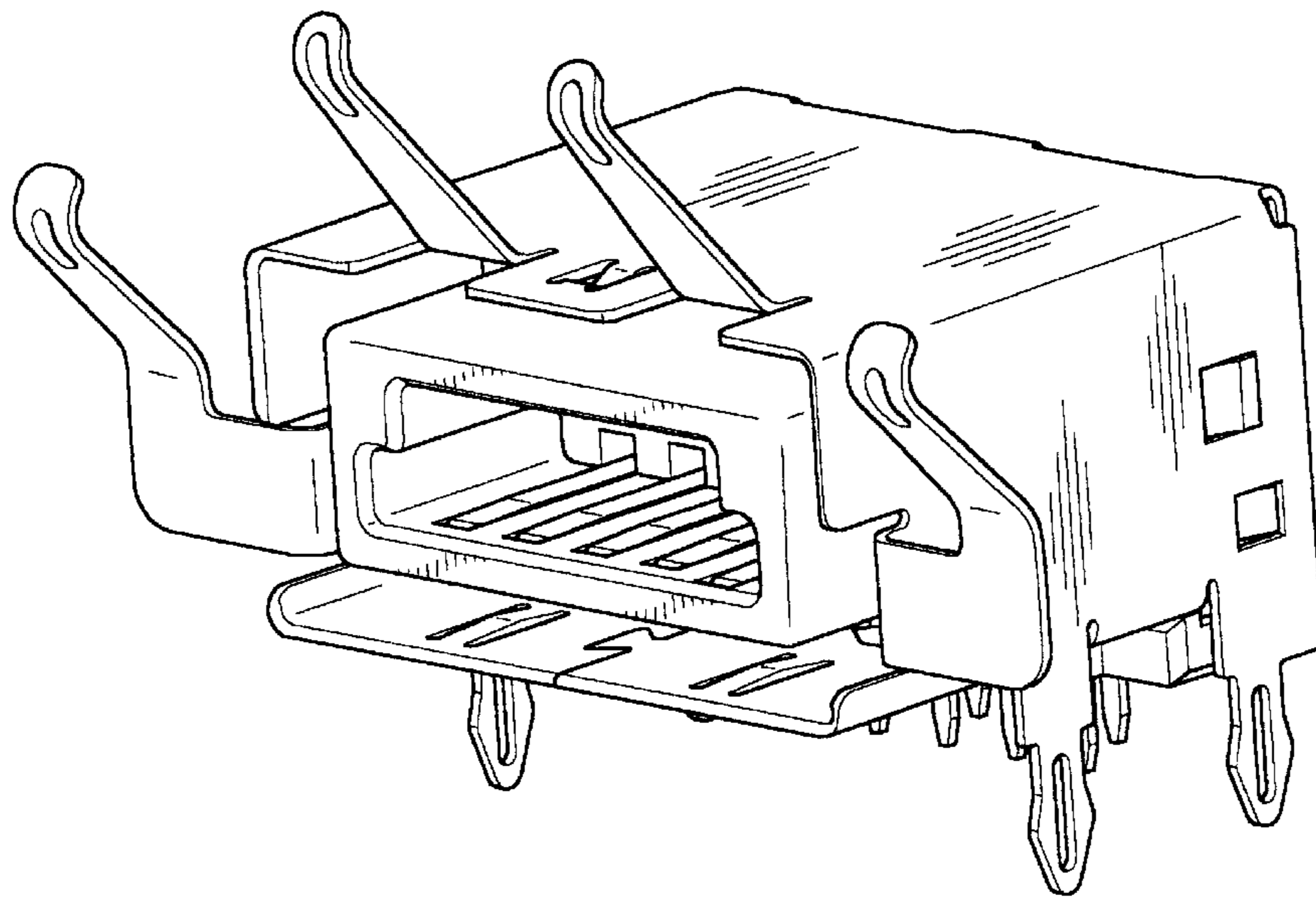


FIG. 1

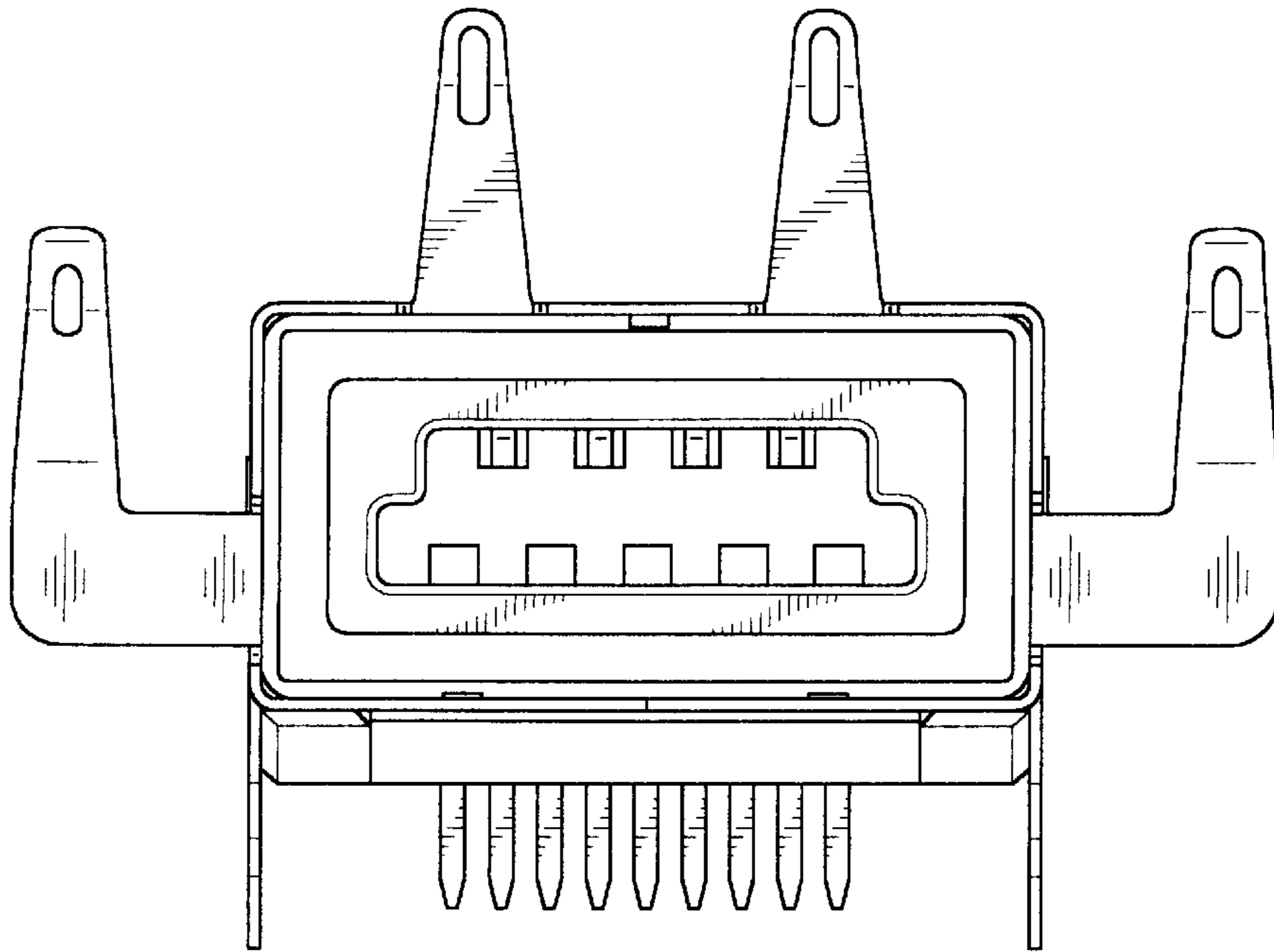


FIG. 2

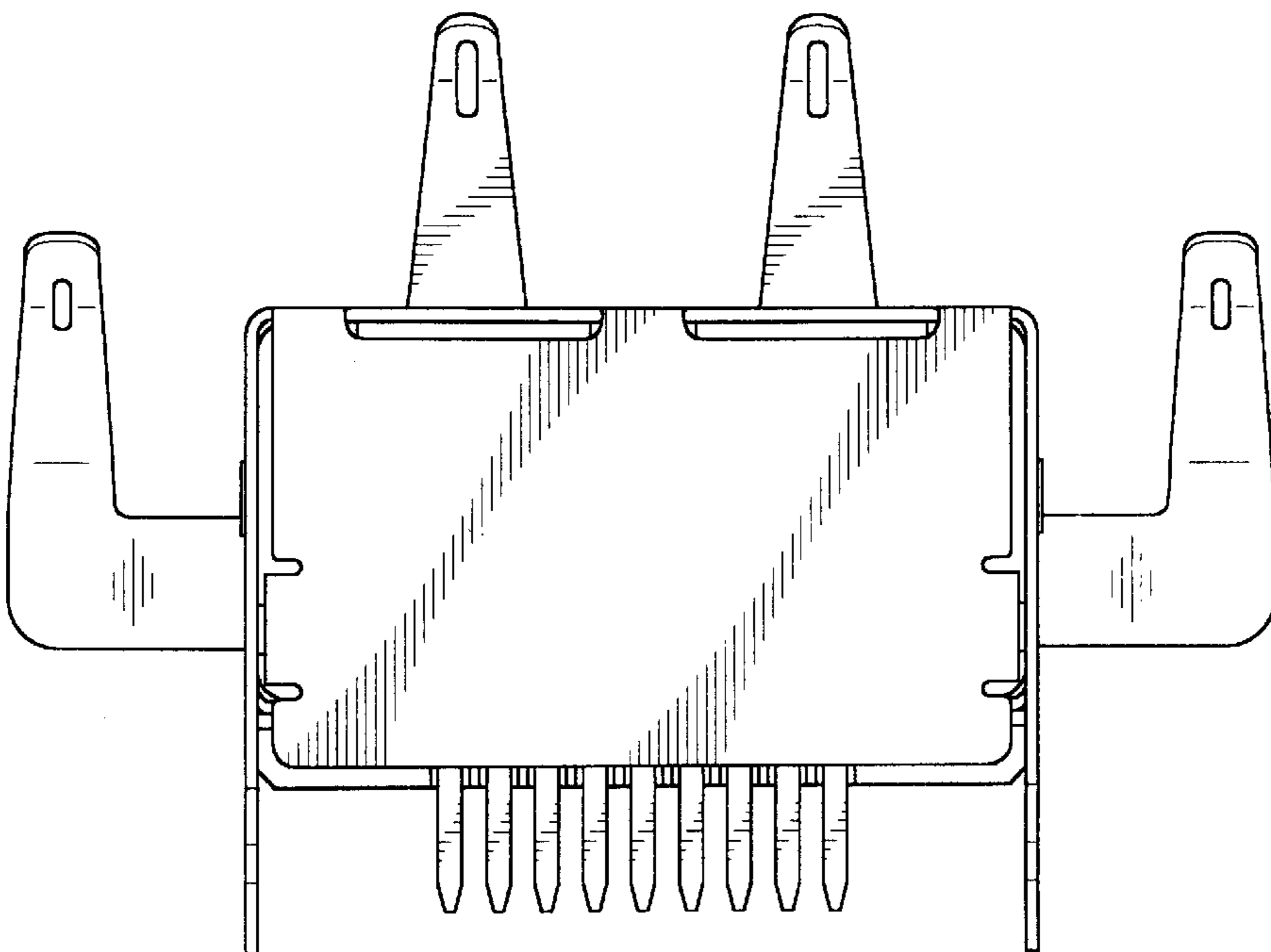


FIG. 3

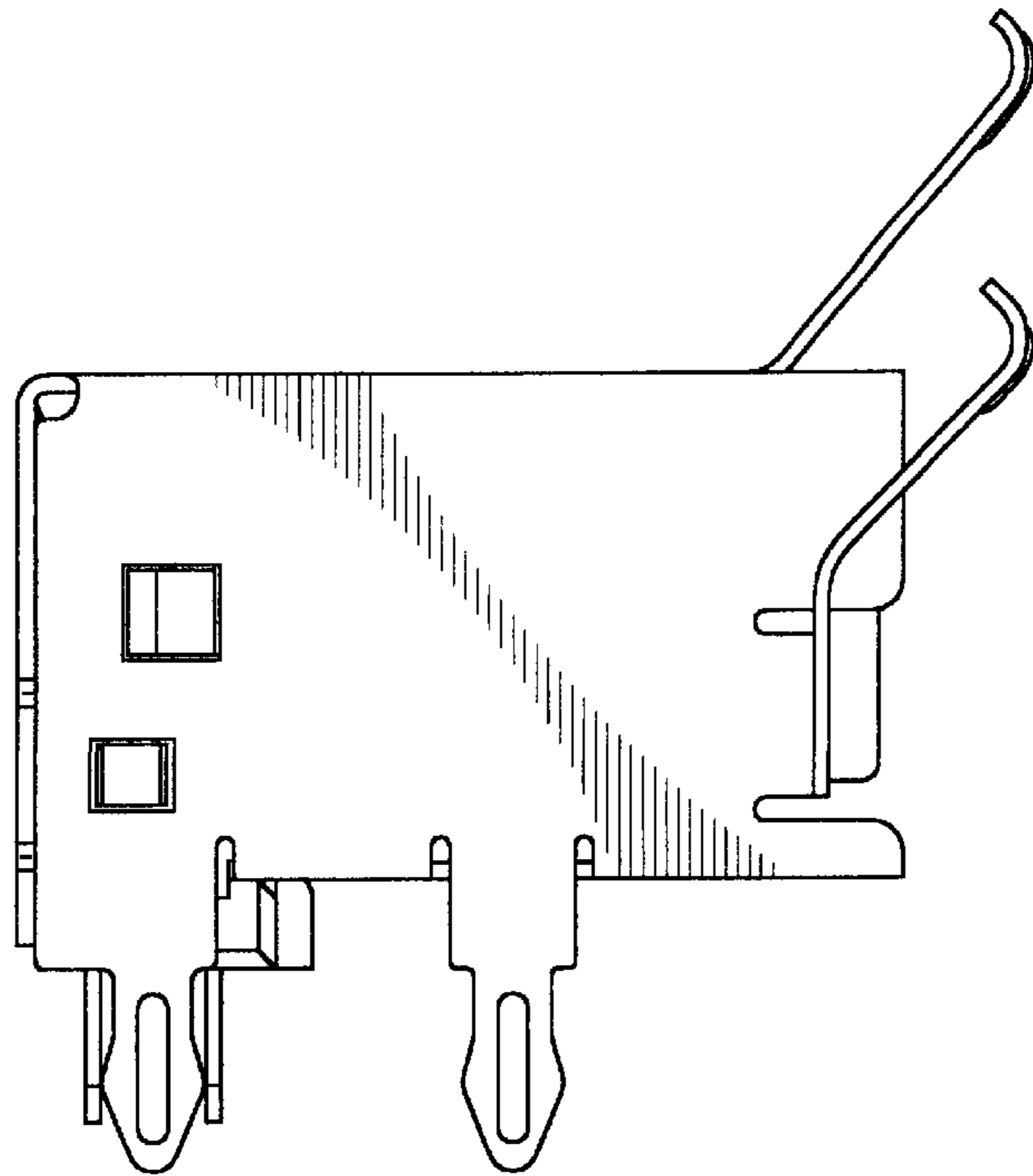


FIG. 4

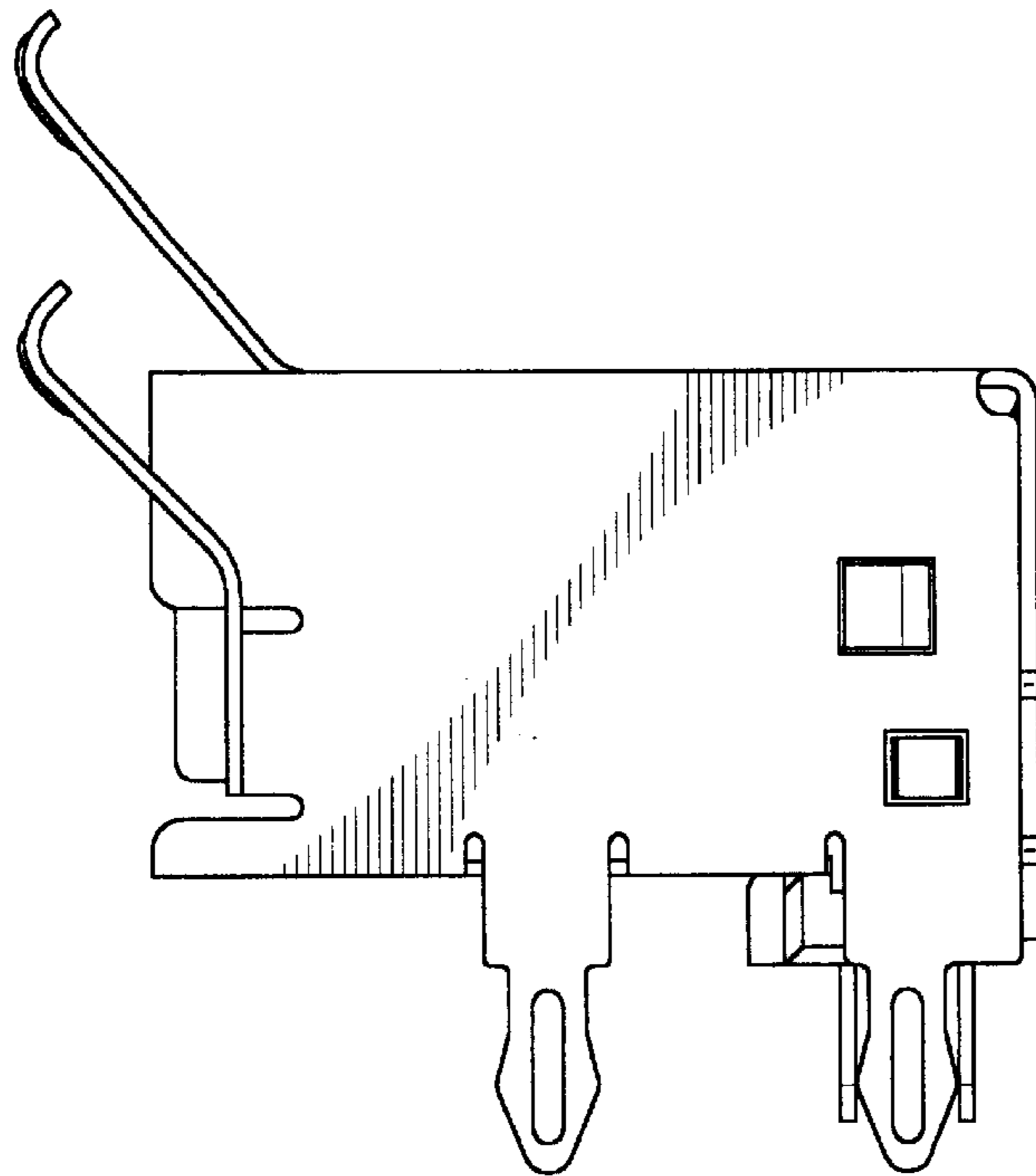


FIG. 5

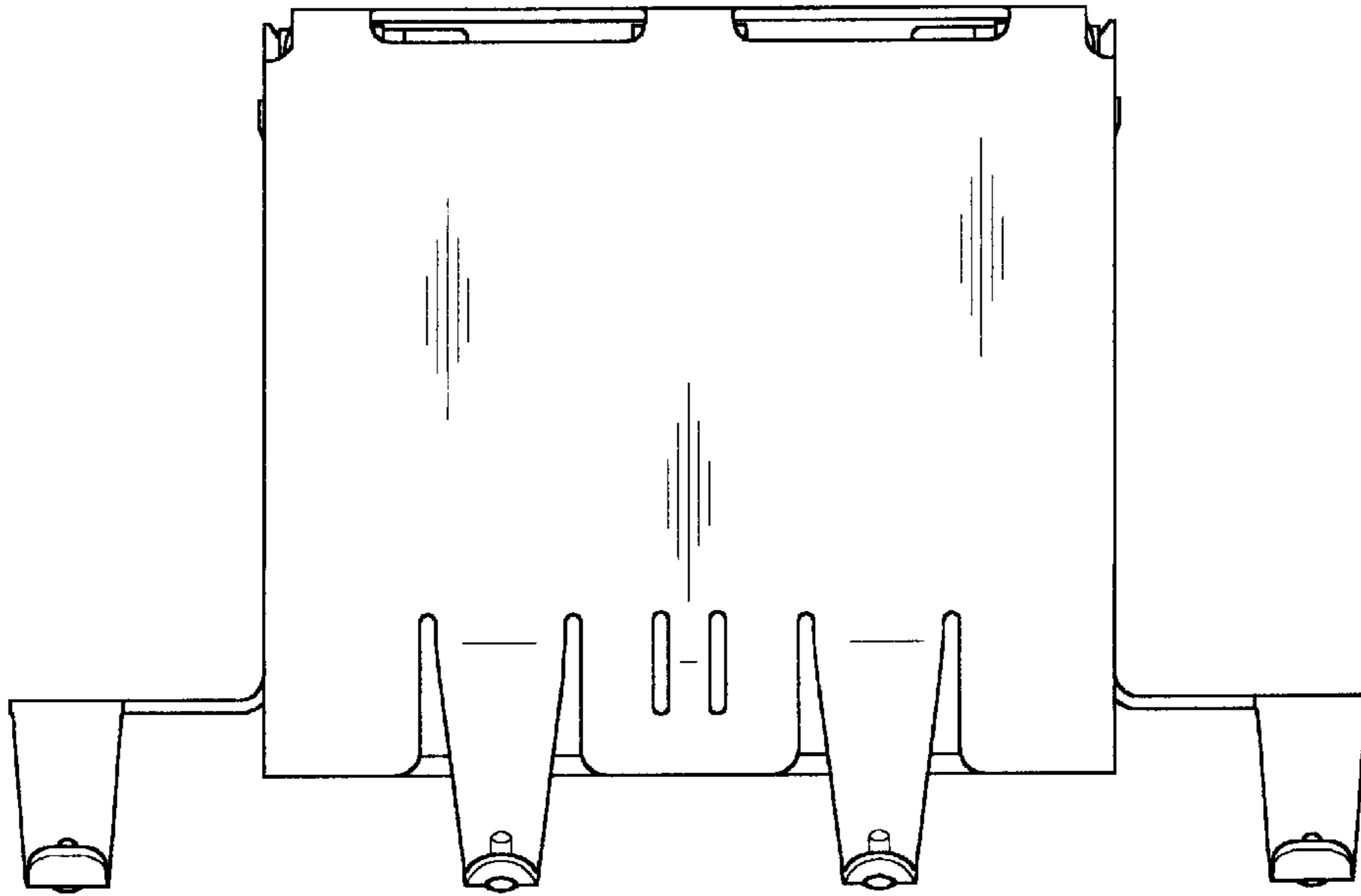


FIG. 6

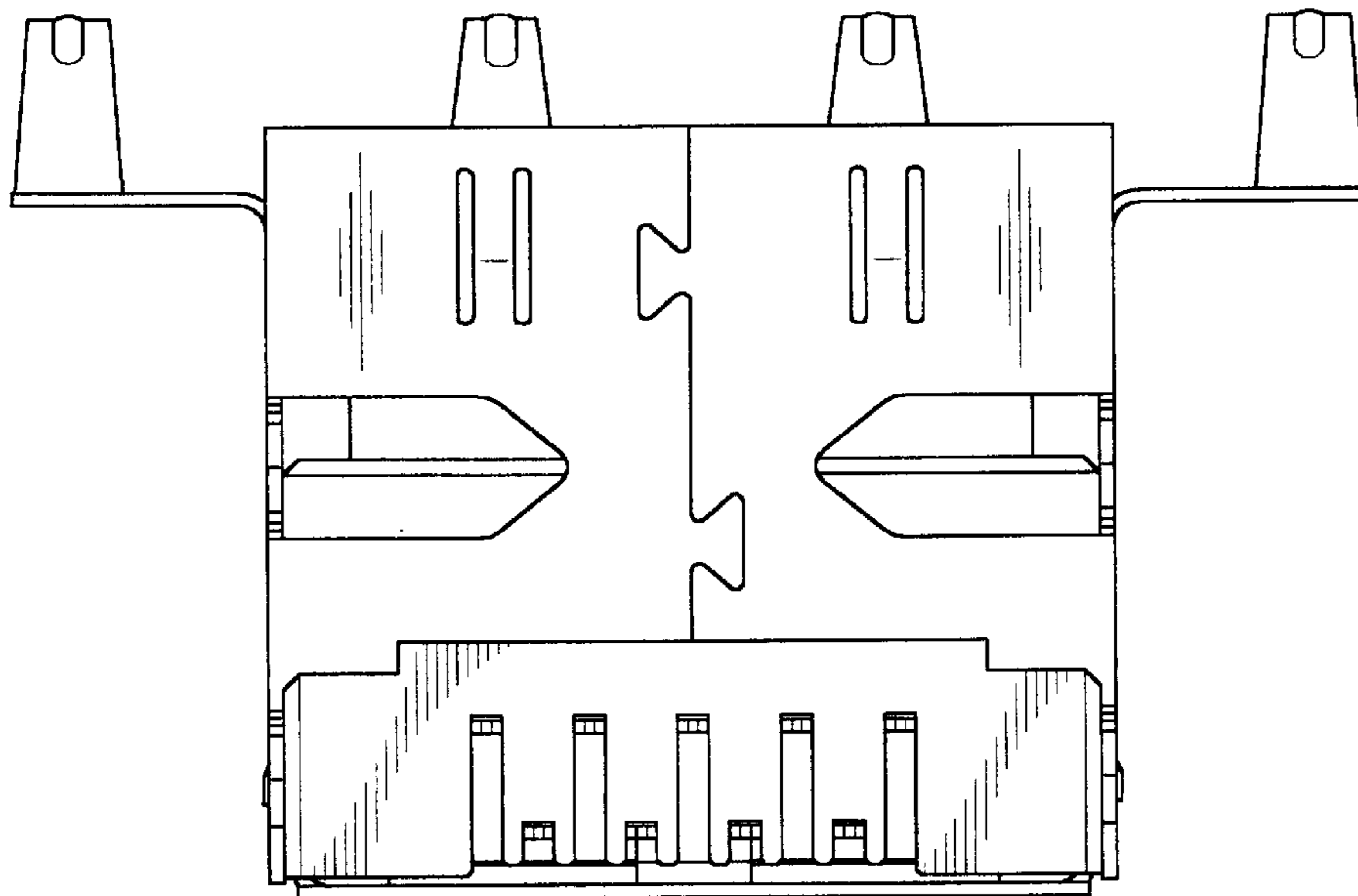


FIG. 7