



US00D524745S

(12) **United States Design Patent**
Su

(10) **Patent No.:** **US D524,745 S**

(45) **Date of Patent:** **** Jul. 11, 2006**

(54) **RECEPTACLE CONNECTOR**

(75) Inventor: **Chia Sheng Su, Tucheng (TW)**

(73) Assignee: **Cheng Uei Precision Industry Co., Ltd., Taipei (TW)**

(**) Term: **14 Years**

(21) Appl. No.: **29/219,494**

(22) Filed: **Dec. 20, 2004**

(51) **LOC (8) Cl.** **13-03**

(52) **U.S. Cl.** **D13/147**

(58) **Field of Classification Search** D13/133,
D13/146-147, 154, 199; 439/352, 465, 595,
439/607, 680, 752

See application file for complete search history.

(56) **References Cited**

U.S. PATENT DOCUMENTS

4,940,420	A	*	7/1990	Munie	439/272
D310,994	S	*	10/1990	Yagi et al.	D13/146
D310,995	S	*	10/1990	Yamamoto	D13/147
D324,032	S	*	2/1992	Sueyoshi et al.	D13/147
5,603,641	A	*	2/1997	Kuhn et al.	439/680

D415,999	S	*	11/1999	Esposito	D13/162
6,171,136	B1	*	1/2001	Liu et al.	439/466
6,482,045	B1	*	11/2002	Arai	439/680
D503,150	S	*	3/2005	Yamawaki et al.	D13/147
6,964,582	B1	*	11/2005	Zhuang et al.	439/607
2005/0124218	A1	*	6/2005	Chen et al.	439/607

* cited by examiner

Primary Examiner—Stella Reid

Assistant Examiner—Daniel Bui

(74) *Attorney, Agent, or Firm*—Rosenberg, Klein & Lee

(57) **CLAIM**

The ornamental design for a receptacle connector, as shown and described.

DESCRIPTION

FIG. 1 is a perspective view of a receptacle connector showing my new design;

FIG. 2 is a front elevational view thereof;

FIG. 3 is a rear elevational view thereof;

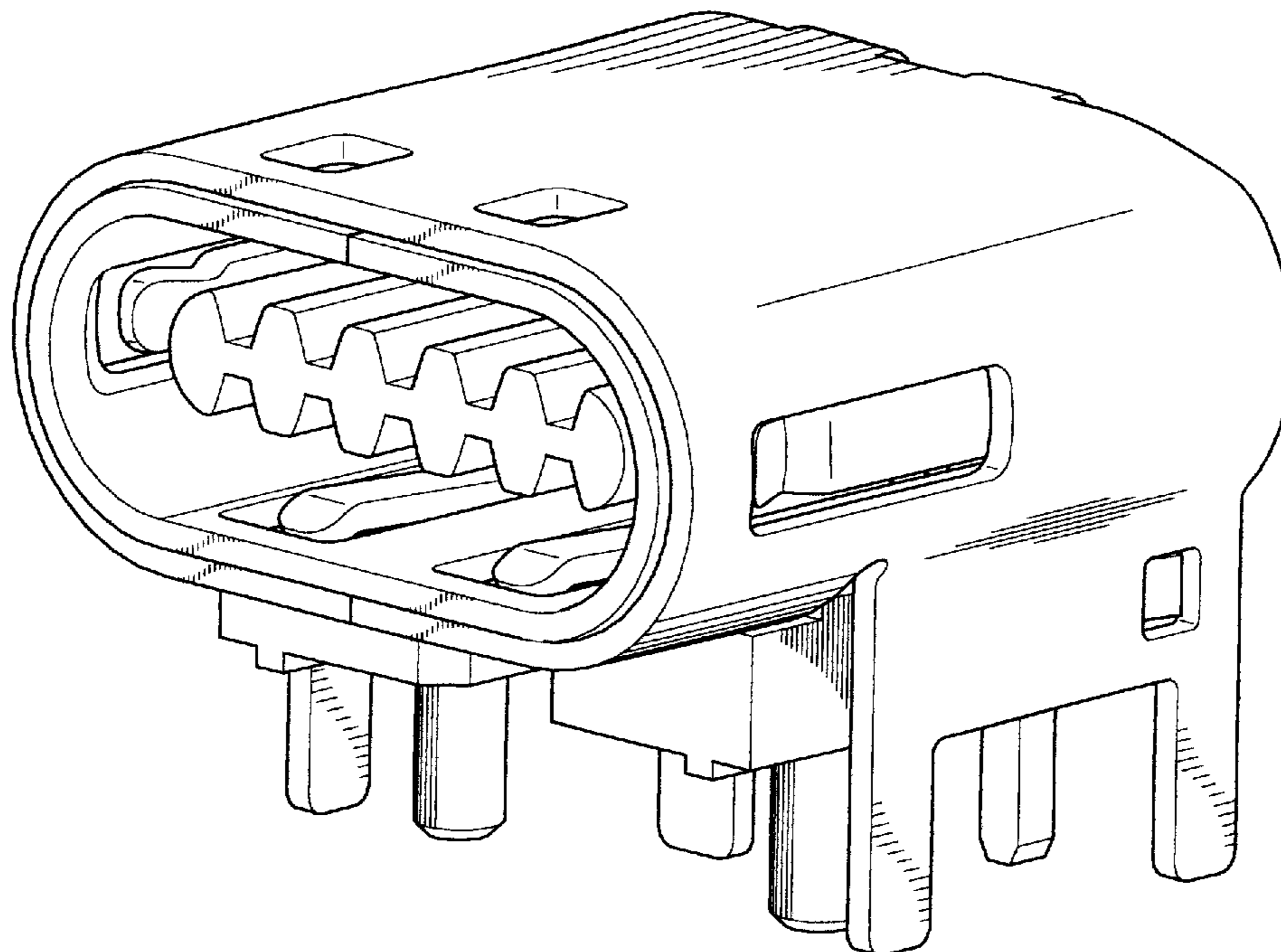
FIG. 4 is a left side elevational view thereof;

FIG. 5 is a right side elevational view thereof;

FIG. 6 is a top plan view thereof; and,

FIG. 7 is a bottom plan view thereof.

1 Claim, 4 Drawing Sheets



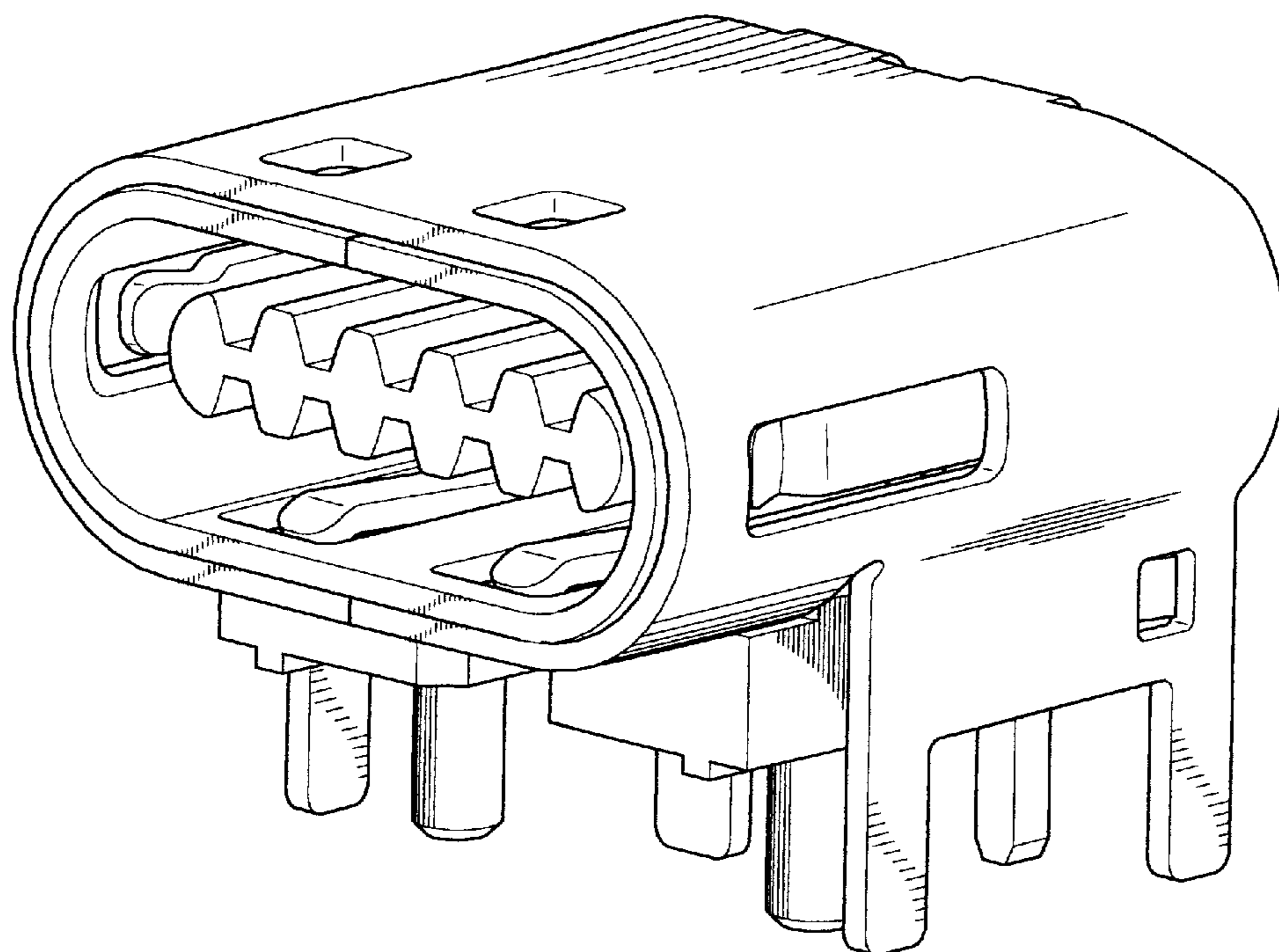


FIG. 1

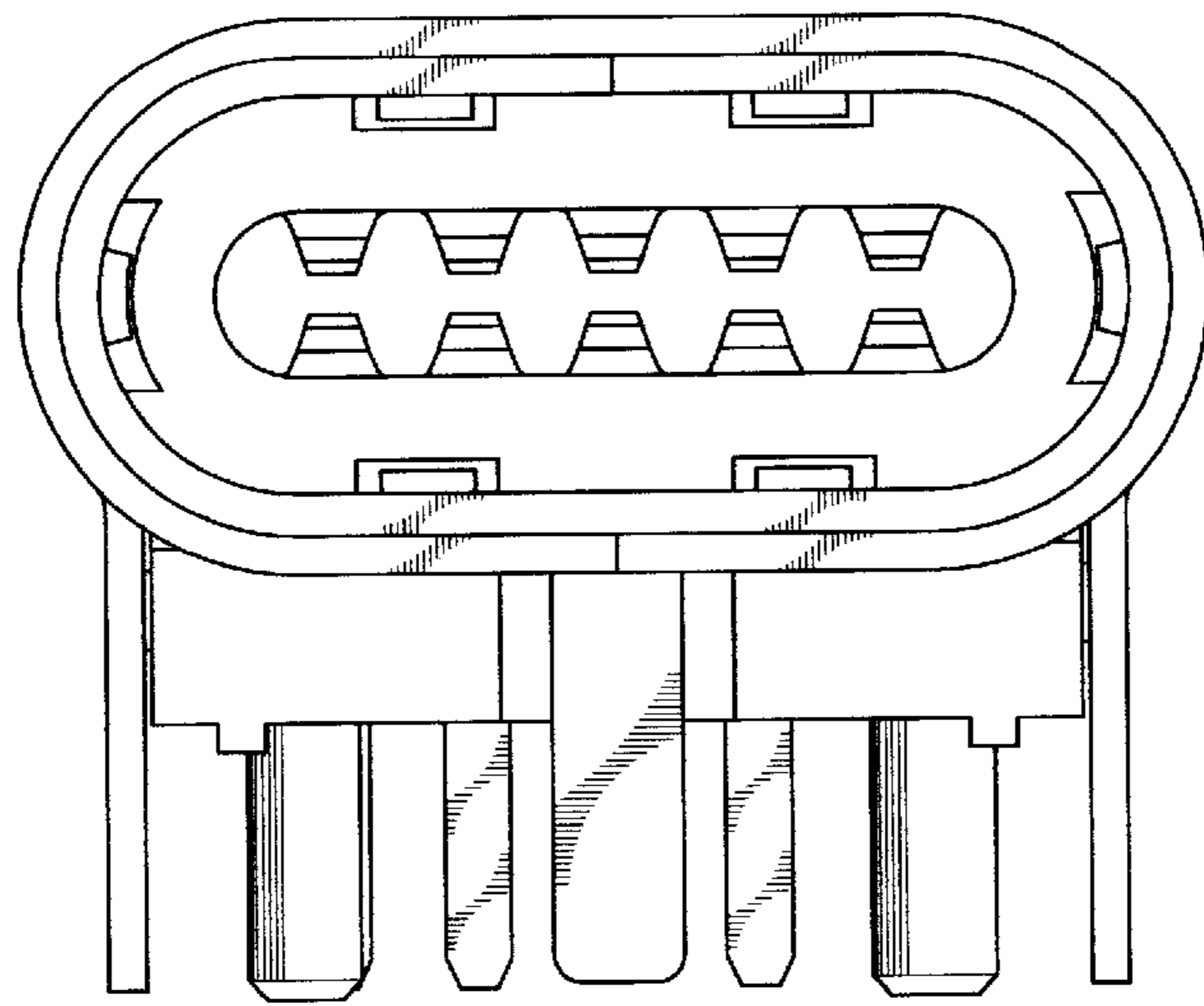


FIG. 2

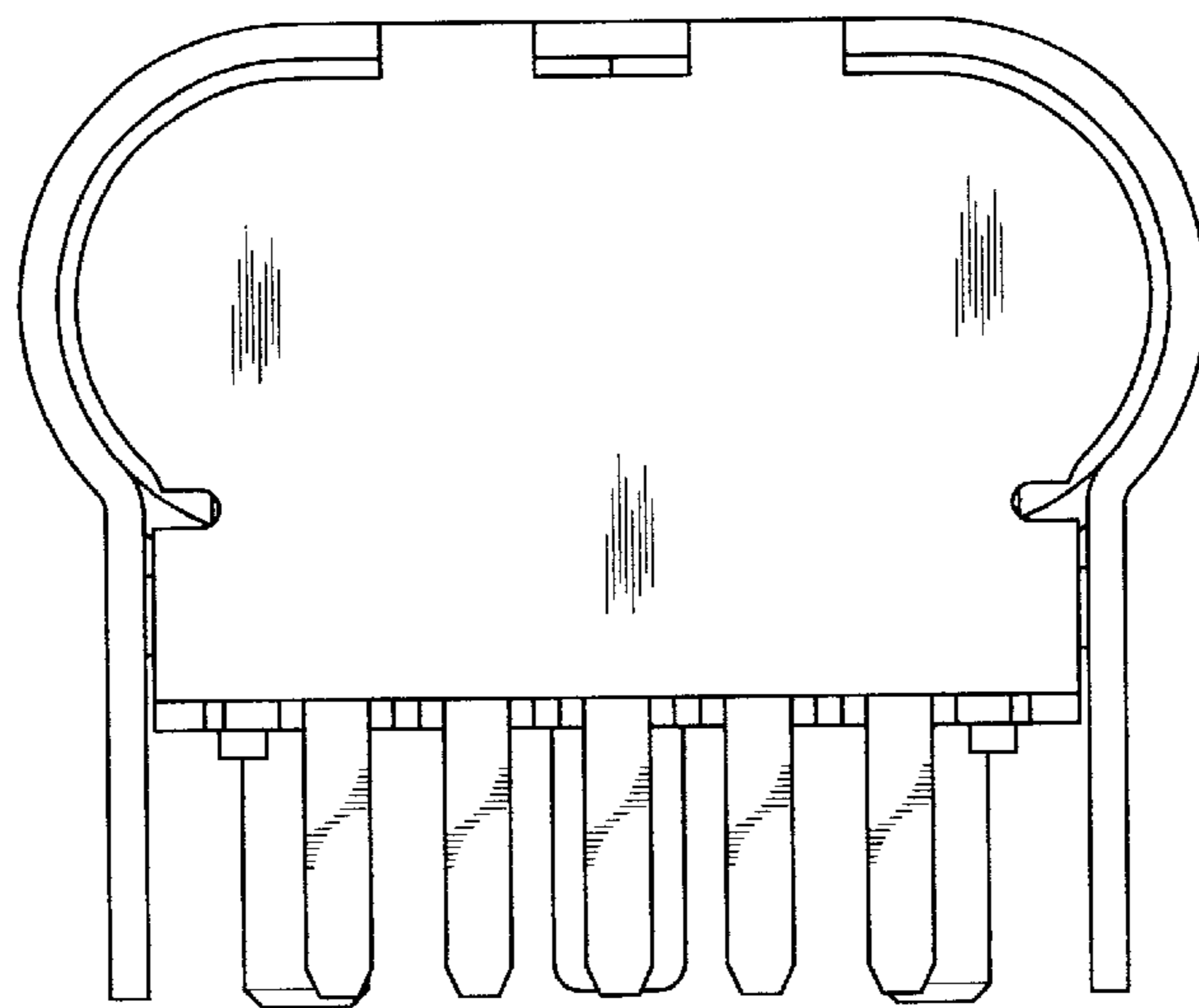


FIG. 3

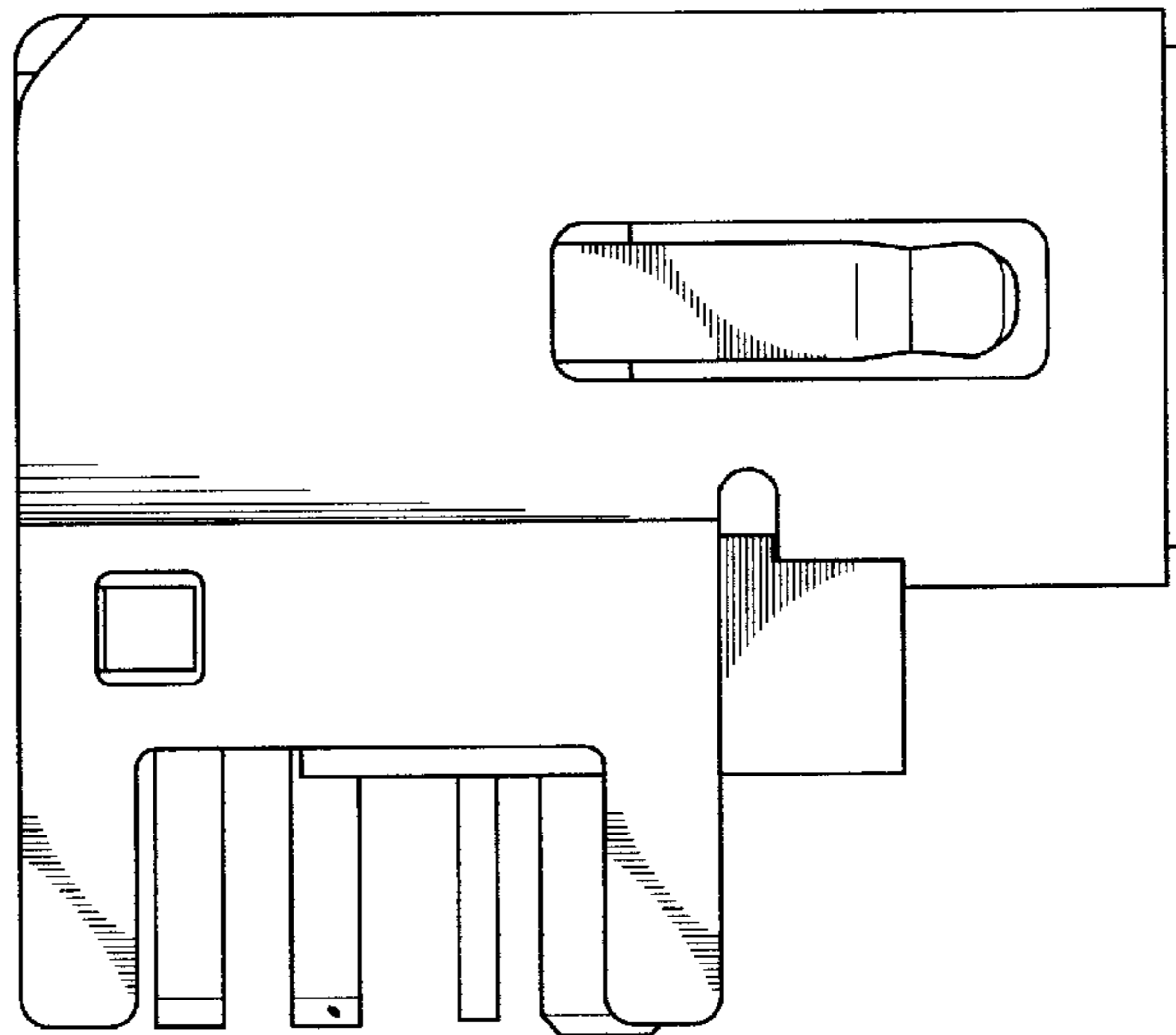


FIG. 4

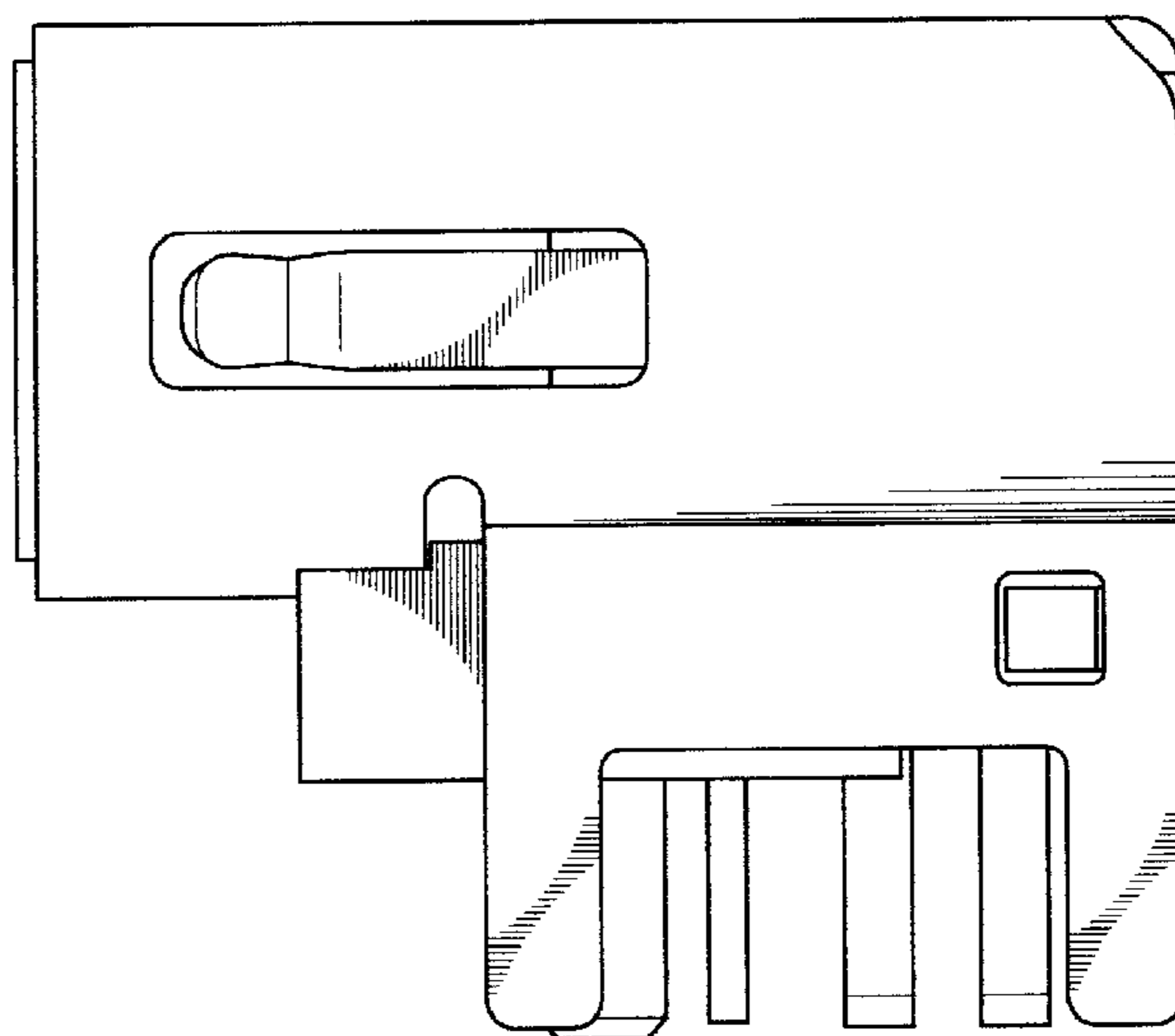


FIG. 5

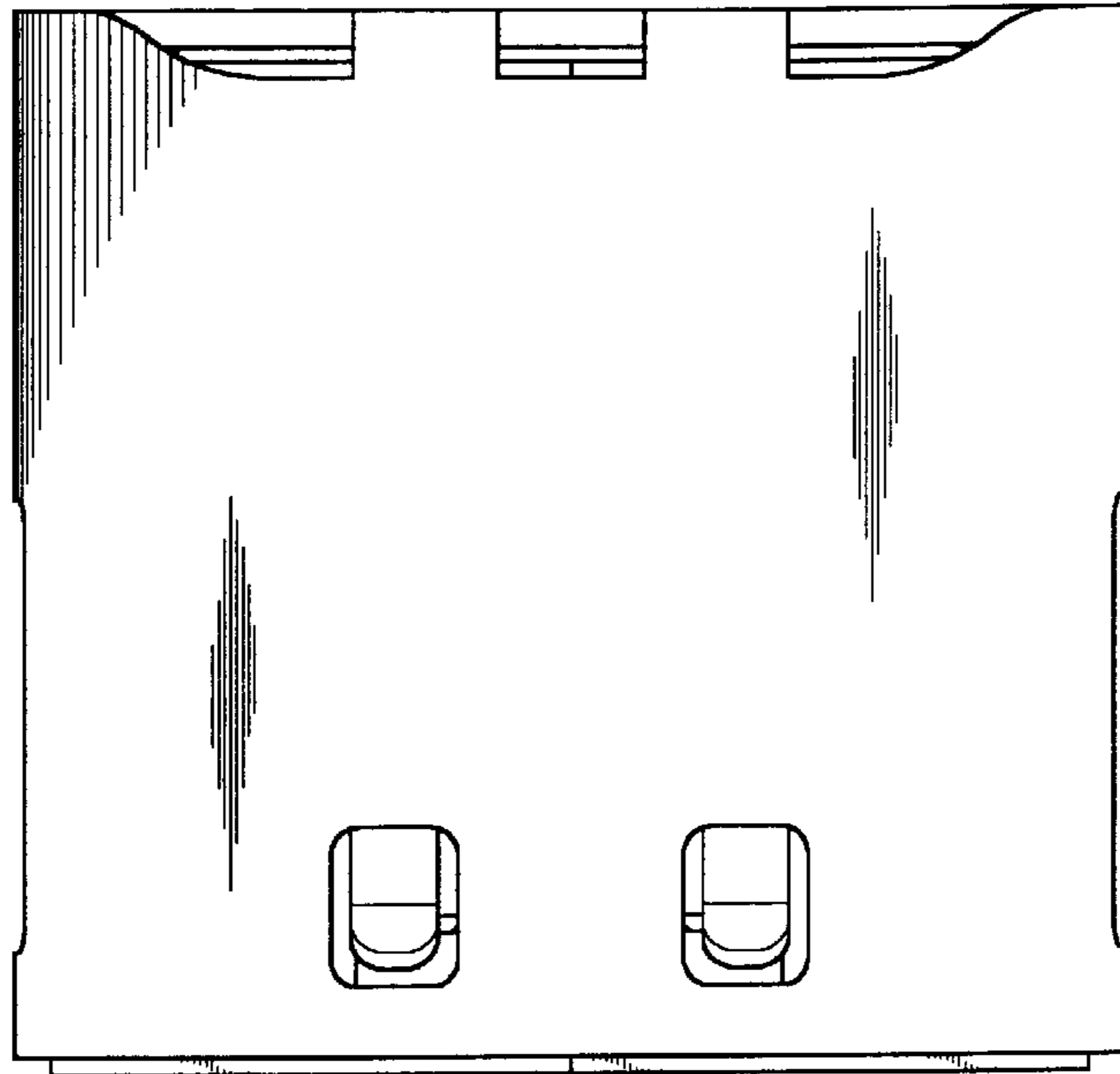


FIG. 6

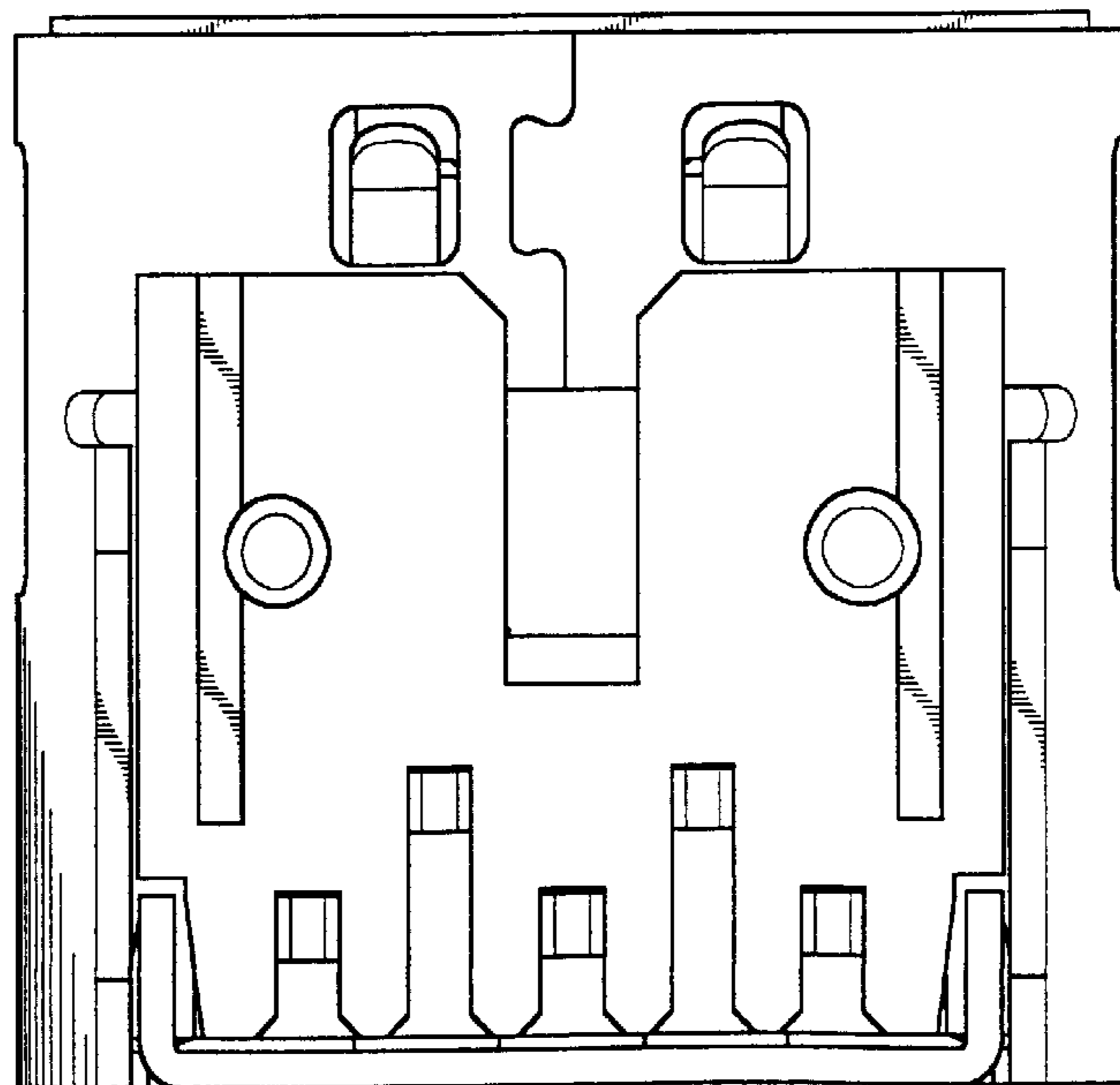


FIG. 7