



US00D524742S

(12) **United States Design Patent**
Kumagai

(10) **Patent No.:** **US D524,742 S**

(45) **Date of Patent:** **** Jul. 11, 2006**

(54) **CONNECTOR**

(75) Inventor: **Izuru Kumagai**, Yokohama (JP)

(73) Assignee: **J.S.T. Mfg. Co., Ltd.**, Osaka (JP)

(**) Term: **14 Years**

(21) Appl. No.: **29/213,191**

(22) Filed: **Sep. 15, 2004**

(30) **Foreign Application Priority Data**

Mar. 29, 2004	(JP)	2004-009387
Mar. 29, 2004	(JP)	2004-009390

(51) **LOC (8) Cl.** **13-03**

(52) **U.S. Cl.** **D13/147**

(58) **Field of Classification Search** D13/133,
D13/146–147, 154, 184, 199; 439/247–248,
439/350, 352, 354, 357, 374, 489, 680
See application file for complete search history.

(56) **References Cited**

U.S. PATENT DOCUMENTS

D310,993	S	*	10/1990	Ohkura et al.	D13/146
5,417,583	A	*	5/1995	Ishizaki et al.	439/409
D463,370	S	*	9/2002	Chen	D13/147
D494,141	S	*	8/2004	Spink, Jr.	D13/147
D502,922	S	*	3/2005	Cheng et al.	D13/147
6,860,765	B1	*	3/2005	Spink, Jr.	439/680

* cited by examiner

Primary Examiner—Stella Reid

Assistant Examiner—Daniel Bui

(74) *Attorney, Agent, or Firm*—Armstrong, Kratz, Quintos,
Hanson & Brooks, LLP

(57) **CLAIM**

The ornamental design for a connector, as shown and described.

DESCRIPTION

FIG. 1 is a perspective view of a first embodiment of a connector shown from a front side;
 FIG. 2 is a perspective view thereof shown from a rear side;
 FIG. 3 is a front view thereof;
 FIG. 4 is a rear view thereof;
 FIG. 5 is a right side view thereof;
 FIG. 6 is a top plan view thereof;
 FIG. 7 is a bottom plan view thereof;
 FIG. 8 is a sectional view thereof, taken along line 8—8 of FIG. 3;
 FIG. 9 is a reference view of a connector attached to the cables.
 FIG. 10 is a perspective view of a second embodiment of a connector shown from a front side;
 FIG. 11 is a perspective view thereof shown from a rear side;
 FIG. 12 is a front view thereof;
 FIG. 13 is a rear view thereof;
 FIG. 14 is a right side view thereof;
 FIG. 15 is a top plan view thereof;
 FIG. 16 is a bottom plan view thereof;
 FIG. 17 is a sectional view thereof, taken along line 17—17 of FIG. 12; and,
 FIG. 18 is a reference view of a connector attached to the cables.
 The left side view is omitted, since it appears symmetrically with the right side view.
 The broken line showing the environment is for illustrative purposes only and forms no part of the claimed design.

1 Claim, 10 Drawing Sheets

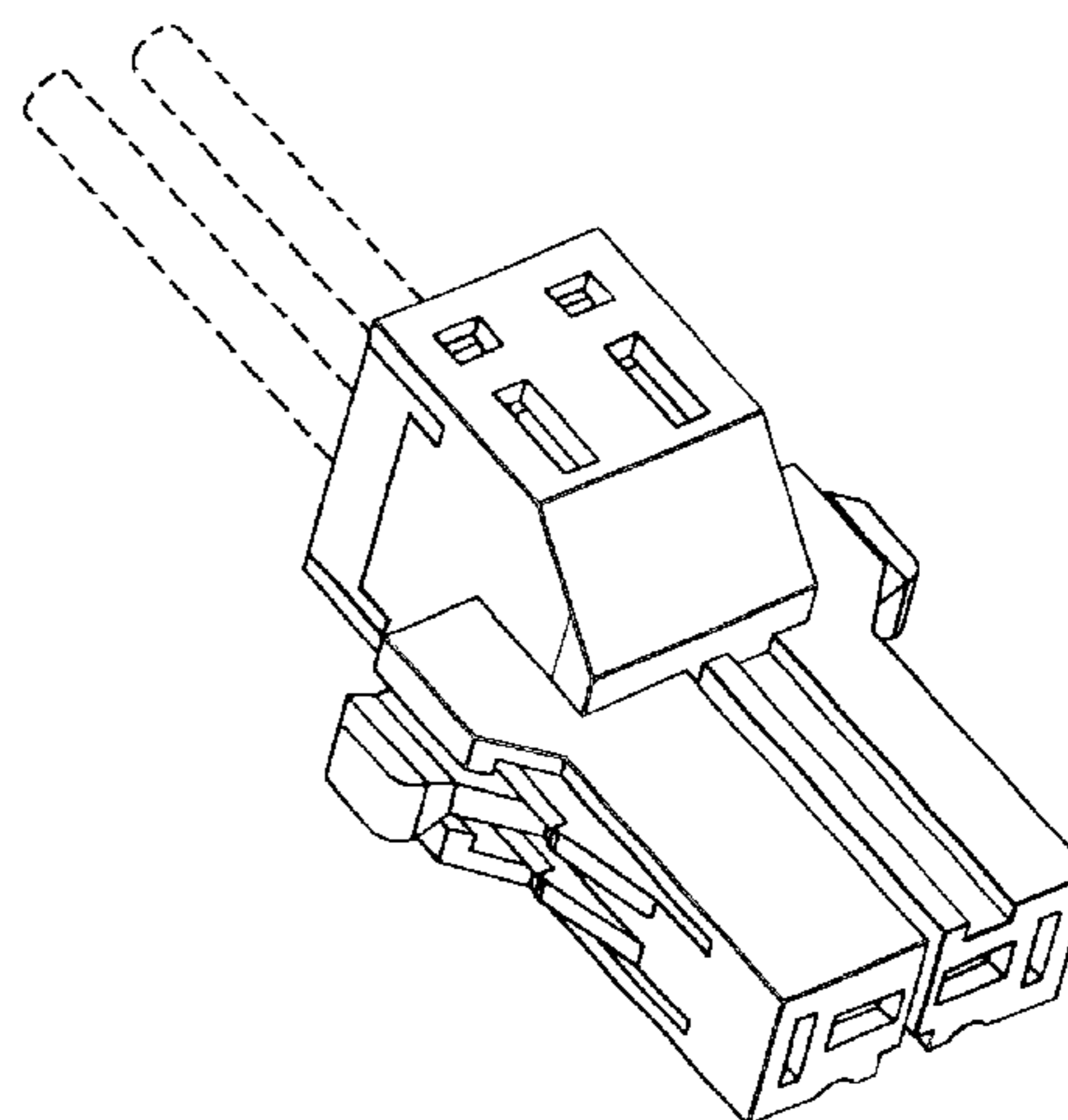
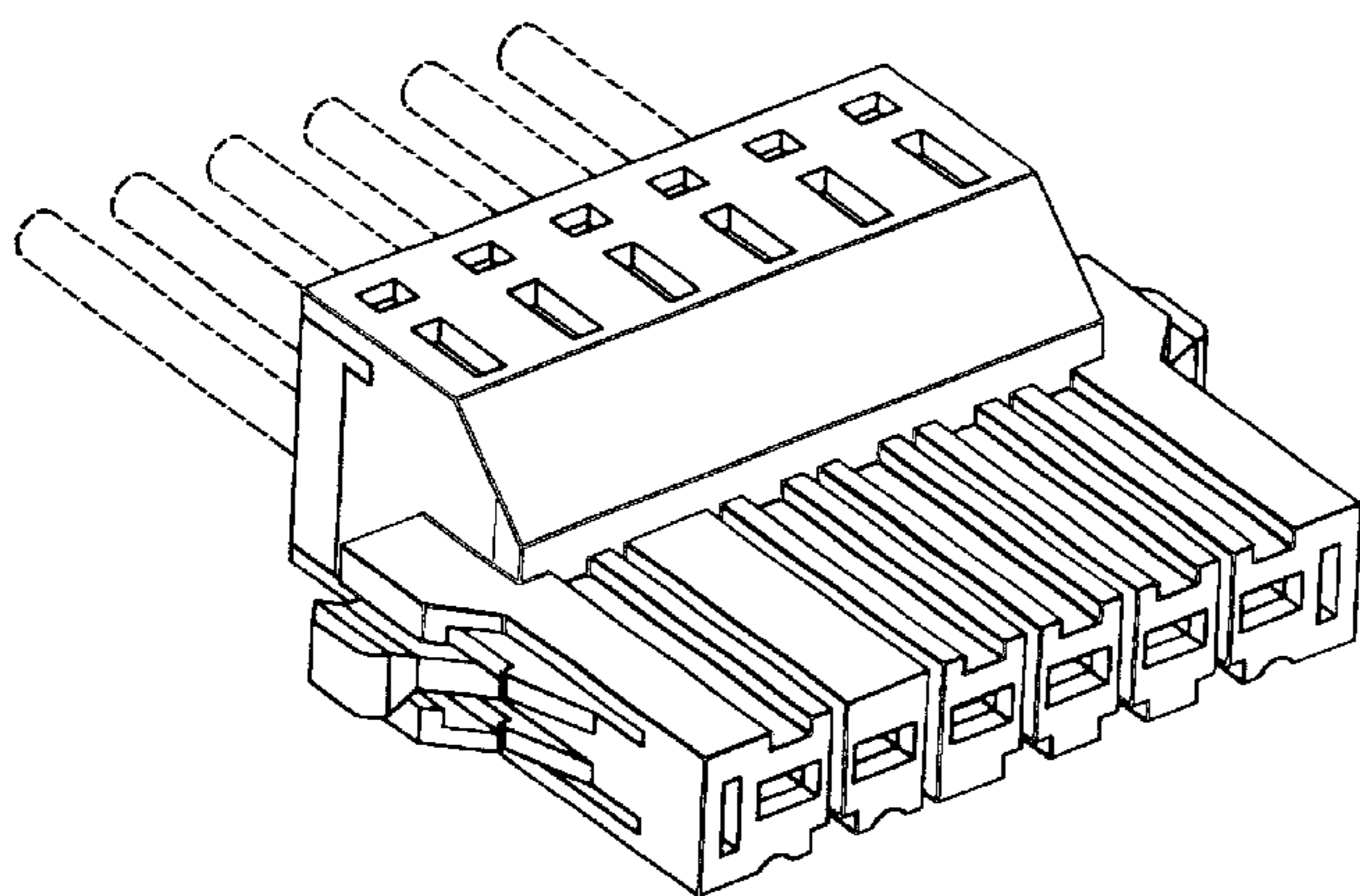


FIG. 1

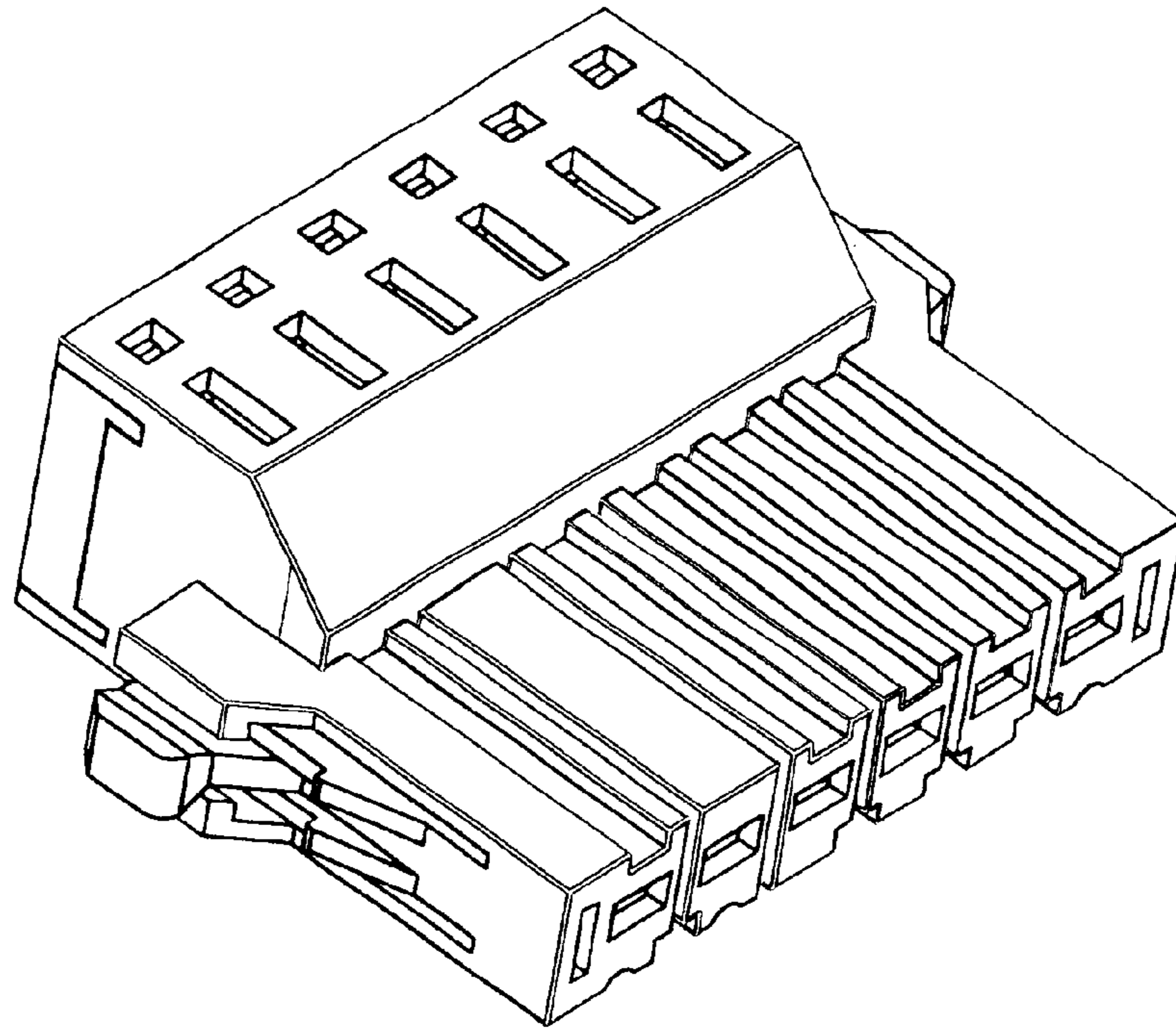


FIG. 2

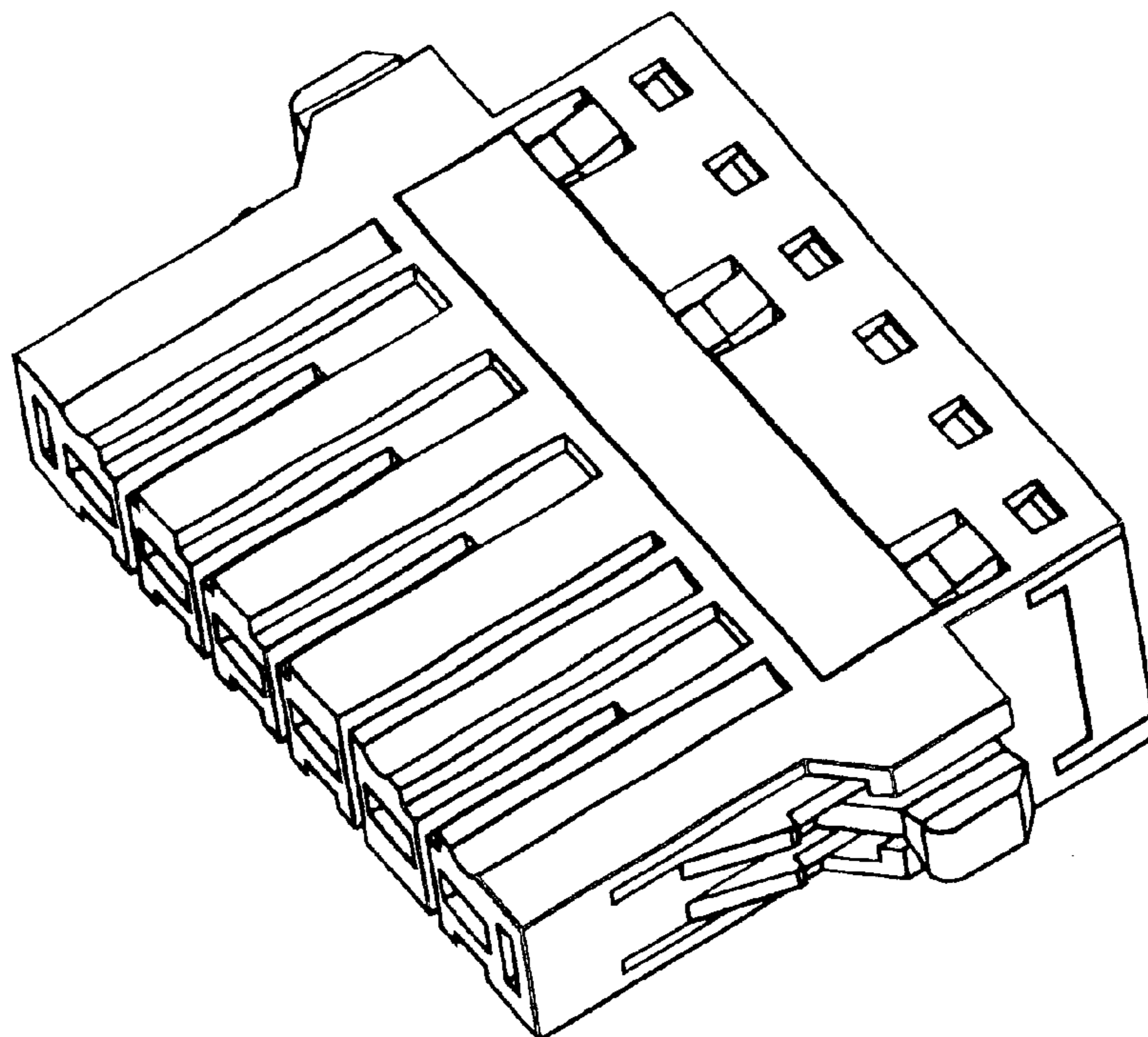


FIG.3

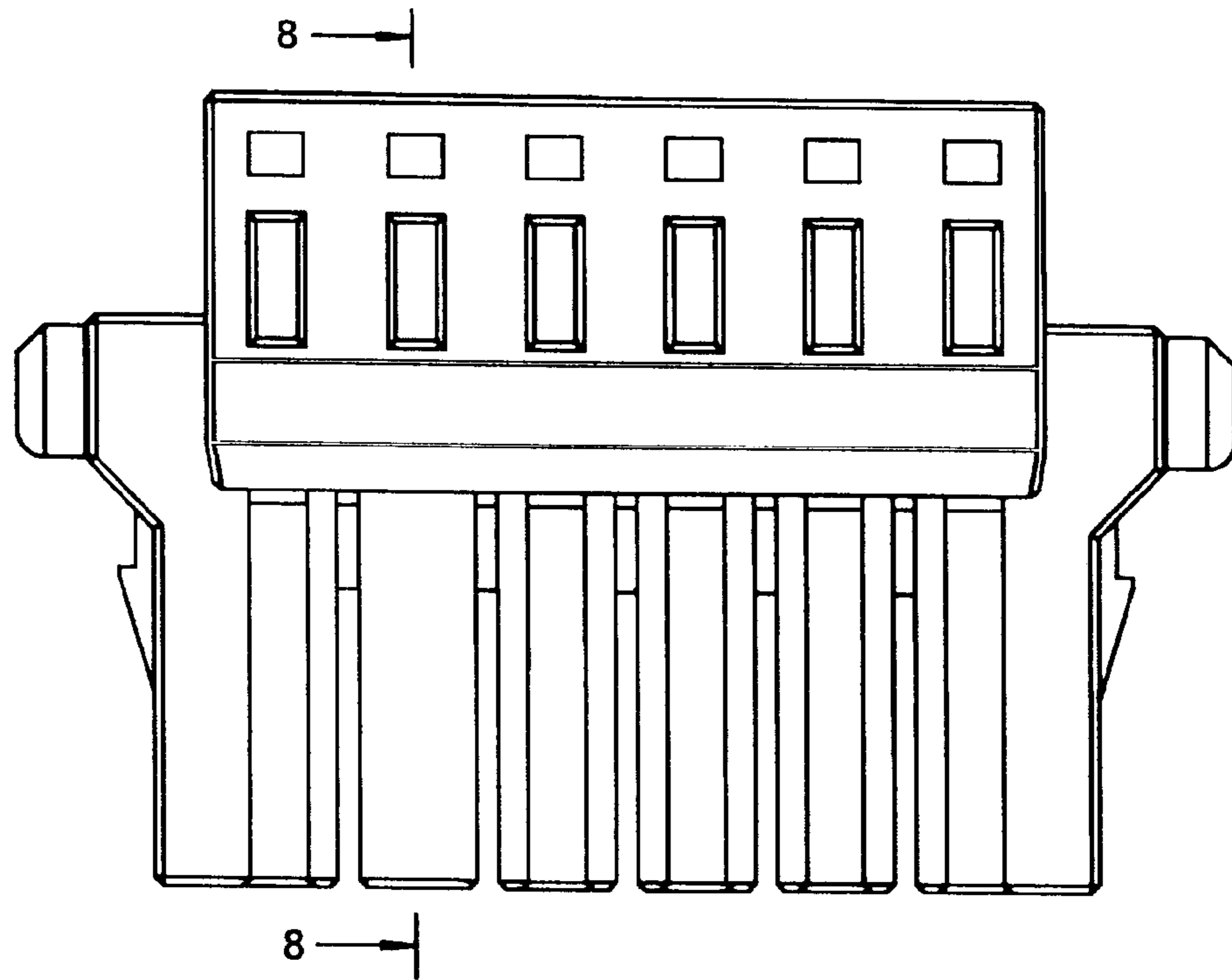


FIG.4

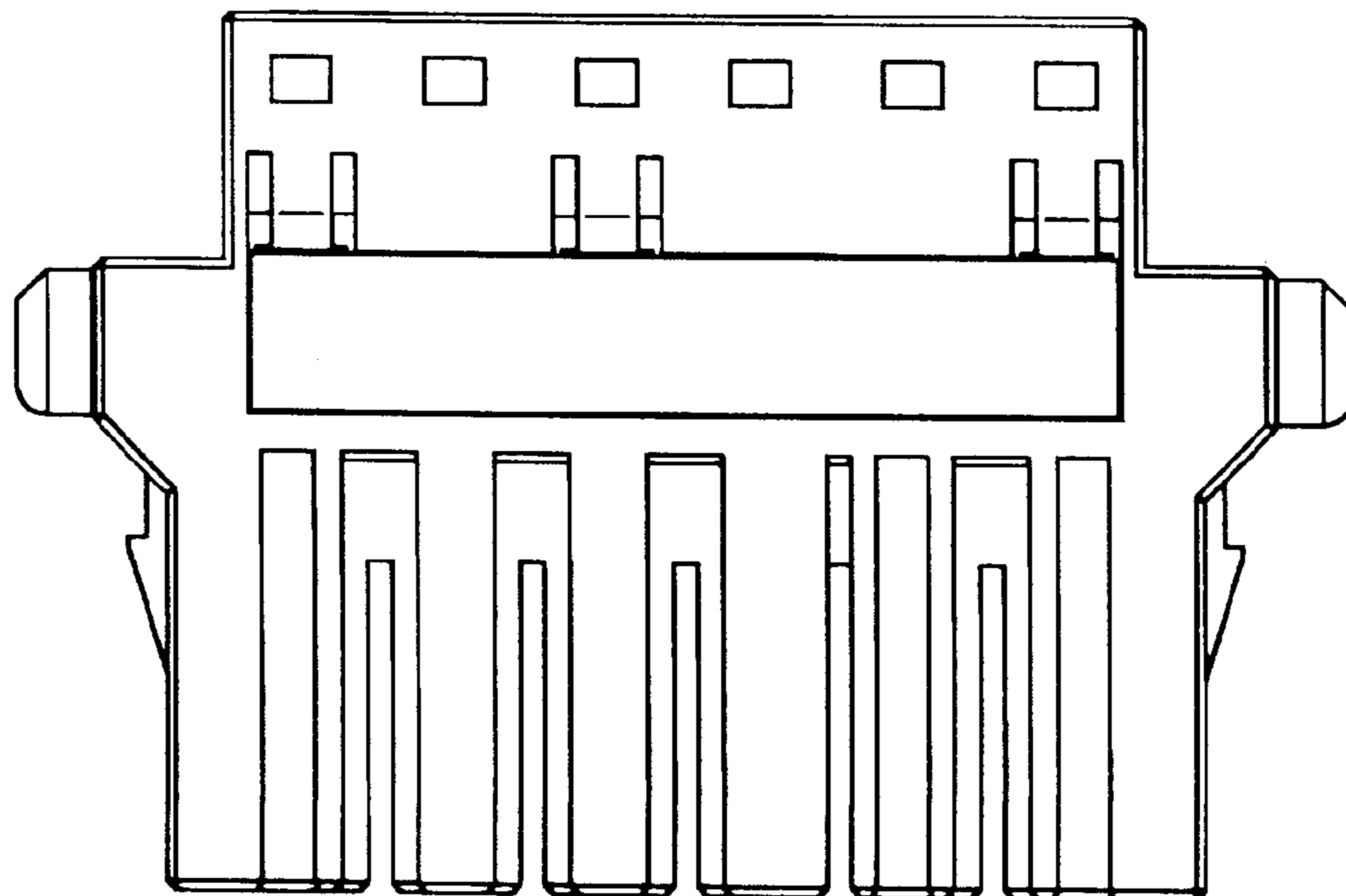


FIG.5

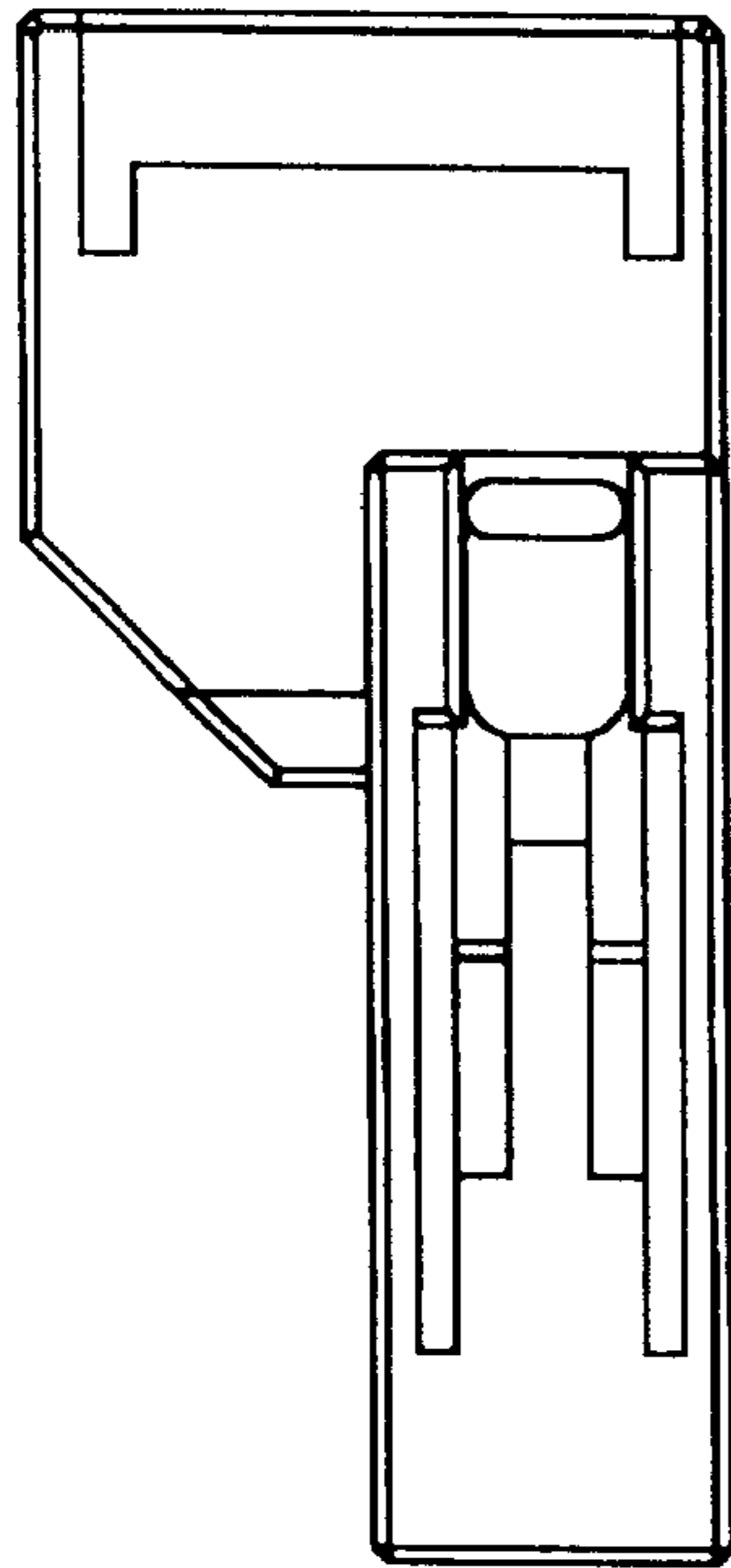


FIG.6

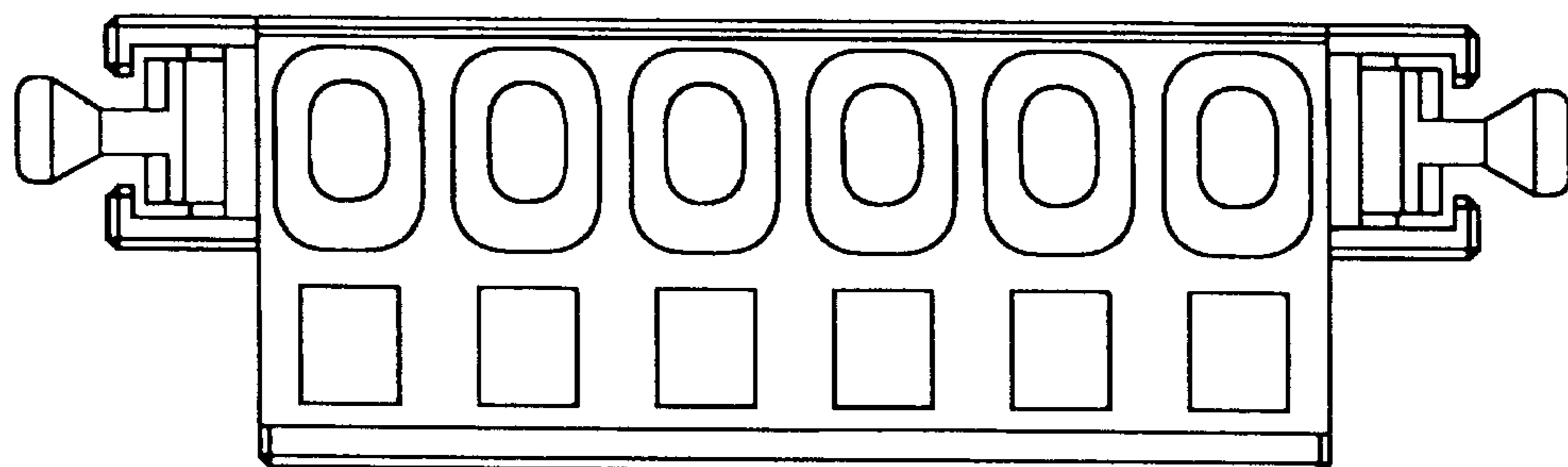


FIG.7

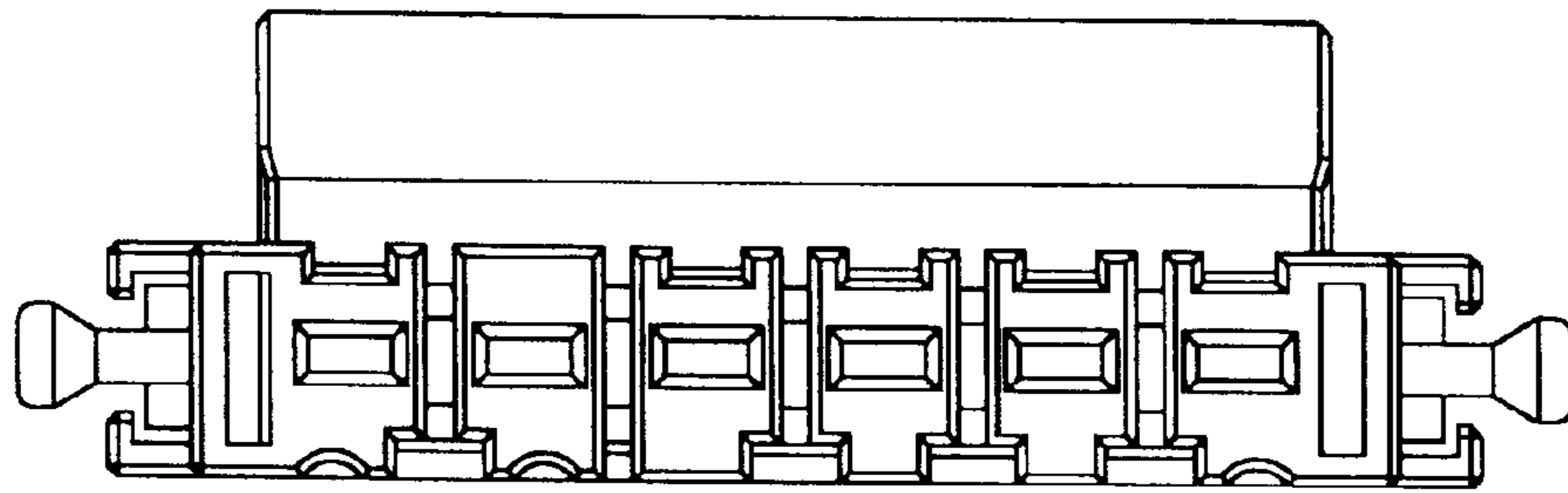


FIG.8

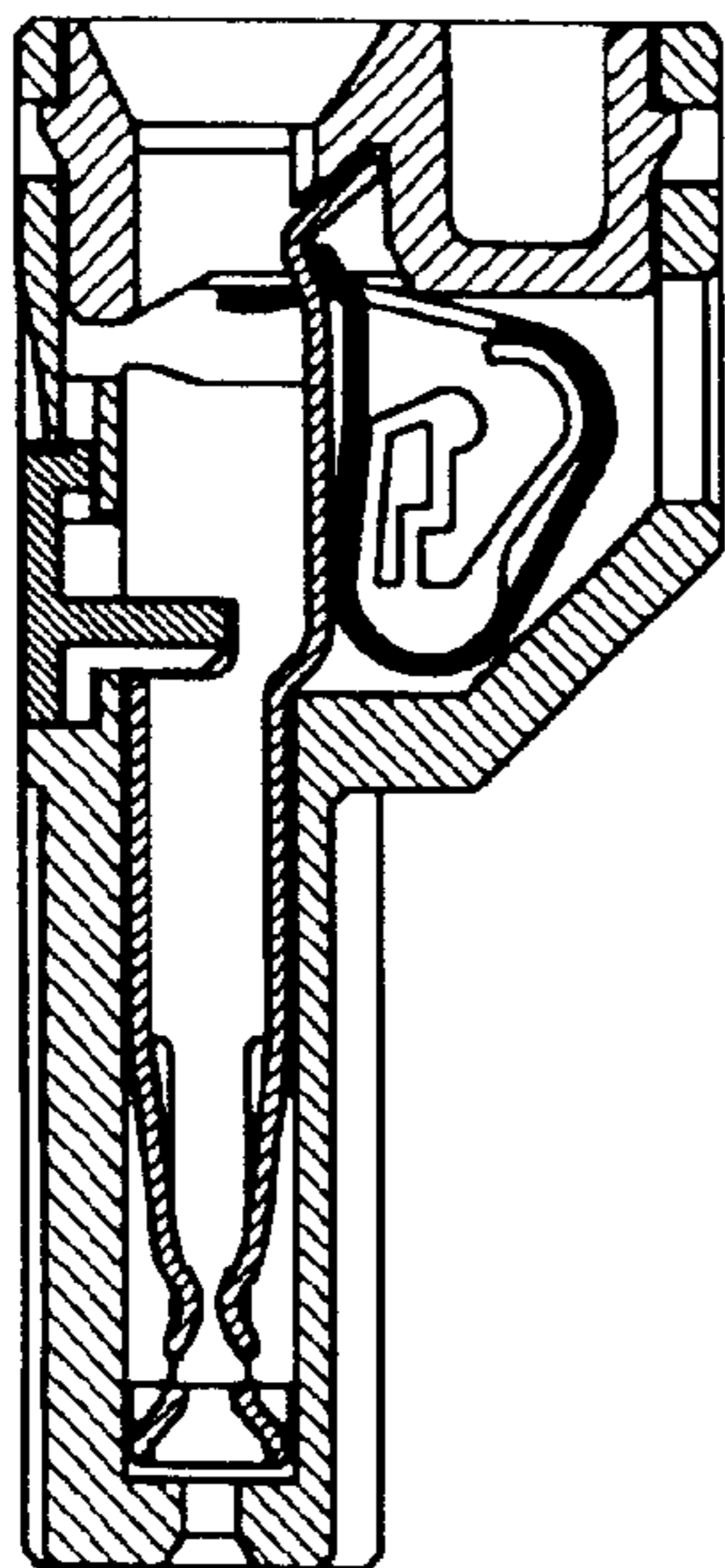


FIG. 9

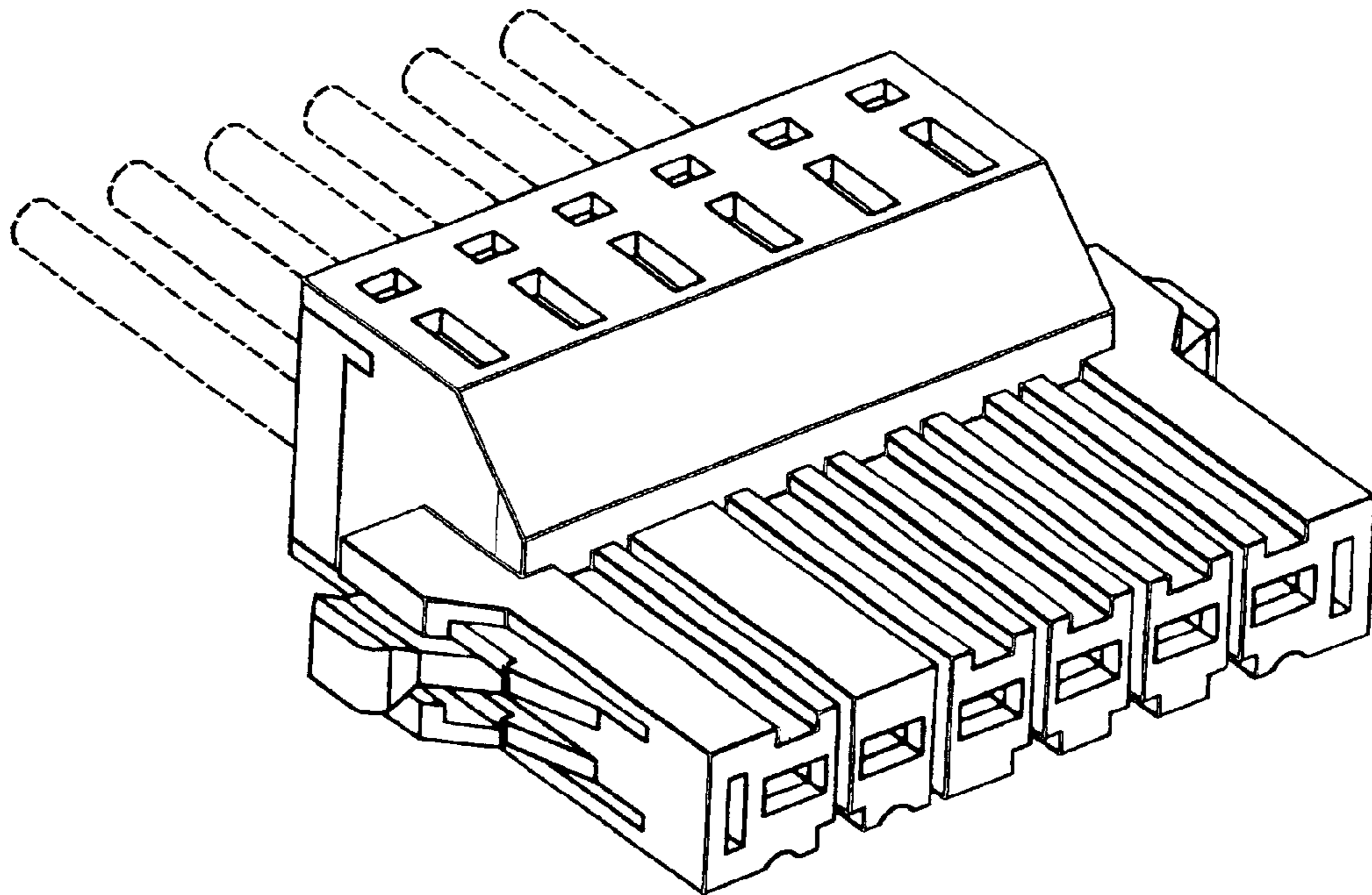


FIG. 10

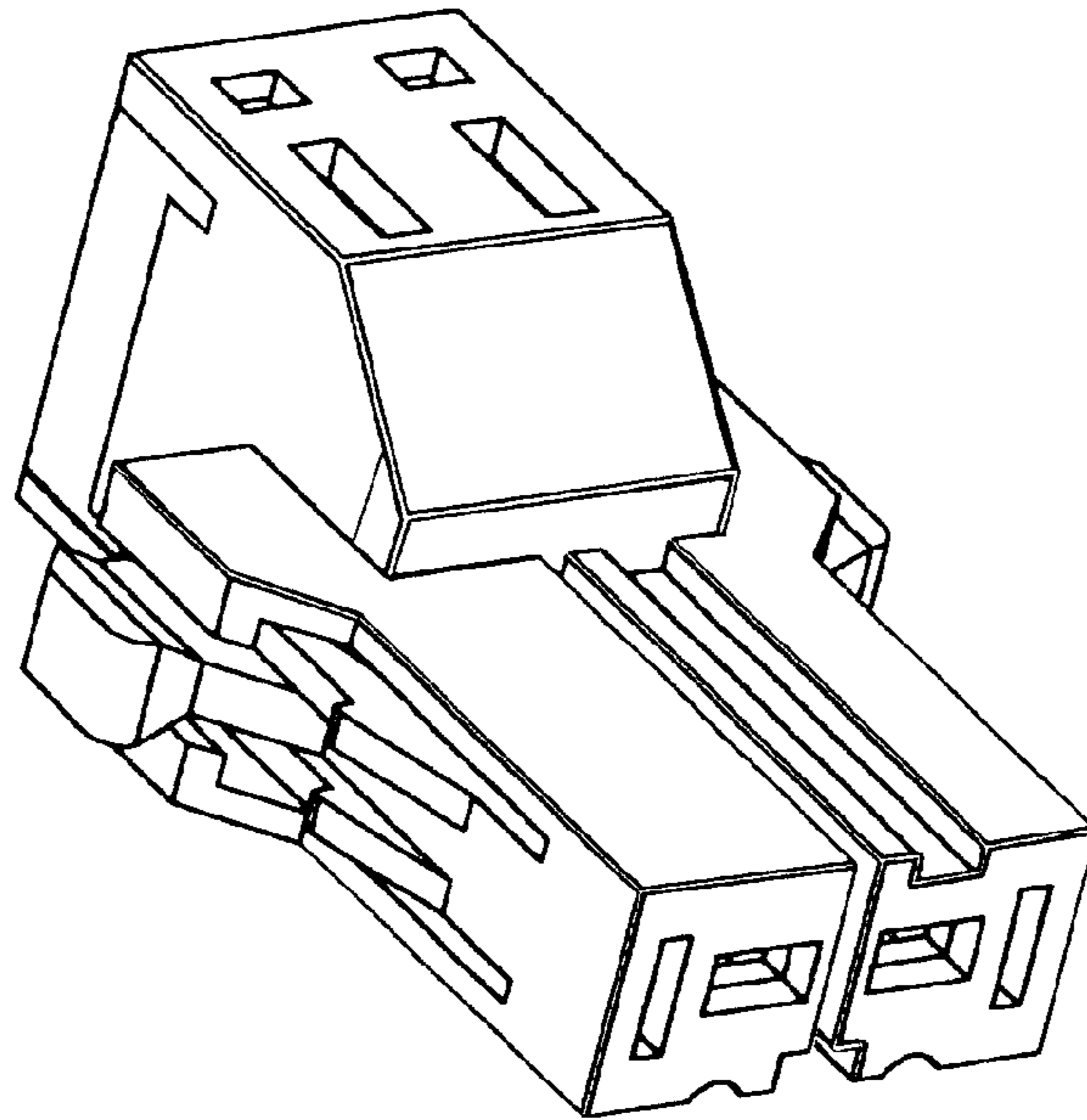


FIG. 11

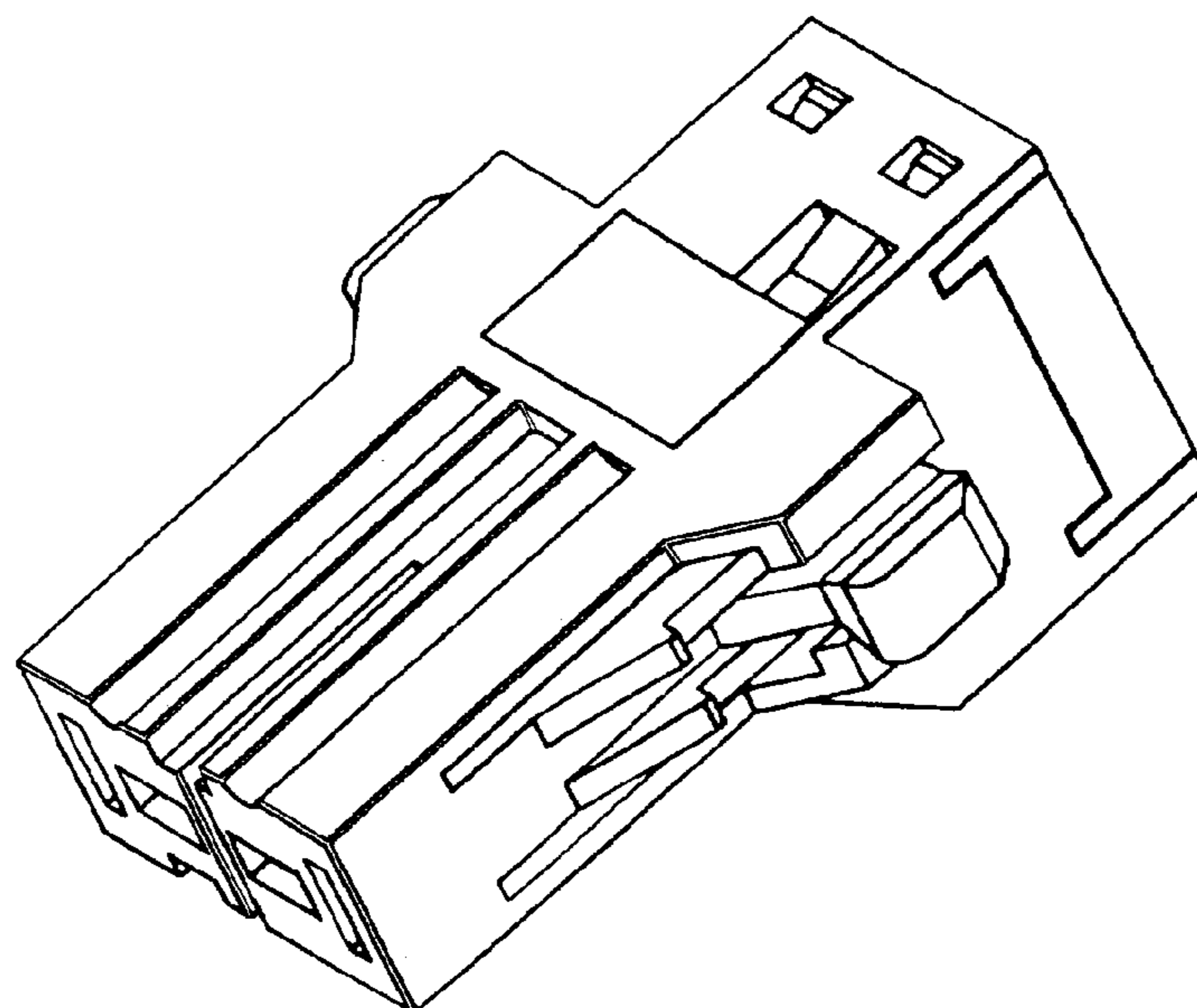


FIG. 12

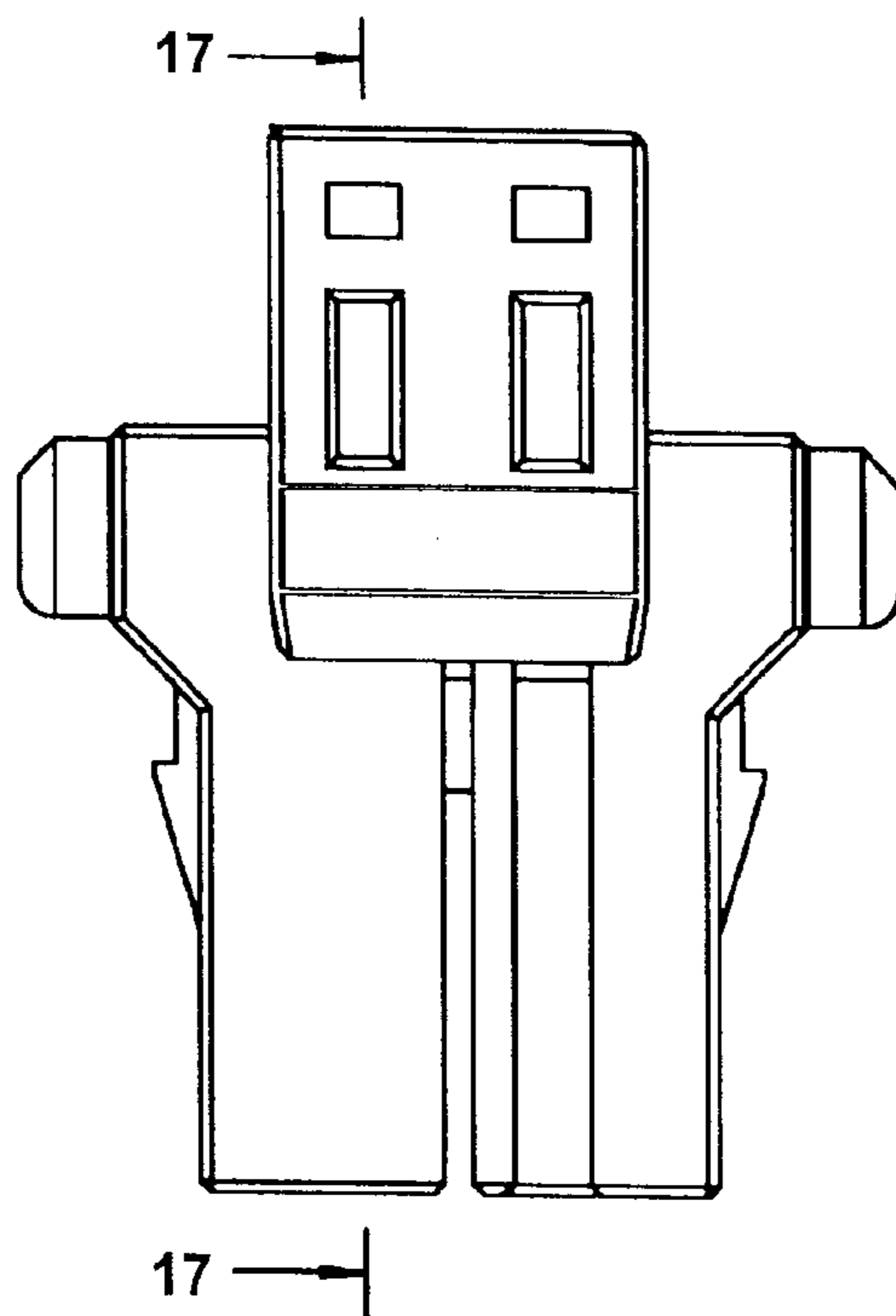


FIG. 13

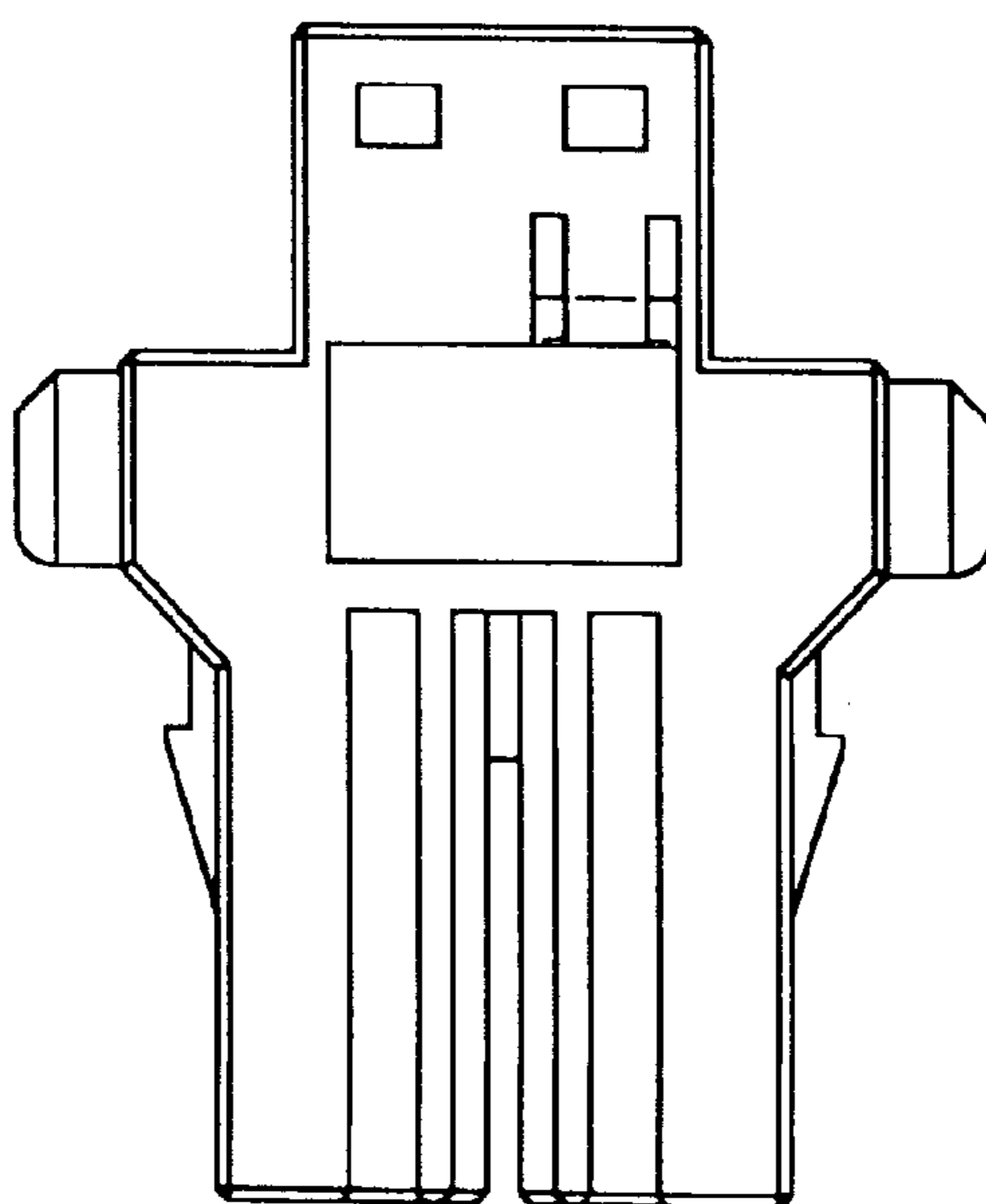


FIG. 14

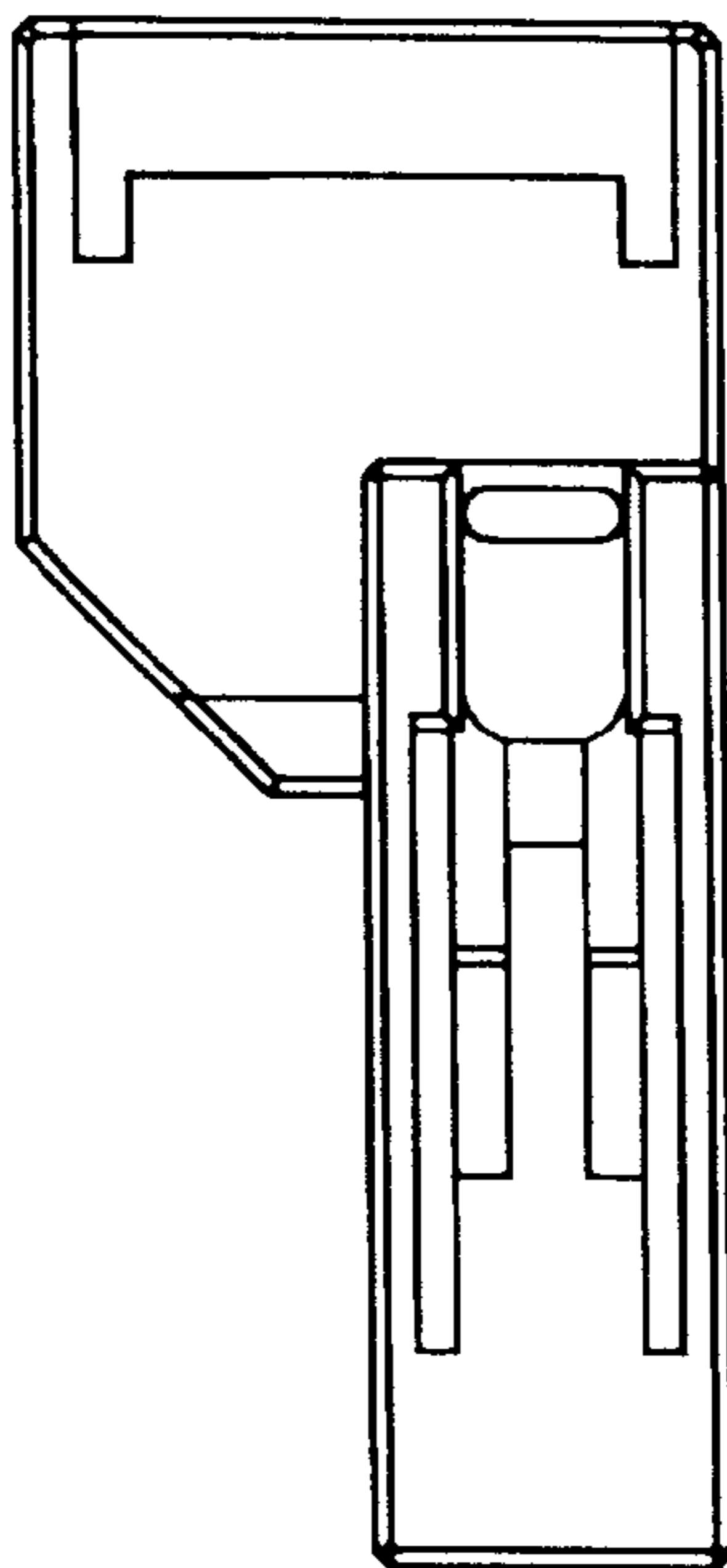


FIG. 15

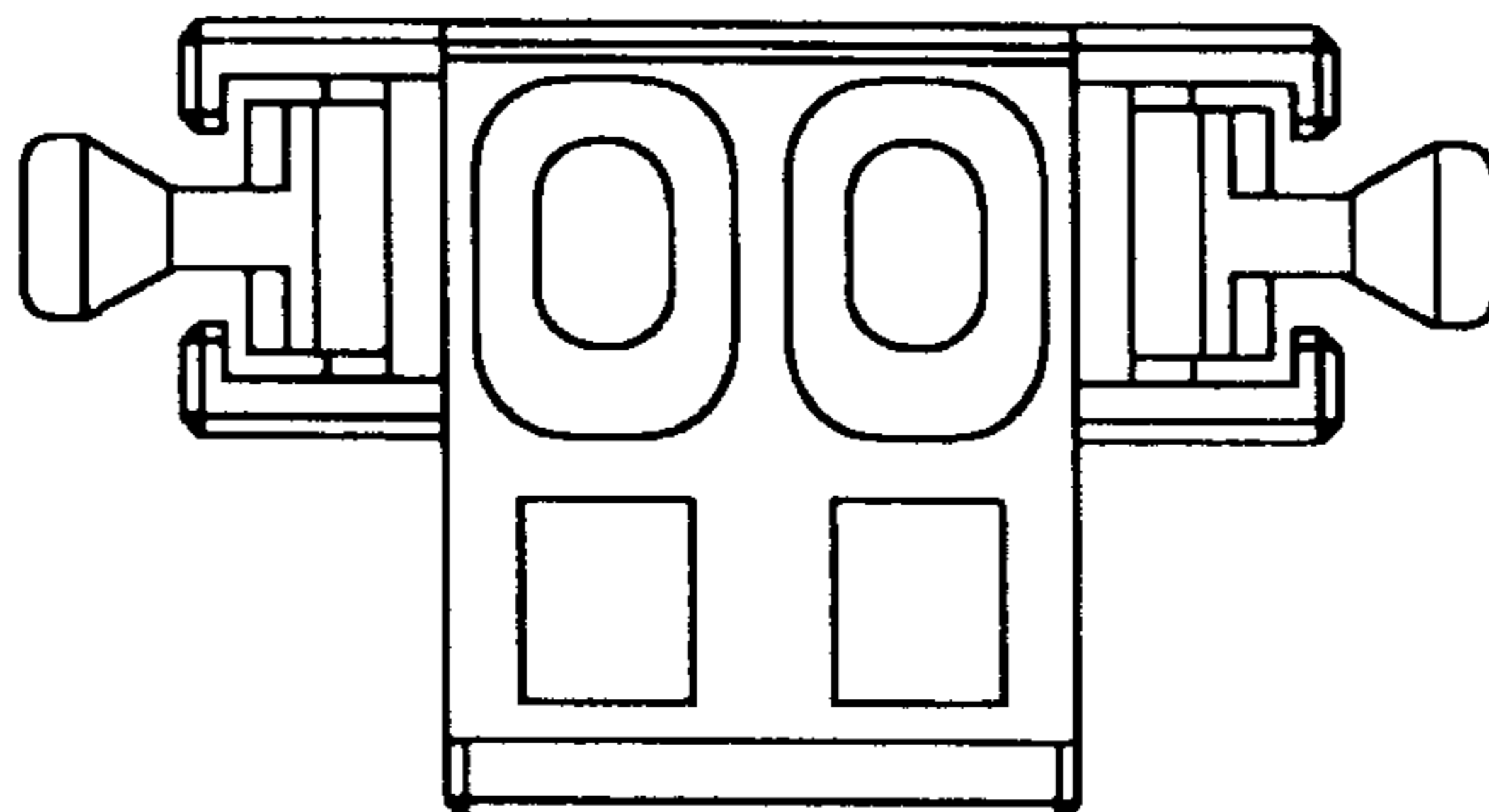


FIG. 16

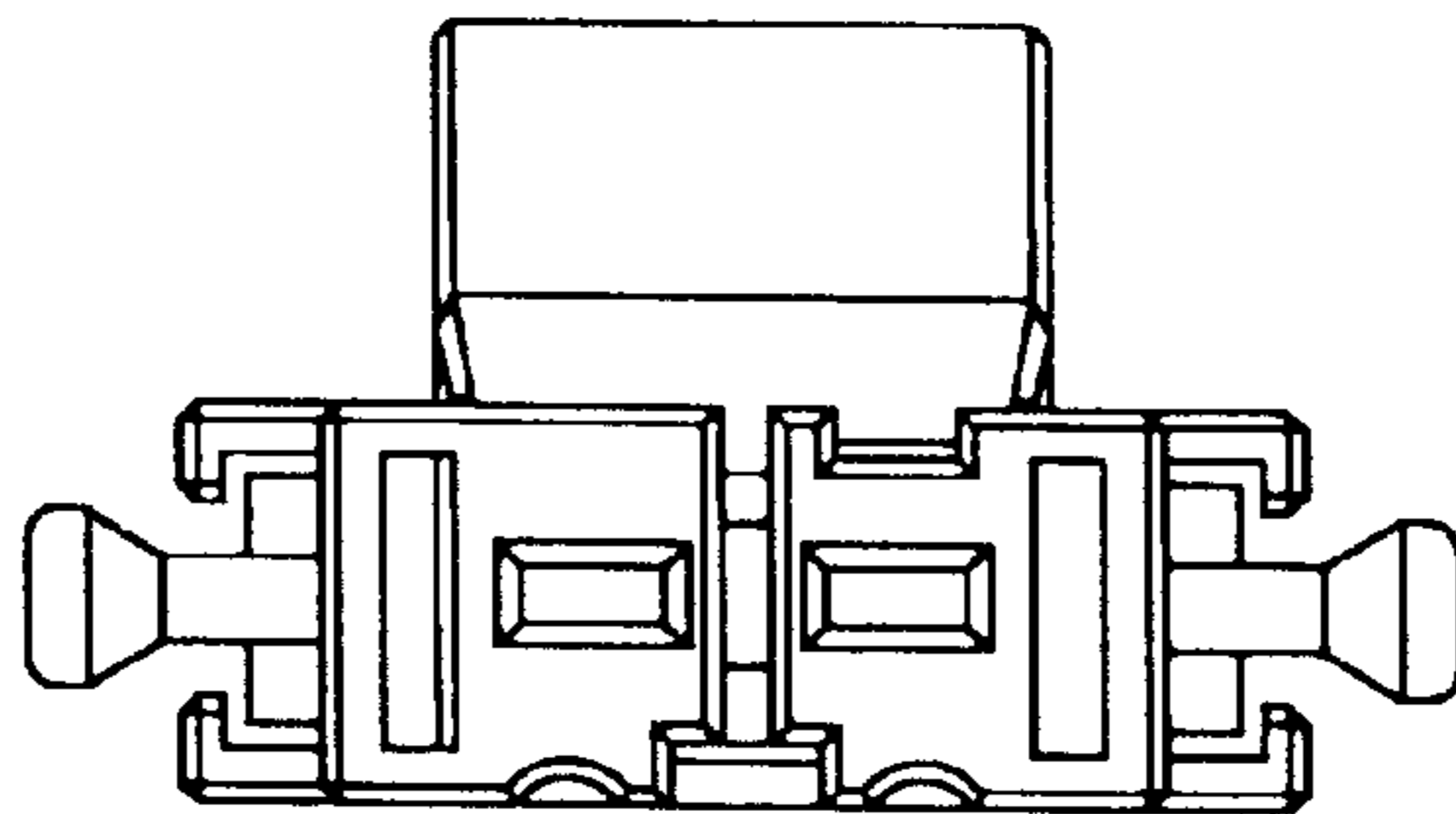


FIG. 17

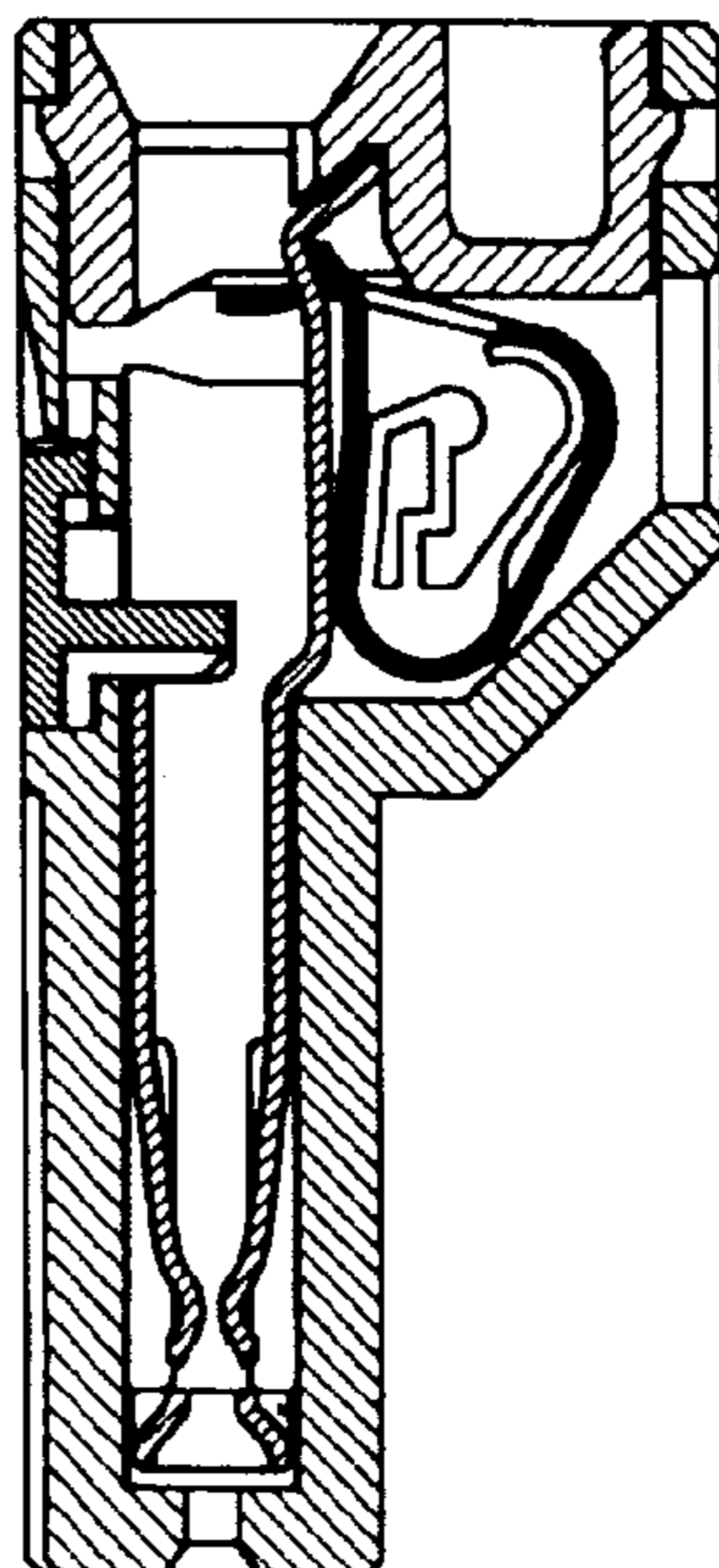


FIG. 18

