



US00D524741S

(12) **United States Design Patent**
Bihrer

(10) **Patent No.:** **US D524,741 S**
(45) **Date of Patent:** **** Jul. 11, 2006**

- (54) **ELECTRICAL CONNECTOR**
- (75) Inventor: **Markus Bihrer**, Althengstett (DE)
- (73) Assignee: **U.I. Lapp GmbH**, Stuttgart (DE)
- (**) Term: **14 Years**
- (21) Appl. No.: **29/232,575**
- (22) Filed: **Jun. 20, 2005**

5,683,255 A	11/1997	Menze	
D406,816 S	3/1999	Hopper et al.	
D412,883 S	8/1999	Nakazawa	
D413,100 S	8/1999	Nakazawa	
D446,771 S	8/2001	Bosatelli	
D491,891 S	* 6/2004	Conway et al. D13/146
D501,649 S	* 2/2005	Yang et al. D13/133
D505,918 S	* 6/2005	Conway et al. D13/147
D506,439 S	* 6/2005	Wang D13/133
2004/0087206 A1	5/2004	Grubbs	

Related U.S. Application Data

- (62) Division of application No. 29/203,565, filed on Apr. 15, 2004, now Pat. No. Des. 509,474.

(30) **Foreign Application Priority Data**

Oct. 16, 2003 (EM) 000088430

- (51) **LOC (8) Cl.** **13-03**
- (52) **U.S. Cl.** **D13/146**
- (58) **Field of Classification Search** D13/123, D13/133, 146-147, 154, 184, 199; 285/9.2, 285/81, 284.1, 286.1, 324, 412; 439/164, 439/259, 262, 310, 338, 344, 378-379, 891
See application file for complete search history.

(56) **References Cited**

U.S. PATENT DOCUMENTS

- 4,152,039 A 5/1979 Shah
- D260,511 S 9/1981 Avramovich

OTHER PUBLICATIONS

Lappusa Online Catalog, Epic Pin & Sleeve Connectors –12 pages printed on Aug. 25, 2005, publication date unknown.

* cited by examiner

Primary Examiner—Prabhakar Deshmukh
Assistant Examiner—Daniel Bui
(74) *Attorney, Agent, or Firm*—Lipsitz & McAllister, LLC

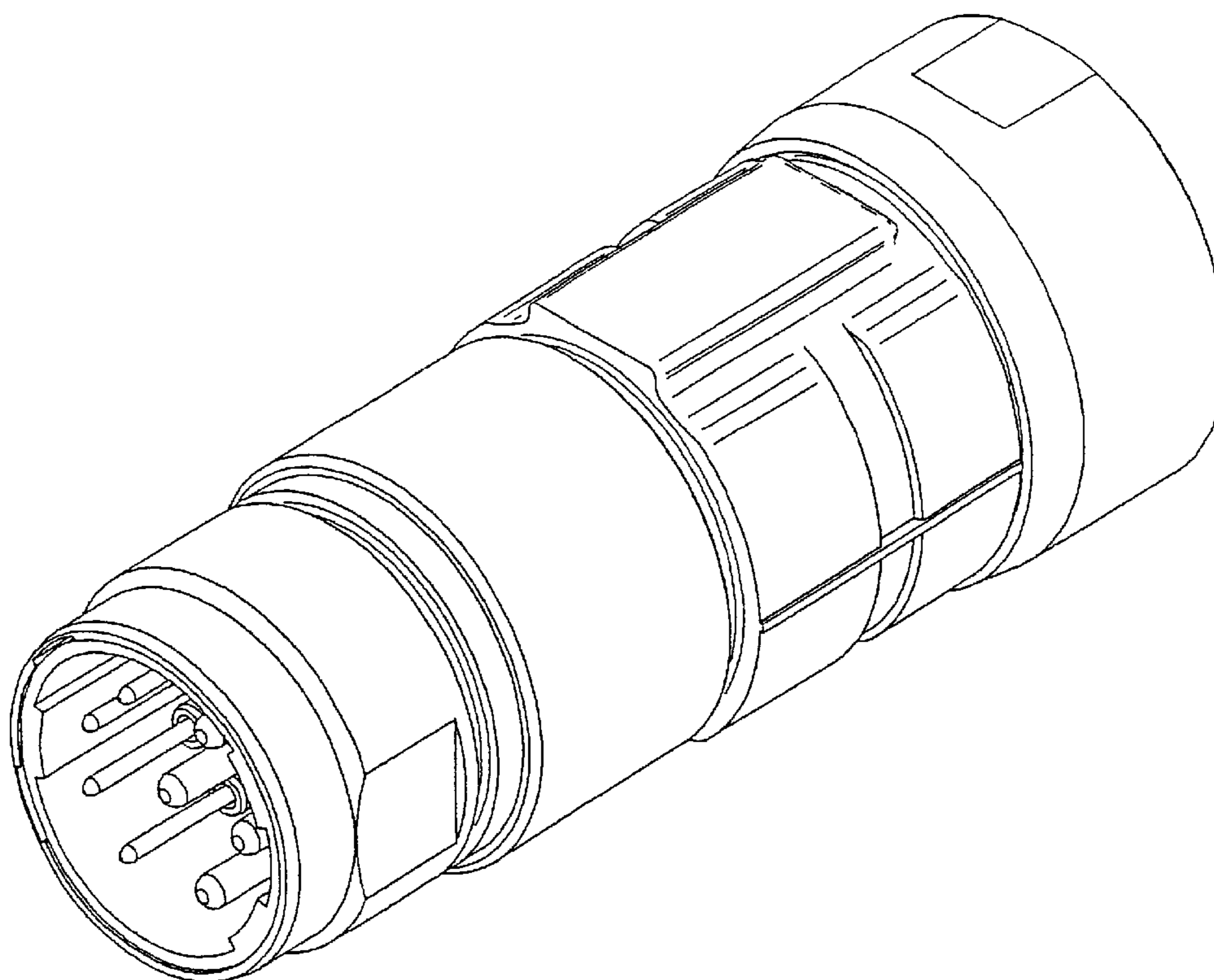
(57) **CLAIM**

The ornamental design for an electrical connector, as shown and described.

DESCRIPTION

FIG. 1 is a front, top and right side perspective view of an electrical connector showing my design; and, FIG. 2 is a front, bottom and left side perspective view of my design.

1 Claim, 2 Drawing Sheets



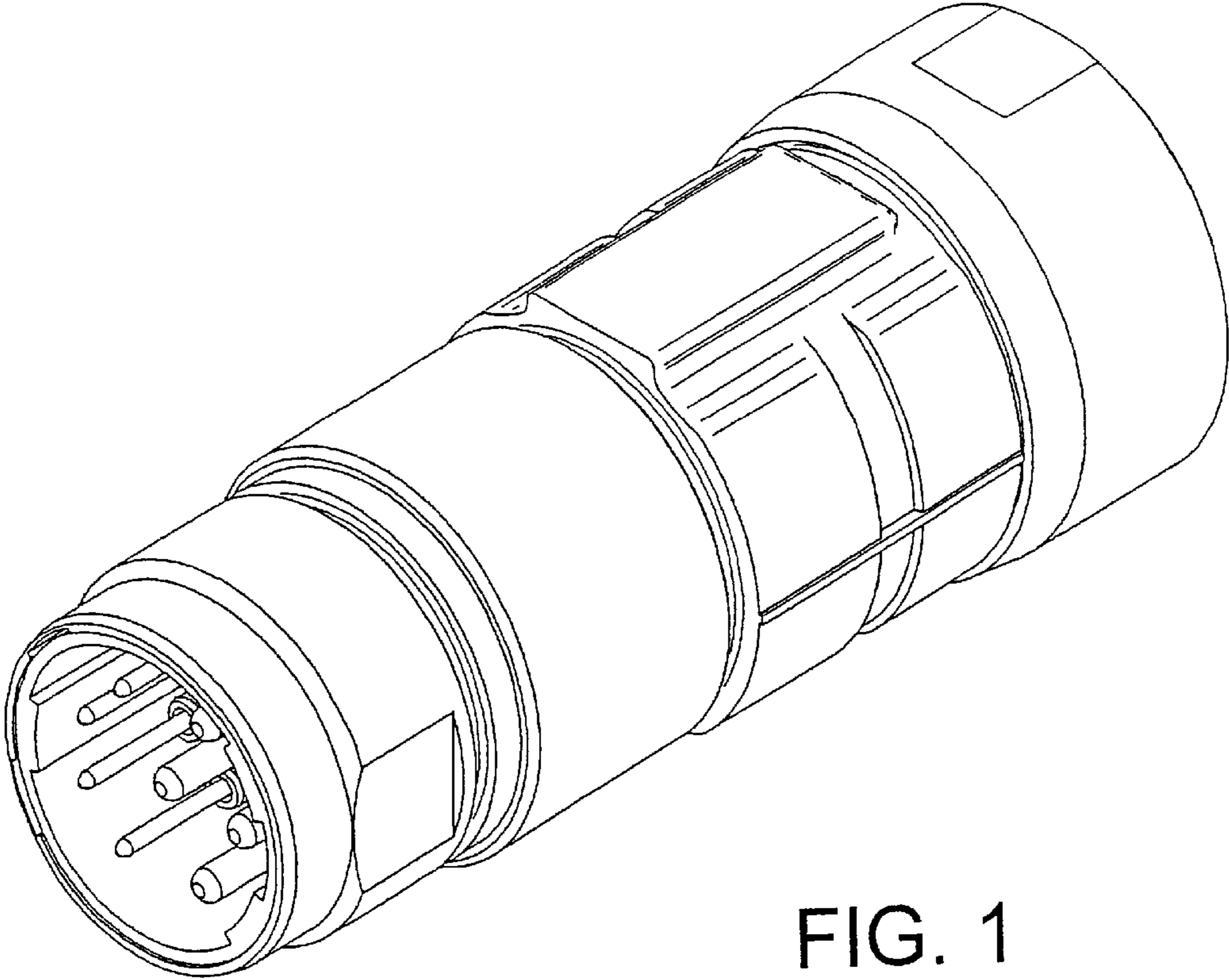


FIG. 1

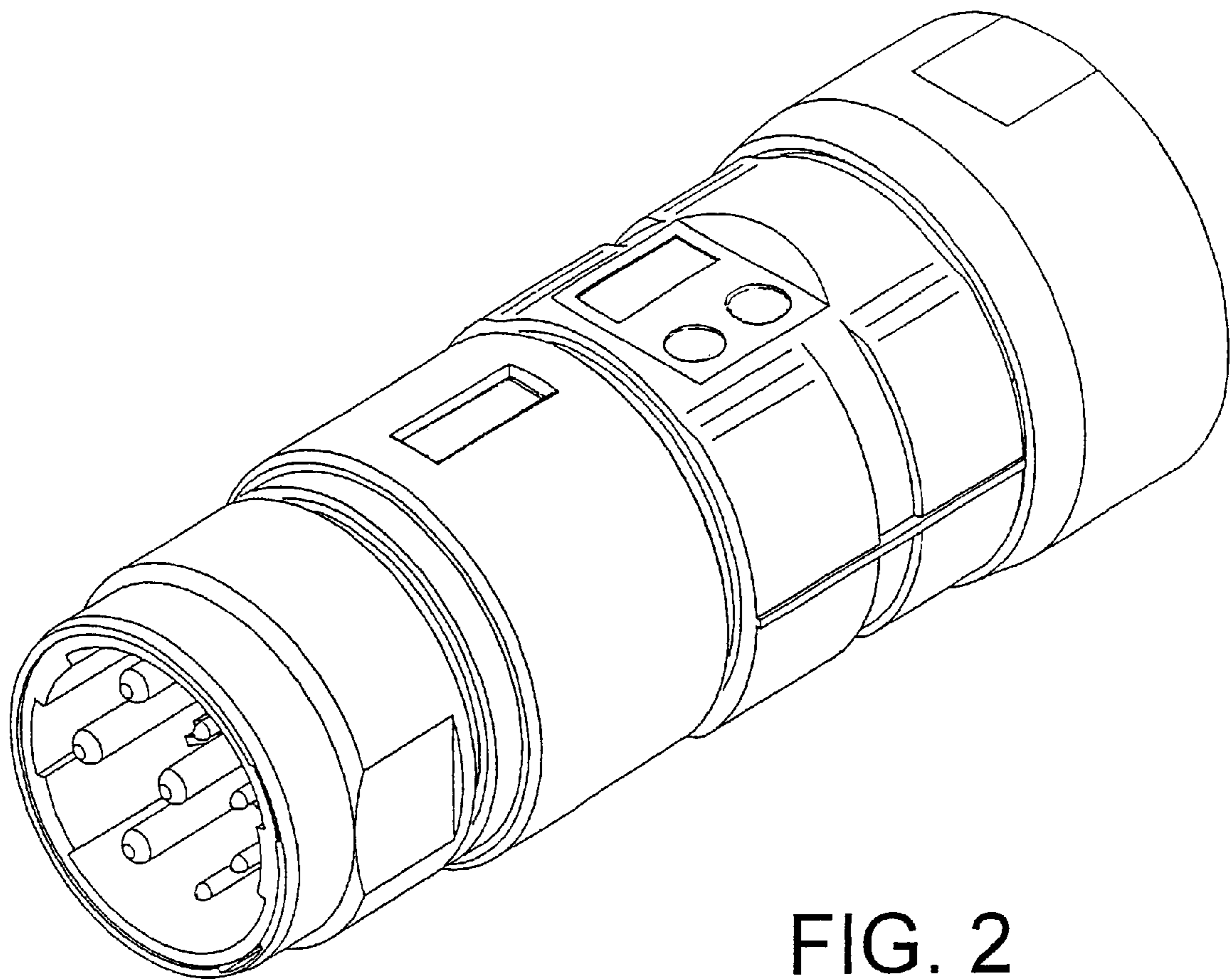


FIG. 2