

US00D524738S

(12) **United States Design Patent**  
**Dobler**

(10) **Patent No.:** **US D524,738 S**  
(45) **Date of Patent:** **\*\* Jul. 11, 2006**

(54) **ELECTRICAL CONNECTOR**

(75) Inventor: **Oliver Dobler**, Tschagguns (AT)

(73) Assignee: **Neutrik Aktiengesellschaft**, Schaan (LI)

(\*\*) Term: **14 Years**

(21) Appl. No.: **29/219,363**

(22) Filed: **Dec. 16, 2004**

(30) **Foreign Application Priority Data**

Jul. 1, 2004 (EM) ..... 000 199 120

(51) **LOC (8) Cl.** ..... **13-03**

(52) **U.S. Cl.** ..... **D13/133**

(58) **Field of Classification Search** ..... D13/133,  
D13/146, 147, 154, 159, 184, 199; 439/578,  
439/583-584, 668-669, 675, 751, 843, 851  
See application file for complete search history.

(56) **References Cited**

**U.S. PATENT DOCUMENTS**

4,630,876 A \* 12/1986 Grunberg et al. .... 439/293  
D399,188 S \* 10/1998 Lin ..... D13/146

D415,469 S \* 10/1999 Lee ..... D13/146  
D434,003 S \* 11/2000 Brisson ..... D13/146  
6,203,349 B1 \* 3/2001 Nakazawa ..... 439/319  
D491,526 S \* 6/2004 D'Addario et al. .... D13/146  
D501,826 S \* 2/2005 Bachmann ..... D13/149

\* cited by examiner

*Primary Examiner*—Stella Reid

*Assistant Examiner*—Daniel Bui

(74) *Attorney, Agent, or Firm*—Neil L. Slifkin

(57) **CLAIM**

The ornamental design of an electrical connector, as shown and described.

**DESCRIPTION**

FIG. 1 is a left side elevation view of an electrical connector showing my design;

FIG. 2 is a top plan view thereof;

FIG. 3 is a right side elevation view thereof;

FIG. 4 is a bottom plan view thereof;

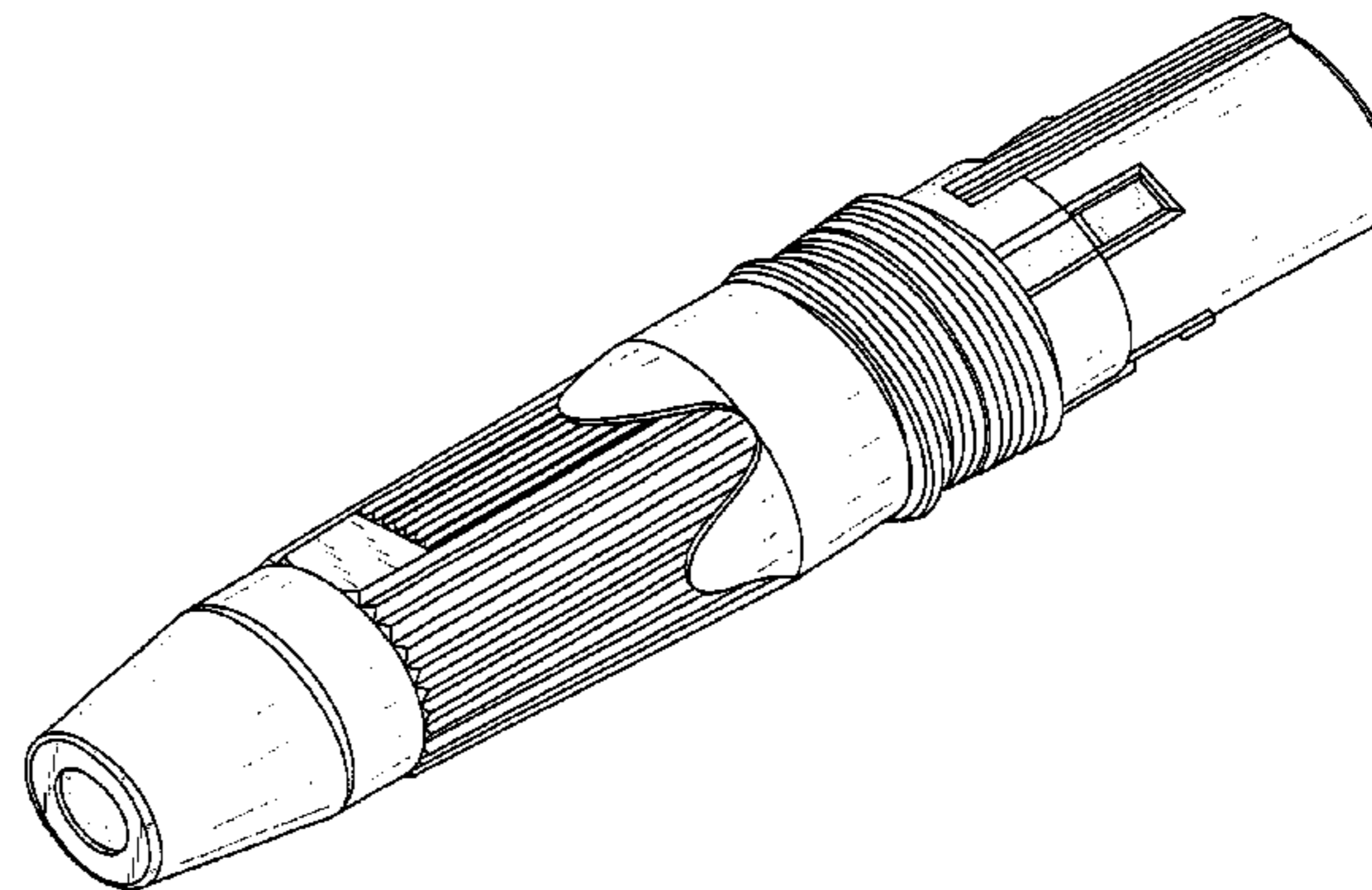
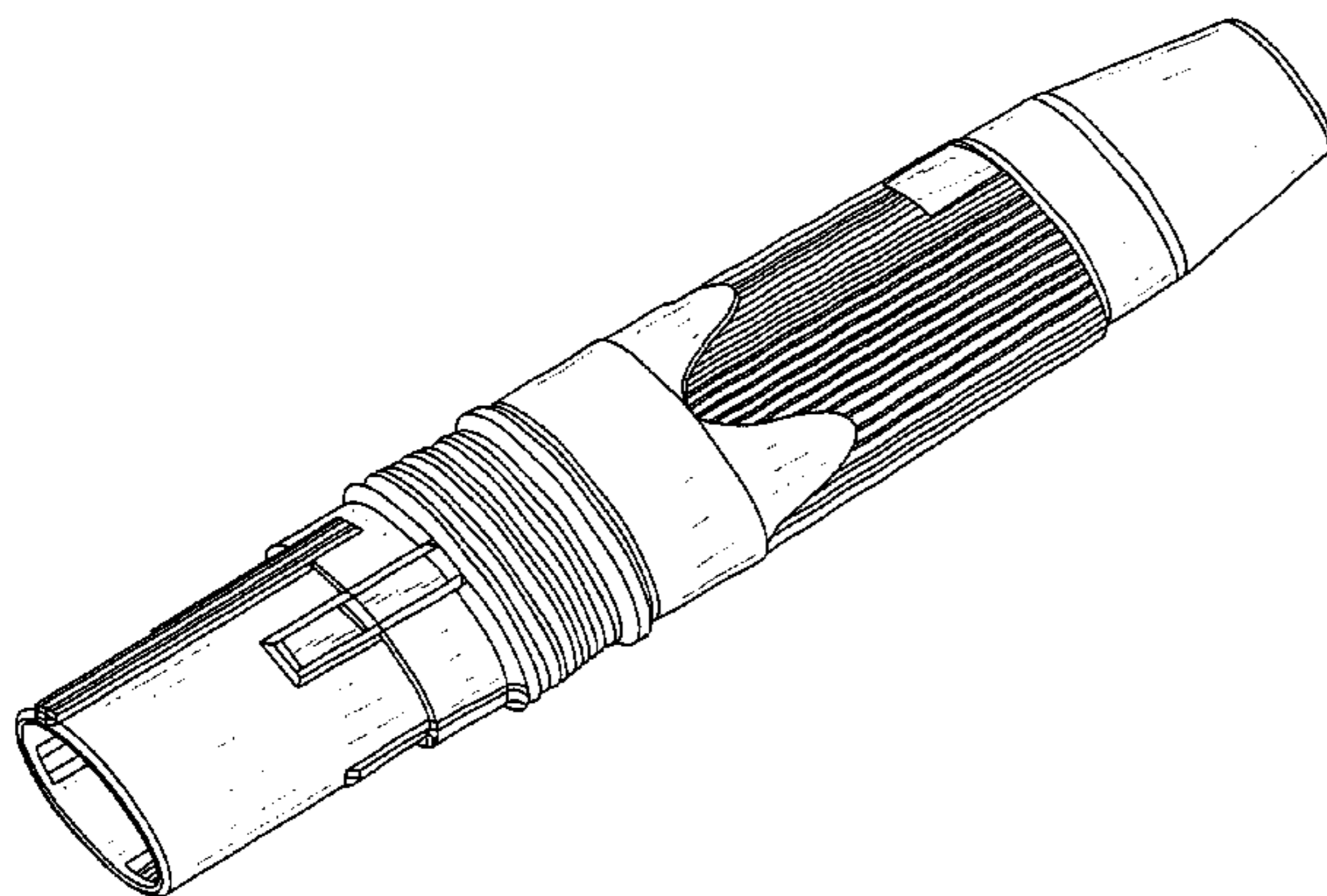
FIG. 5 is a front elevation view thereof;

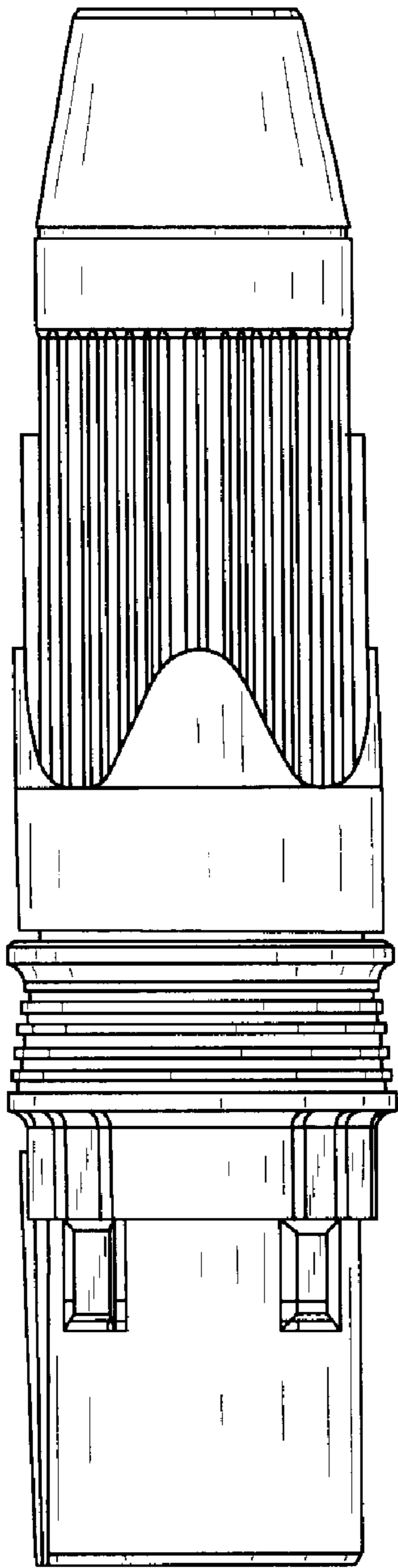
FIG. 6 is a rear elevation view thereof;

FIG. 7 is a perspective view thereof; and,

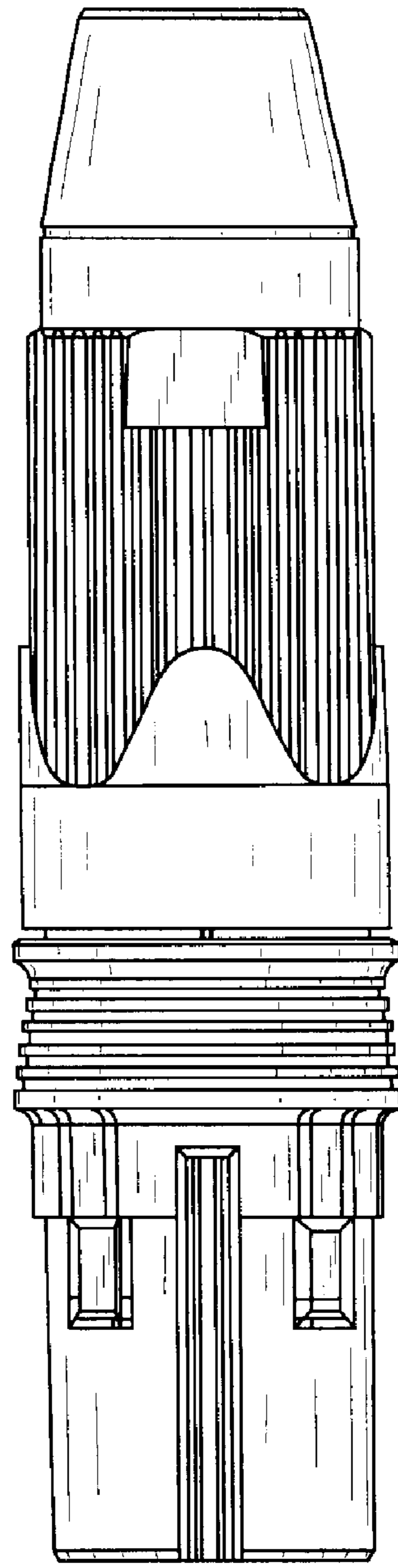
FIG. 8 is a second perspective view thereof.

**1 Claim, 5 Drawing Sheets**

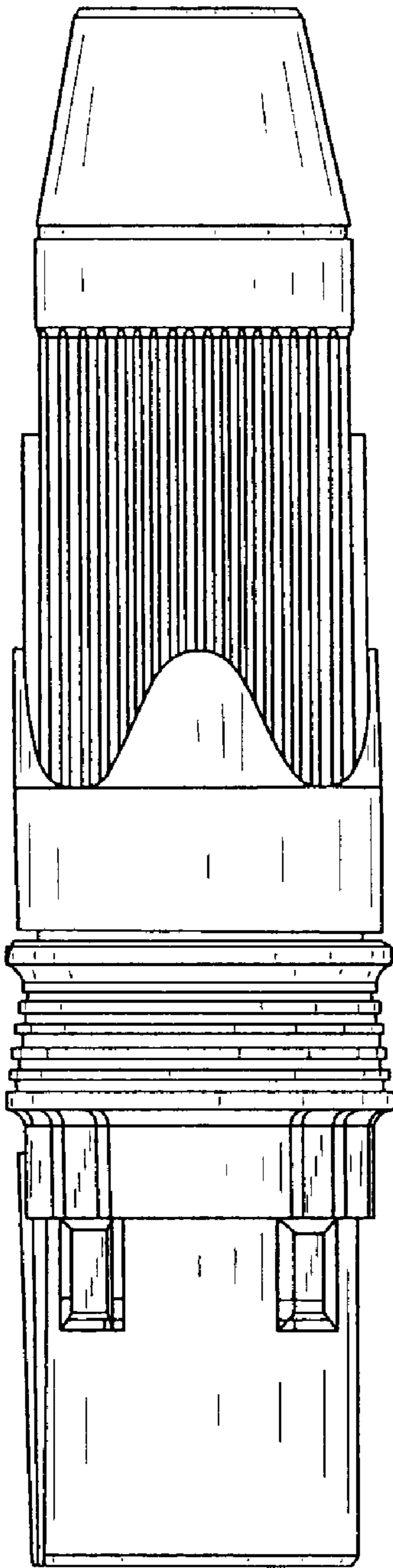




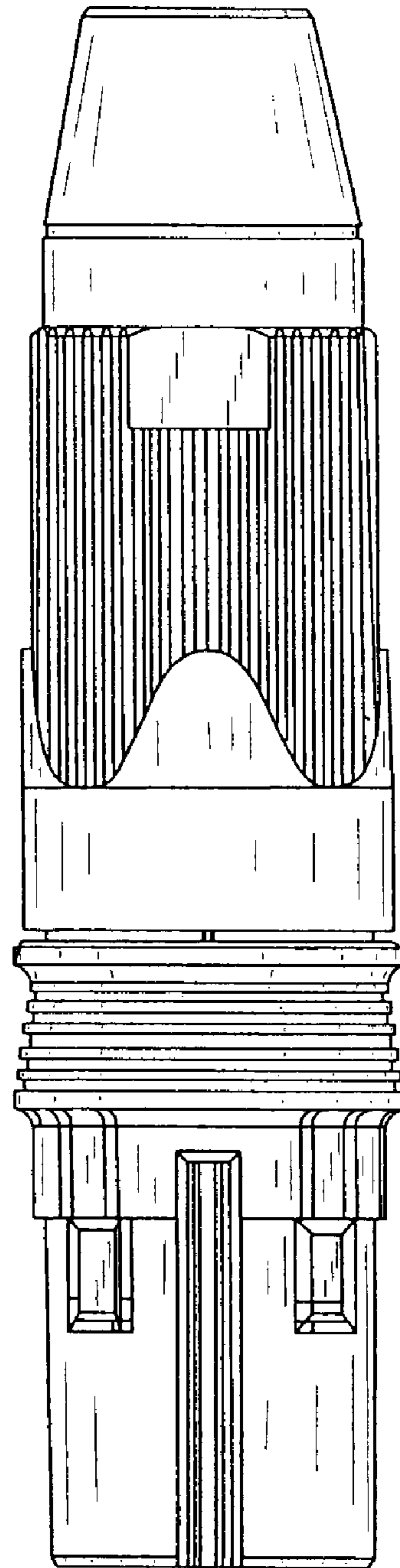
*FIG. 1*



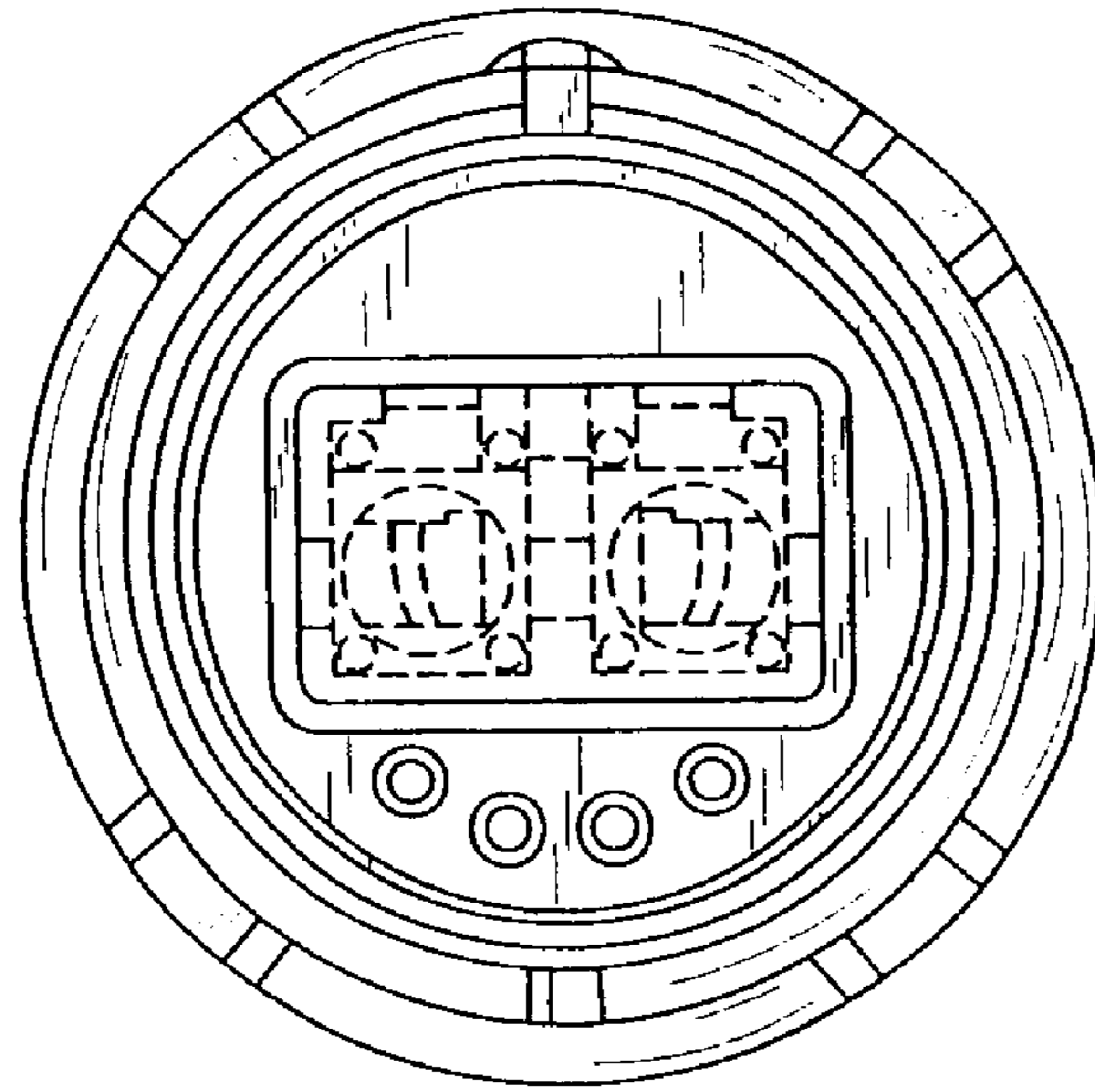
*FIG. 2*



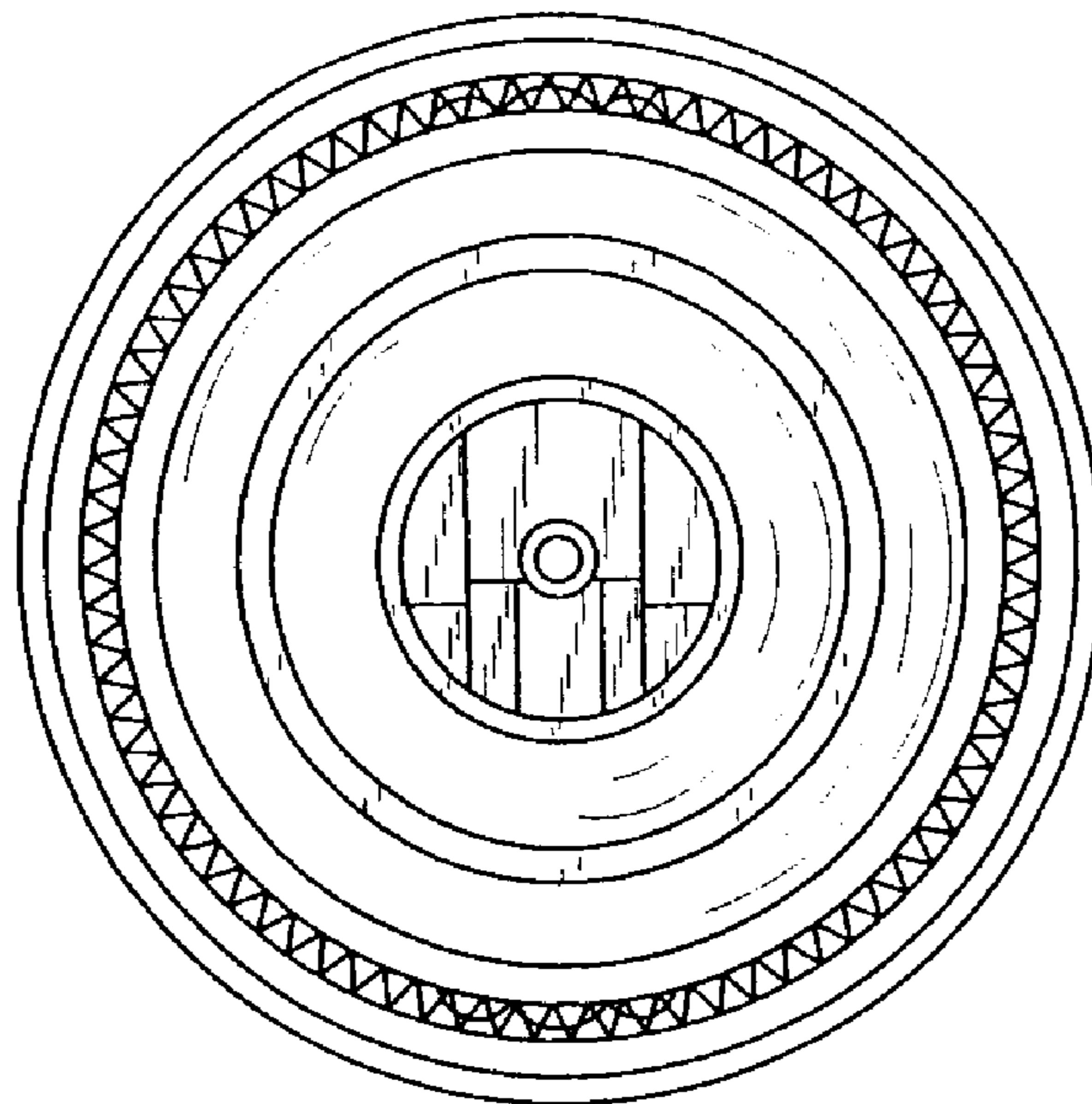
*FIG. 3*



*FIG. 4*



*FIG. 5*



*FIG. 6*



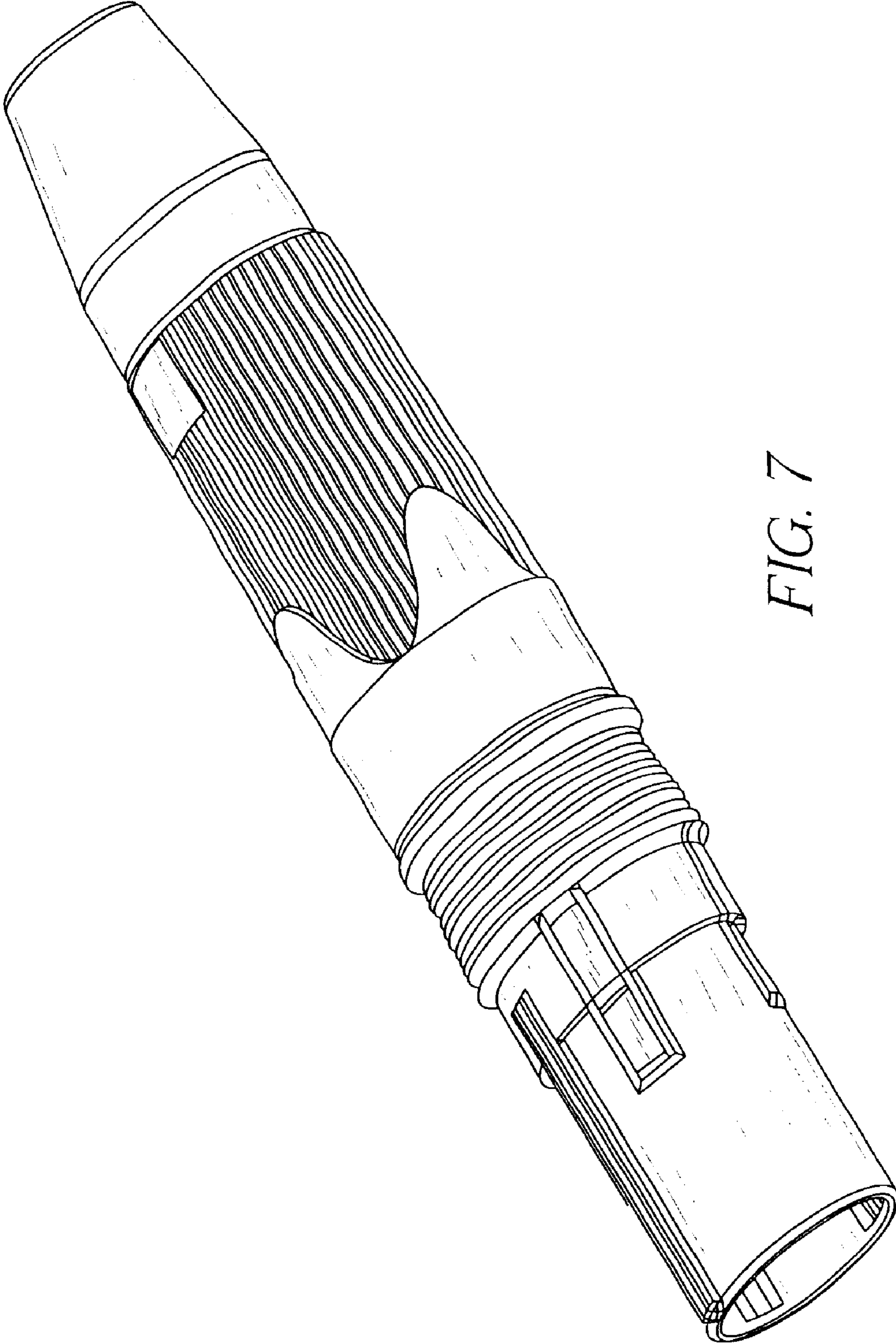


FIG. 7

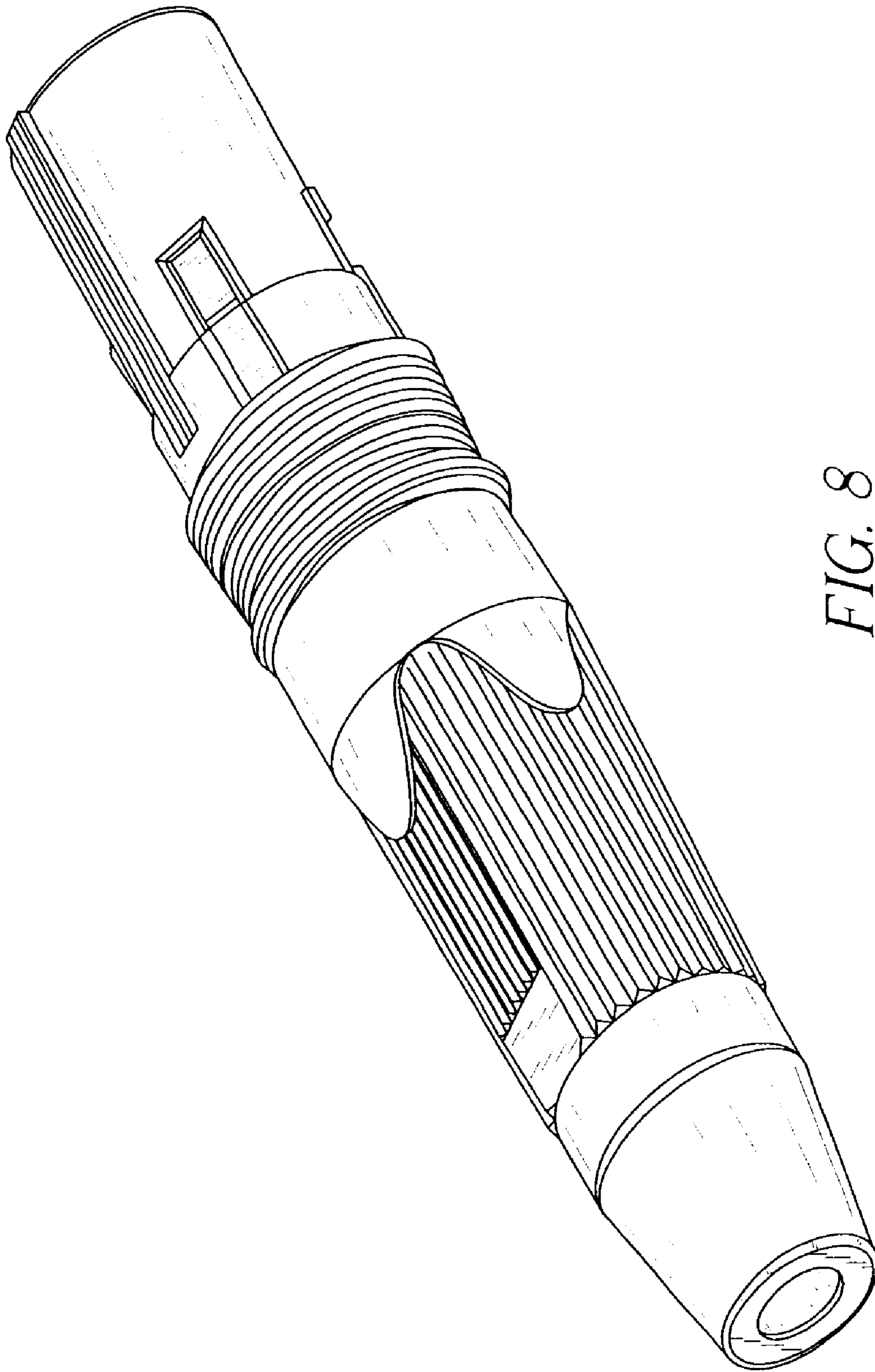


FIG. 8