

US00D524737S

(12) **United States Design Patent**
Lai et al.

(10) **Patent No.:** **US D524,737 S**
(45) **Date of Patent:** **** Jul. 11, 2006**

(54) **ELECTRICAL CONNECTOR**

(75) Inventors: **Ming Chun Lai**, Tucheng (TW);
Chia-Sheng Su, Tucheng (TW)

(73) Assignee: **Cheng Uei Precision Industry Co., Ltd.**, Taipei (TW)

(**) Term: **14 Years**

(21) Appl. No.: **29/211,630**

(22) Filed: **Aug. 19, 2004**

(51) **LOC (8) Cl.** **13-03**

(52) **U.S. Cl.** **D13/133; D13/146; D13/147**

(58) **Field of Classification Search** **D13/133,**
D13/146-147, 154, 199; 439/326, 330, 331,
439/630

See application file for complete search history.

(56) **References Cited**

U.S. PATENT DOCUMENTS

D264,206 S * 5/1982 Heritage D13/133
4,934,959 A * 6/1990 Zielinski et al. 439/595
D423,457 S * 4/2000 Konno et al. D13/147

D481,996 S * 11/2003 Kihira et al. D13/133
D482,657 S * 11/2003 Lai D13/146
D491,535 S * 6/2004 Chien D13/154
2005/0124218 A1 * 6/2005 Chen et al. 439/607

* cited by examiner

Primary Examiner—Stella Reid

Assistant Examiner—Daniel Bui

(74) *Attorney, Agent, or Firm*—Rosenberg, Klein & Lee

(57) **CLAIM**

The ornamental design for an electrical connector, as shown and described.

DESCRIPTION

FIG. 1 is a perspective view of an electrical connector showing our new design;

FIG. 2 is a front elevational view thereof;

FIG. 3 is a rear elevational view thereof;

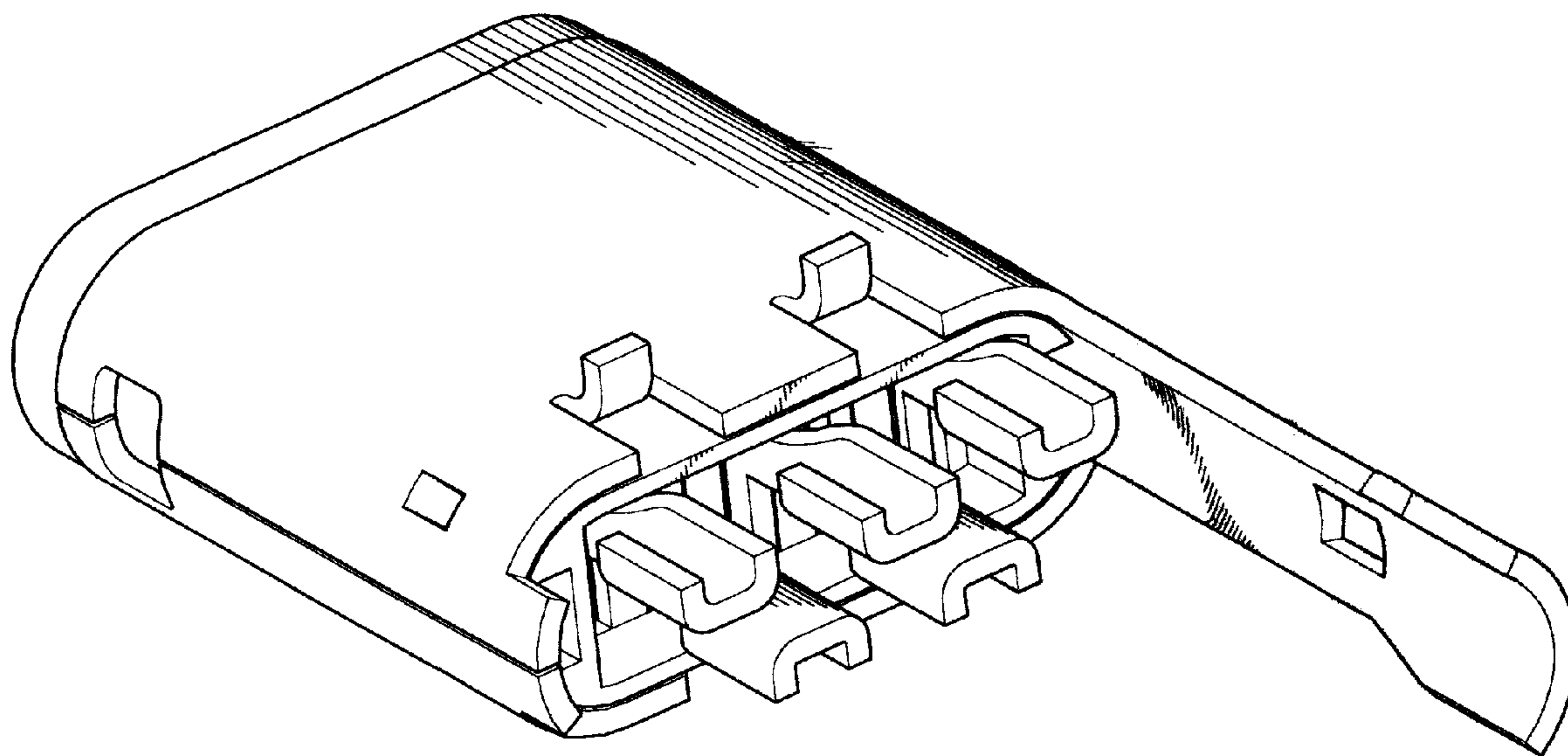
FIG. 4 is a left side elevational view thereof;

FIG. 5 is a right side elevational view thereof;

FIG. 6 is a top plan view thereof; and,

FIG. 7 is a bottom plan view thereof.

1 Claim, 6 Drawing Sheets



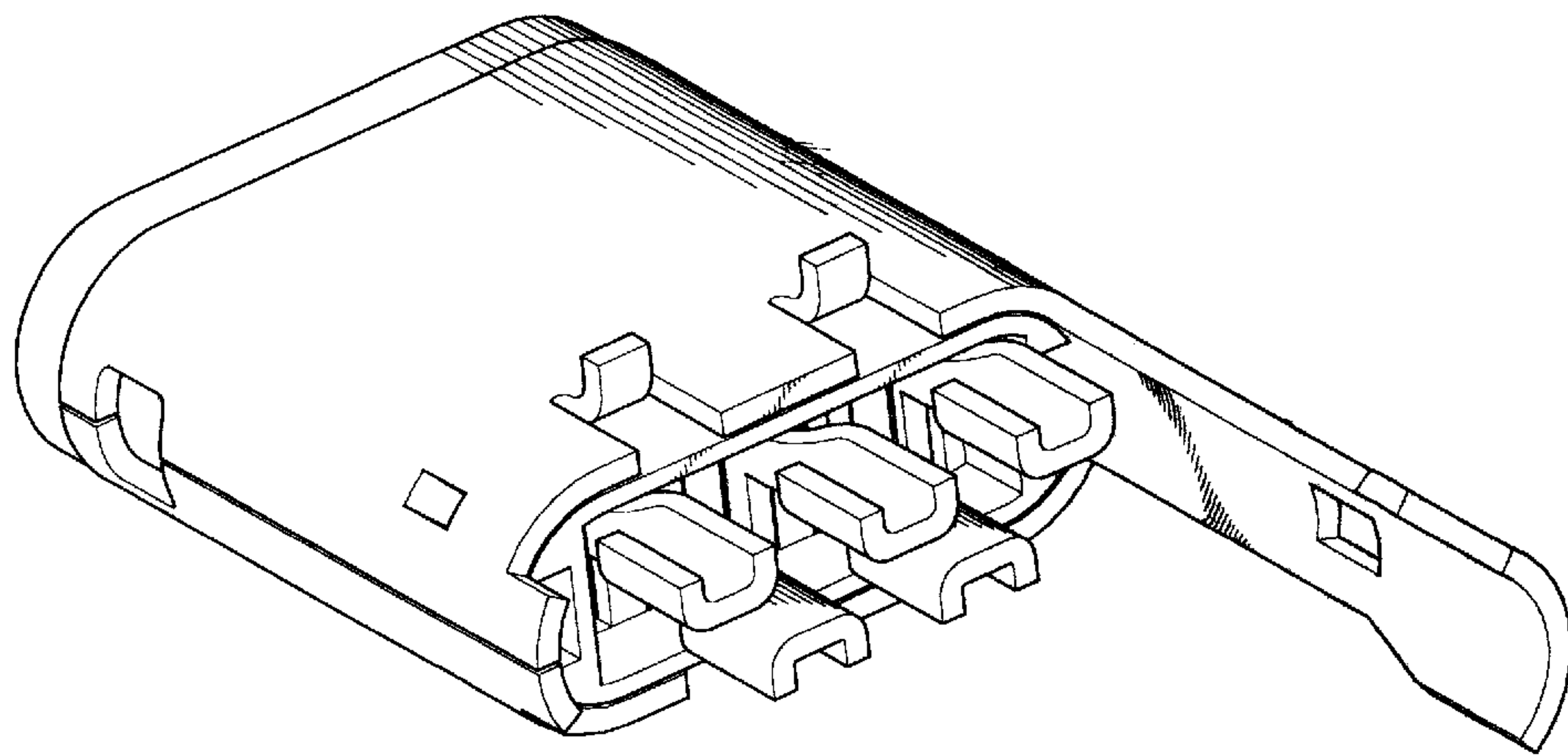


FIG. 1

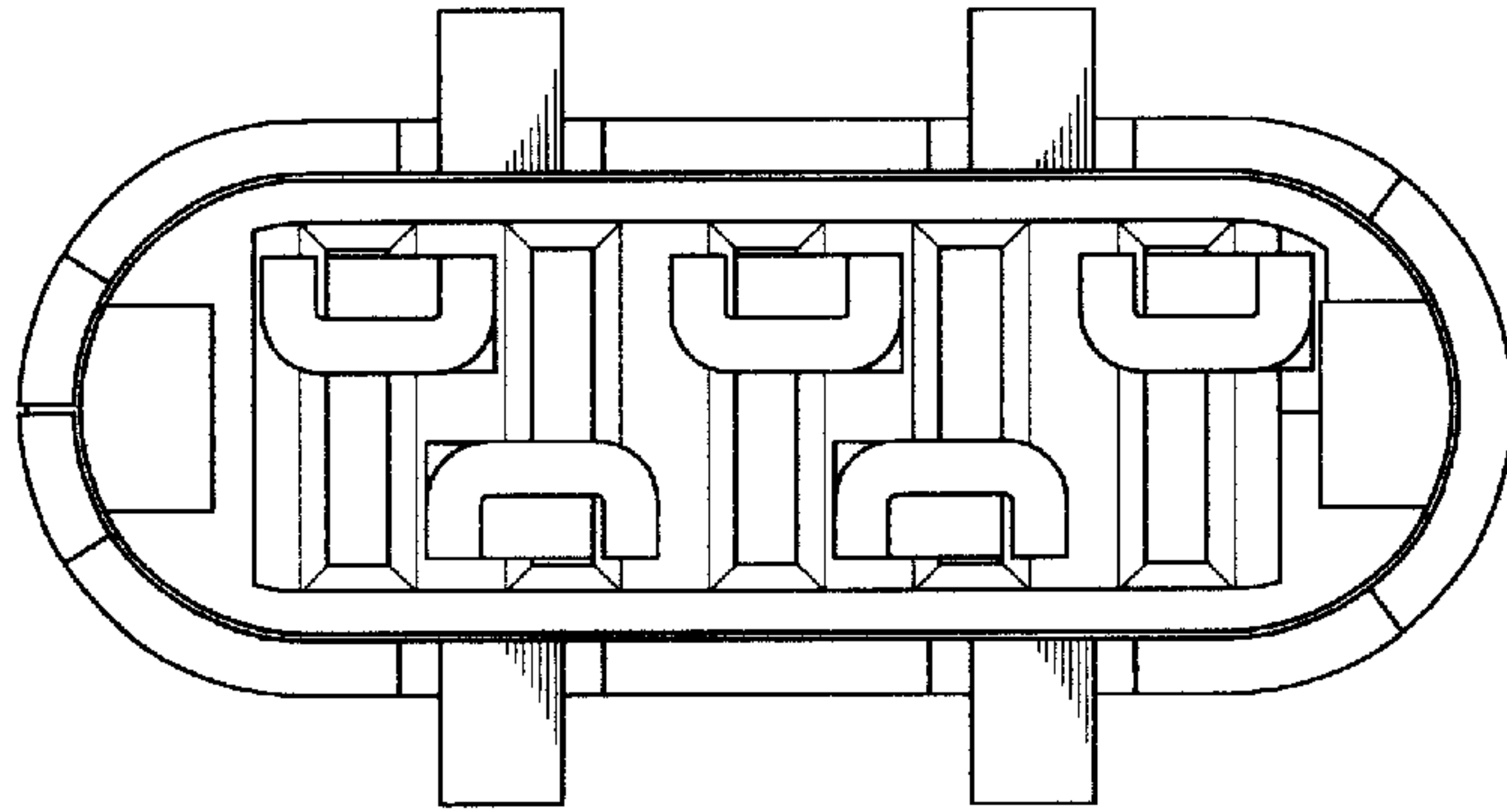


FIG. 2

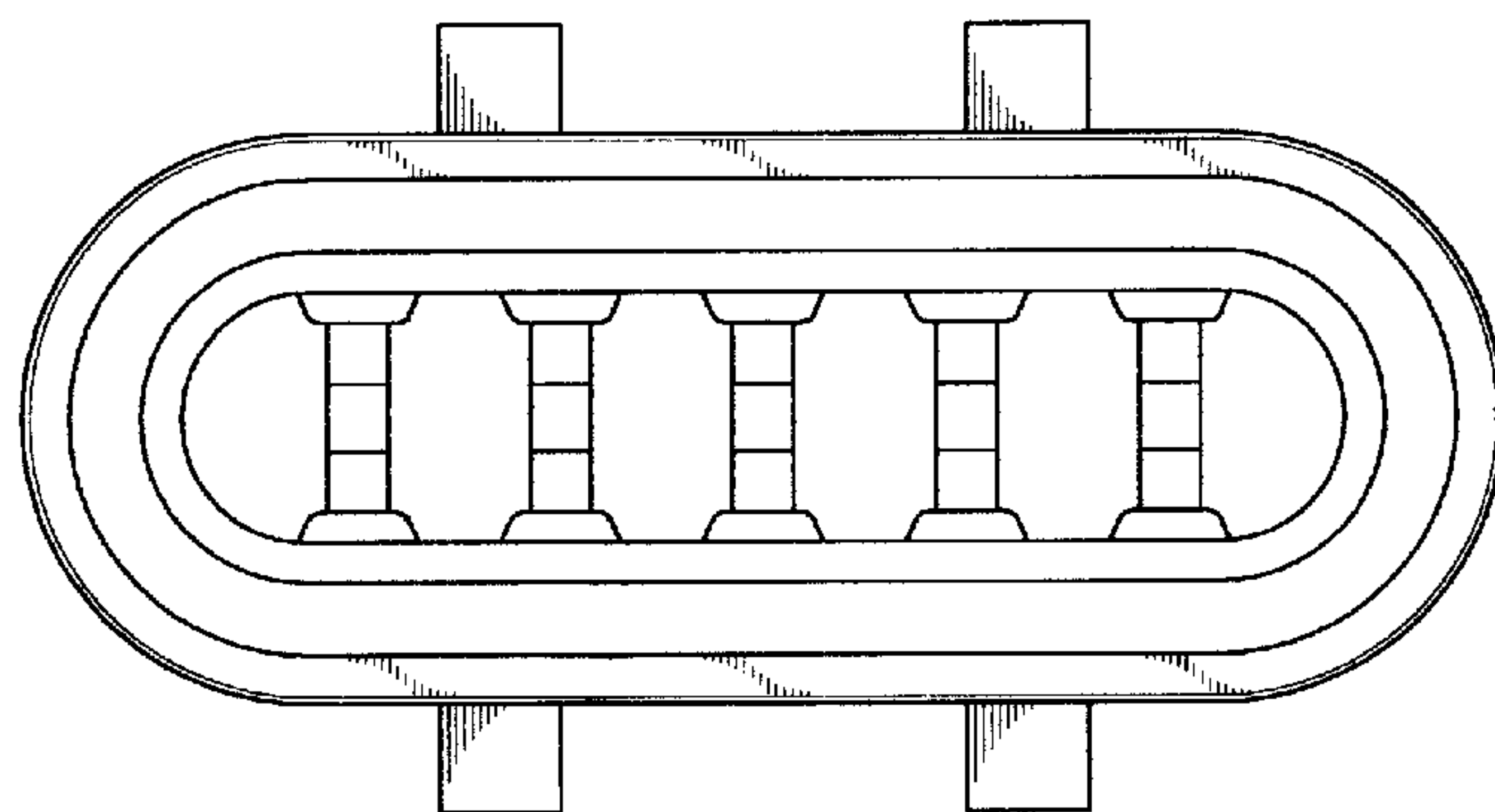


FIG. 3

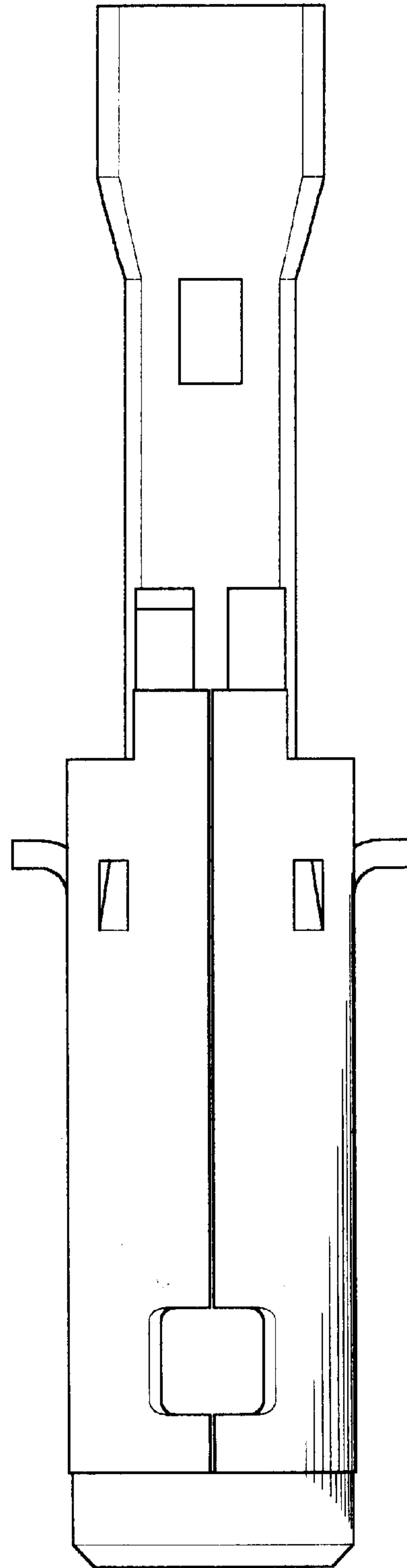


FIG. 4

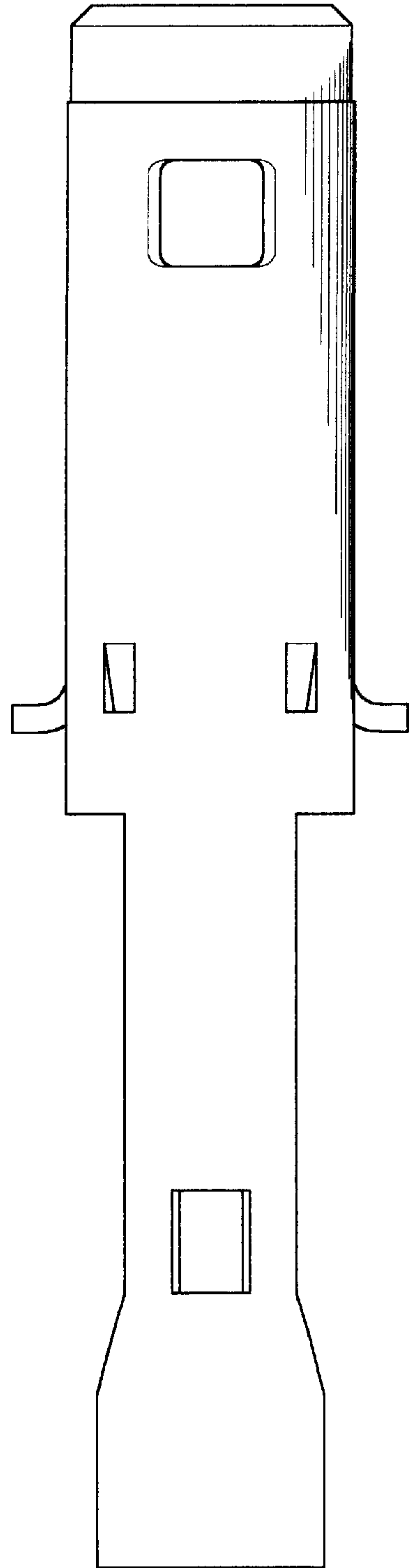


FIG. 5

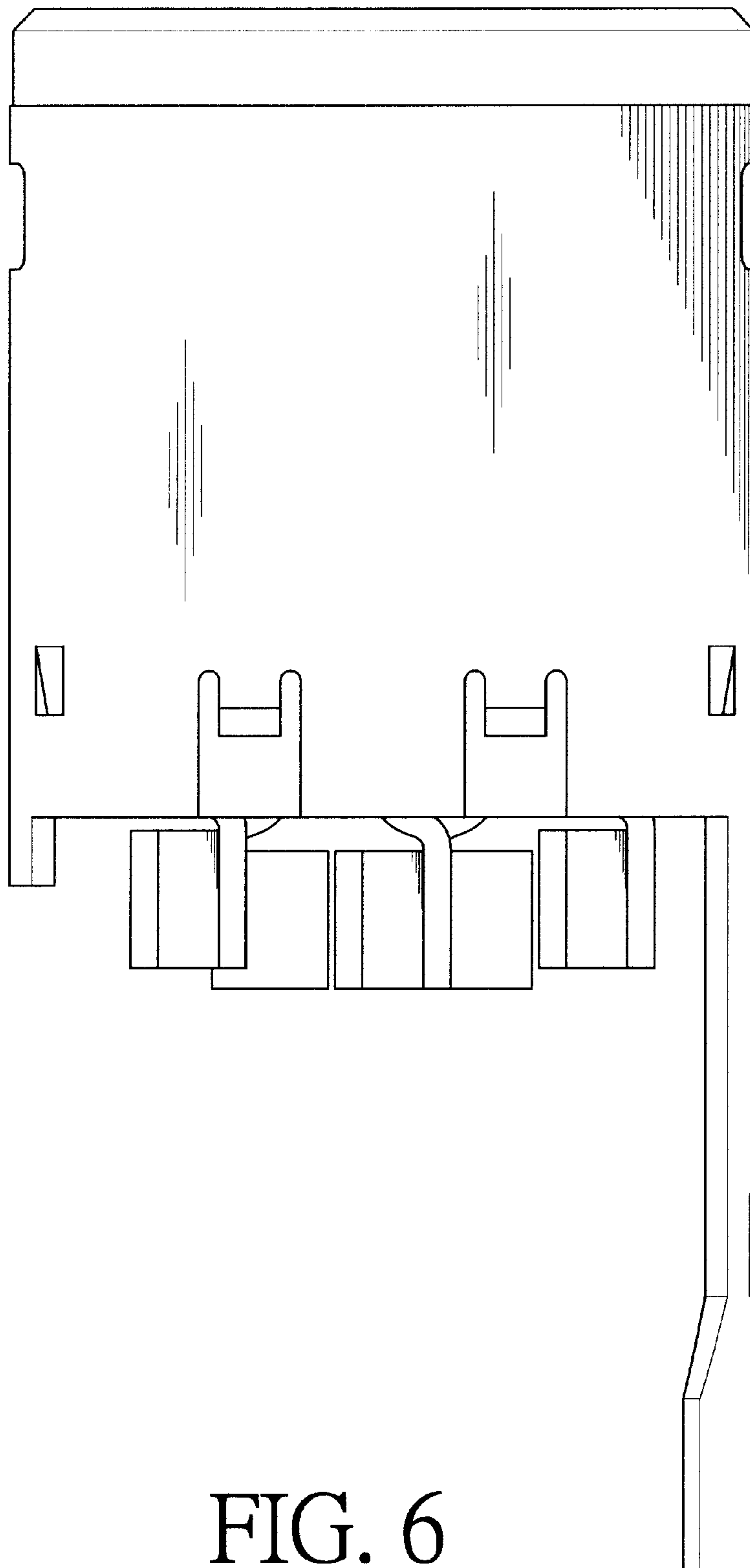


FIG. 6

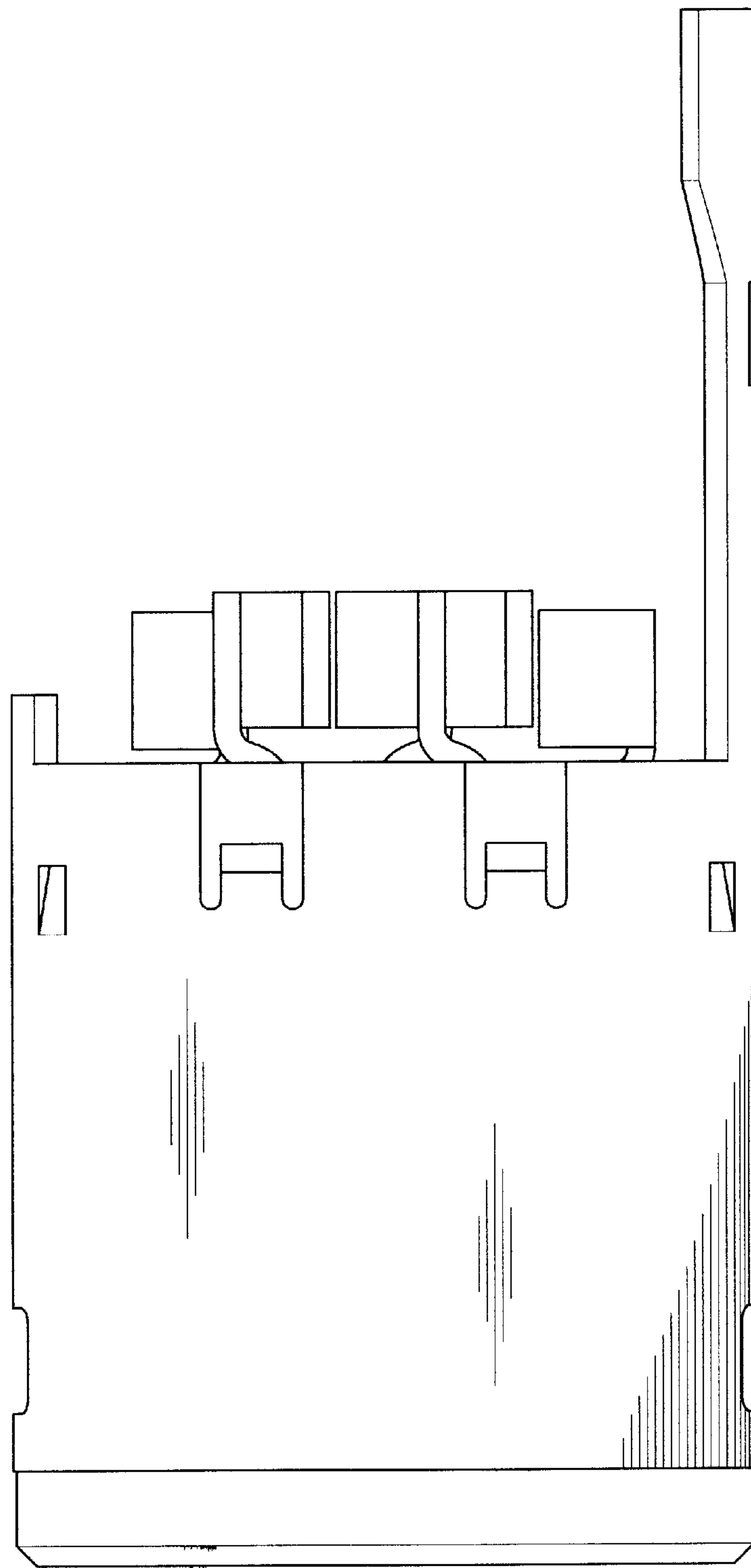


FIG. 7