



US00D524735S

(12) **United States Design Patent**
Hung et al.

(10) **Patent No.:** **US D524,735 S**
(45) **Date of Patent:** **** Jul. 11, 2006**

(54) **2×5 BI-DIRECTION OPTICAL
TRANSCEIVER**

(75) Inventors: **Tuan-Yu Hung**, Hsinchu (TW);
Chang-You Li, Chiayi (TW); **Jung-Te
Ting**, Yunlin (TW); **Ling-Ying Chiang**,
Hsinchu (TW); **Wen-Chih Hsieh**,
Hsinchu (TW); **Ing-Jer Ho**, Hsinchu
(TW)

(73) Assignee: **APAC Opto Electronics Inc.**, Hsinchu
(TW)

(**) Term: **14 Years**

(21) Appl. No.: **29/193,647**

(22) Filed: **Nov. 11, 2003**

(51) **LOC (8) Cl.** **13-03**

(52) **U.S. Cl.** **D13/123; D13/133**

(58) **Field of Classification Search** D13/123,
D13/133, 146, 147, 184, 199; 361/728, 754,
361/759; 385/88, 89, 92, 385

See application file for complete search history.

(56) **References Cited**

U.S. PATENT DOCUMENTS

D365,326 S * 12/1995 Starec et al. D13/146

6,149,465 A * 11/2000 Berg et al. 439/630
6,434,015 B1 * 8/2002 Hwang 361/754
D467,544 S * 12/2002 Hwang D13/123
D475,970 S * 6/2003 Li et al. D13/133
D478,868 S * 8/2003 Zaremba D13/123
D481,676 S * 11/2003 Huang D13/123
D485,237 S * 1/2004 Hwang et al. D13/123
D485,238 S * 1/2004 Hwang et al. D13/123
D494,930 S * 8/2004 Ishigami et al. D13/123

* cited by examiner

Primary Examiner—Stella Reid

Assistant Examiner—Daniel Bui

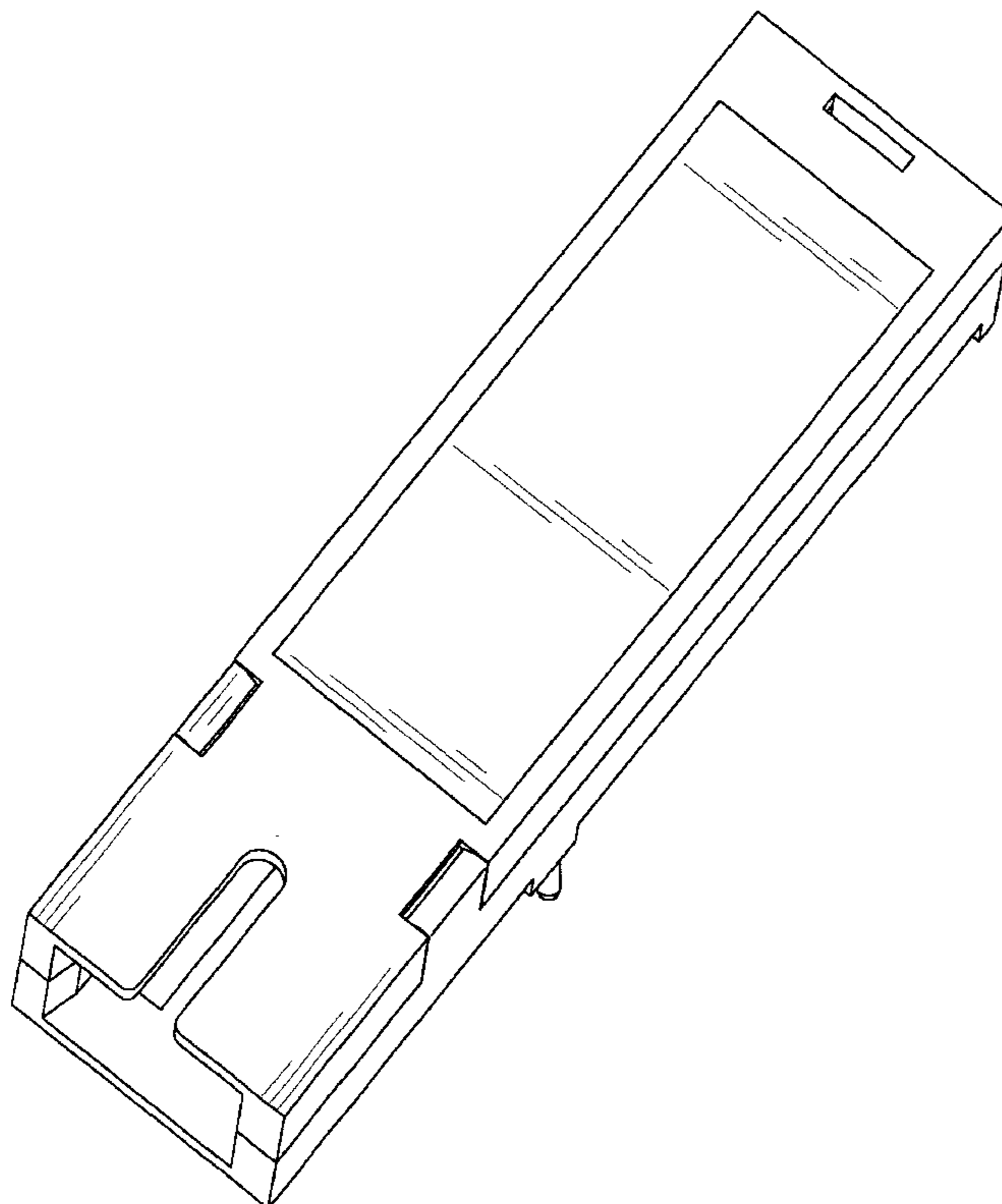
(57) **CLAIM**

The ornamental design for a 2×5 bi-direction optical transceiver, as shown and described.

DESCRIPTION

FIG. 1 is a perspective view of a 2×5 bi-direction optical transceiver showing our new design; FIG. 2 is a front elevational view thereof; FIG. 3 is a rear elevational view thereof; FIG. 4 is a left side elevational view thereof; FIG. 5 is right side elevational view thereof; FIG. 6 is a top view thereof; and, FIG. 7 is a bottom view thereof.

1 Claim, 7 Drawing Sheets



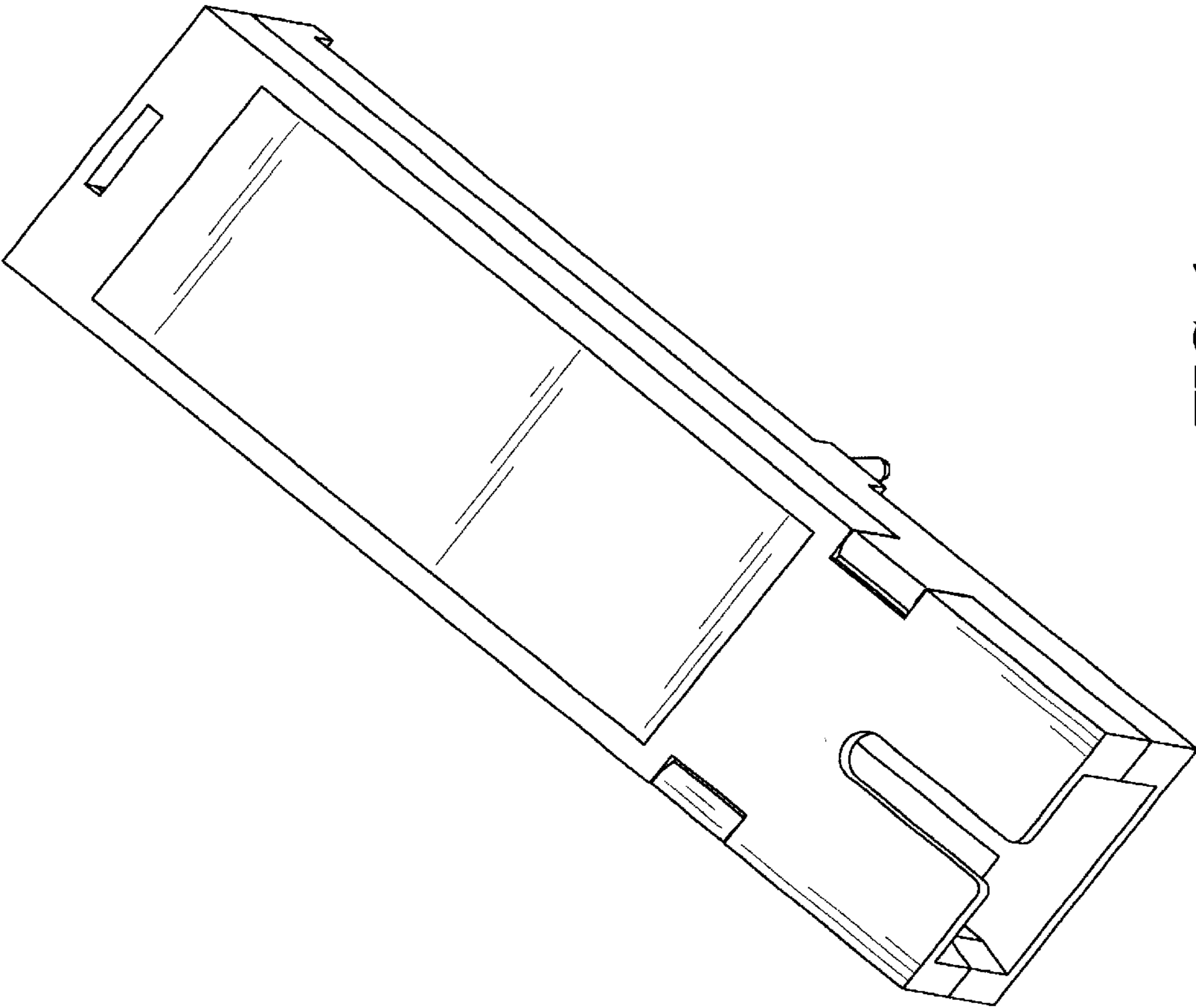


FIG. 1

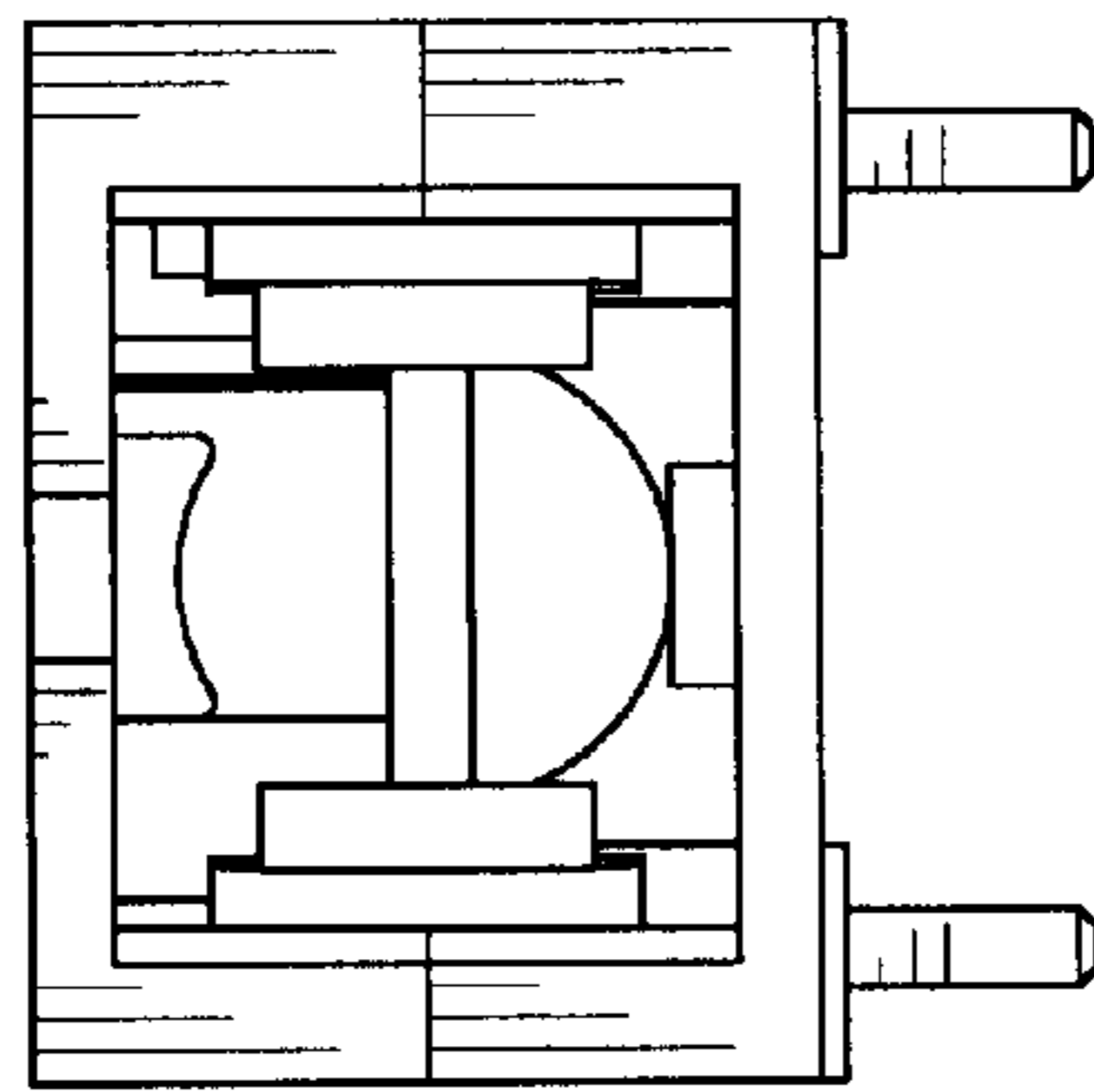


FIG. 2

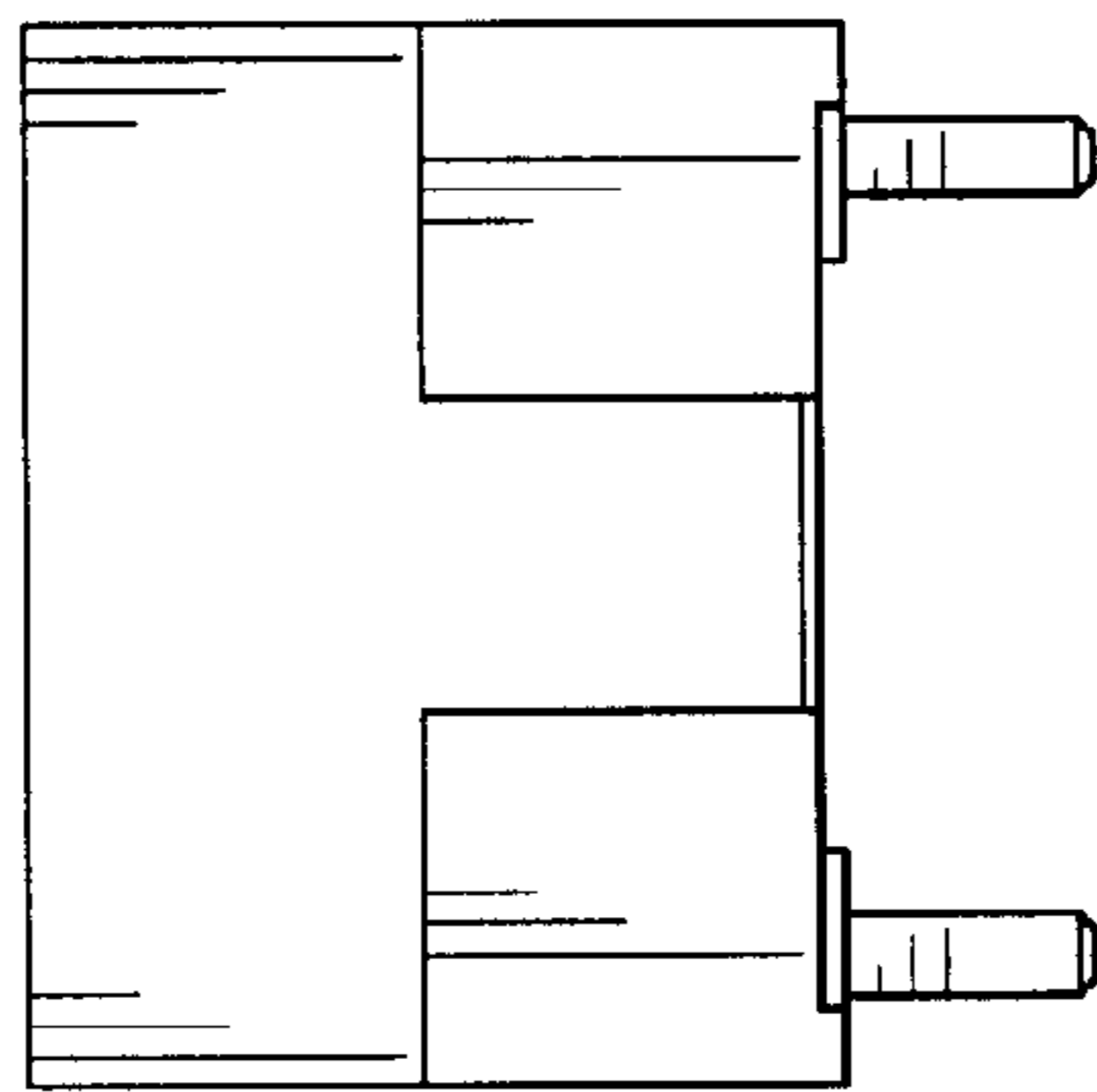


FIG. 3

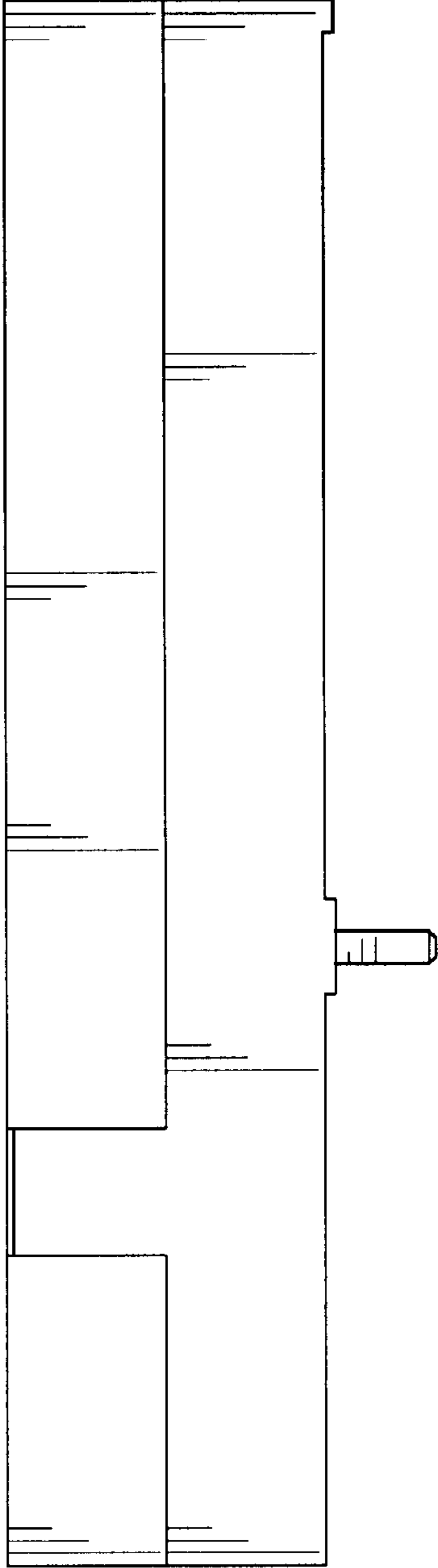


FIG. 4

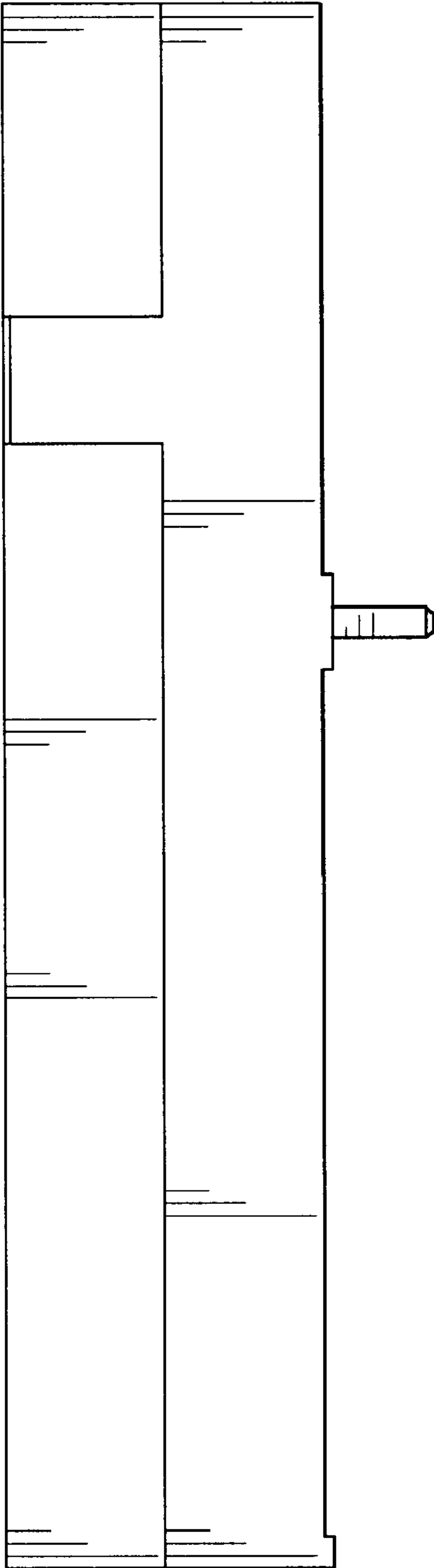


FIG. 5

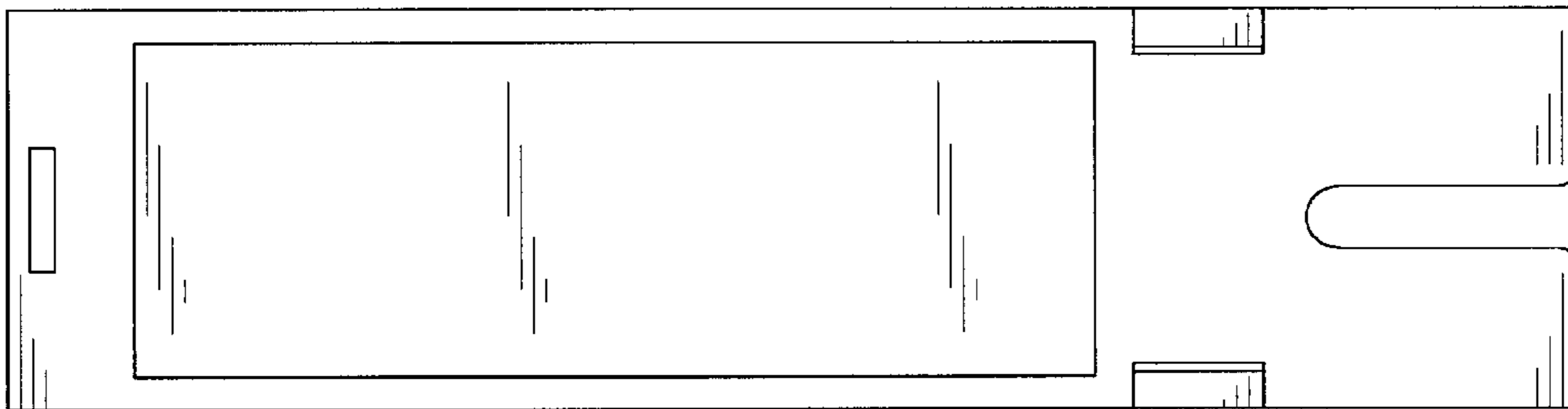


FIG. 6

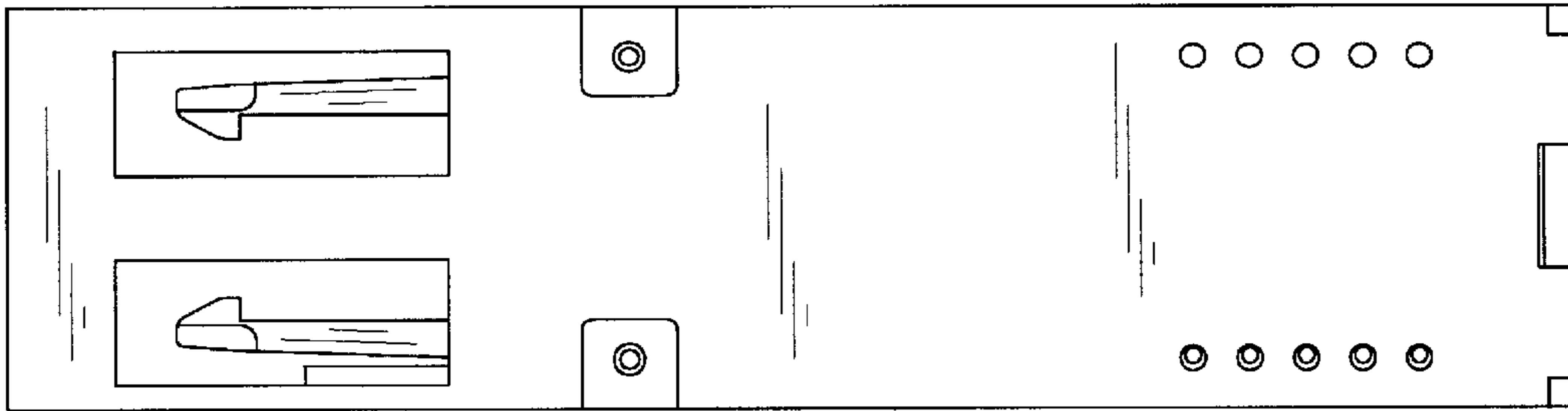


FIG. 7