



US00D524732S

(12) **United States Design Patent**
Krieger et al.

(10) **Patent No.: US D524,732 S**

(45) **Date of Patent: ** Jul. 11, 2006**

(54) **HANDLE**

(75) Inventors: **Michael Krieger**, Miami Beach, FL
(US); **Kevin Ellsworth**, Hollywood, FL
(US)

(73) Assignee: **Vector Products**, Ft. Lauderdale, FL
(US)

(**) Term: **14 Years**

(21) Appl. No.: **29/224,846**

(22) Filed: **Mar. 9, 2005**

Related U.S. Application Data

(63) Continuation of application No. 29/185,003, filed on Jun. 20, 2003, now Pat. No. Des. 503,676, which is a continuation-in-part of application No. 29/174,253, filed on Jan. 15, 2003, now Pat. No. Des. 479,195.

(51) **LOC (8) Cl. 13-02**

(52) **U.S. Cl. D13/110**

(58) **Field of Classification Search** D13/101,
D13/110, 118, 184, 199; 361/622, 679, 688;
363/141, 144, 146

See application file for complete search history.

(56) **References Cited**

U.S. PATENT DOCUMENTS

- D343,395 S 1/1994 Kakizaki
- D349,682 S 8/1994 Hunziker
- D372,017 S 7/1996 Suematsu
- D401,216 S 11/1998 Person et al.
- D413,567 S 9/1999 Person et al.
- D425,017 S * 5/2000 Leung D13/110

- D426,810 S 6/2000 Wei
- D427,148 S 6/2000 Wei
- D427,969 S * 7/2000 Wei D13/110
- D436,918 S 1/2001 Matsuda
- D449,817 S 10/2001 Takeuchi et al.
- D479,195 S 9/2003 Krieger et al.
- D491,523 S 6/2004 Chi et al.
- D494,538 S 8/2004 Erskine
- D495,296 S 8/2004 Hussaini et al.
- D496,629 S 9/2004 Hriscu et al.
- D503,677 S * 4/2005 Wardenburg D13/110

* cited by examiner

Primary Examiner—Stella Reid

Assistant Examiner—Daniel Bui

(74) *Attorney, Agent, or Firm*—Venable LLP; Robert Kinberg; Manni Li

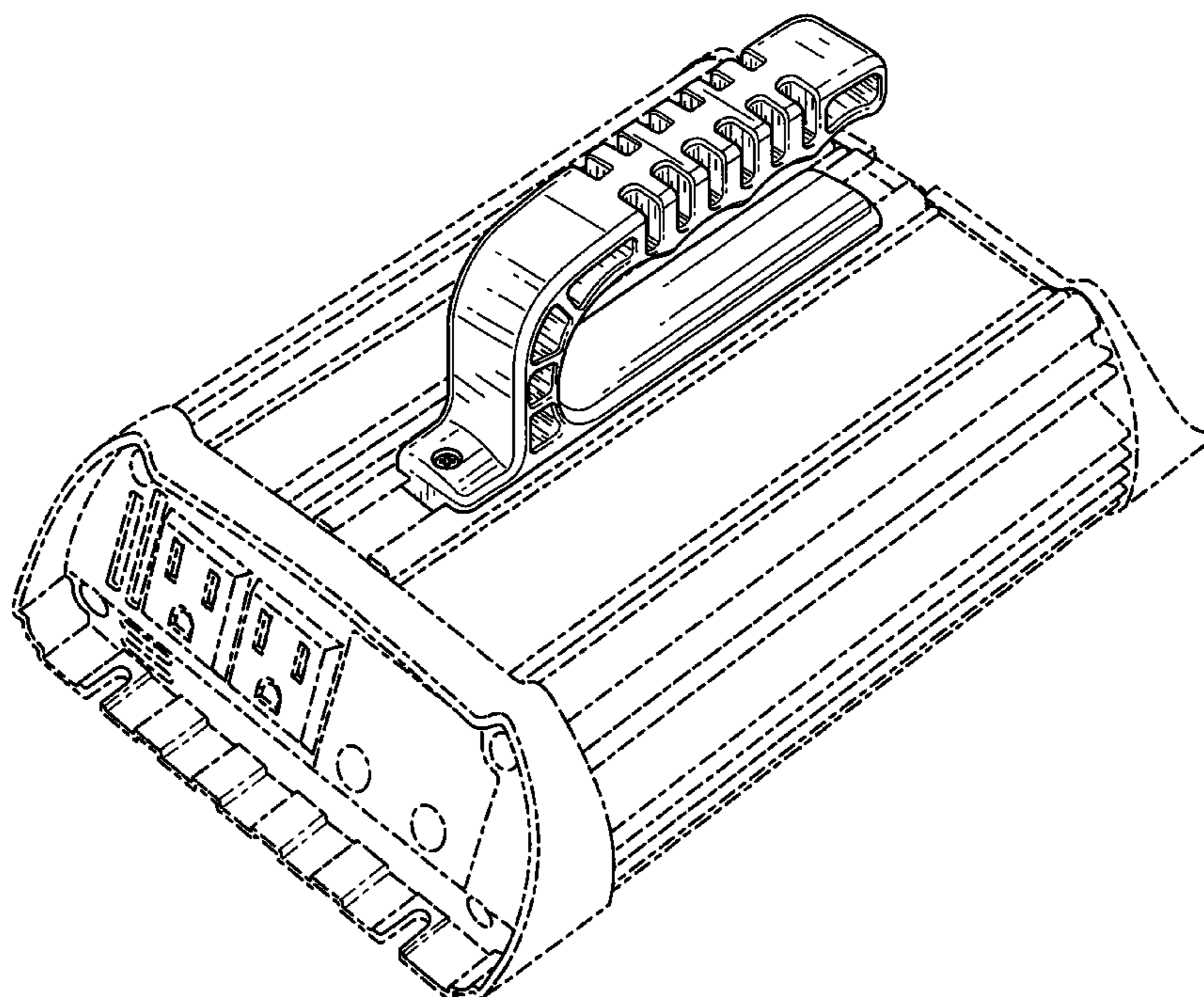
(57) **CLAIM**

The ornamental design for a handle, as shown and described.

DESCRIPTION

FIG. 1 is a perspective view from the front-top-right side of the handle showing our new design; FIG. 2 is a front view of the design shown in FIG. 1; FIG. 3 is a rear view of the design shown in FIG. 1; FIG. 4 is a left side view of the design shown in FIG. 1; FIG. 5 is a right side view of the design shown in FIG. 1; FIG. 6 is a top view of the design shown in FIG. 1; and, FIG. 7 is a bottom view of the design shown in FIG. 1. The broken lines immediately adjacent the shaded areas represent the bounds of the claimed design while all other broken lines are for illustrative purposes only; the broken lines form no part of the claimed design.

1 Claim, 7 Drawing Sheets



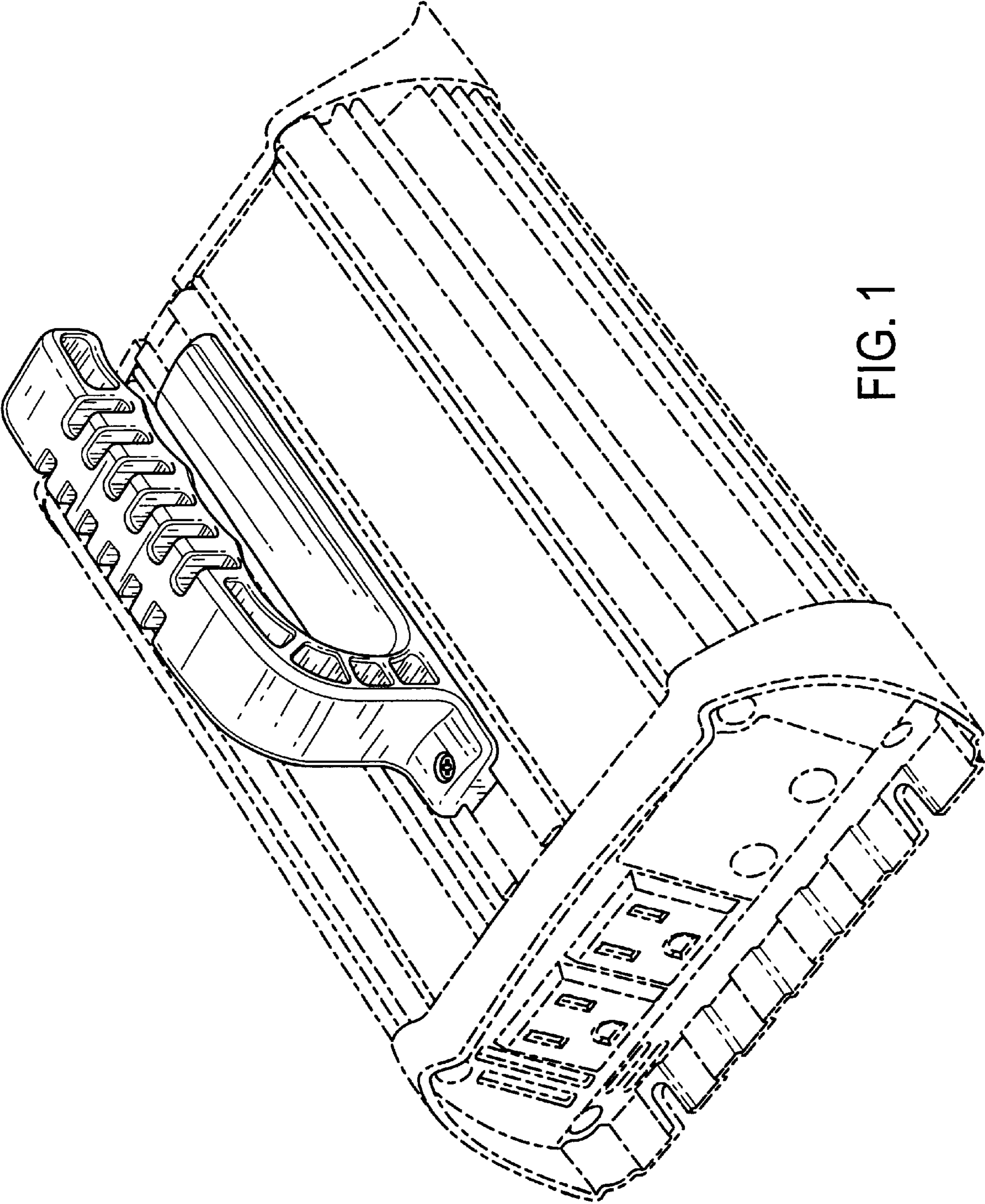


FIG. 1

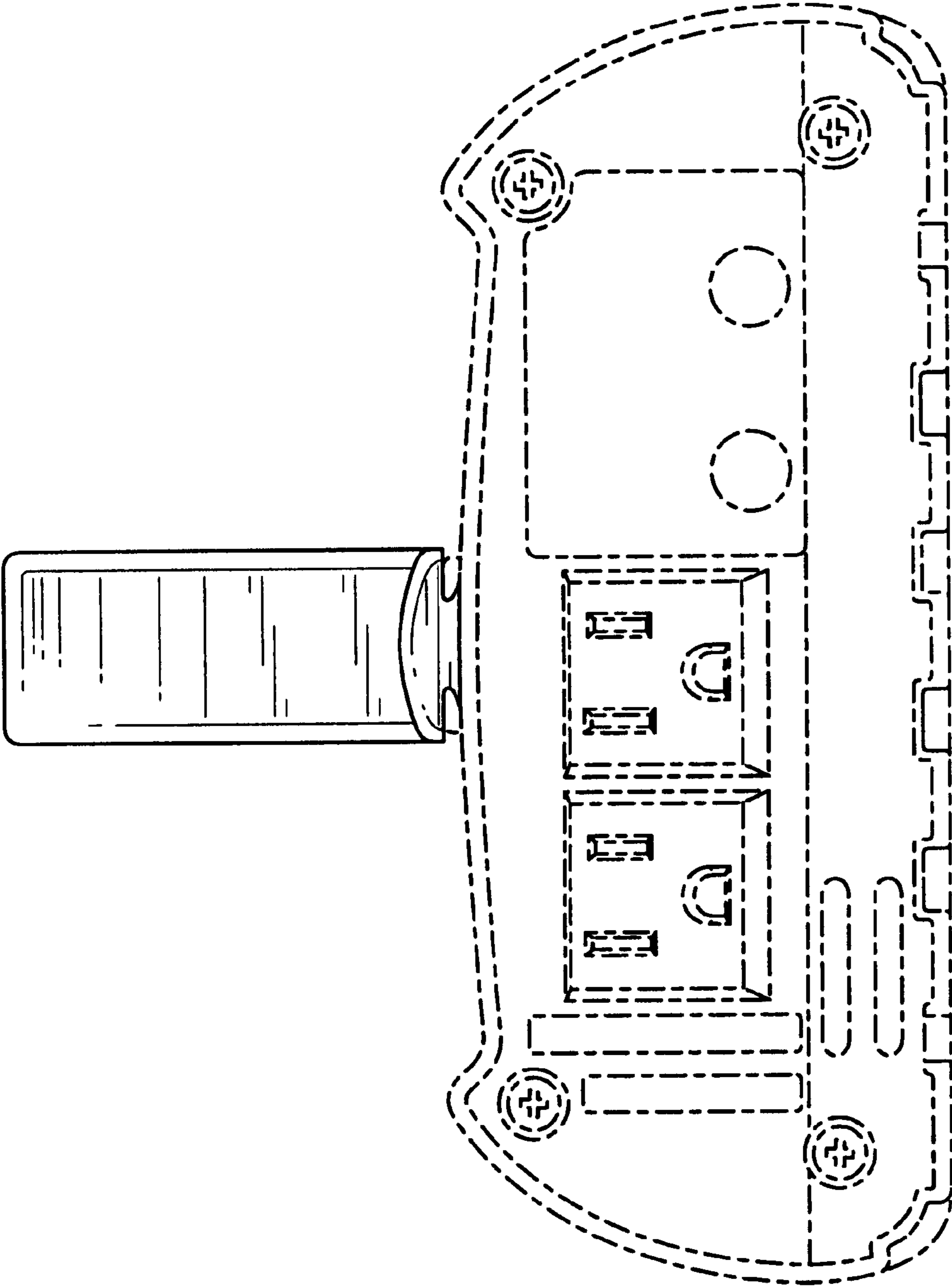


FIG. 2

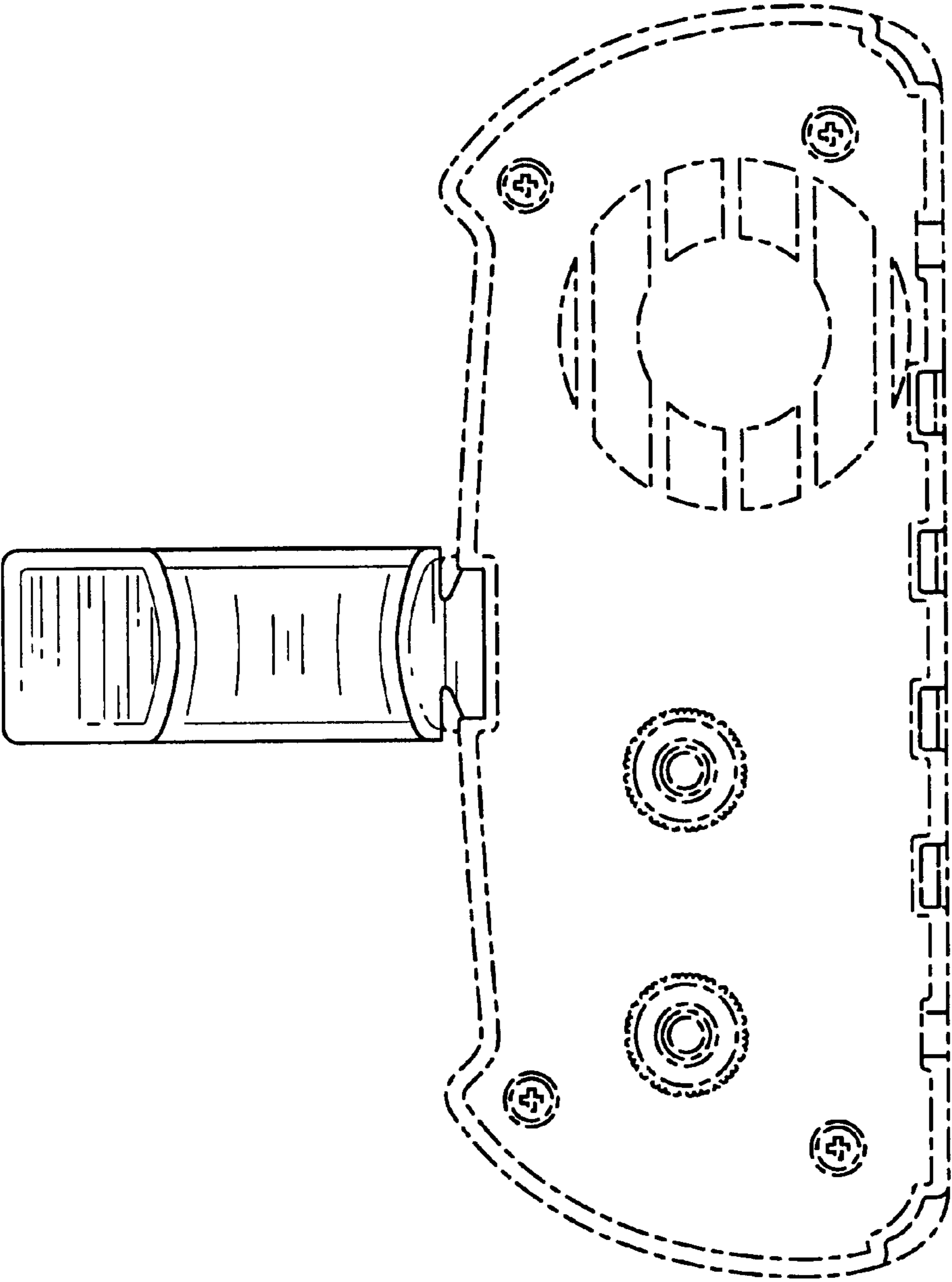


FIG. 3

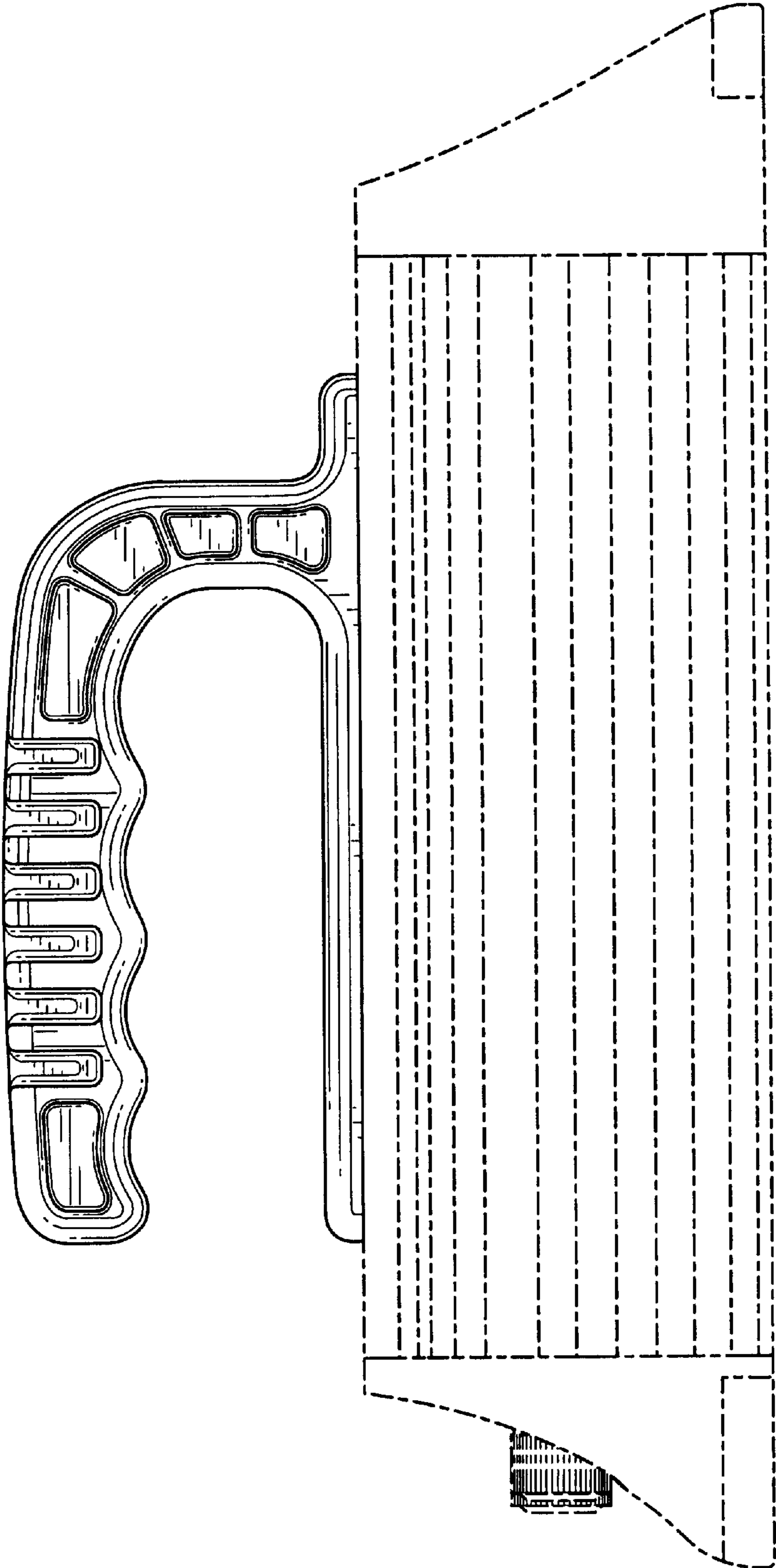


FIG. 4

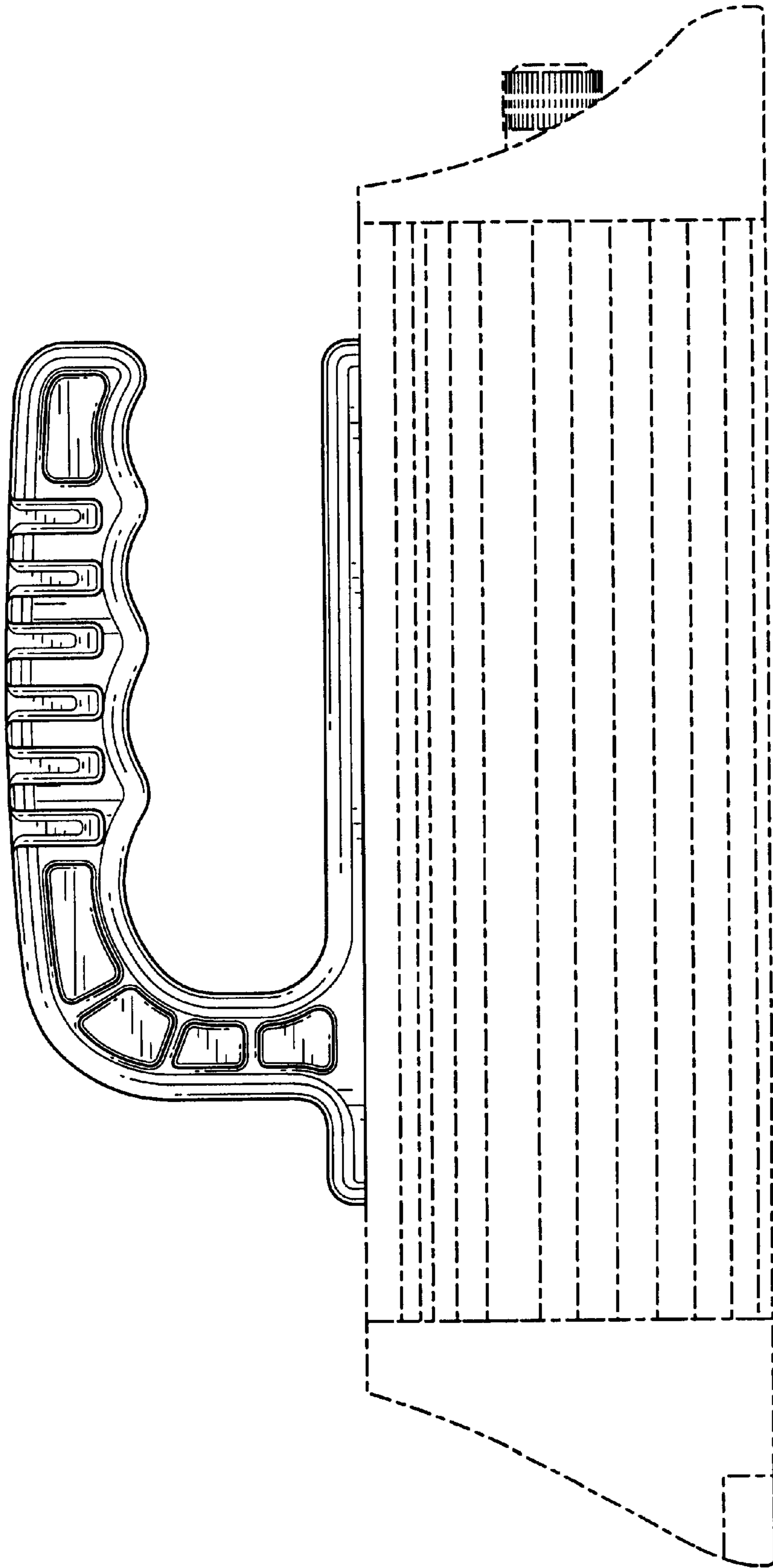


FIG. 5

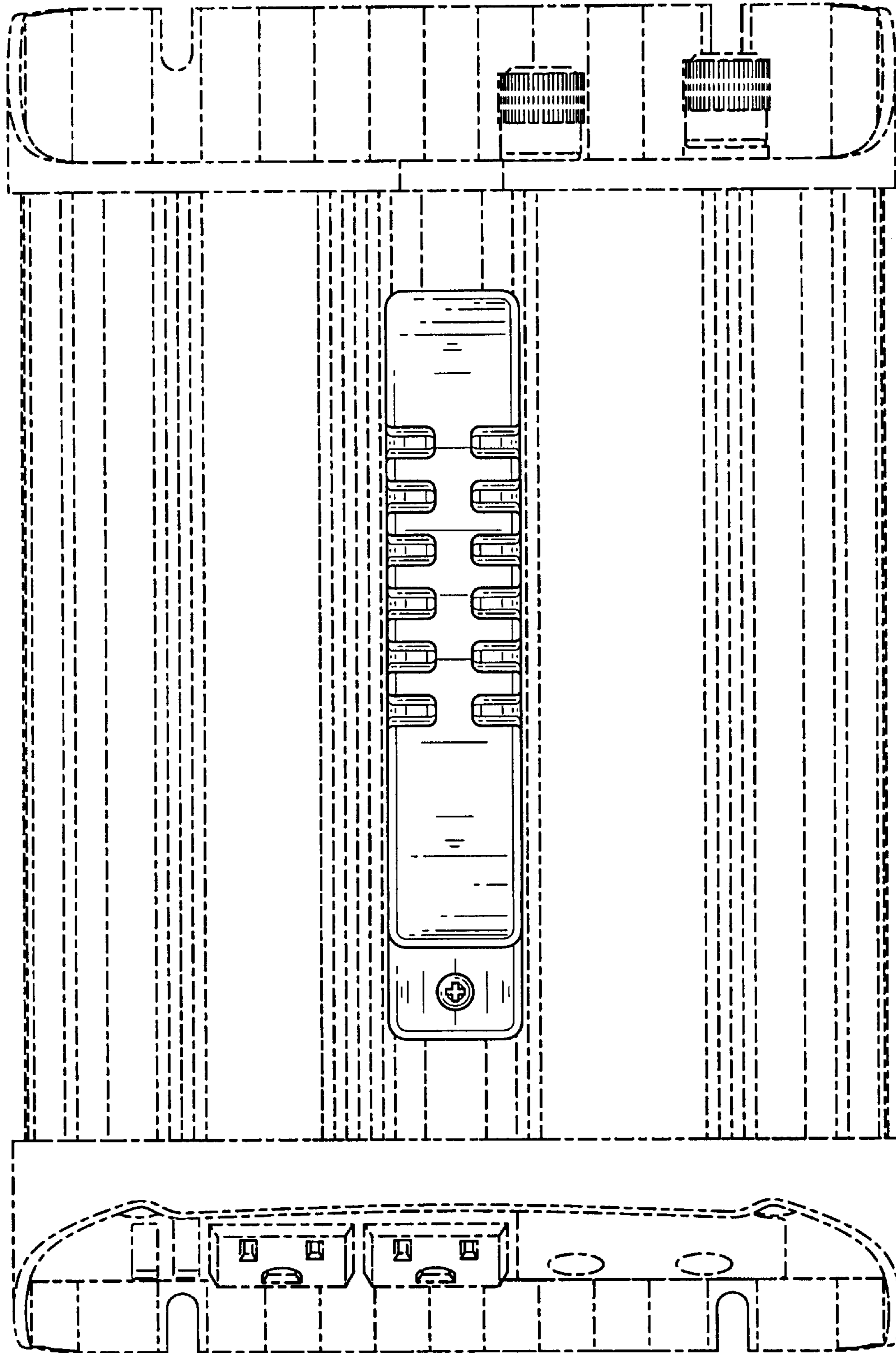


FIG. 6

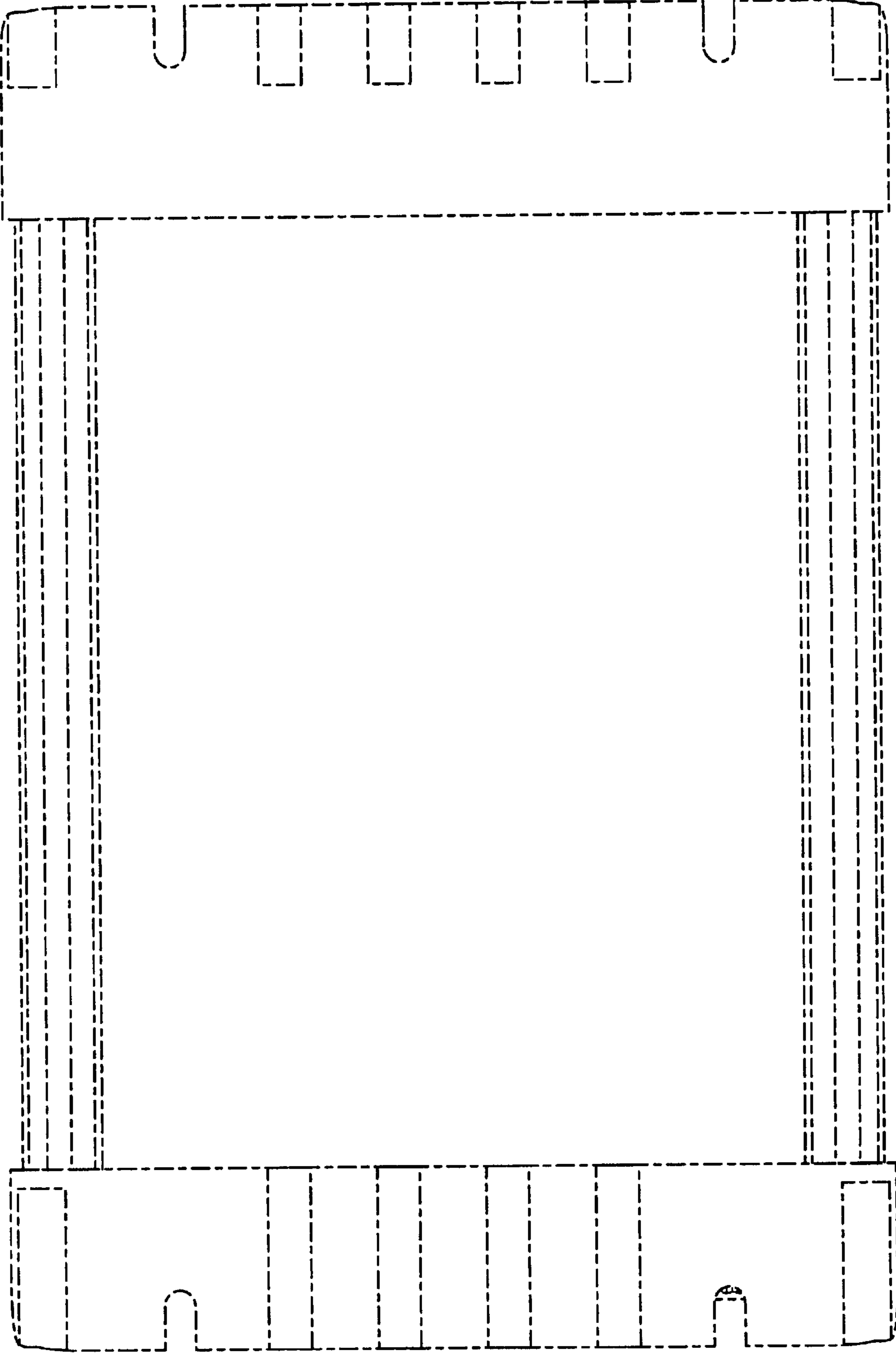


FIG. 7