



US00D524731S

(12) **United States Design Patent**
Navarrez et al.

(10) **Patent No.:** **US D524,731 S**

(45) **Date of Patent:** **** Jul. 11, 2006**

(54) **TRAVEL CHARGER**

(75) Inventors: **Paul Navarrez**, Glendale, CA (US);
Ahmed Abdallah, Palmdale, CA (US)

(73) Assignee: **USA Wireless Solutions, Inc.**, Van Nuys, CA (US)

(**) Term: **14 Years**

(21) Appl. No.: **29/232,860**

(22) Filed: **Jun. 24, 2005**

(51) **LOC (8) Cl.** **13-02**

(52) **U.S. Cl.** **D13/108**

(58) **Field of Classification Search** D13/107-110,
D13/118-119, 184; D14/251, 253, 432, 434;
320/107-115

See application file for complete search history.

(56) **References Cited**

U.S. PATENT DOCUMENTS

D406,259 S	*	3/1999	Lindahl	D13/110
5,923,147 A	*	7/1999	Martensson	320/111
D425,480 S	*	5/2000	Jokinen	D13/107
D431,020 S	*	9/2000	Harjunpaa et al.	D13/107
D432,497 S	*	10/2000	Totsuka et al.	D13/110
D446,185 S	*	8/2001	Saastamoinen et al.	D13/108

6,320,353 B1	*	11/2001	Chiu et al.	320/111
D454,537 S	*	3/2002	O'Connor et al.	D13/110
D456,008 S	*	4/2002	Kawanobe et al.	D13/110
D474,739 S	*	5/2003	Chang	D13/110
6,664,758 B1	*	12/2003	Yang	320/107
2003/0184259 A1	*	10/2003	Yang	320/107
2005/0269987 A1	*	12/2005	Lin	320/115

* cited by examiner

Primary Examiner—Alan P. Douglas

Assistant Examiner—Rosemary K. Tarcza

(74) *Attorney, Agent, or Firm*—O'Melveny & Myers LLP

(57) **CLAIM**

The ornamental design for a travel charger, as shown and described.

DESCRIPTION

FIG. 1 is a perspective view of a travel charger in accordance with the invention;

FIG. 2 is a front side view of the travel charger;

FIG. 3 is a back side view of the travel charger;

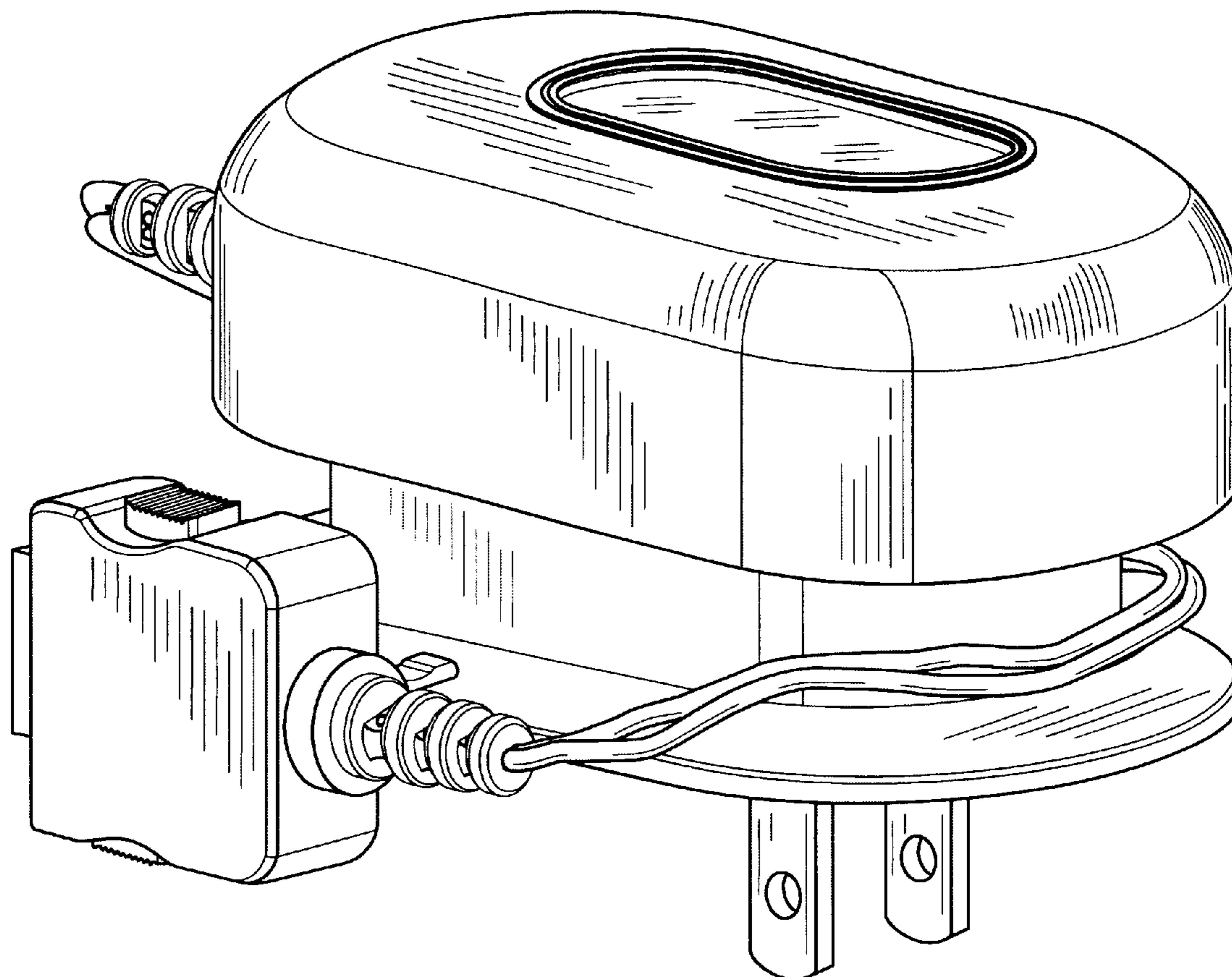
FIG. 4 is a left side view of the travel charger;

FIG. 5 is a right side view of the travel charger;

FIG. 6 is a top view of the travel charger; and,

FIG. 7 is a bottom view of the travel charger.

1 Claim, 4 Drawing Sheets



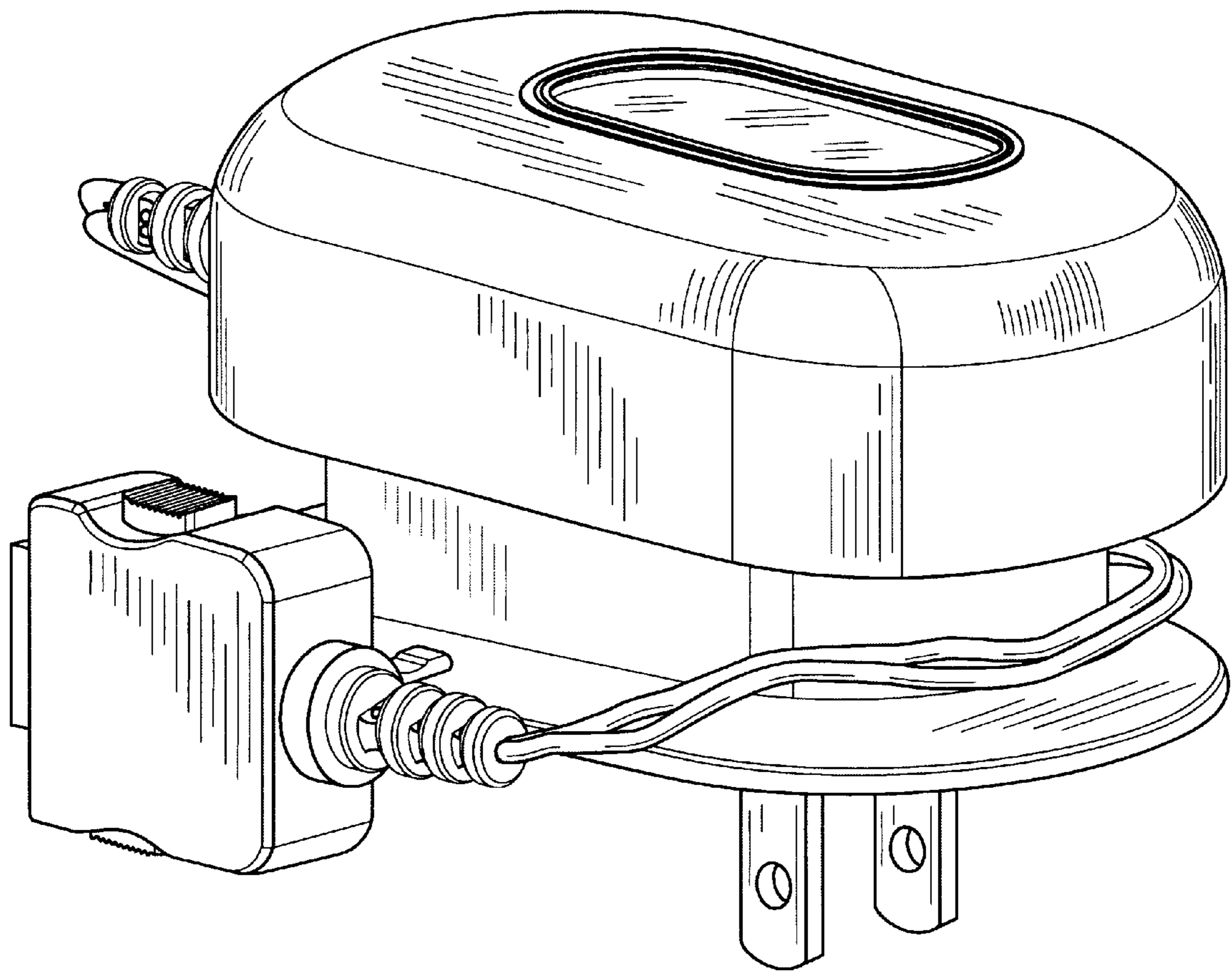


FIG. 1

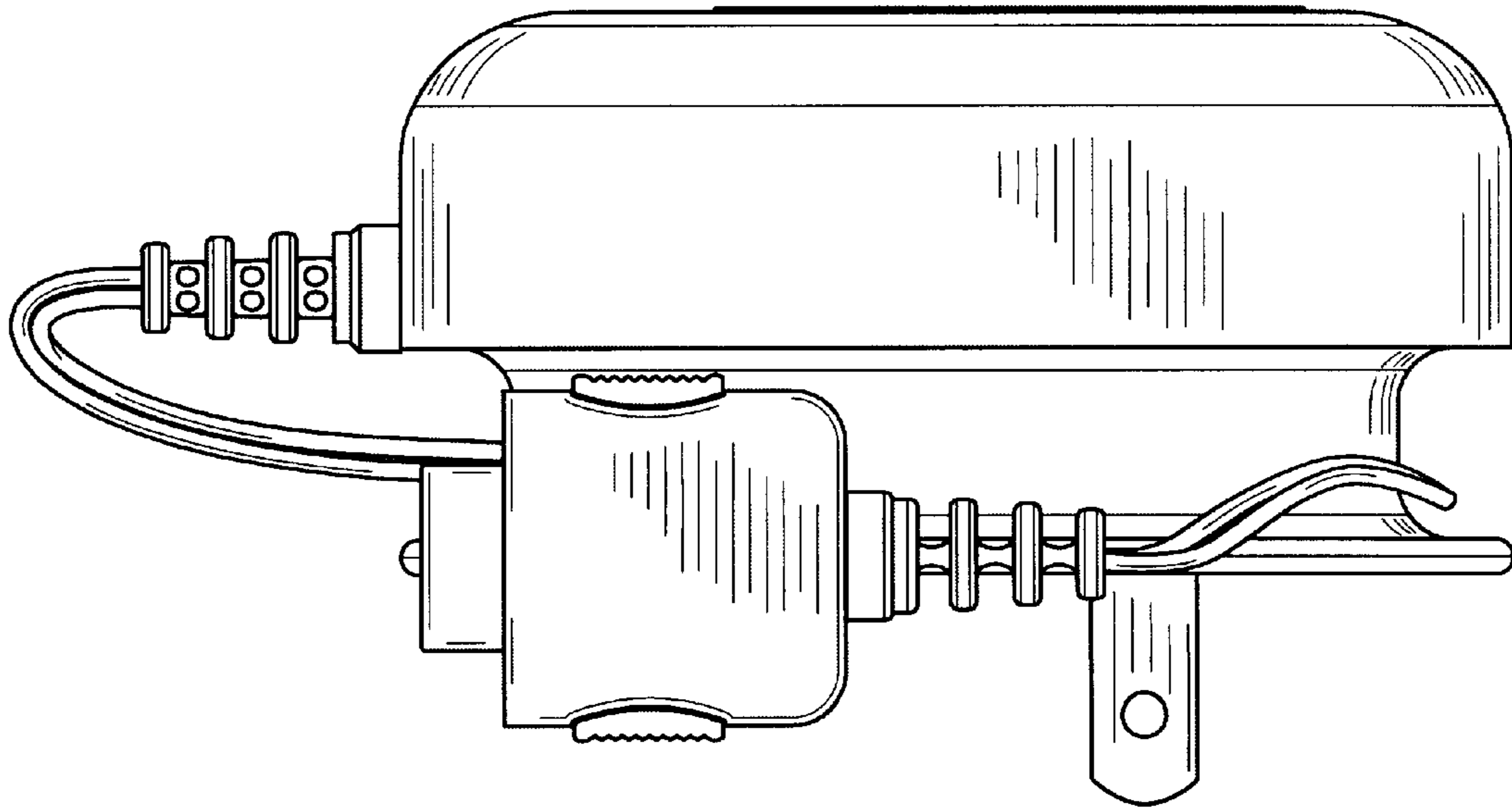


FIG. 2

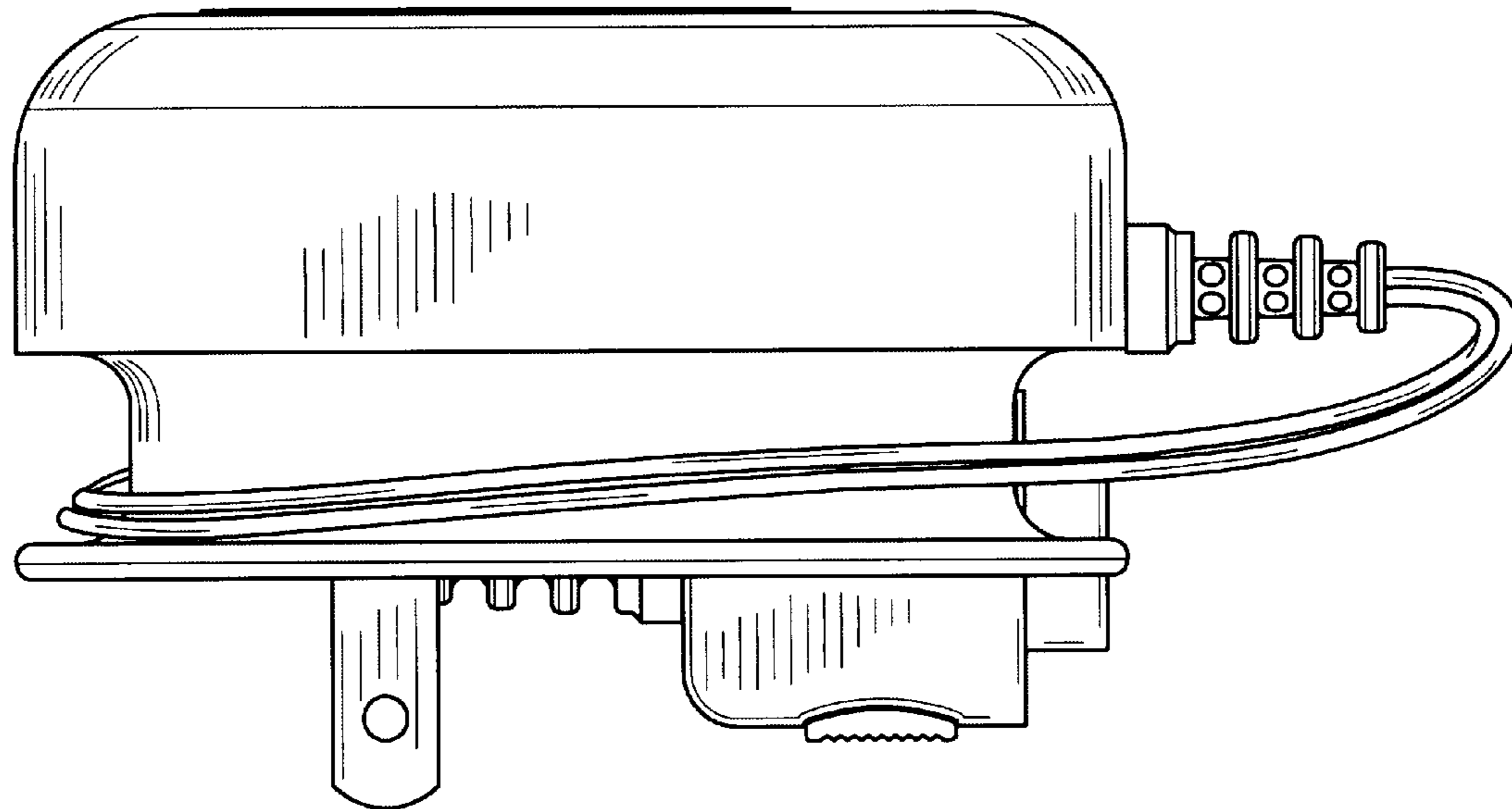


FIG. 3

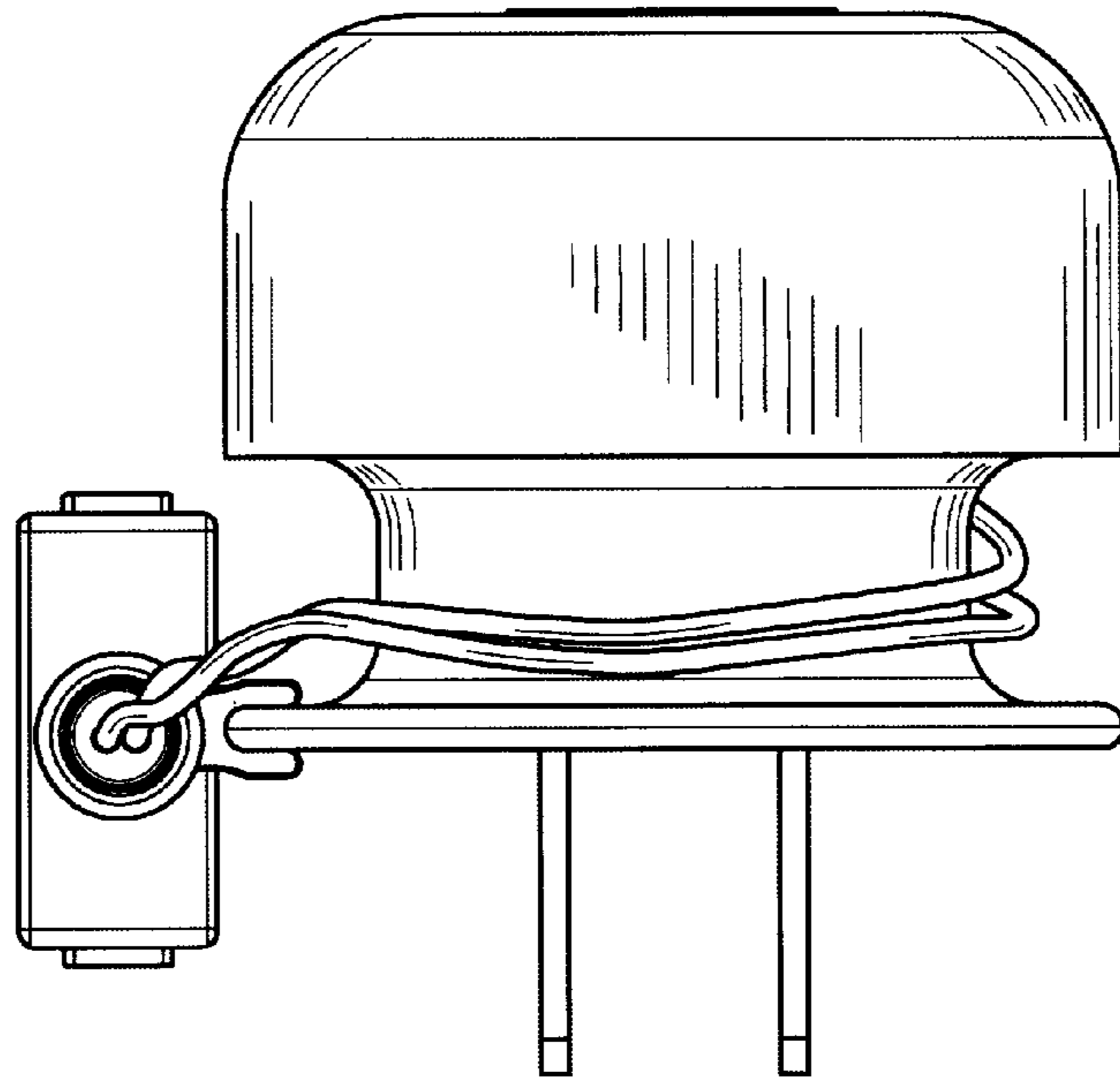


FIG. 4

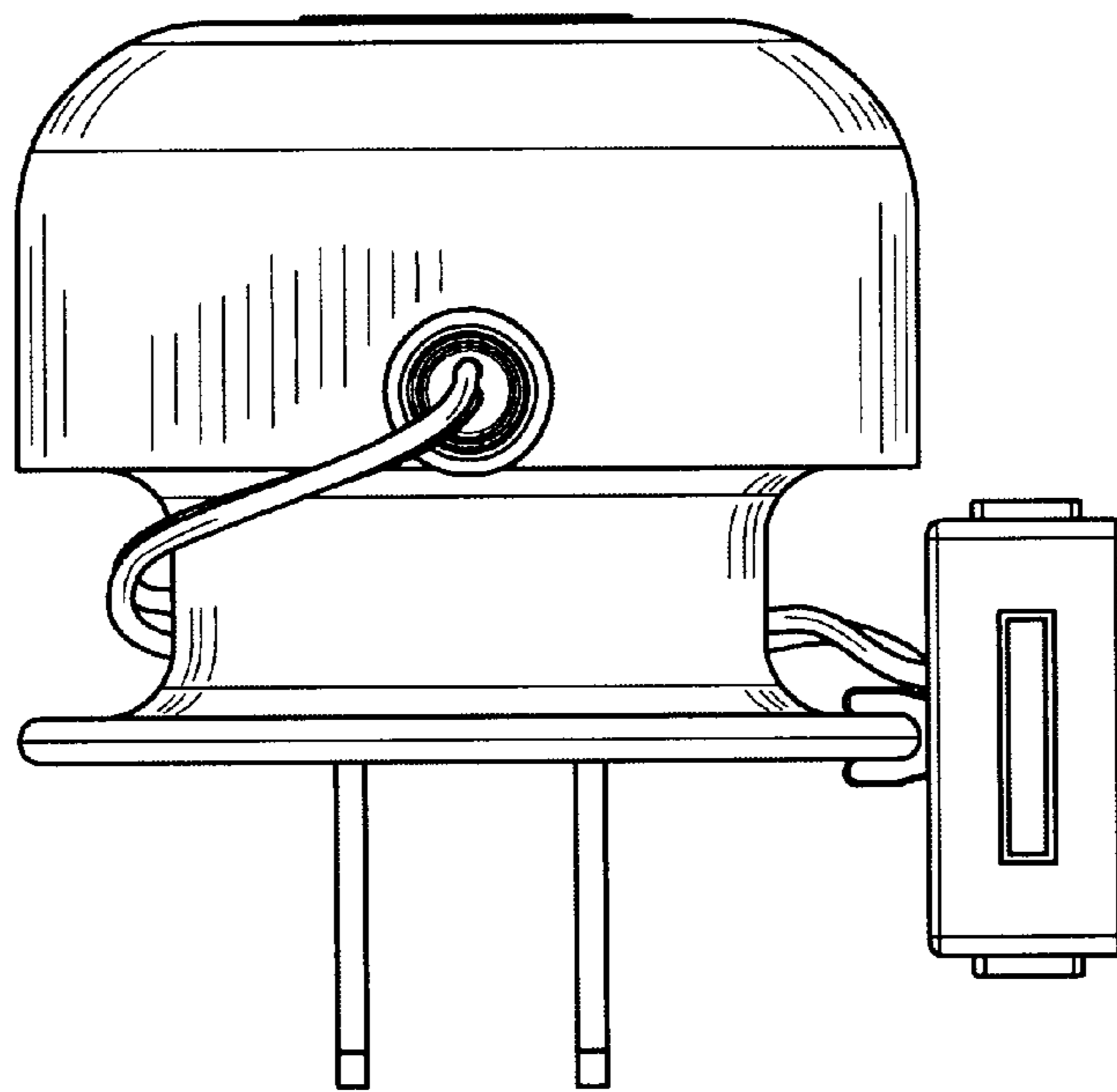


FIG. 5

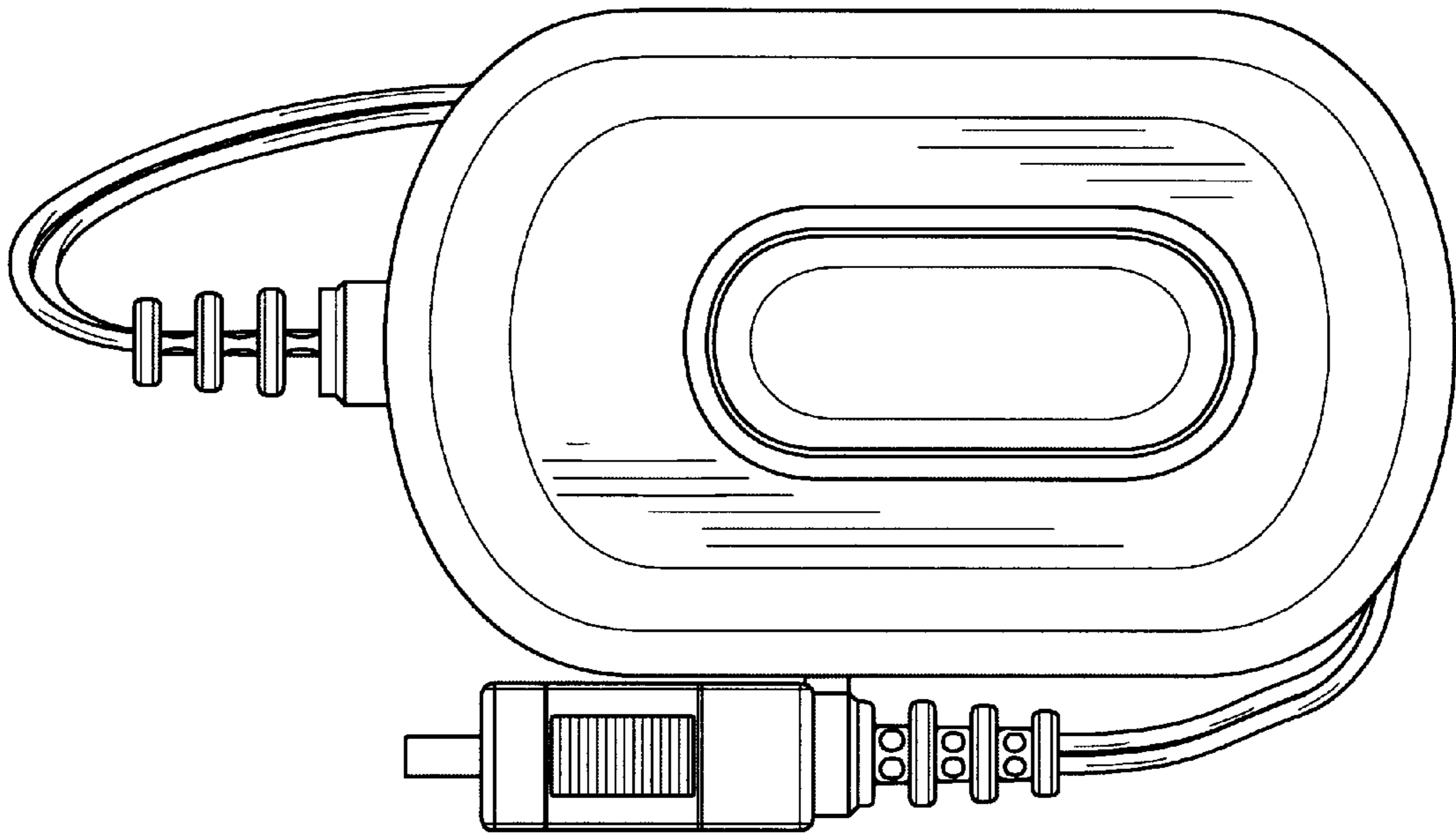


FIG. 6

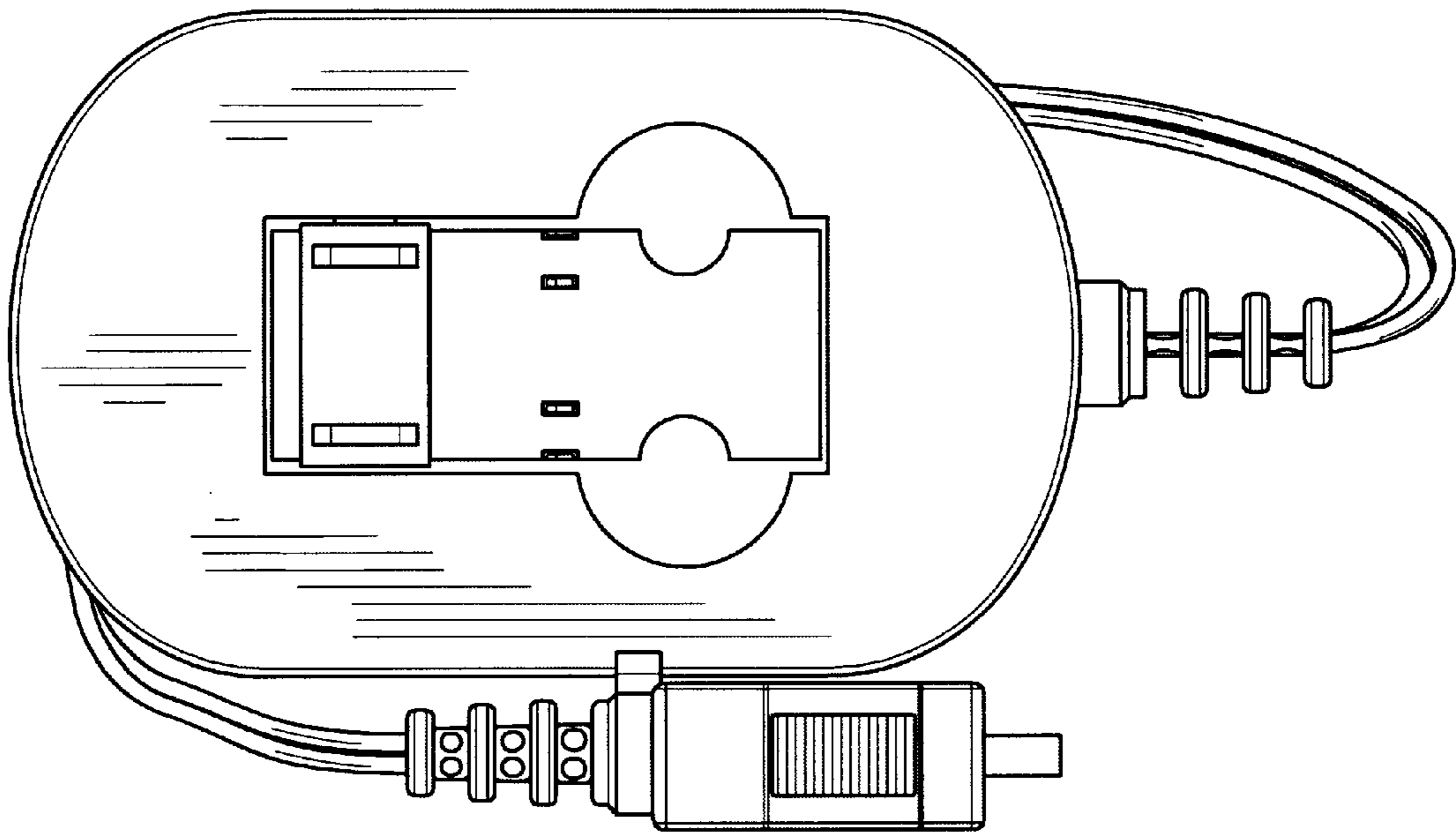


FIG. 7