



US00D524729S

(12) **United States Design Patent**  
**Hussaini et al.**

(10) **Patent No.:** **US D524,729 S**  
(45) **Date of Patent:** **\*\* Jul. 11, 2006**

(54) **CHARGING CRADLE FOR ELECTRONIC DEVICE**

D507,794 S \* 7/2005 Wang et al. .... D14/434  
D508,459 S \* 8/2005 Yoshida ..... D13/108

(75) Inventors: **Saied Hussaini**, Miami, FL (US); **Marc Iacovelli**, Miami, FL (US)

\* cited by examiner

(73) Assignee: **Intec, Inc.**, Miami, FL (US)

*Primary Examiner*—Alan P. Douglas  
*Assistant Examiner*—Rosemary K. Tarcza

(\*\*) Term: **14 Years**

(74) *Attorney, Agent, or Firm*—Berenato, White & Stavish LLC

(21) Appl. No.: **29/231,808**

(57) **CLAIM**

(22) Filed: **Jun. 10, 2005**

The ornamental design for a charging cradle for electronic device, as shown and described.

(51) **LOC (8) Cl.** ..... **13-02**

**DESCRIPTION**

(52) **U.S. Cl.** ..... **D13/108**

(58) **Field of Classification Search** ..... D13/107–110,  
D13/118–119, 184; D14/251, 253, 432, 434;  
D16/219, 237, 242; 320/107–115  
See application file for complete search history.

FIG. 1 is a perspective view of the charging cradle for electronic device according to the present invention.

FIG. 2 is a front view of the charging cradle for electronic device of FIG. 1.

FIG. 3 is a rear view of the charging cradle for electronic device of FIG. 1.

FIG. 4 is a left side view of the charging cradle for electronic device of FIG. 1.

FIG. 5 is a right side view of the charging cradle for electronic device of FIG. 1.

FIG. 6 is a top view of the charging cradle for electronic device of FIG. 1; and,

FIG. 7 is a bottom view of the charging cradle for electronic device of FIG. 1.

(56) **References Cited**

U.S. PATENT DOCUMENTS

D315,161 S	*	3/1991	Watanabe	.....	D14/253
D368,479 S	*	4/1996	Larson	.....	D14/253
D376,585 S	*	12/1996	Wathen et al.	.....	D14/434
D413,607 S	*	9/1999	Lindahl	.....	D14/253
D428,387 S	*	7/2000	Malloy et al.	.....	D13/107
D477,604 S	*	7/2003	Lin	.....	D14/434
D479,523 S	*	9/2003	Peiker	.....	D14/253
D483,052 S	*	12/2003	Utsunomiya	.....	D16/242
D489,325 S	*	5/2004	Nakamura	.....	D13/110

**1 Claim, 7 Drawing Sheets**

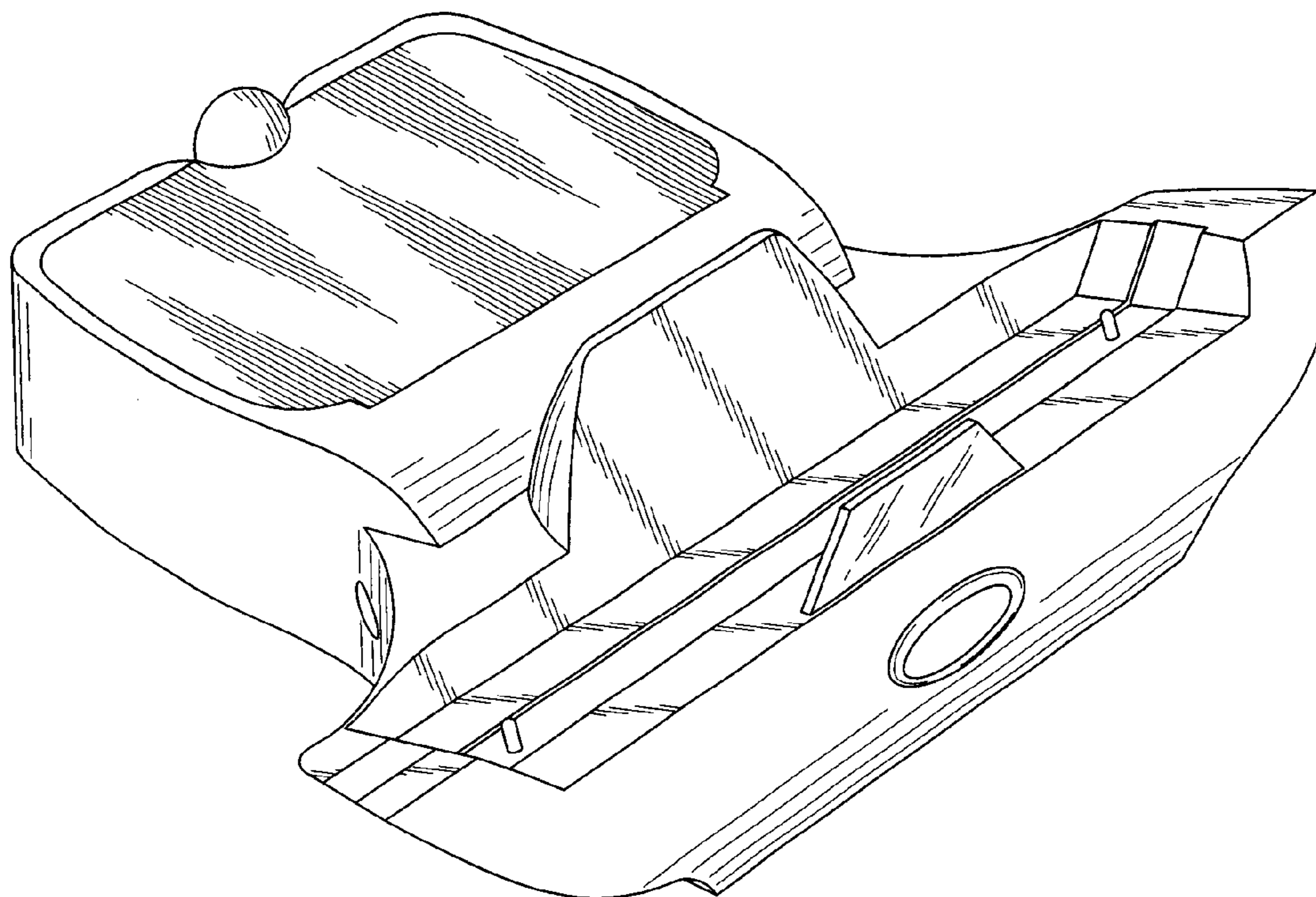


Fig. 1

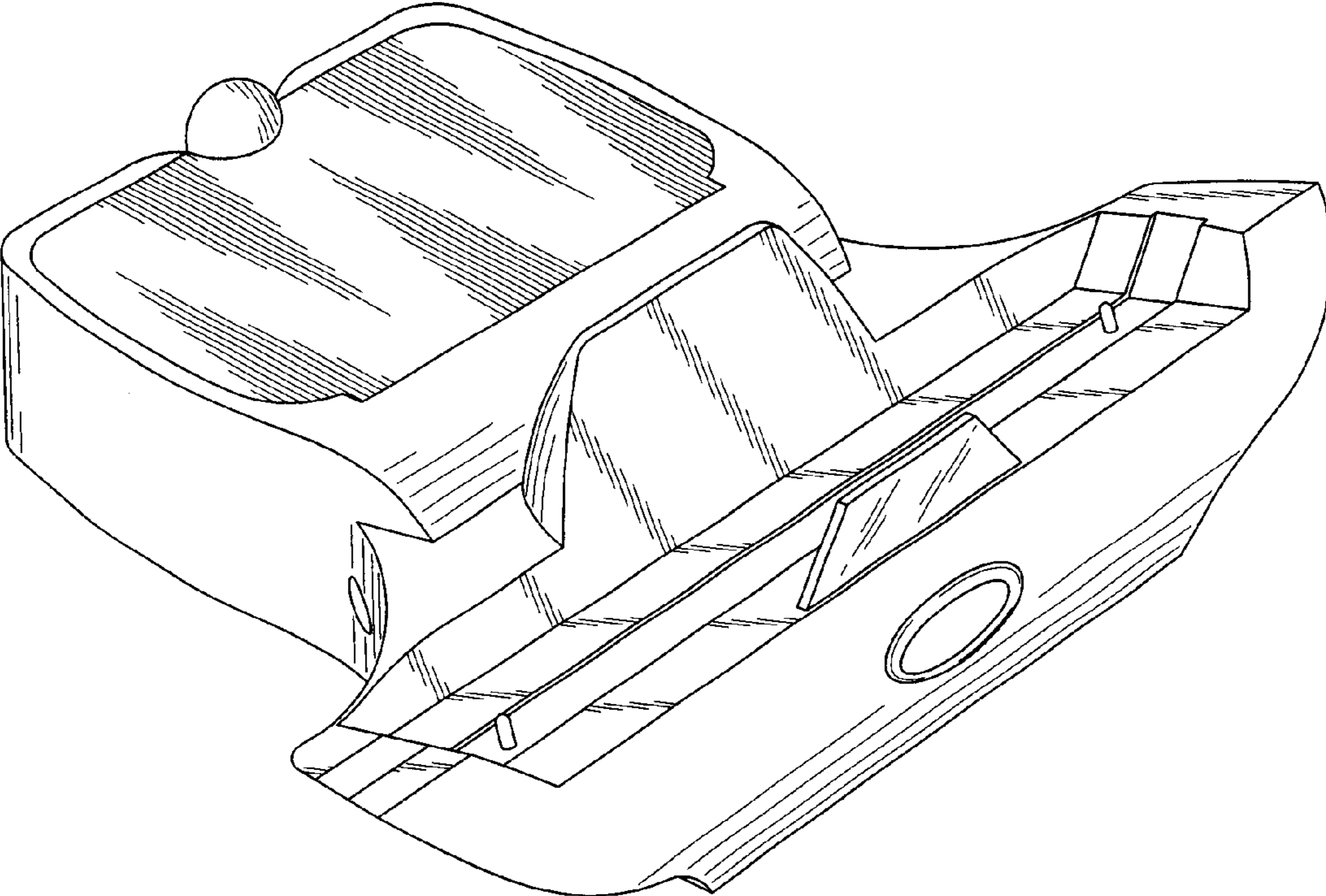


Fig. 2

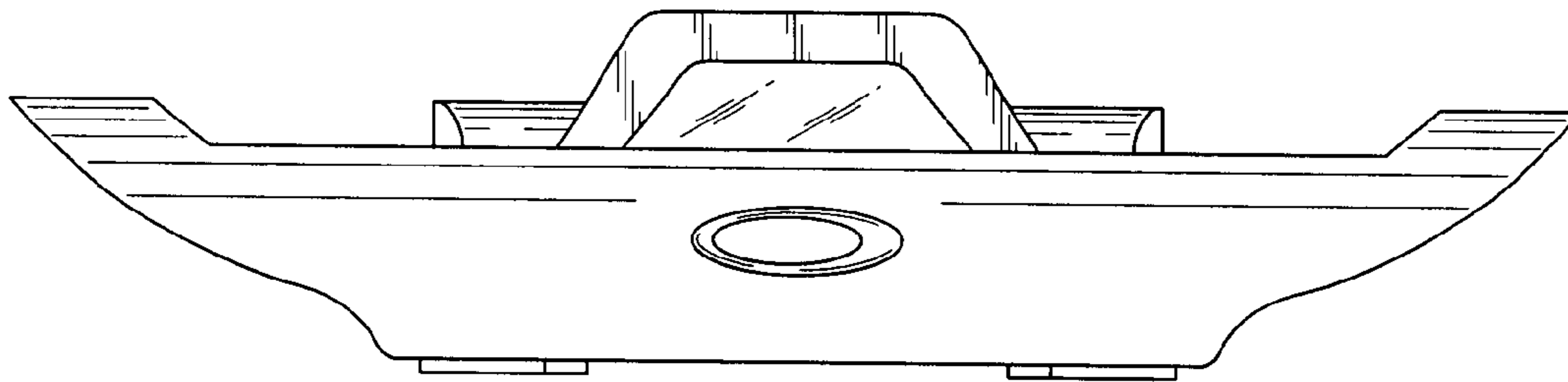


Fig. 3

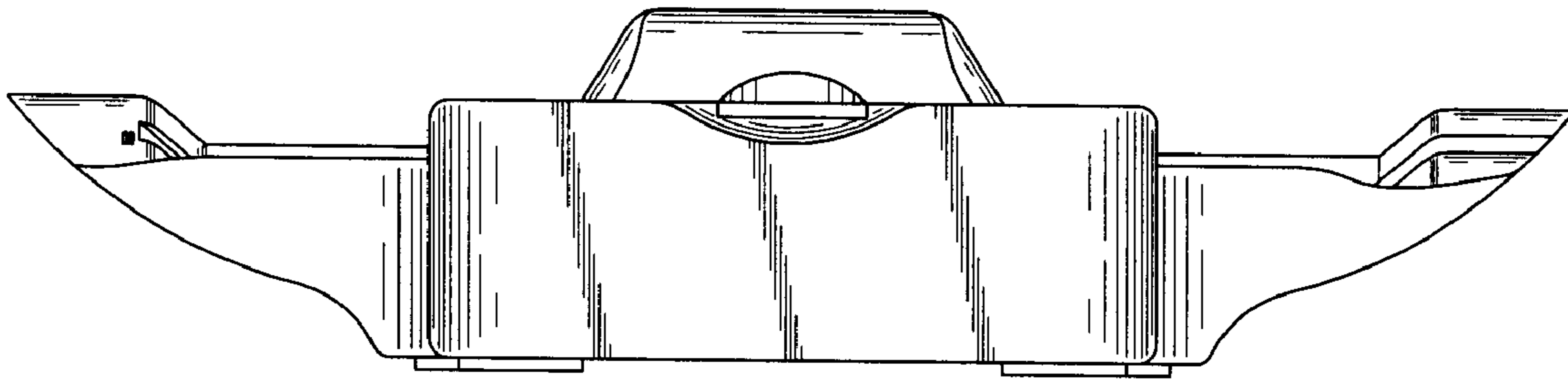


Fig. 4

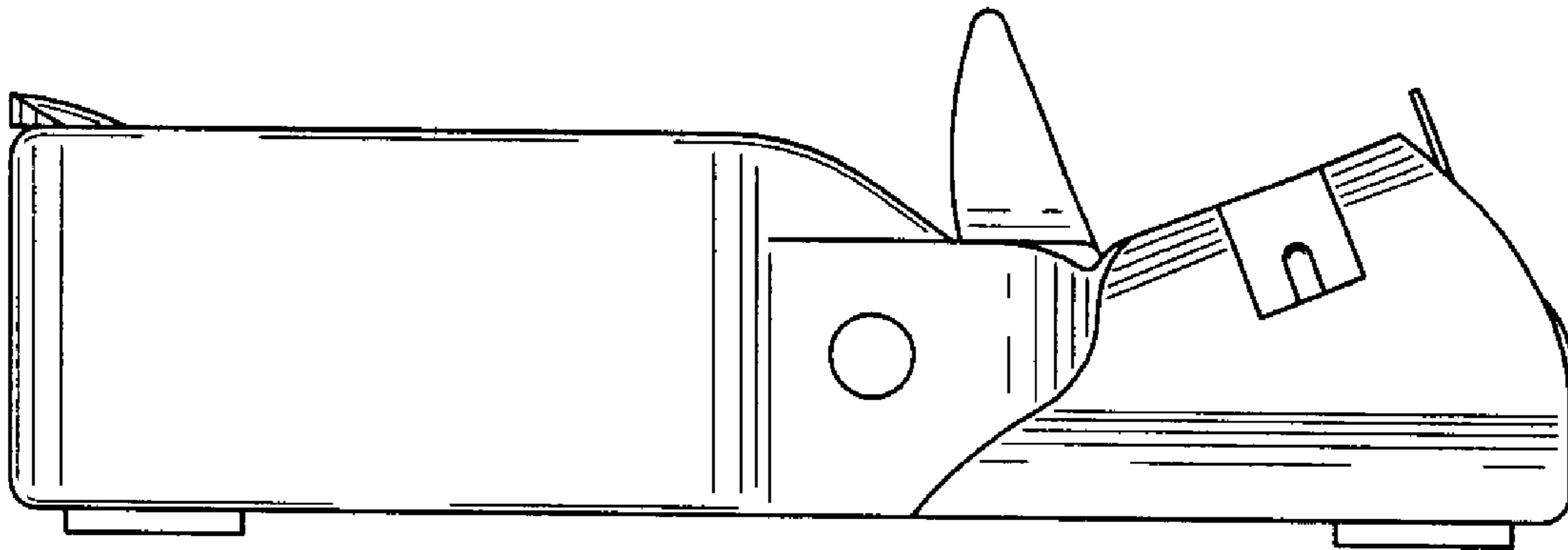


Fig. 5

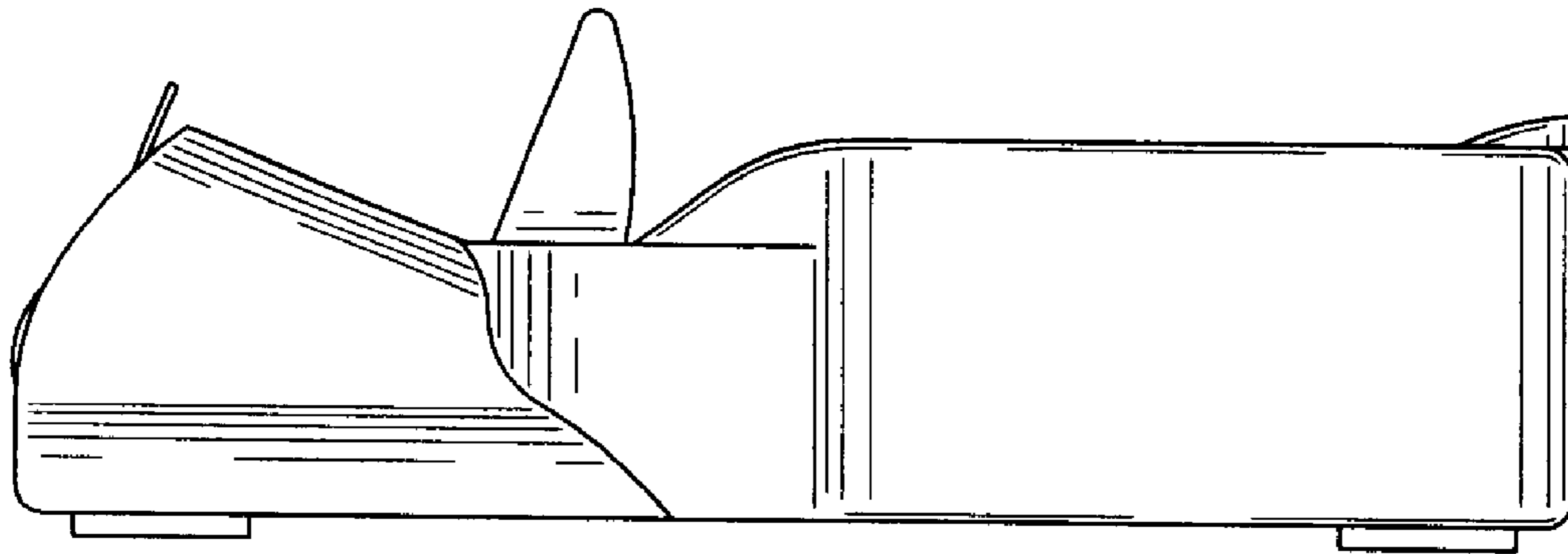


Fig. 6

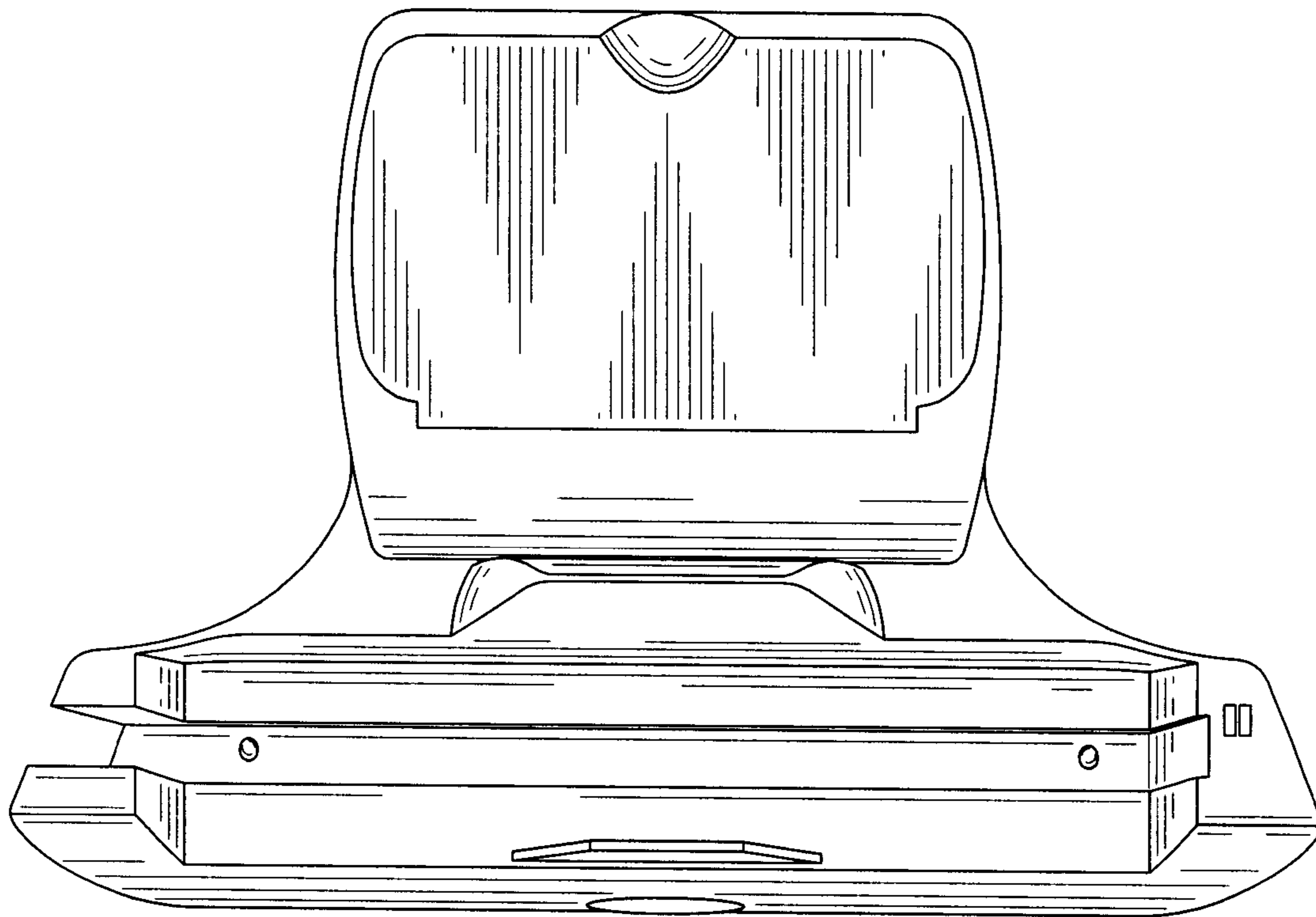


Fig. 7

