

US00D524721S

(12) **United States Design Patent**  
**Dumigan et al.**

(10) **Patent No.:** **US D524,721 S**  
(45) **Date of Patent:** **\*\* Jul. 11, 2006**

(54) **TIRE TREAD**

(75) Inventors: **Keith A. Dumigan**, Akron, OH (US);  
**Francis Byrne**, Medina, OH (US);  
**Yasuo Himuro**, Fachskawa (JP); **John P. Rodak**, Canton, OH (US); **David C. Spragg**, Hudson, OH (US); **Andrew Svenson**, Wadsworth, OH (US); **Jon I. Stuckey**, Louisville, OH (US)

(73) Assignee: **Bridgestone Firestone North American Tire, LLC**, Nashville, TN (US)

(\*\*) Term: **14 Years**

(21) Appl. No.: **29/235,757**

(22) Filed: **Aug. 5, 2005**

(51) **LOC (8) Cl.** ..... **12-15**

(52) **U.S. Cl.** ..... **D12/516**

(58) **Field of Classification Search** ..... D12/505,  
D12/509, 512, 514-524, 526-532; 152/209.1,  
152/209.8, 455

See application file for complete search history.

(56) **References Cited**

U.S. PATENT DOCUMENTS

D325,365 S	4/1992	Covert et al.
D329,032 S	9/1992	Maxwell et al.
D329,411 S	9/1992	Lassan
D333,456 S	2/1993	Woo
D335,478 S	5/1993	Slingluff et al.
D336,275 S	6/1993	Montag et al.
D340,212 S	10/1993	Montag et al.
D341,111 S	11/1993	Himuro et al.
D342,224 S	12/1993	Graas et al.
D347,813 S	6/1994	Maxwell
D350,717 S	9/1994	Maxwell et al.
D355,875 S	2/1995	Allison et al.
D358,793 S	5/1995	Himuro et al.
D365,054 S	12/1995	Faulk
D365,791 S	1/1996	Brown et al.

D365,793 S	1/1996	Scarpitti et al.
D365,795 S	1/1996	Scarpitti et al.
D365,796 S	1/1996	Scarpitti et al.
D366,438 S	1/1996	McKisson
D380,998 S	7/1997	Lassan et al.
D390,817 S	* 2/1998	Graas et al. .... D12/516
D393,613 S	4/1998	Brayer et al.
D398,567 S	9/1998	Brown et al.
D422,247 S	4/2000	Gerresheim et al.
D437,808 S	2/2001	Gerresheim et al.
D451,447 S	12/2001	Heinen et al.
D464,931 S	10/2002	Slingluff et al.
D483,005 S	12/2003	Hirai
D490,046 S	5/2004	Fukunaga
D490,047 S	5/2004	Heinen et al.
D490,049 S	5/2004	Heinen et al.
D497,143 S	10/2004	Lee et al.
D498,204 S	11/2004	Sato

\* cited by examiner

*Primary Examiner*—Robert M. Spear

(57) **CLAIM**

The ornamental design for a tire tread, as shown and described.

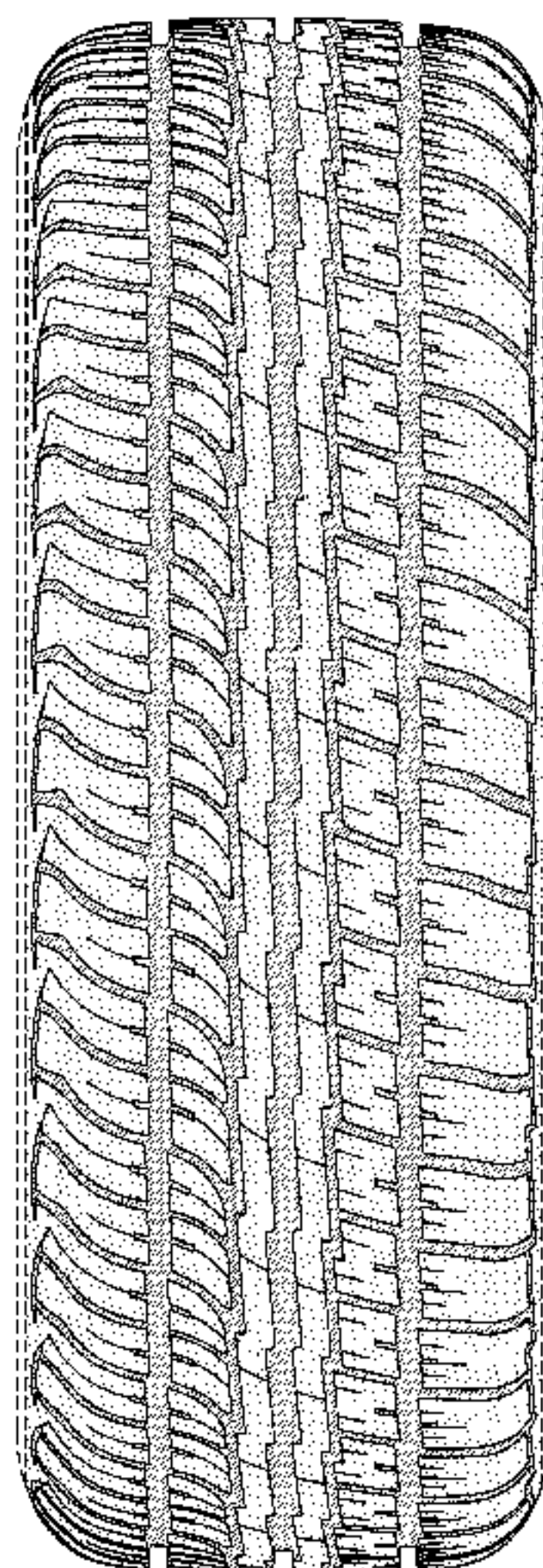
**DESCRIPTION**

FIG. 1 is a side perspective view of a tire tread showing my new design, it being understood that the tread pattern is repeated throughout the circumference of the tire tread; FIG. 2 is a front elevational view thereof; FIG. 3 is a right side elevational view; FIG. 4 is a left side elevational view; and, FIG. 5 is an enlarged fragmentary front elevational view thereof.

The broken lines defining the tire sidewall, inner bead, and the peripheral boundary between the claimed tire tread and sidewall are for illustrative purposes only and form no part of the claimed design.

In the drawings, the dark stippled surface shading represents the recessed portion of the tread grooves, having the depth shown at the top and bottom of FIG. 2.

**1 Claim, 5 Drawing Sheets**





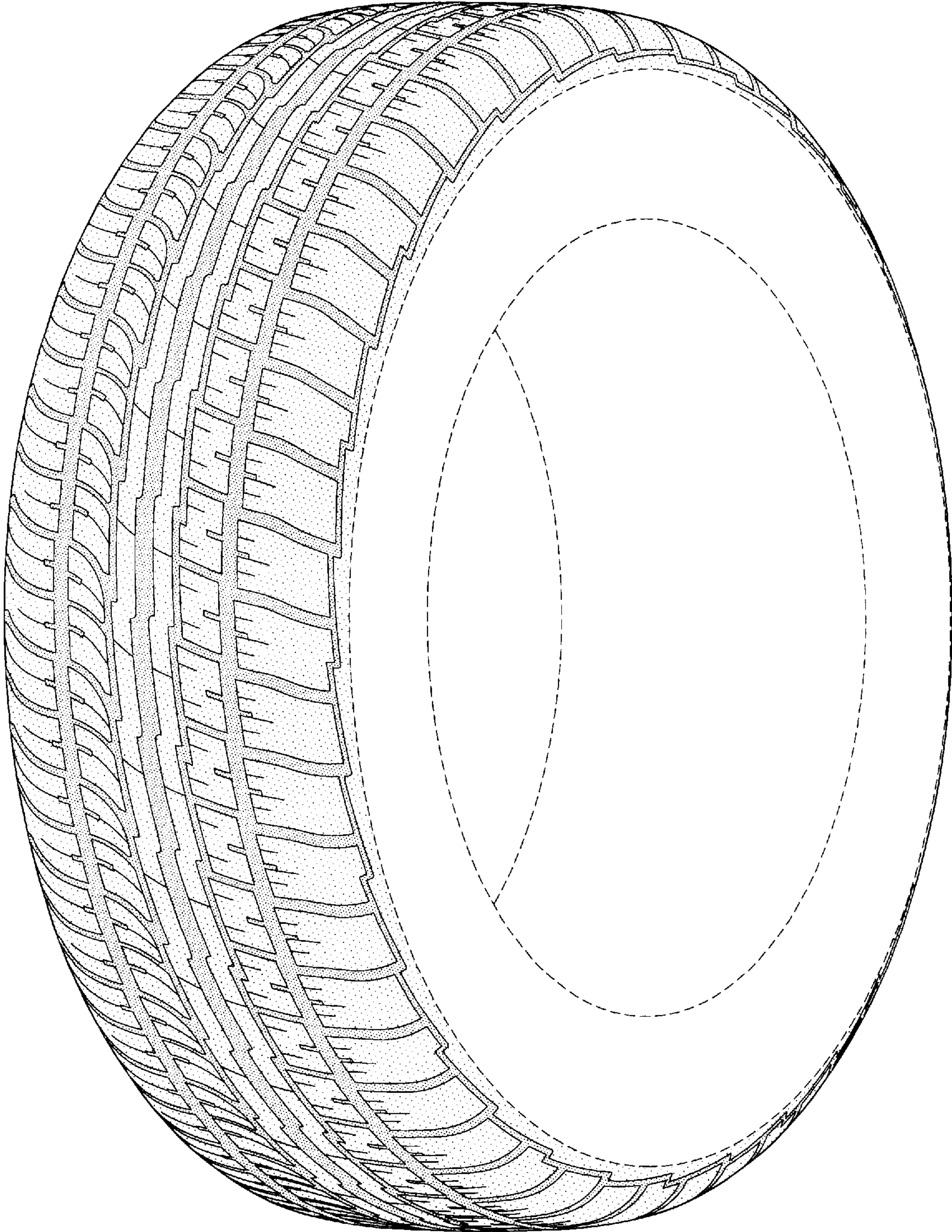


FIG-1



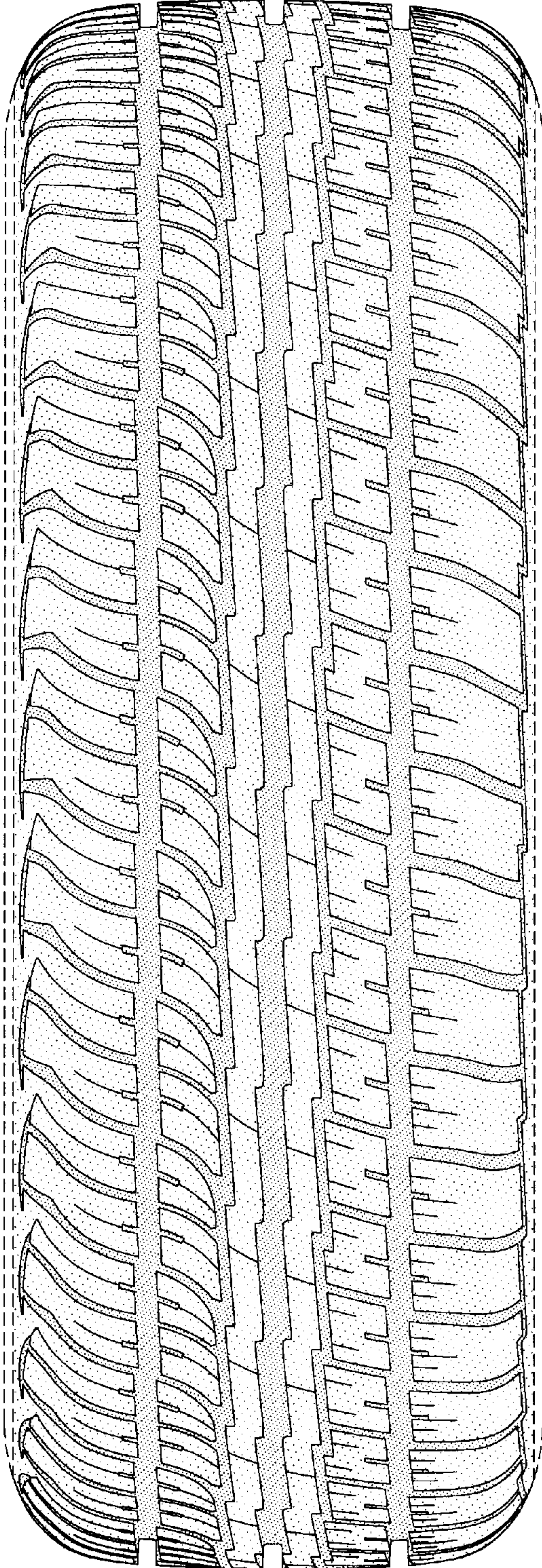


FIG-2

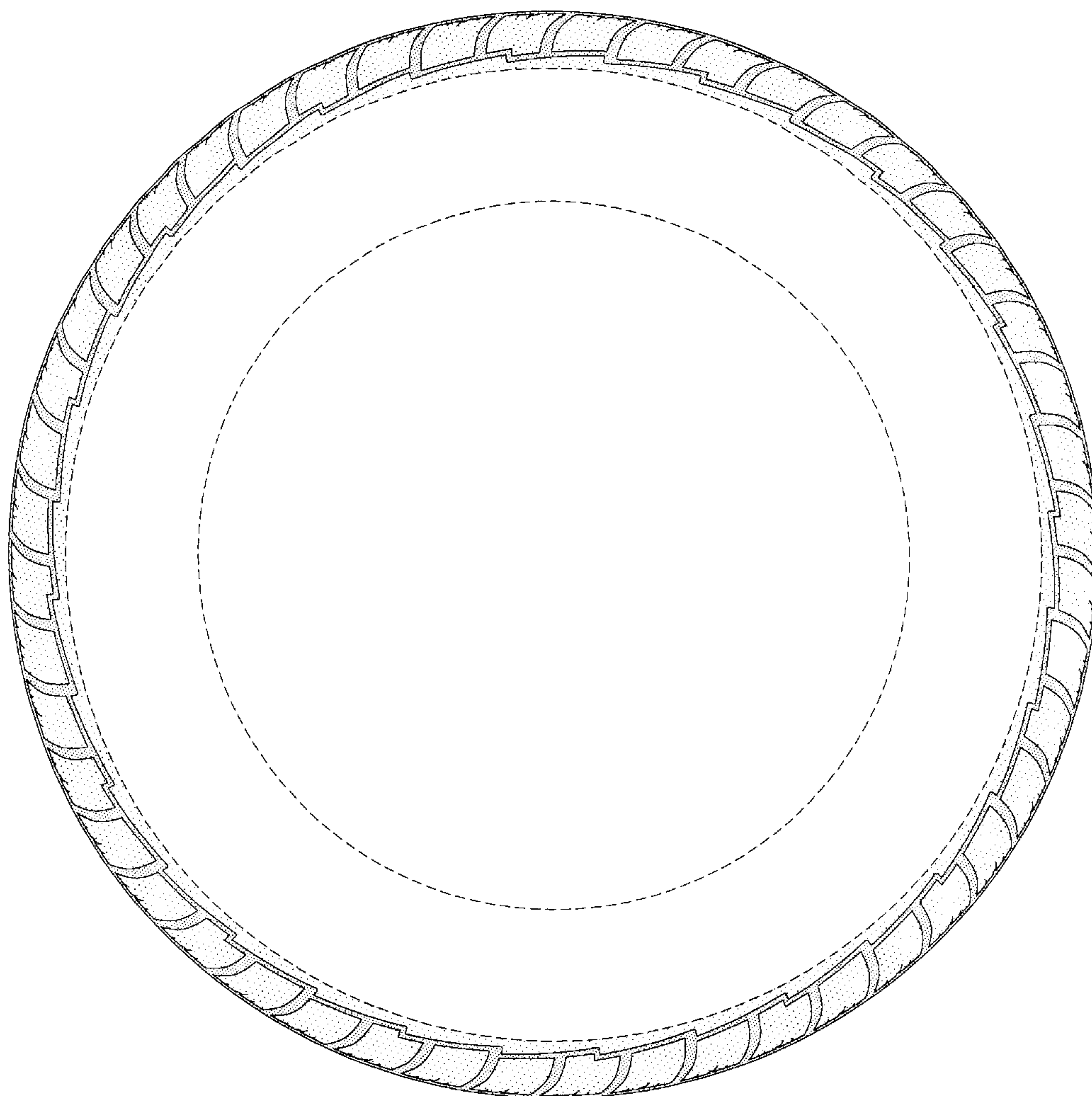


FIG-3



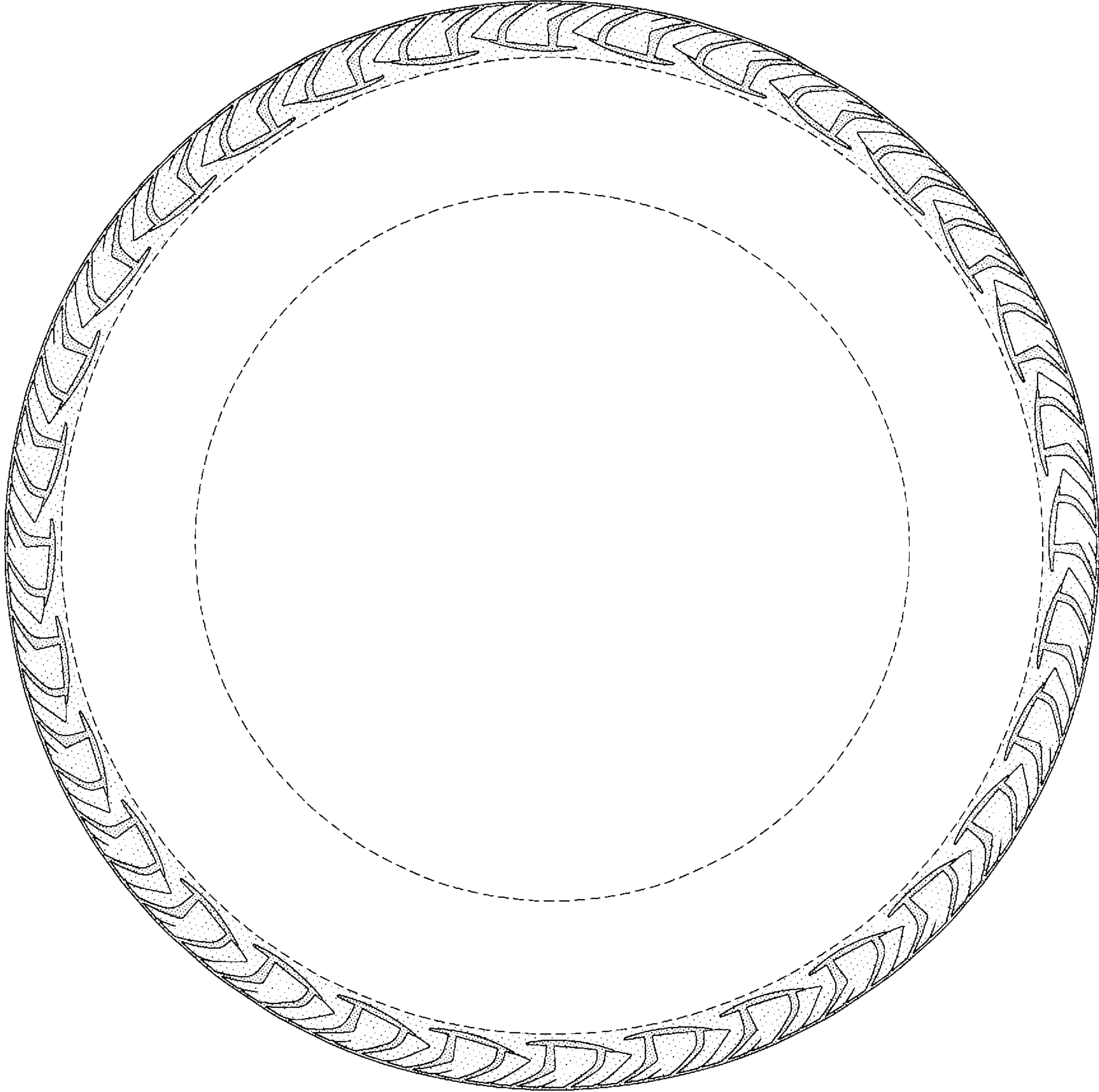


FIG-4

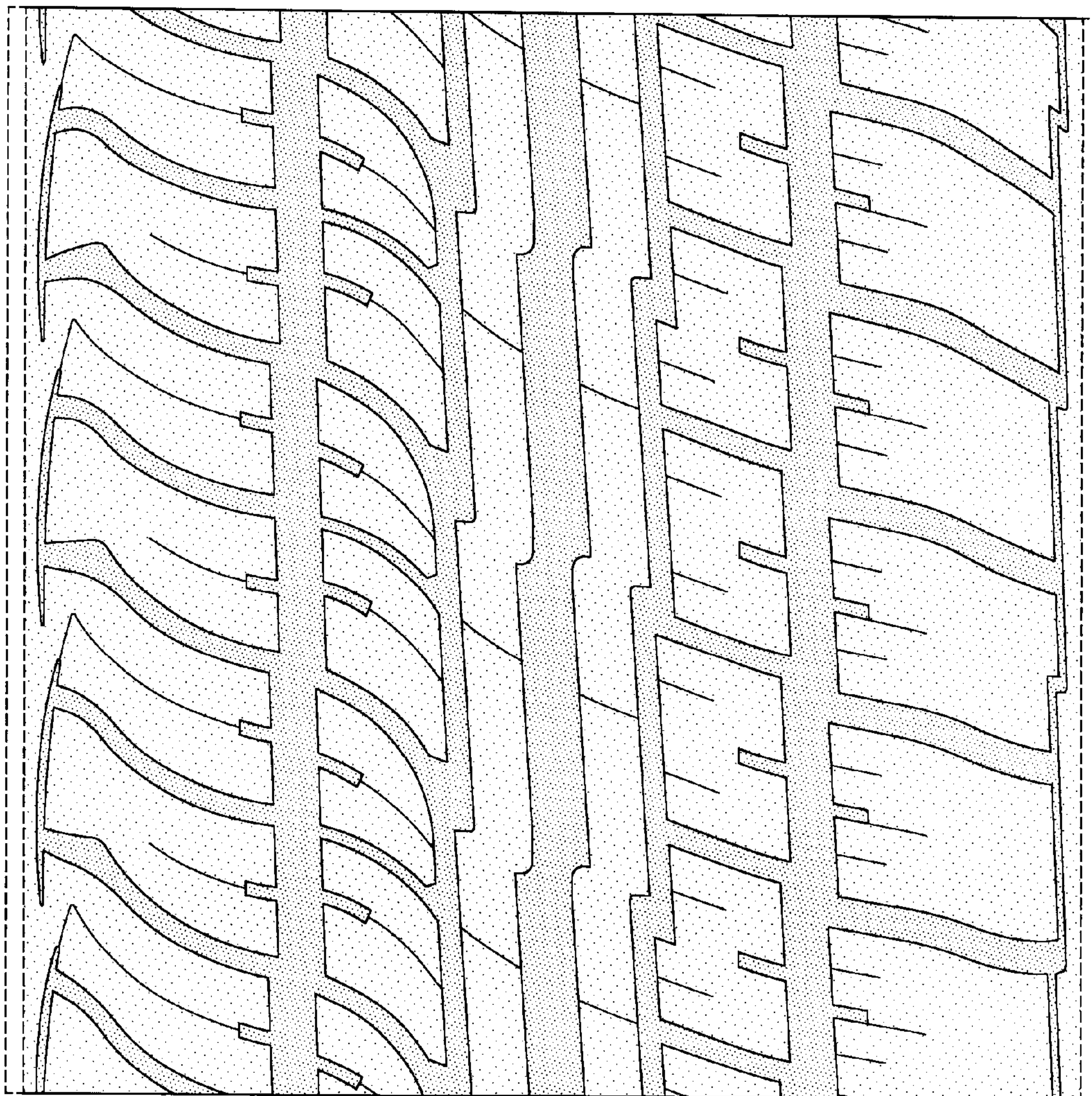


FIG-5