

US00D524719S

(12) **United States Design Patent** (10) **Patent No.:** **US D524,719 S**
Hubbell et al. (45) **Date of Patent:** **** Jul. 11, 2006**

(54) **TIRE TREAD**

(75) Inventors: **Joseph Kevin Hubbell**, Akron, OH (US); **Graham Alexander Carney**, Cuyahoga Falls, OH (US); **Michael Christopher Kulton**, Wadsworth, OH (US); **Thomas Charles Lippello, III**, Fairlawn, OH (US); **Mark Anthony Canankamp**, Akron, OH (US)

(73) Assignee: **The Goodyear Tire & Rubber Company**, Akron, OH (US)

(**) Term: **14 Years**

(21) Appl. No.: **29/224,175**

(22) Filed: **Feb. 25, 2005**

(51) **LOC (8) Cl.** **12-15**

(52) **U.S. Cl.** **D12/509; D12/510; D12/528**

(58) **Field of Classification Search** **D12/505, D12/509, 512, 514-524, 526-532; 152/209.1, 152/209.8, 455**

See application file for complete search history.

(56) **References Cited**

U.S. PATENT DOCUMENTS

| | | | | | | |
|-----------|----|---|---------|-----------------|-------|-----------|
| 3,155,135 | A | * | 11/1964 | Klenk | | 152/209.8 |
| D271,753 | S | | 12/1983 | Newton | | 12/140 |
| 4,936,364 | A | * | 6/1990 | Kajiwara et al. | | 152/209.2 |
| 4,953,604 | A | * | 9/1990 | Shepler et al. | | 152/209.8 |
| 5,002,109 | A | * | 3/1991 | Shepler et al. | | 152/209.8 |
| D342,223 | S | * | 12/1993 | McKisson et al. | | D12/520 |
| 6,786,257 | B1 | * | 9/2004 | Koide | | 152/209.1 |

OTHER PUBLICATIONS

Greenball Flat Trak Knobby ATV Tire, 2004 Tread Design Guide, Jan. 2004, p. 204. 3/1.*

Mitas K-02 Go-Kart Tire, 2004 Tread Design Guide, Jan. 2004, p. 213. 3/4.*

Titan Turf Tamer ATV Tire, 2004 Tread Design Guide, Jan. 2004, p. 215. 4/4.*

* cited by examiner

Primary Examiner—Robert M. Spear

(74) *Attorney, Agent, or Firm*—Richard B. O'Planick

(57) **CLAIM**

The ornamental design for a tire tread, as shown and described.

DESCRIPTION

FIG. 1 is a perspective view of a tire tread showing our new design, it being understood that the pattern repeats uniformly throughout the circumference of the tread;

FIG. 2 is a front elevational view thereof;

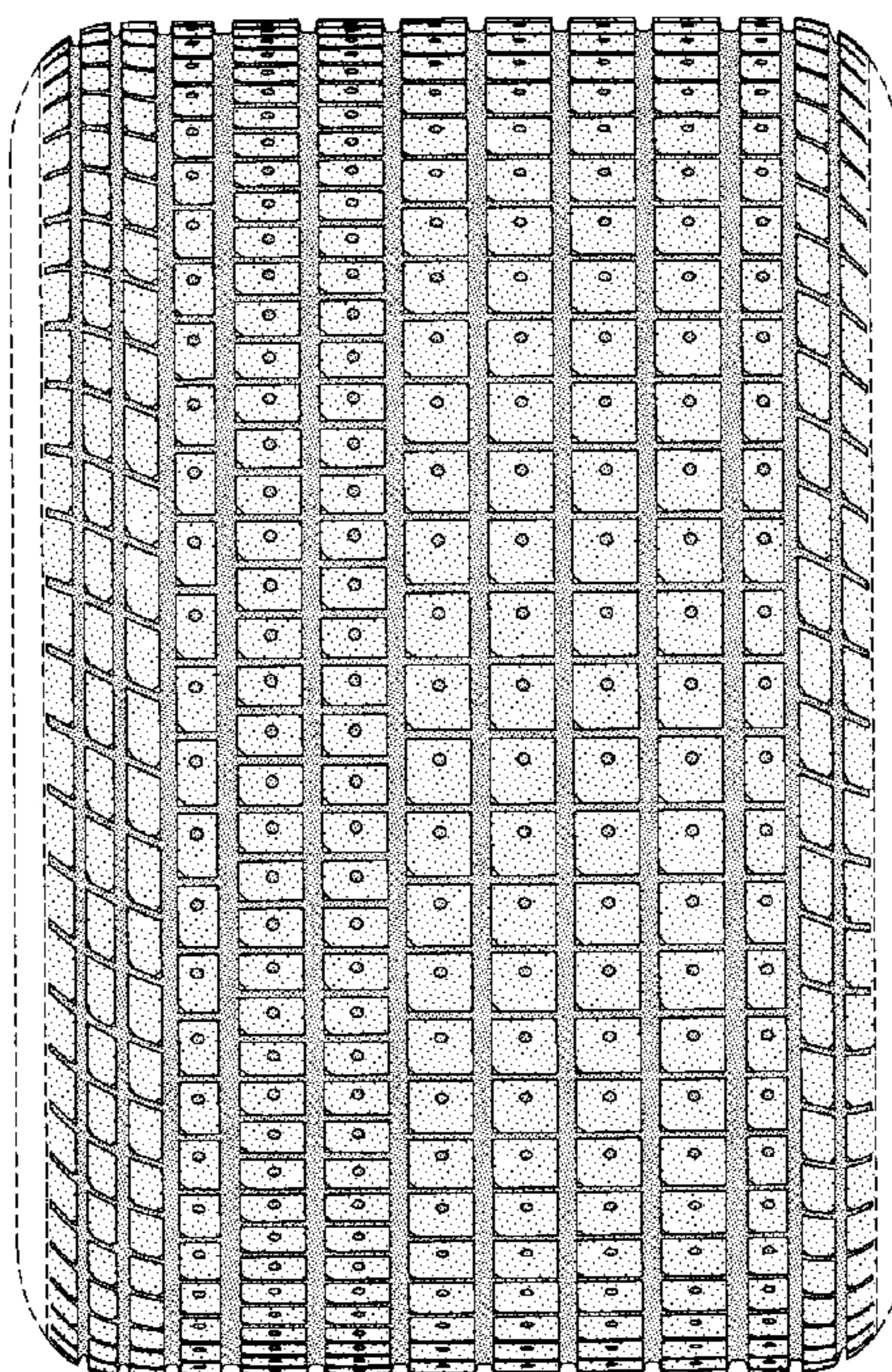
FIG. 3 is a right side elevational view thereof; the opposite side elevational view being identical thereto; and,

FIG. 4 is an enlarged fragmentary front elevational view thereof.

In the drawings, the broken lines defining the sidewall, inner bead and the peripheral boundary between the tire tread and the sidewall are for illustrative purposes only and form no part of the claimed design.

In the drawings, the dark stippled surface shading represents the recessed portion of the tread grooves, having the depth shown at the top and bottom of FIG. 2.

1 Claim, 4 Drawing Sheets



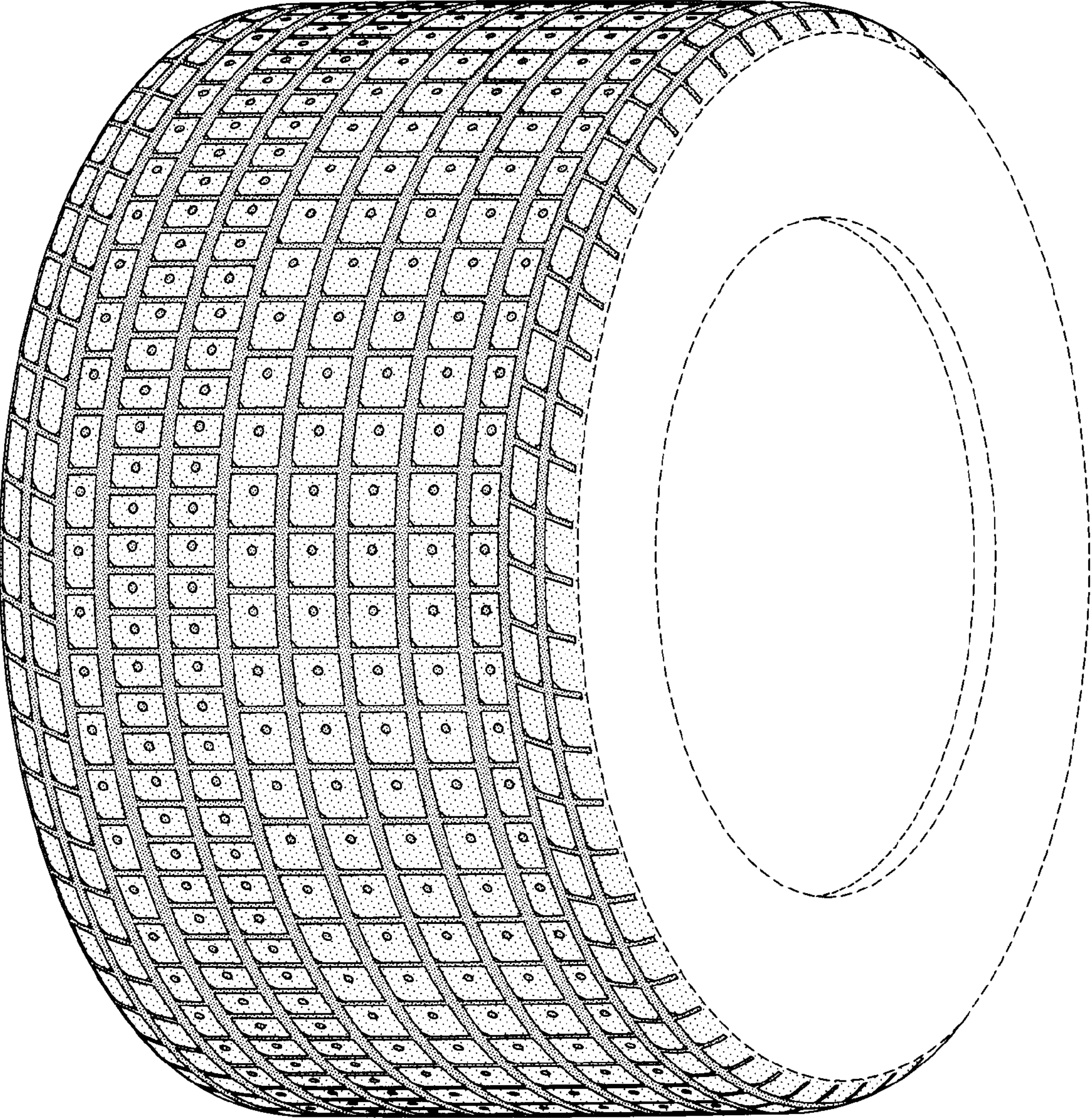


FIG-1

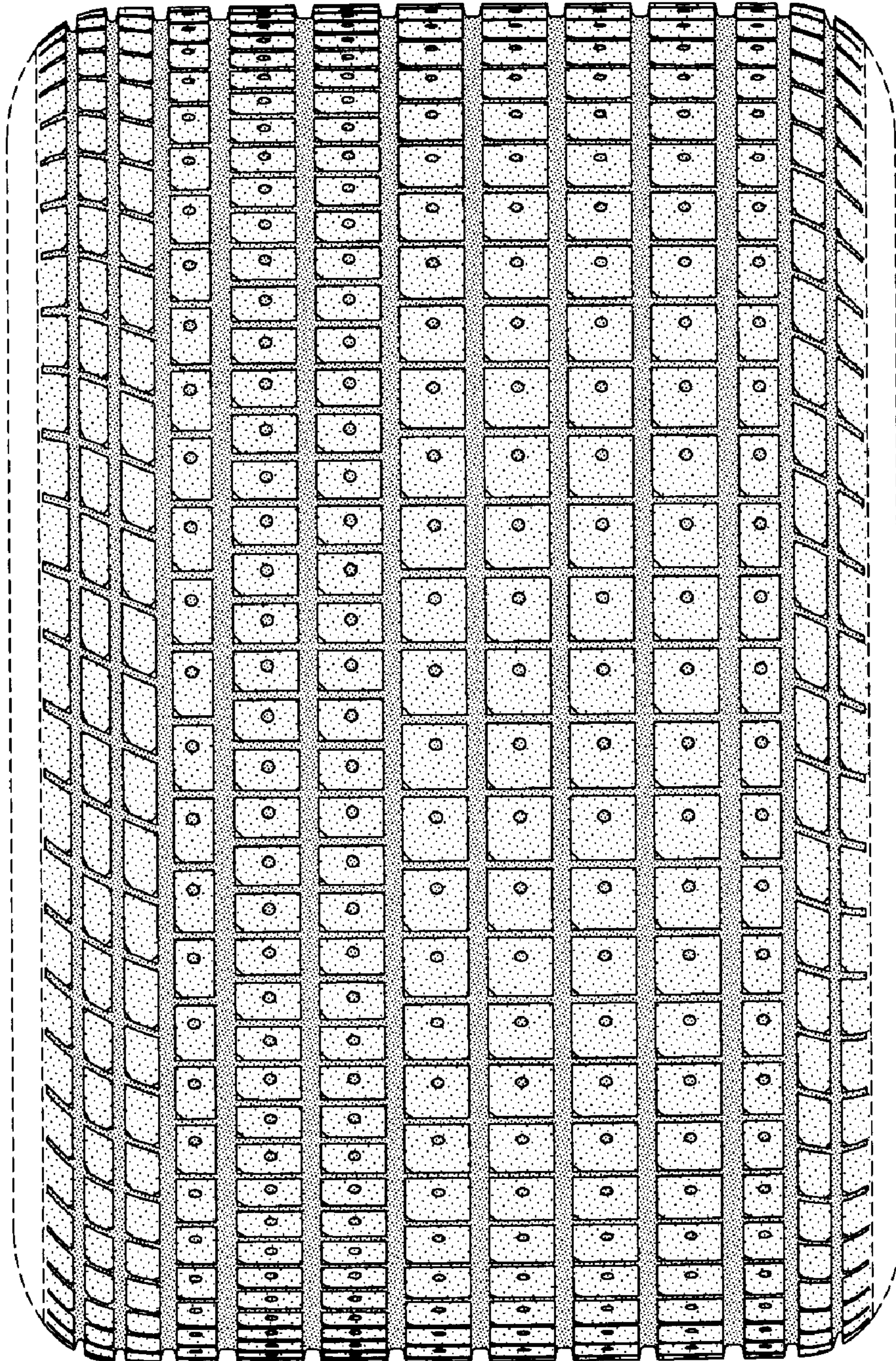


FIG-2

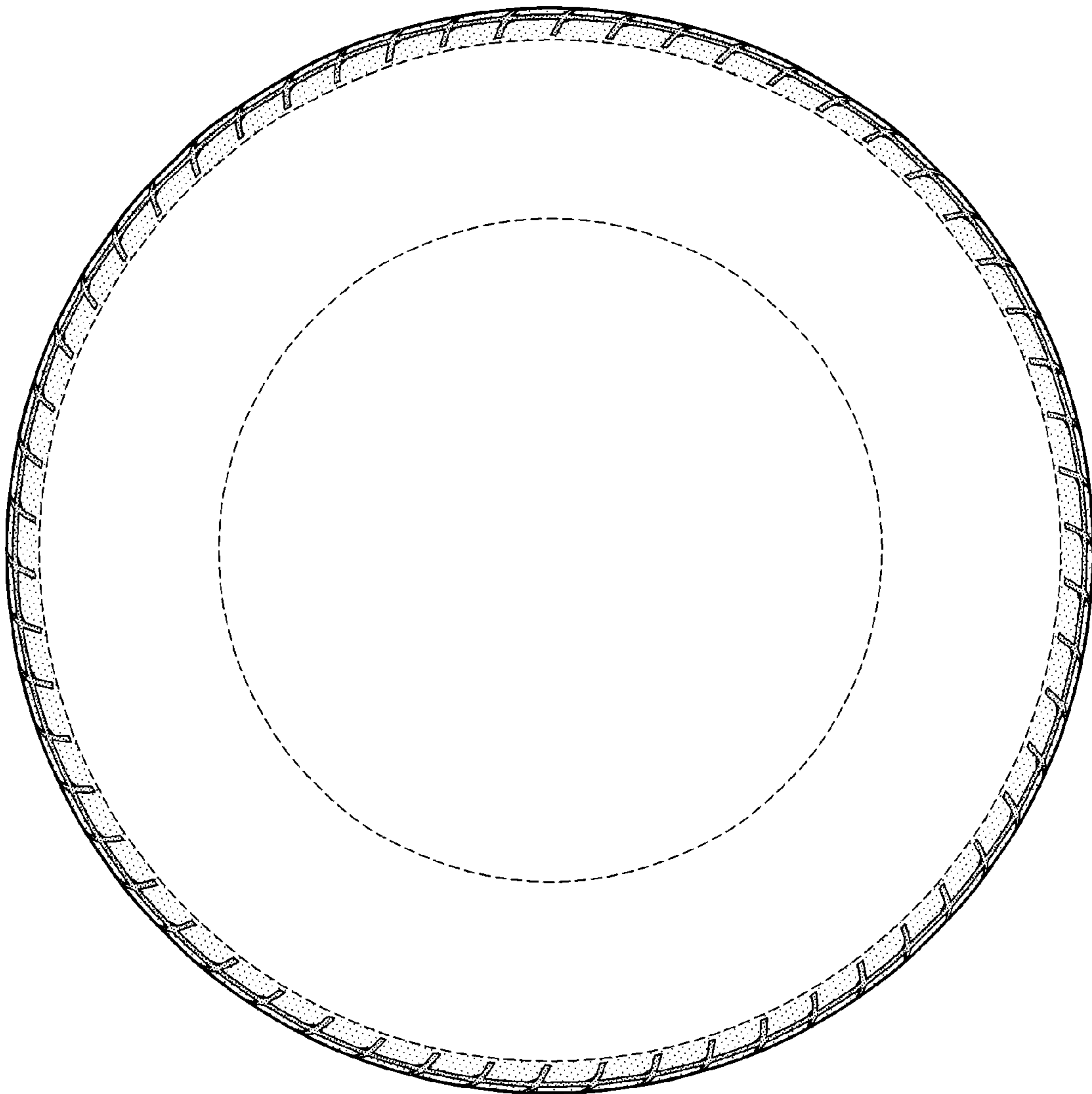


FIG-3

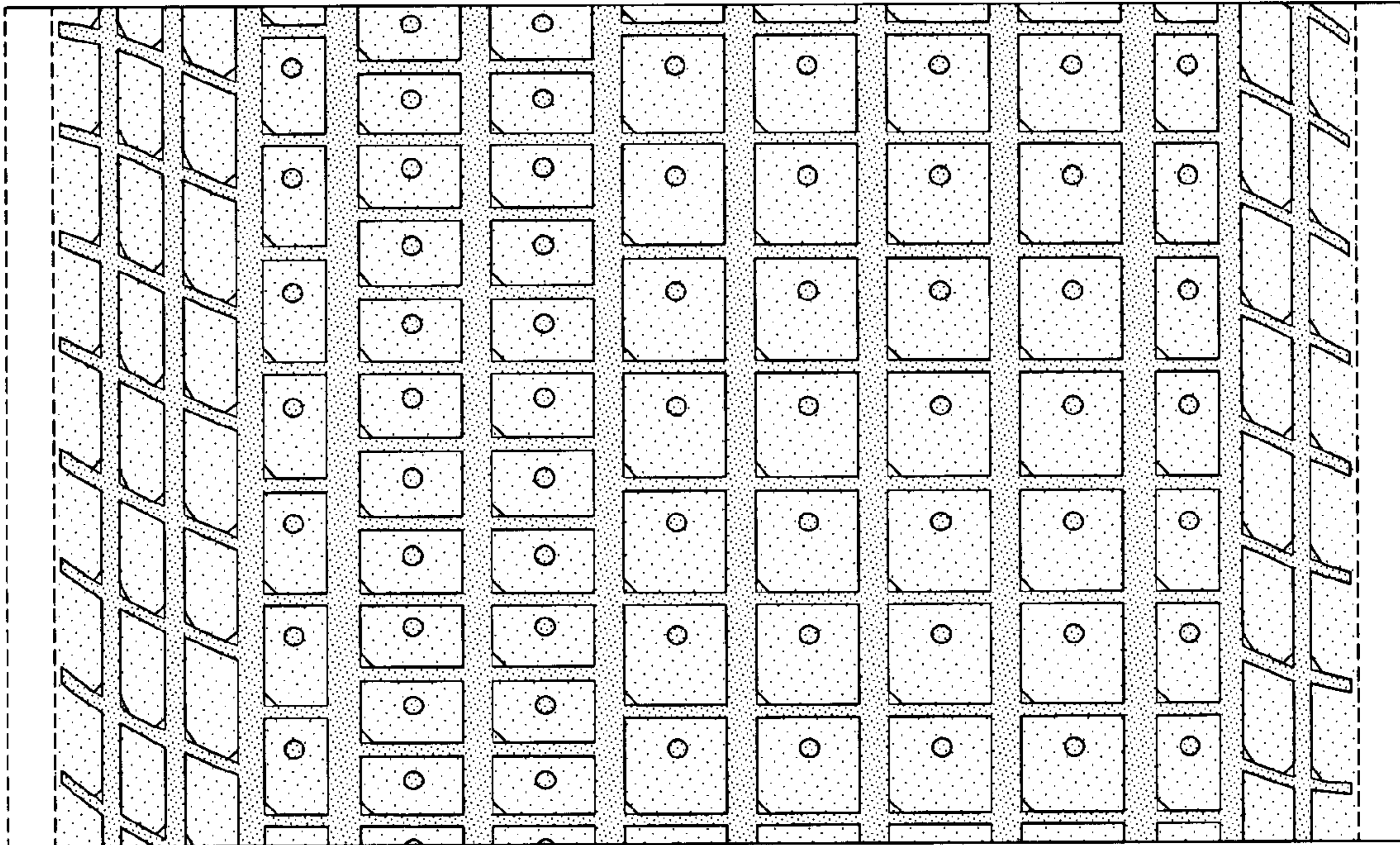


FIG-4