

US00D524716S

(12) **United States Design Patent**
Hill

(10) **Patent No.:** **US D524,716 S**

(45) **Date of Patent:** **** Jul. 11, 2006**

(54) **TROLLING MOTOR MOUNT FOR PLEASURE BOATS**

(76) Inventor: **David R. Hill**, 3424 Schooner Dr., Stockton, CA (US) 95219

(**) Term: **14 Years**

(21) Appl. No.: **29/222,704**

(22) Filed: **Feb. 3, 2005**

(51) **LOC (8) Cl.** **12-06**

(52) **U.S. Cl.** **D12/317; D8/354**

(58) **Field of Classification Search** D12/300-318;
248/640; 224/501, 502, 516, 519, 533, 535;
440/113; 114/343; D8/354

See application file for complete search history.

(56) **References Cited**

U.S. PATENT DOCUMENTS

2,592,050	A	*	4/1952	McCharen	224/516
4,136,806	A	*	1/1979	Wisiz	224/533
4,676,414	A	*	6/1987	Deguevara	224/535
4,842,239	A	*	6/1989	Kinsey et al.	248/640
5,021,016	A	*	6/1991	Currey	440/113
5,067,641	A	*	11/1991	Johnson et al.	224/501
D322,423	S	*	12/1991	Greenberg	D12/317
5,320,324	A	*	6/1994	Norton	248/640
D363,695	S	*	10/1995	Sargent	D12/317

6,189,754 B1 * 2/2001 Cutajar et al. 224/519
2002/0098752 A1 * 7/2002 Fischer 440/113

* cited by examiner

Primary Examiner—Holly Baynham

Assistant Examiner—Cynthia M. Chin

(74) *Attorney, Agent, or Firm*—Basil Travis; Patent & Trademark Attorney

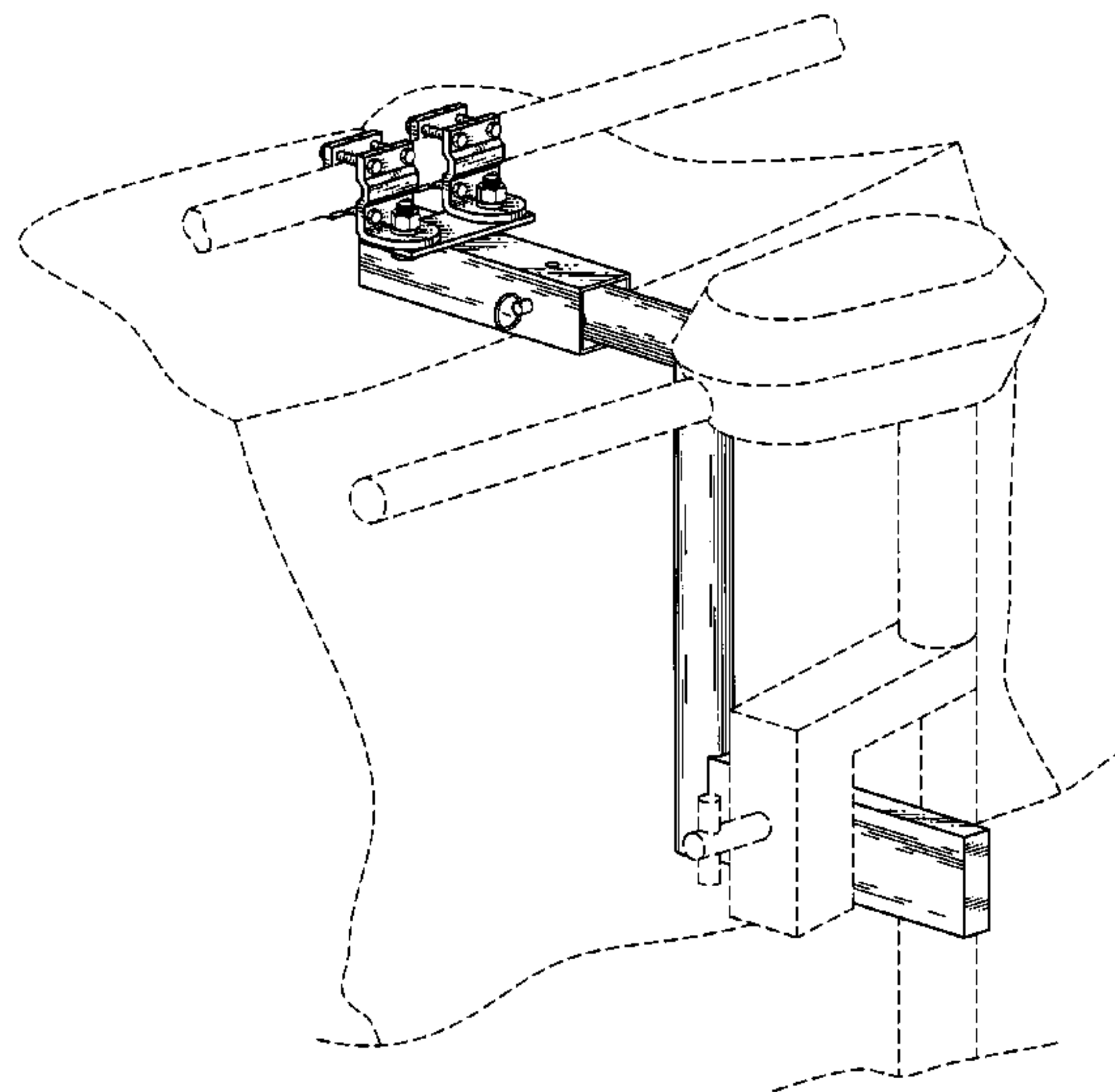
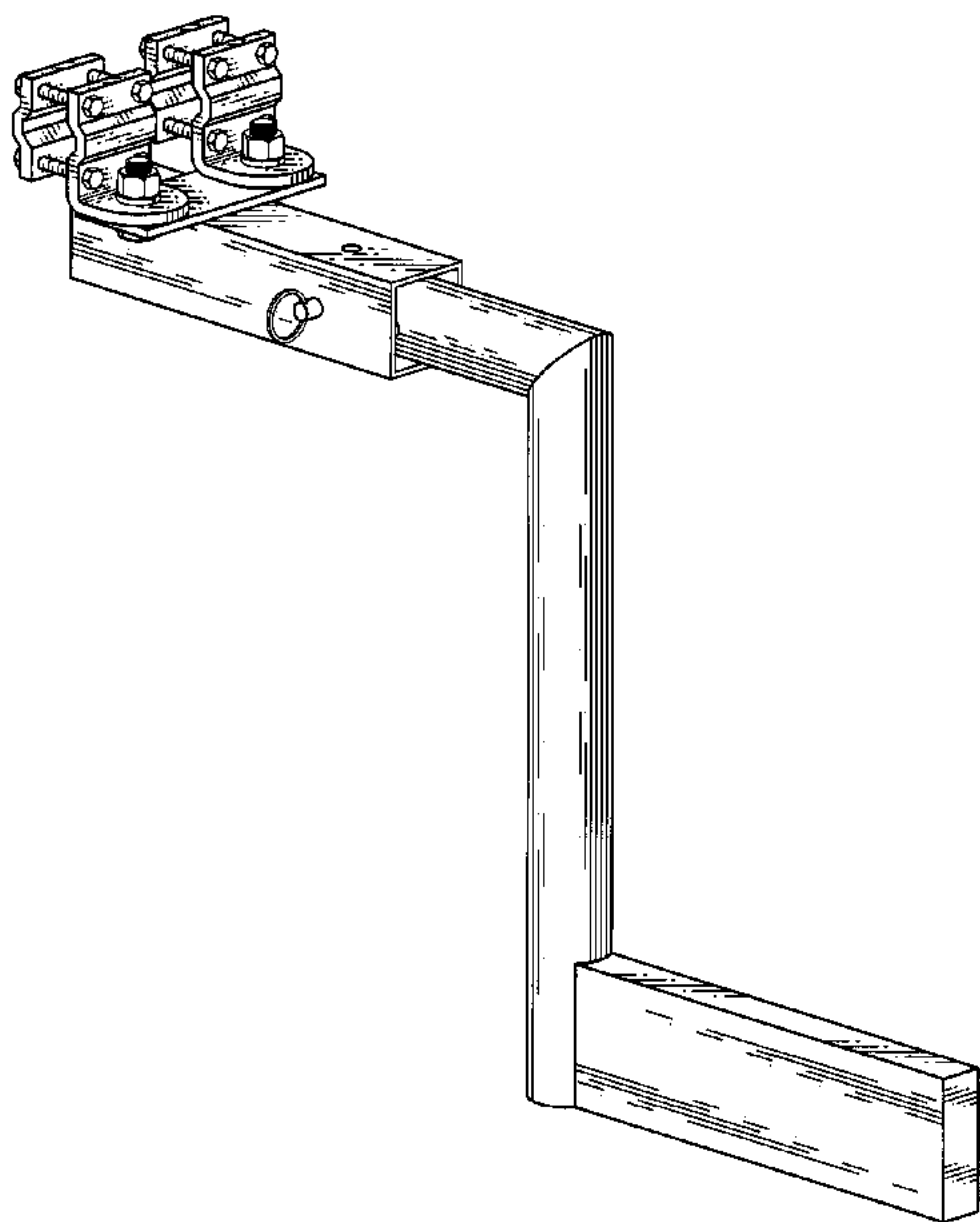
(57) **CLAIM**

The ornamental design for a trolling motor mount for pleasure boats, as shown and described.

DESCRIPTION

FIG. 1 is a rear, right side and top perspective view of my new design of a trolling motor mount for pleasure boats
FIG. 2 is a rear elevational view;
FIG. 3 is a right side view;
FIG. 4 is a top plan view;
FIG. 5 is a bottom plan view;
FIG. 6 is a front elevational view;
FIG. 7 is a left side view; and,
FIG. 8 is a reduced perspective view, the broken lines illustrating a portion of a pleasure boat and trolling motor attached are for illustrative purposes and form no part of the claimed design.

1 Claim, 3 Drawing Sheets



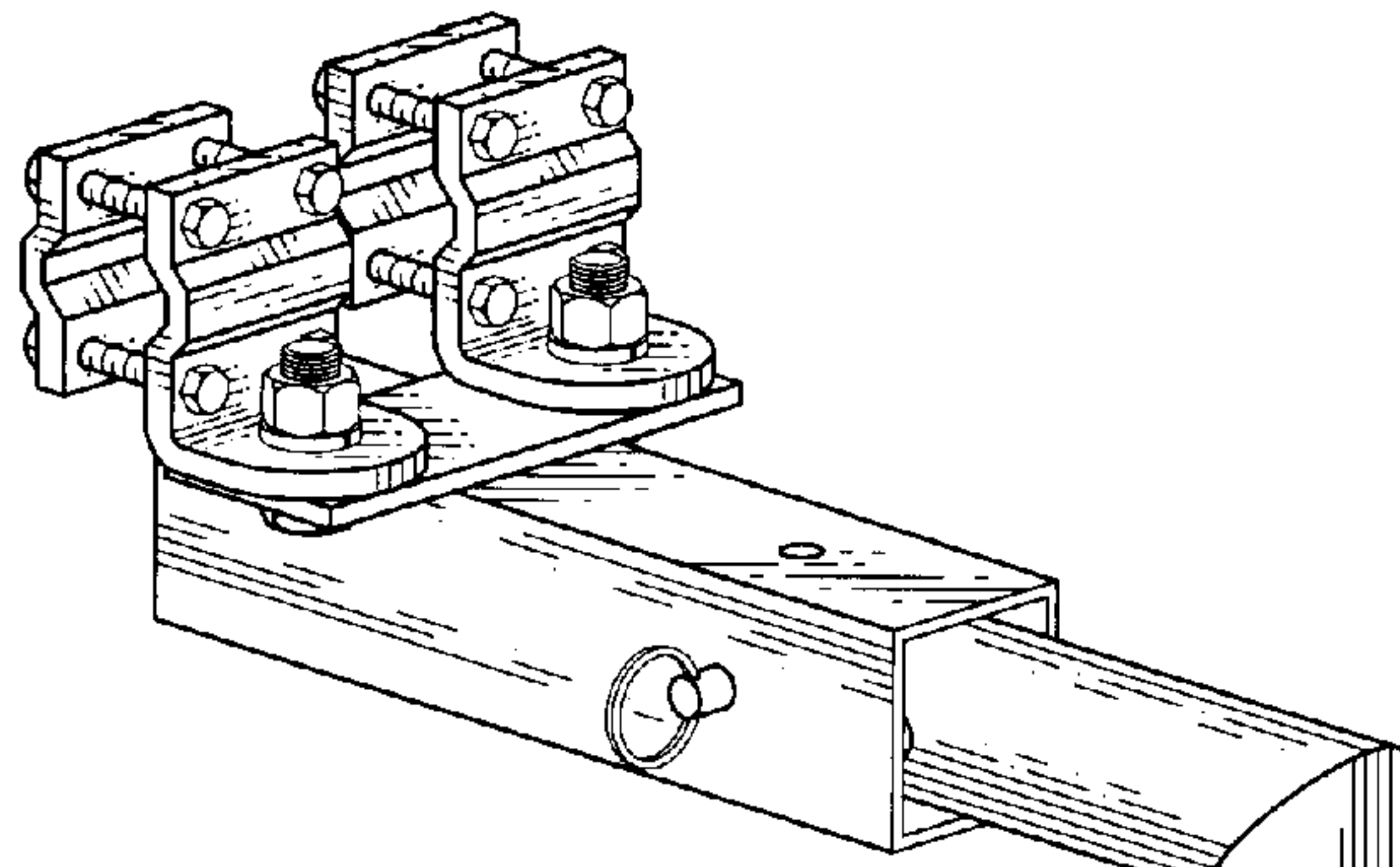


Fig. 1

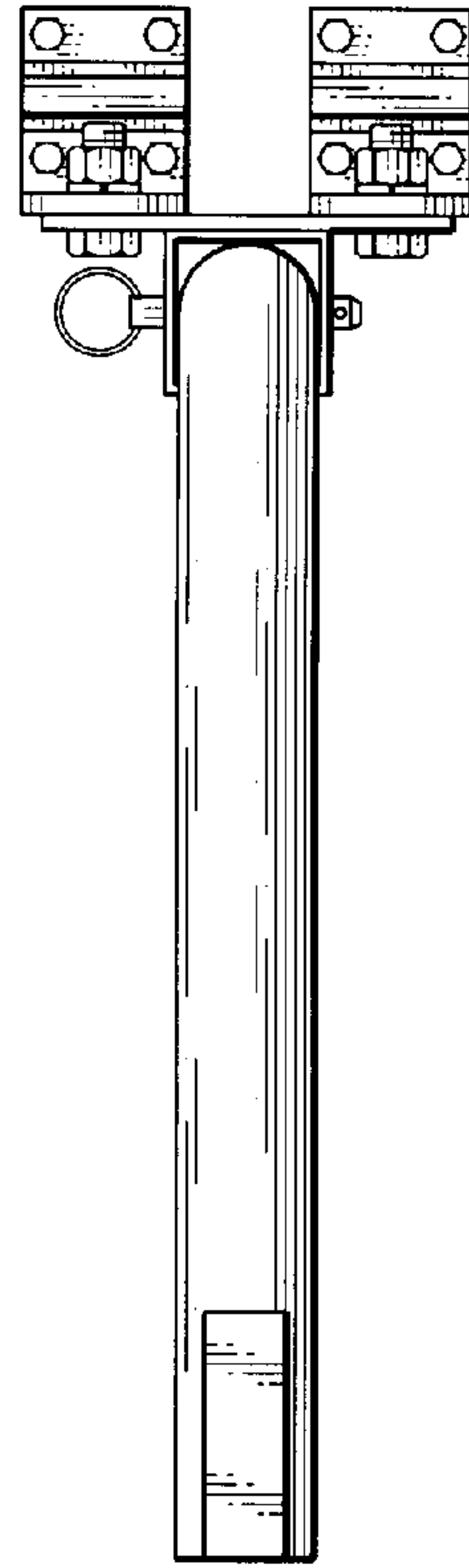


Fig. 3

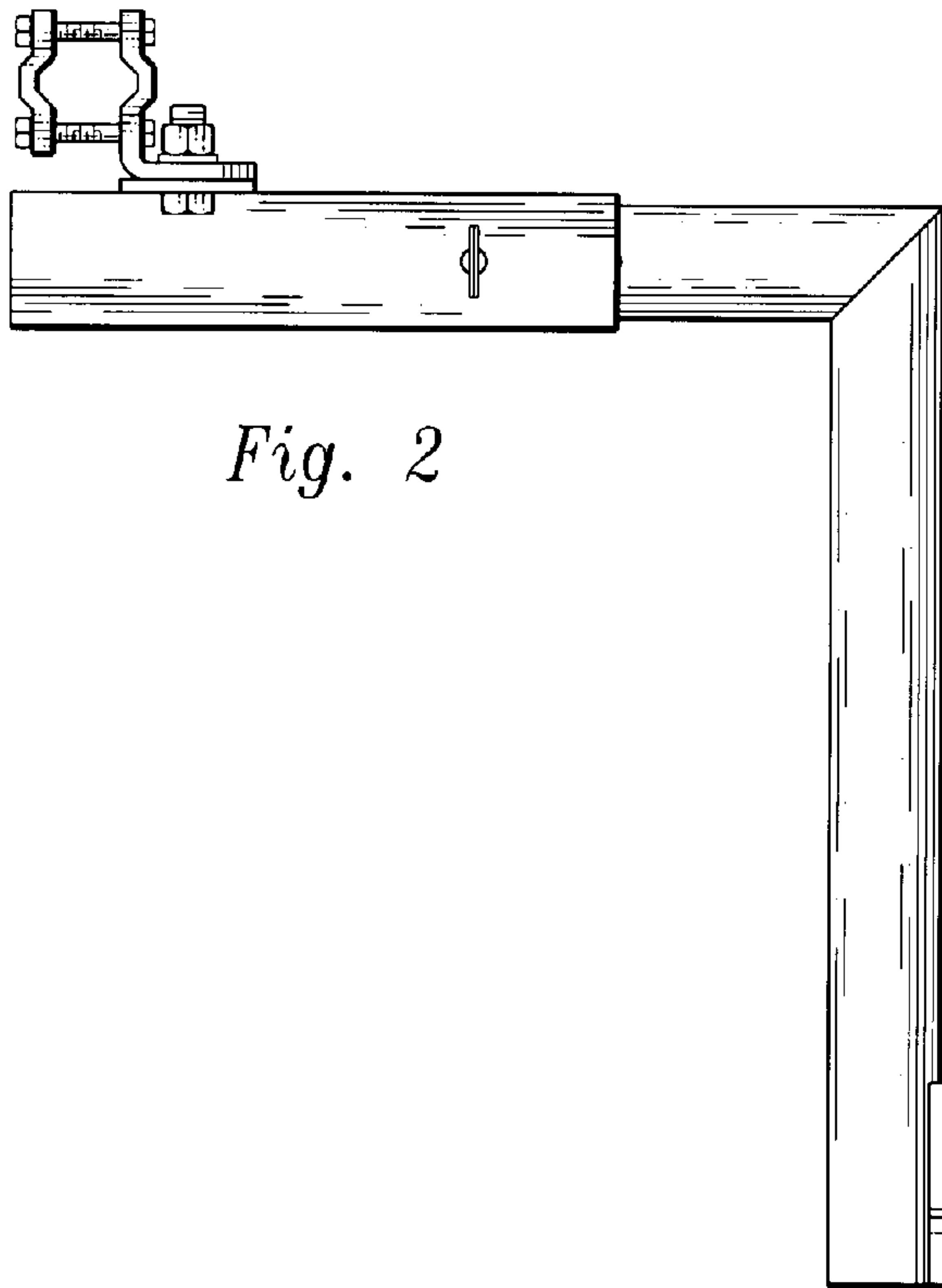


Fig. 2

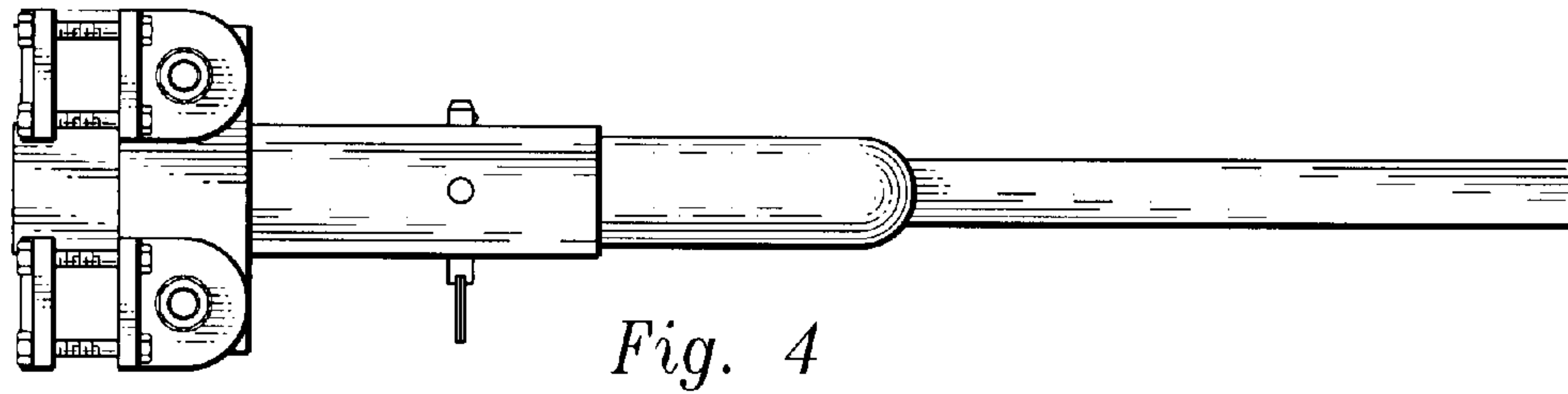


Fig. 4

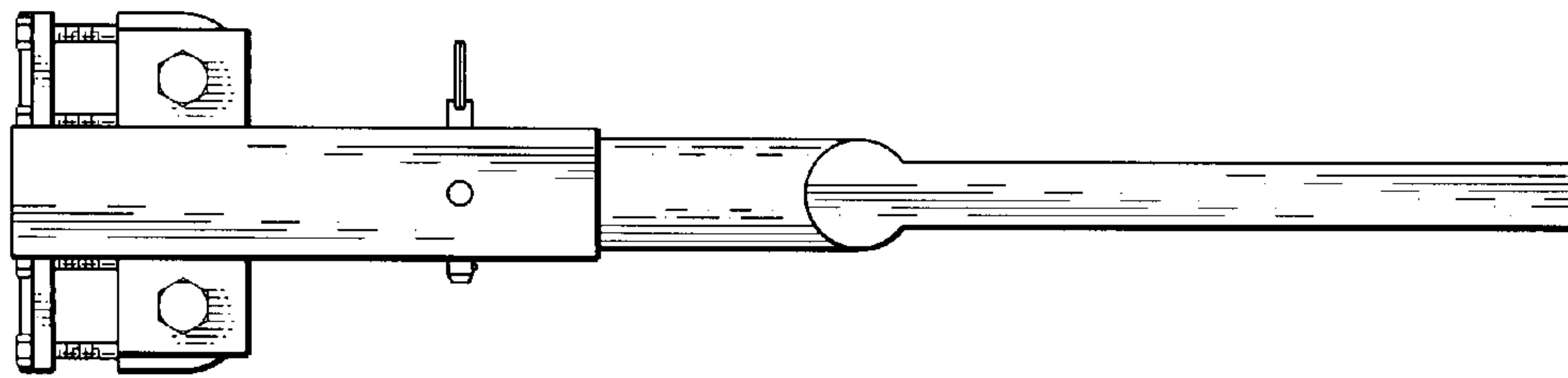


Fig. 5

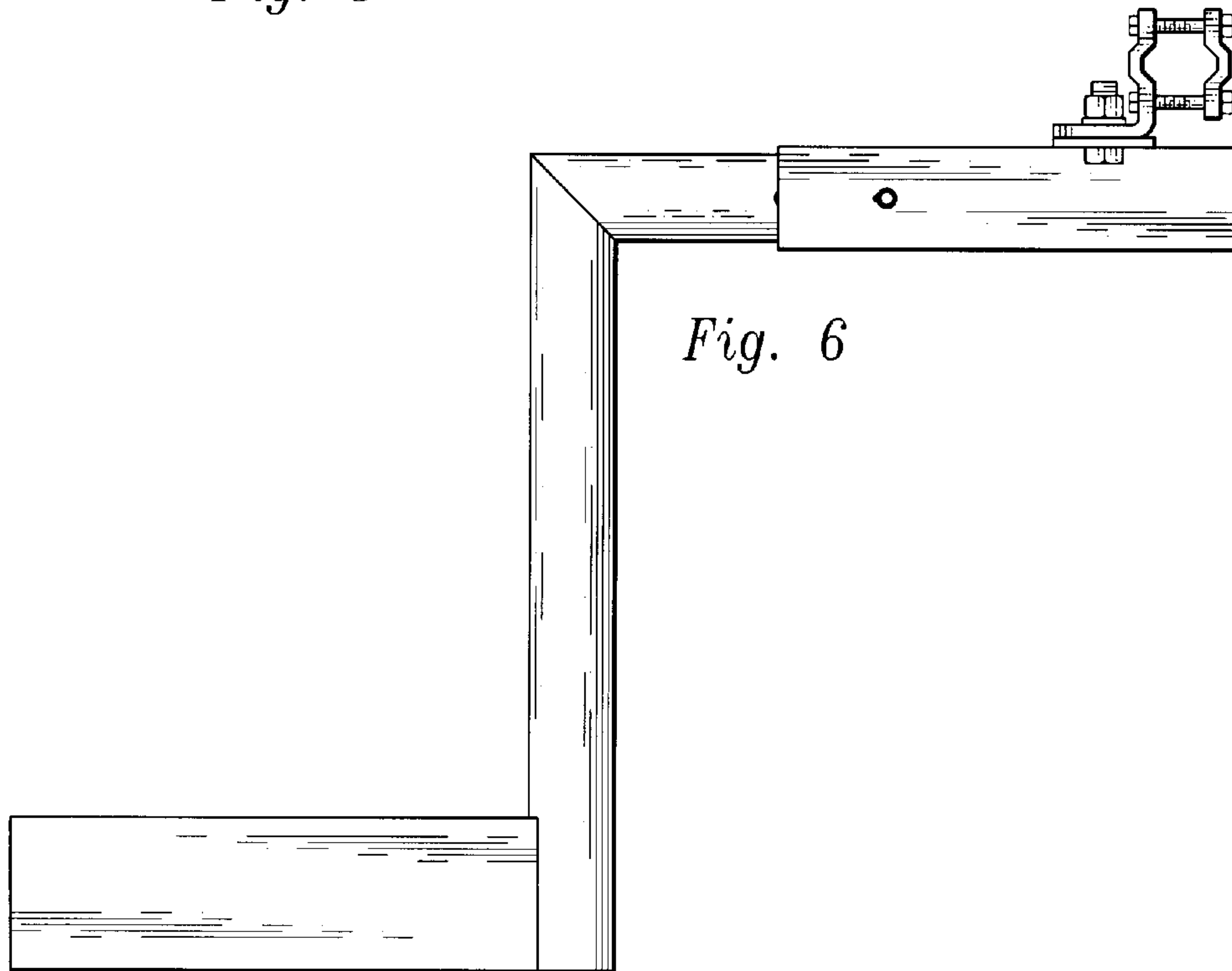


Fig. 6

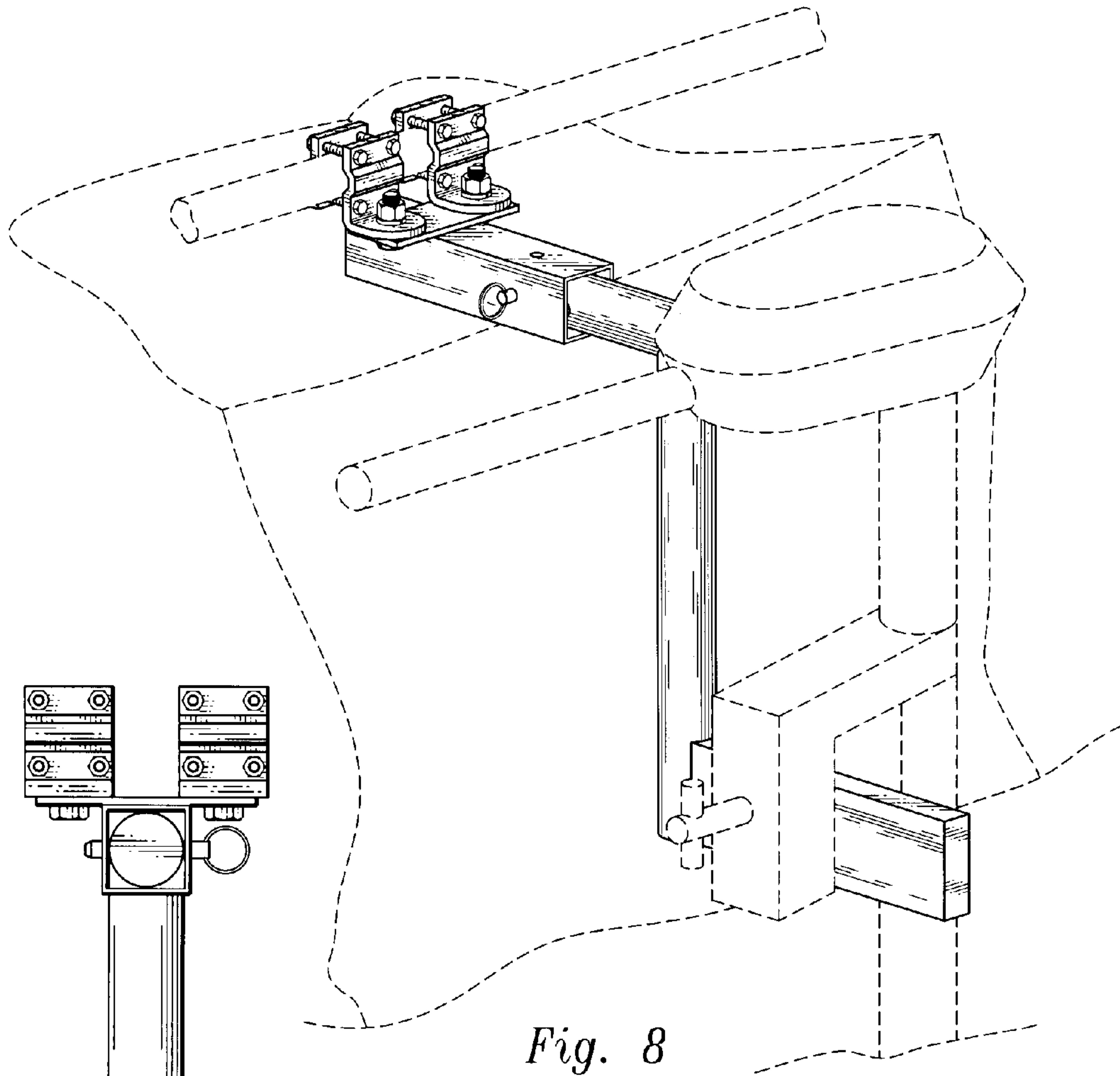


Fig. 8

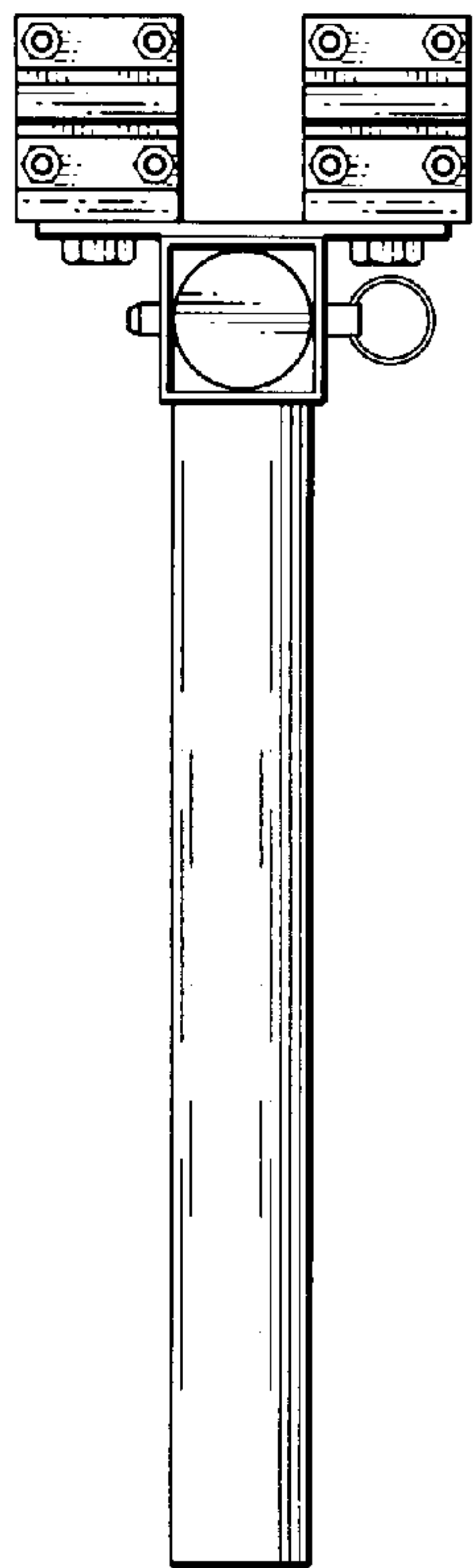


Fig. 7