



US00D524714S

(12) **United States Design Patent**
Barbeito

(10) **Patent No.:** **US D524,714 S**
(45) **Date of Patent:** **** Jul. 11, 2006**

- (54) **BOAT**
- (75) Inventor: **Arturo M. Barbeito**, Miami, FL (US)
- (73) Assignee: **Ocean Spirit Racing Corporation**,
Coral Gables, FL (US)
- (**) Term: **14 Years**
- (21) Appl. No.: **29/227,150**
- (22) Filed: **Apr. 8, 2005**
- (51) **LOC (8) Cl.** **12-06**
- (52) **U.S. Cl.** **D12/300**
- (58) **Field of Classification Search** D12/300-318;
114/56, 61, 144 E, 249, 283, 343, 364
See application file for complete search history.

- D407,366 S * 3/1999 Badsey D12/300
- 6,026,759 A * 2/2000 Hazelett et al. 114/144 E
- D429,682 S * 8/2000 Garland et al. D12/315
- D482,648 S * 11/2003 Eck et al. D12/300
- D488,117 S * 4/2004 Bills et al. D12/300

* cited by examiner

Primary Examiner—Holly Baynham
Assistant Examiner—Cynthia M. Chin
(74) *Attorney, Agent, or Firm*—Sanchelima & Assoc., P.A.

(57) **CLAIM**

The ornamental design for a boat, as shown and described.

DESCRIPTION

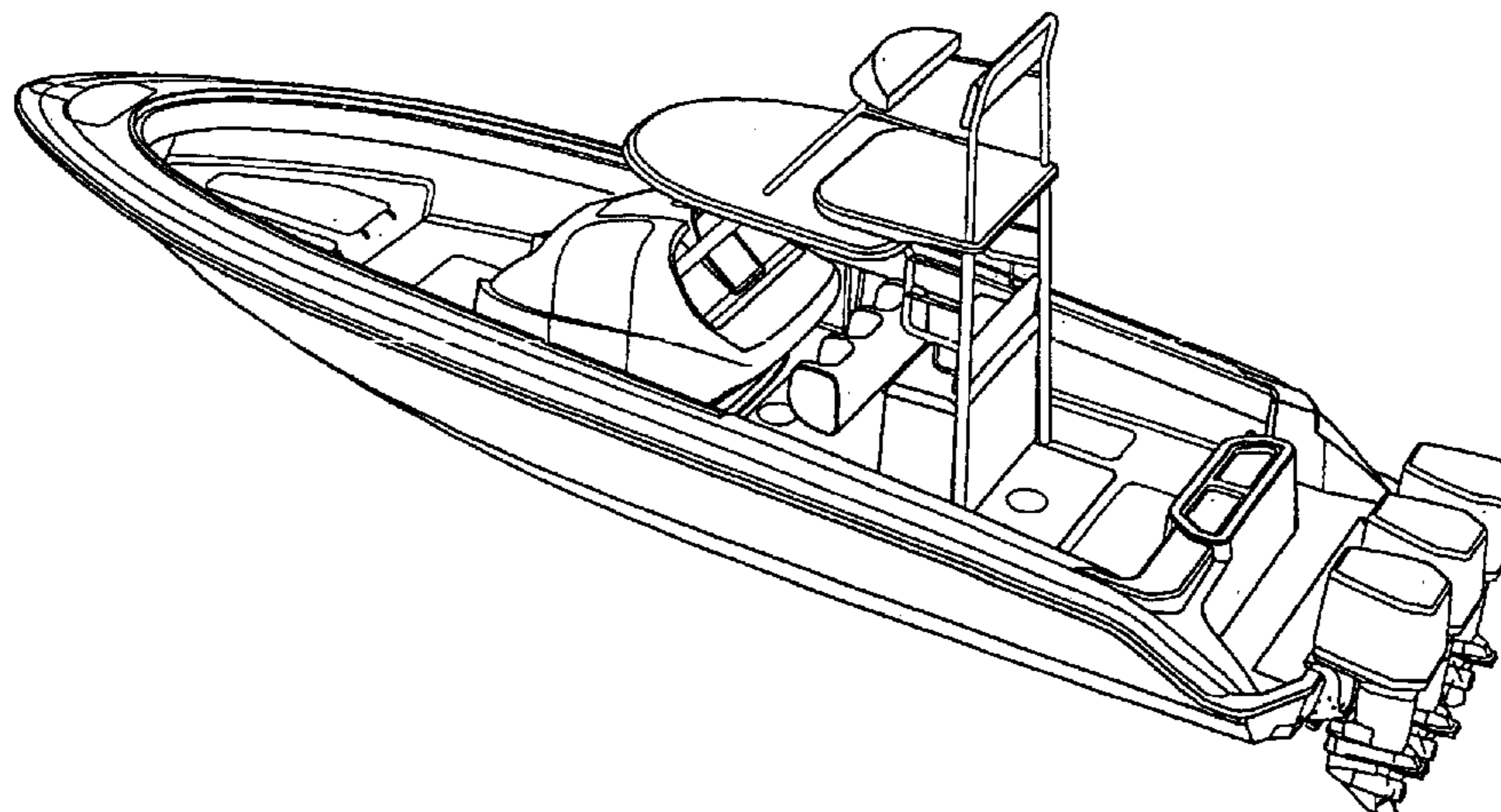
FIG. 1 is a top plan view of a design for boat showing my new design;
FIG. 2 is a front elevational view thereof;
FIG. 3 is a bottom plan view thereof;
FIG. 4 is a left side elevational view thereof;
FIG. 5 is a rear elevational view thereof;
FIG. 6 is a right elevational view thereof; and,
FIG. 7 is an isometric view thereof showing my design.

1 Claim, 7 Drawing Sheets

(56) **References Cited**

U.S. PATENT DOCUMENTS

- D261,128 S * 10/1981 Fowler D12/300
- D355,885 S * 2/1995 Dells D12/317
- 5,715,770 A * 2/1998 Heyworth 114/249
- D392,243 S * 3/1998 Anderson D12/317



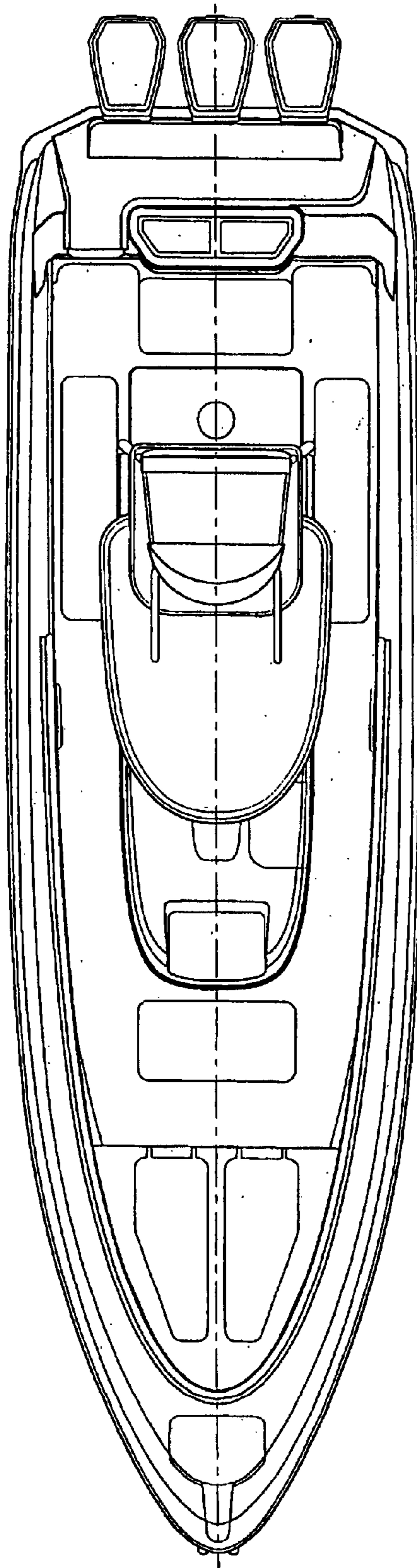


Fig 1

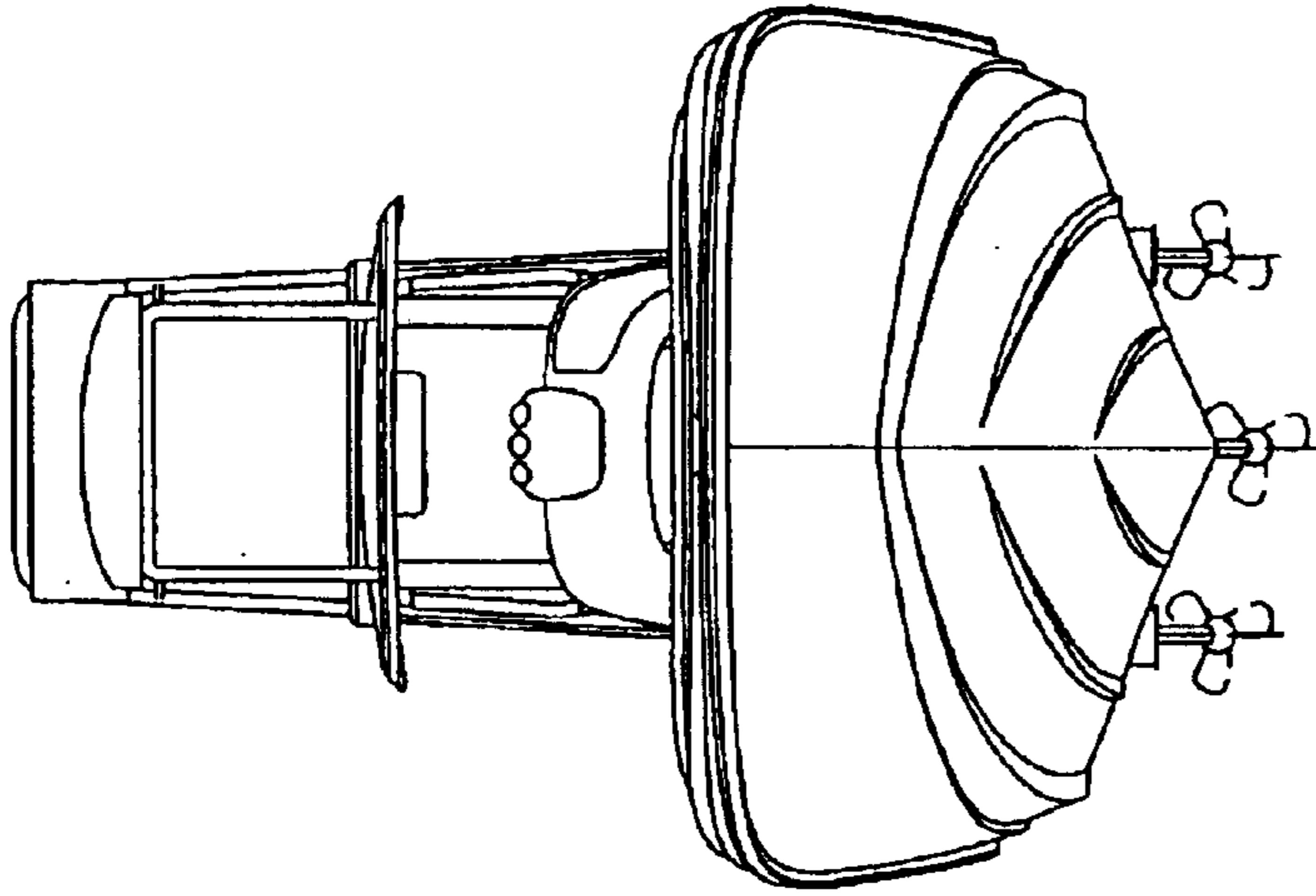


Fig 2

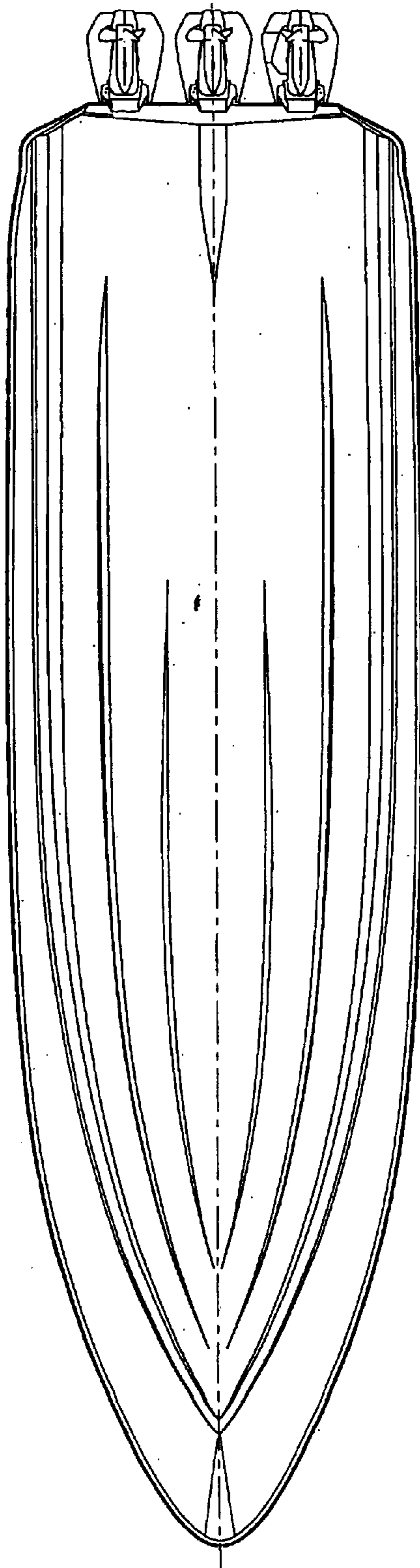


Fig 3

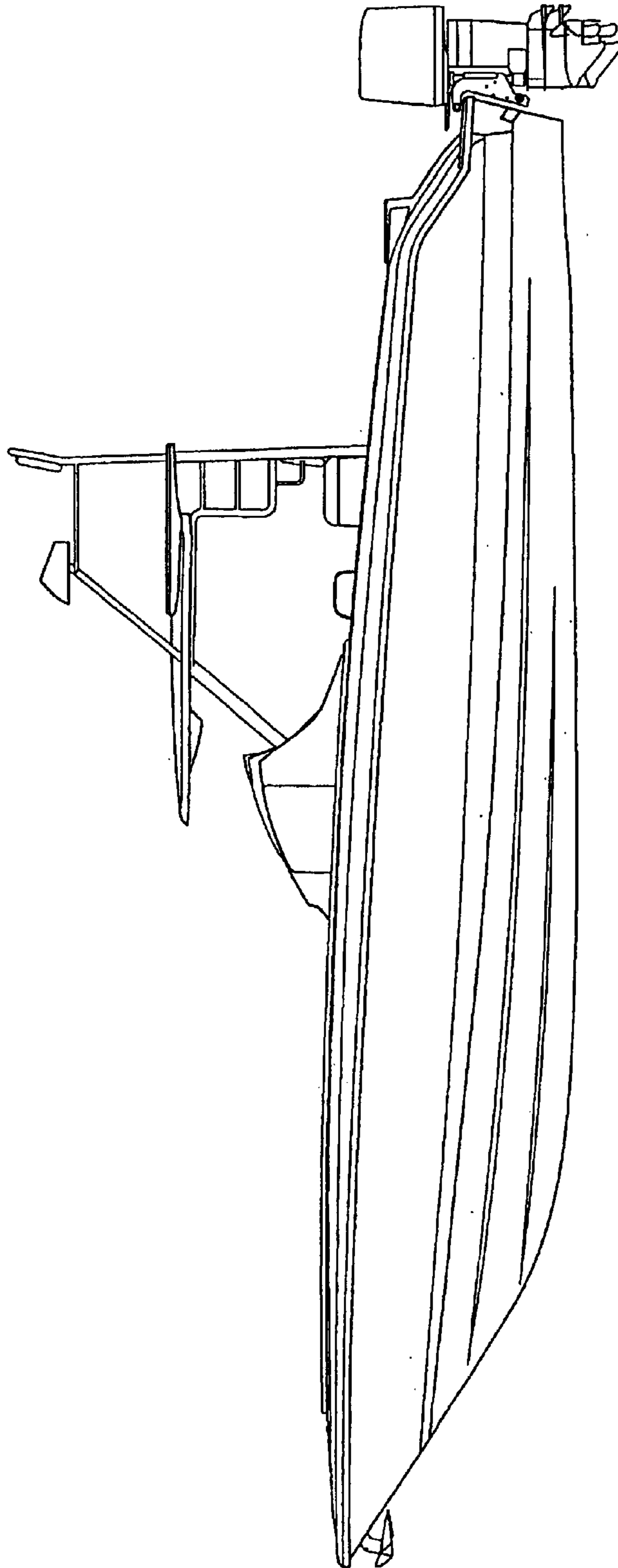


Fig 4

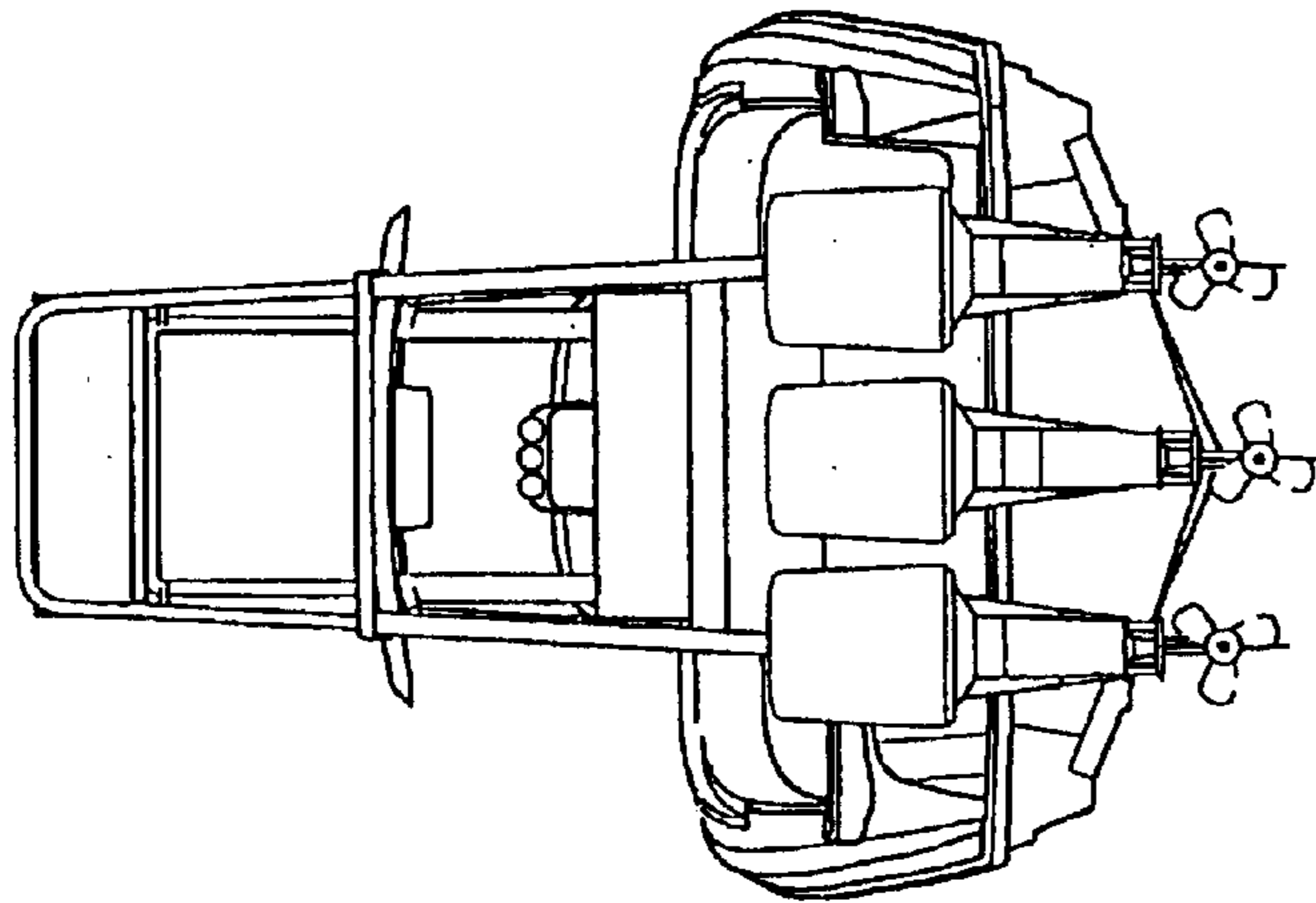


Fig 5

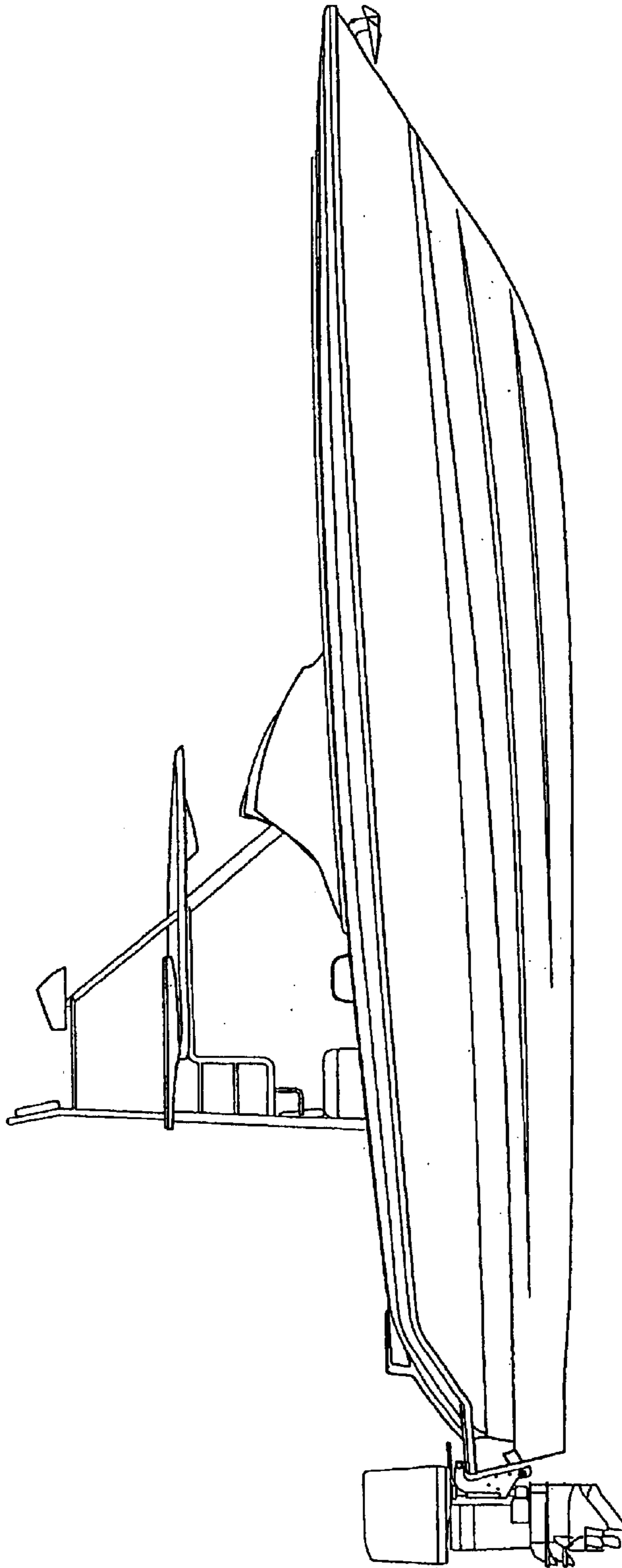


Fig 6

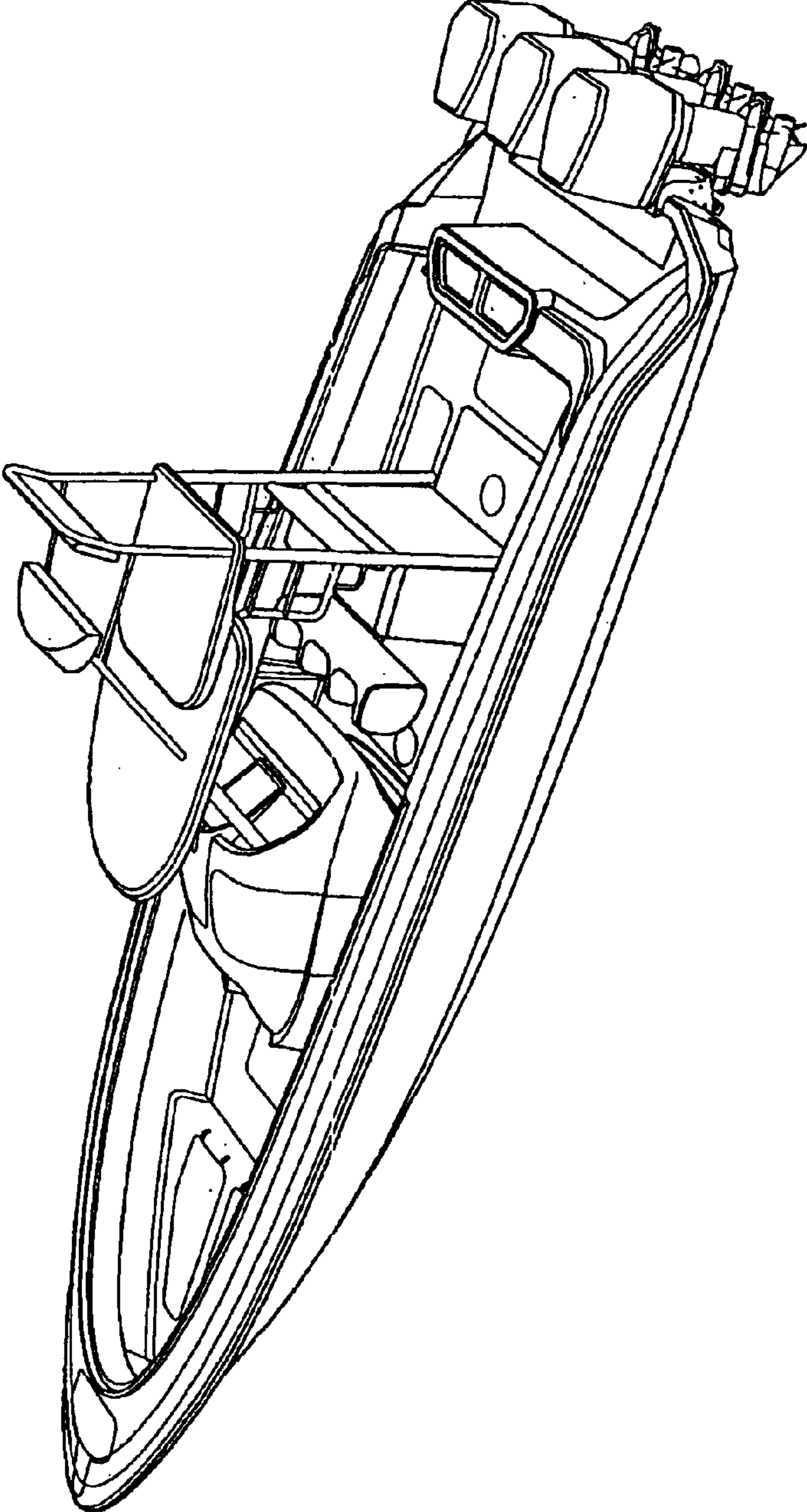


Fig 7