



US00D524713S

(12) **United States Design Patent**  
**Brouillette et al.**

(10) **Patent No.:** **US D524,713 S**

(45) **Date of Patent:** **\*\* Jul. 11, 2006**

(54) **VEHICLE WHEEL**

(75) Inventors: **Brandon L. Brouillette**, Grand Junction, CO (US); **Benjamin P. Johnson**, Grand Junction, CO (US)

(73) Assignee: **Complete Wheel Source, Inc.**, Grand Junction, CO (US)

(\*\*) Term: **14 Years**

(21) Appl. No.: **29/245,141**

(22) Filed: **Dec. 20, 2005**

(51) **LOC (8) Cl.** ..... **12-16**

(52) **U.S. Cl.** ..... **D12/211**

(58) **Field of Classification Search** ..... D12/204-213;  
301/37.101, 64.101, 65  
See application file for complete search history.

- D449,266 S \* 10/2001 Afzal ..... D12/209
- D451,874 S \* 12/2001 Donikoglu ..... D12/209
- D471,504 S \* 3/2003 Laengerer ..... D12/211
- D476,610 S \* 7/2003 Yun ..... D12/209
- D476,939 S 7/2003 Francis
- D477,557 S \* 7/2003 Iacovelli et al. .... D12/211
- D479,178 S \* 9/2003 Lai ..... D12/211
- D484,085 S 12/2003 Tirado
- D496,318 S 9/2004 Cheng
- D496,622 S 9/2004 Cheng
- D499,686 S \* 12/2004 Song ..... D12/211
- D500,005 S \* 12/2004 van Hooydonk ..... D12/211

\* cited by examiner

*Primary Examiner*—Stacia Cadmus

(74) *Attorney, Agent, or Firm*—Dorr, Carson & Birney, P.C.

(57) **CLAIM**

The ornamental design for a vehicle wheel, as shown and described.

(56) **References Cited**

U.S. PATENT DOCUMENTS

- D96,307 S 7/1935 Hom
- D256,576 S 8/1980 Koch
- D383,428 S 9/1997 Brown et al.
- D415,462 S 10/1999 Hussaini et al.
- D427,132 S \* 6/2000 Lee ..... D12/211
- D432,071 S \* 10/2000 Brown ..... D12/211
- D432,481 S \* 10/2000 Brown ..... D12/209

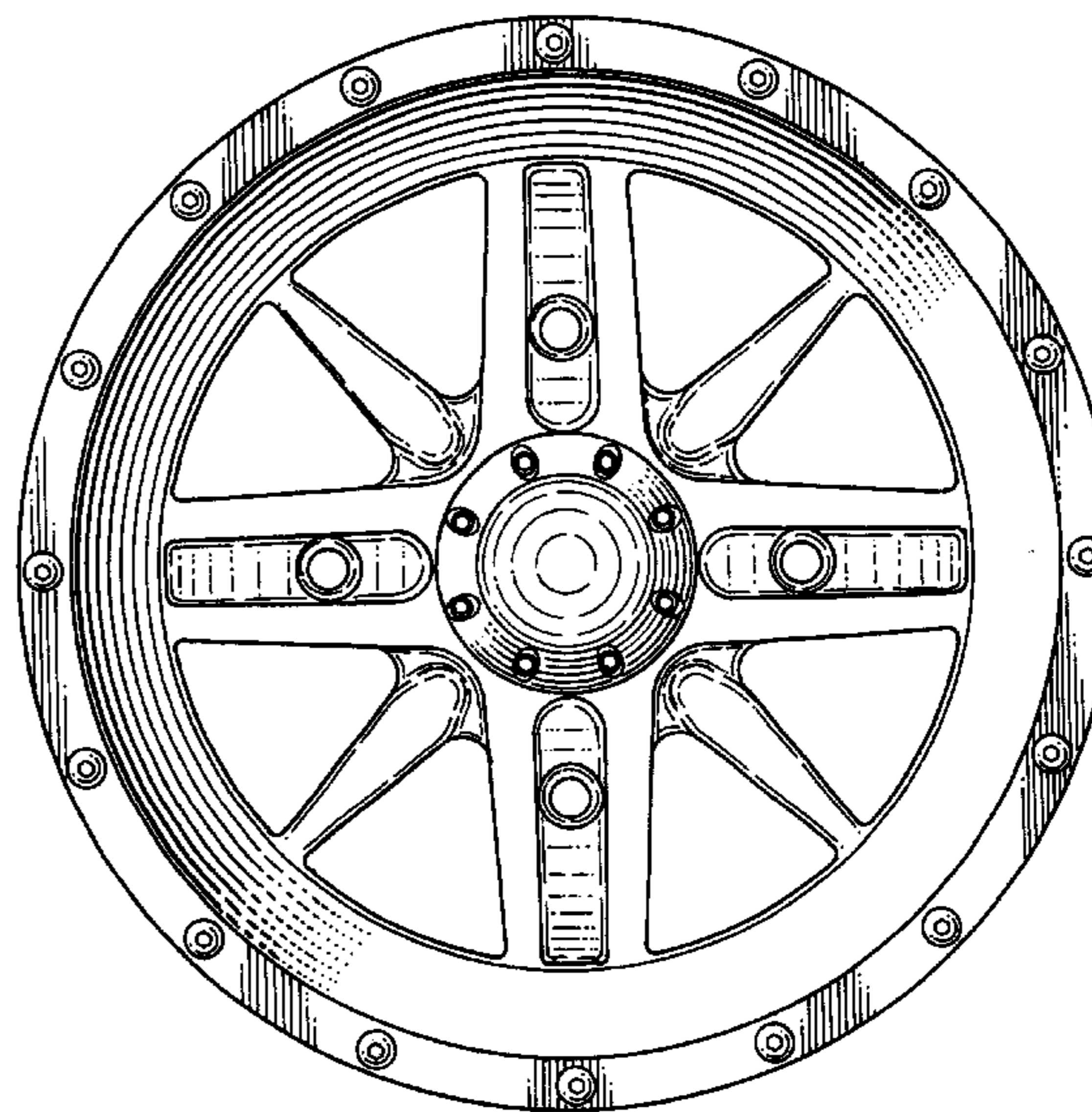
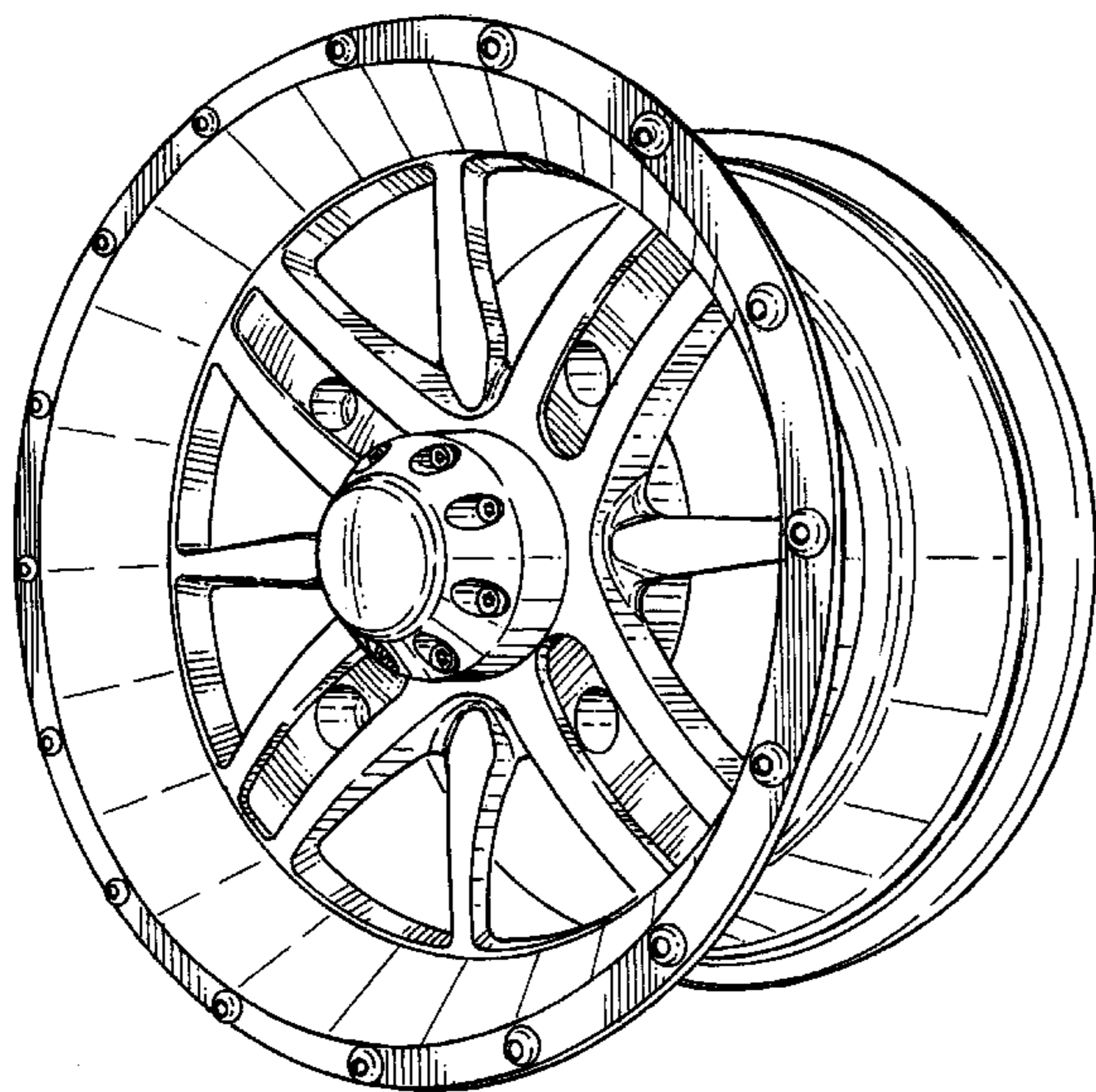
**DESCRIPTION**

FIG. 1 is a front elevational view of a portion of the vehicle wheel with the rest of the wheel shown in broken lines for ease of illustration.

FIG. 2 is front perspective view of the vehicle wheel.

FIG. 3 is a front elevational view of the vehicle wheel; and, FIG. 4 is a side elevational view of the vehicle wheel.

**1 Claim, 4 Drawing Sheets**



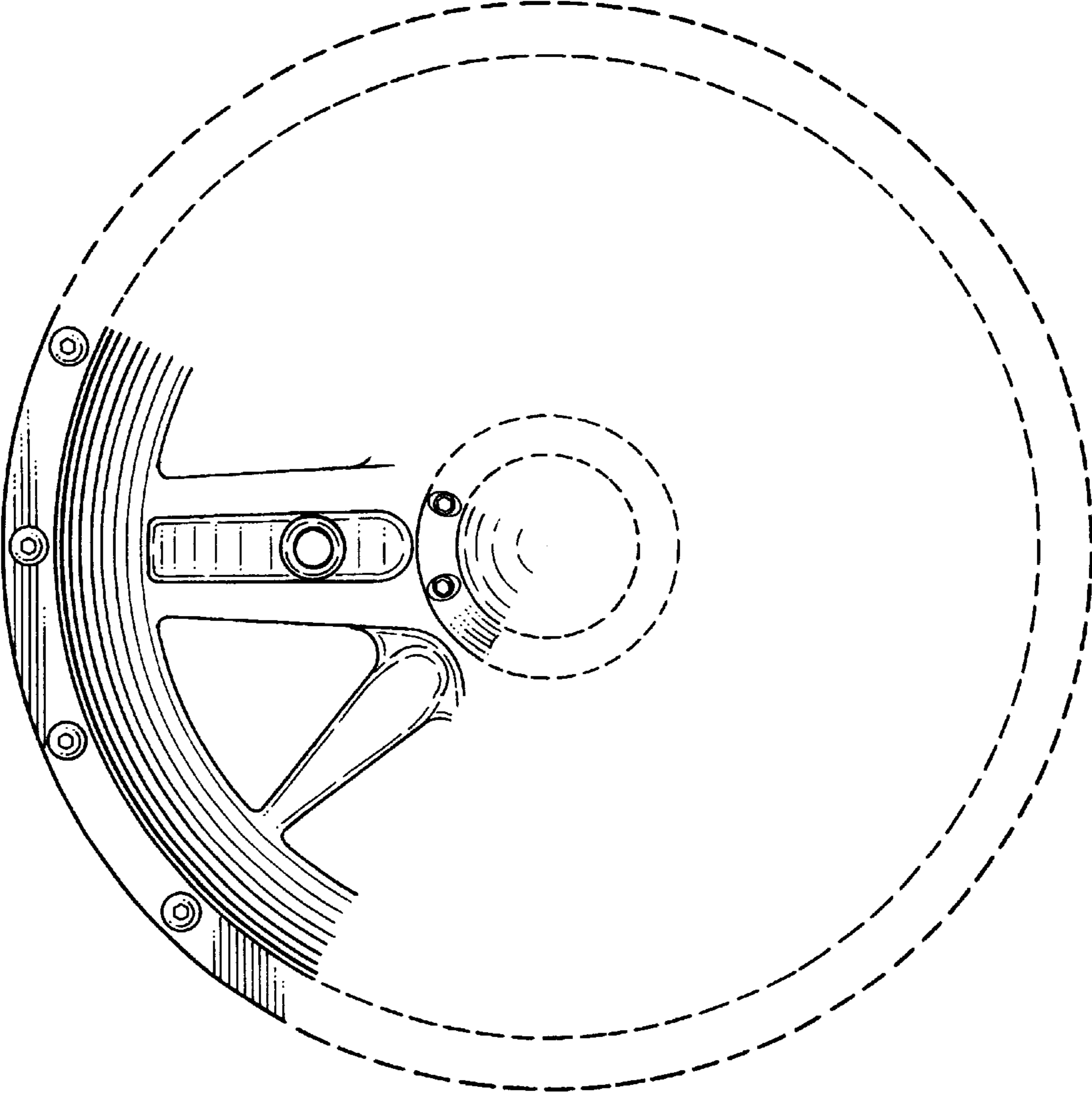


Fig. 1

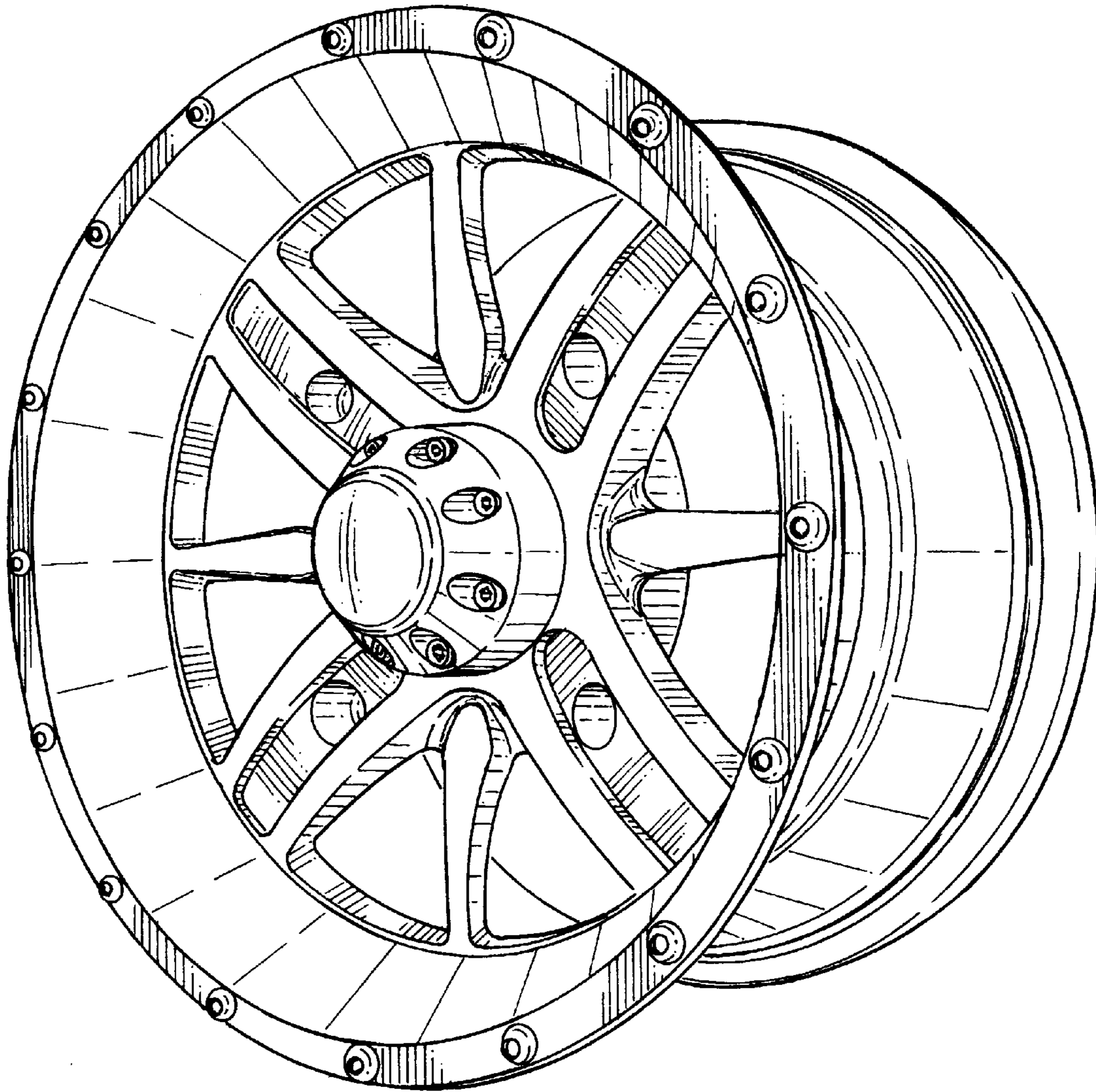
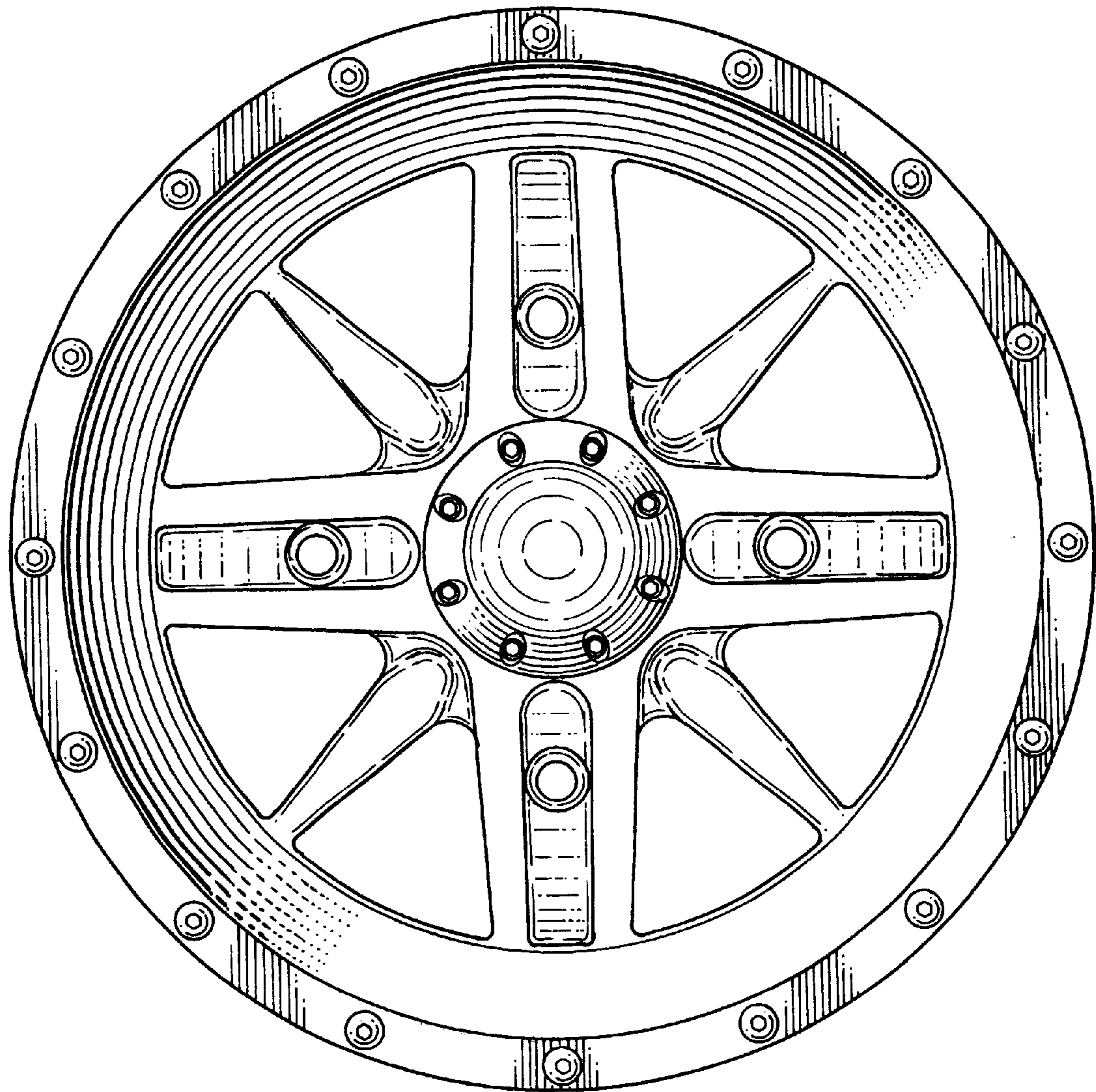


Fig. 2



**Fig. 3**

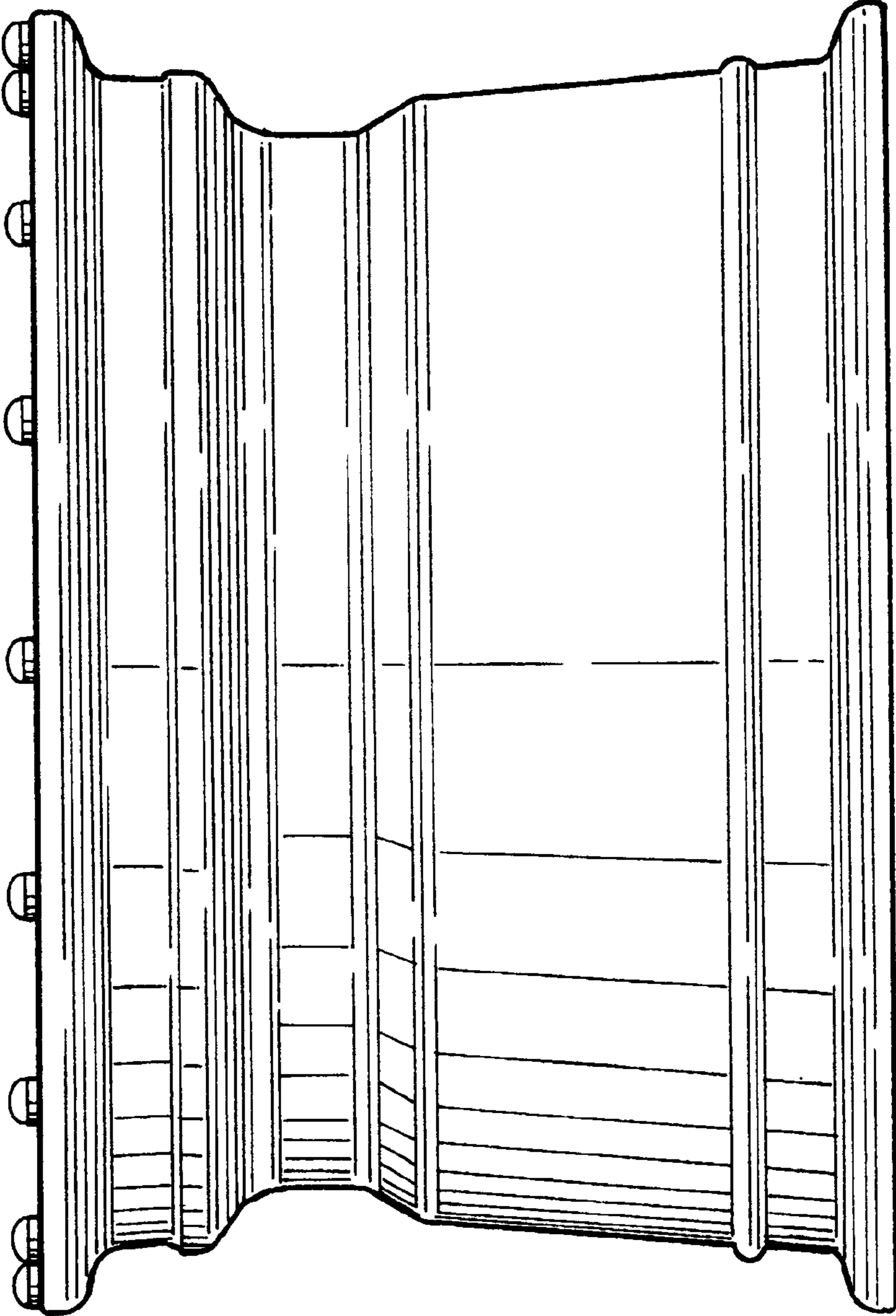


Fig. 4