

US00D524712S

(12) **United States Design Patent**
Pfeiffer

(10) **Patent No.:** **US D524,712 S**
(45) **Date of Patent:** **** Jul. 11, 2006**

(54) **FRONT FACE OF A VEHICLE WHEEL**

(75) Inventor: **Peter Pfeiffer**, Boeblingen (DE)

(73) Assignee: **DaimlerChrysler AG**, Stuttgart (DE)

(**) Term: **14 Years**

(21) Appl. No.: **29/209,995**

(22) Filed: **Jul. 26, 2004**

(30) **Foreign Application Priority Data**

Jan. 24, 2004 (DE) 4 04 00 403

(51) **LOC (8) Cl.** **12-16**

(52) **U.S. Cl.** **D12/211**

(58) **Field of Classification Search** D12/204-213;
301/37.101, 64.101, 65
See application file for complete search history.

(56) **References Cited**

U.S. PATENT DOCUMENTS

D277,661 S	*	2/1985	Cafaro et al.	D12/211
D336,886 S	*	6/1993	Mikawa	D12/211
D458,208 S	*	6/2002	Hartl	D12/211
D462,309 S	*	9/2002	Hieke	D12/211
D462,928 S	*	9/2002	Takechi	D12/209
D481,982 S	*	11/2003	Takechi	D12/211

D487,242 S	*	3/2004	Lecher et al.	D12/211
D492,238 S	*	6/2004	Bernoni	D12/211
D507,221 S	*	7/2005	Stopka	D12/209
D508,671 S	*	8/2005	Baum	D12/209
D510,719 S	*	10/2005	Noble	D12/211

* cited by examiner

Primary Examiner—Stacia Cadmus

(74) *Attorney, Agent, or Firm*—Crowell & Moring LLP

(57) **CLAIM**

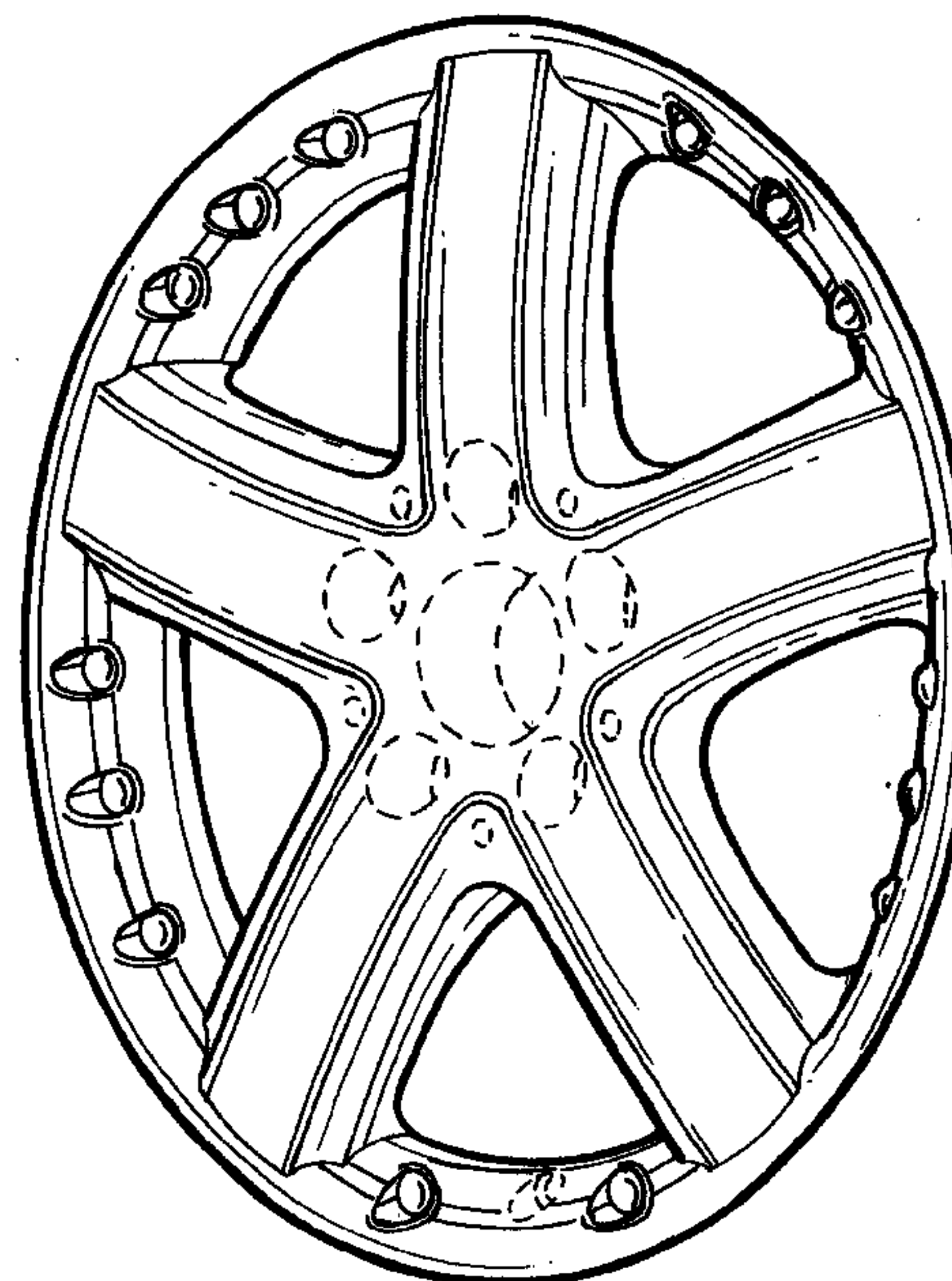
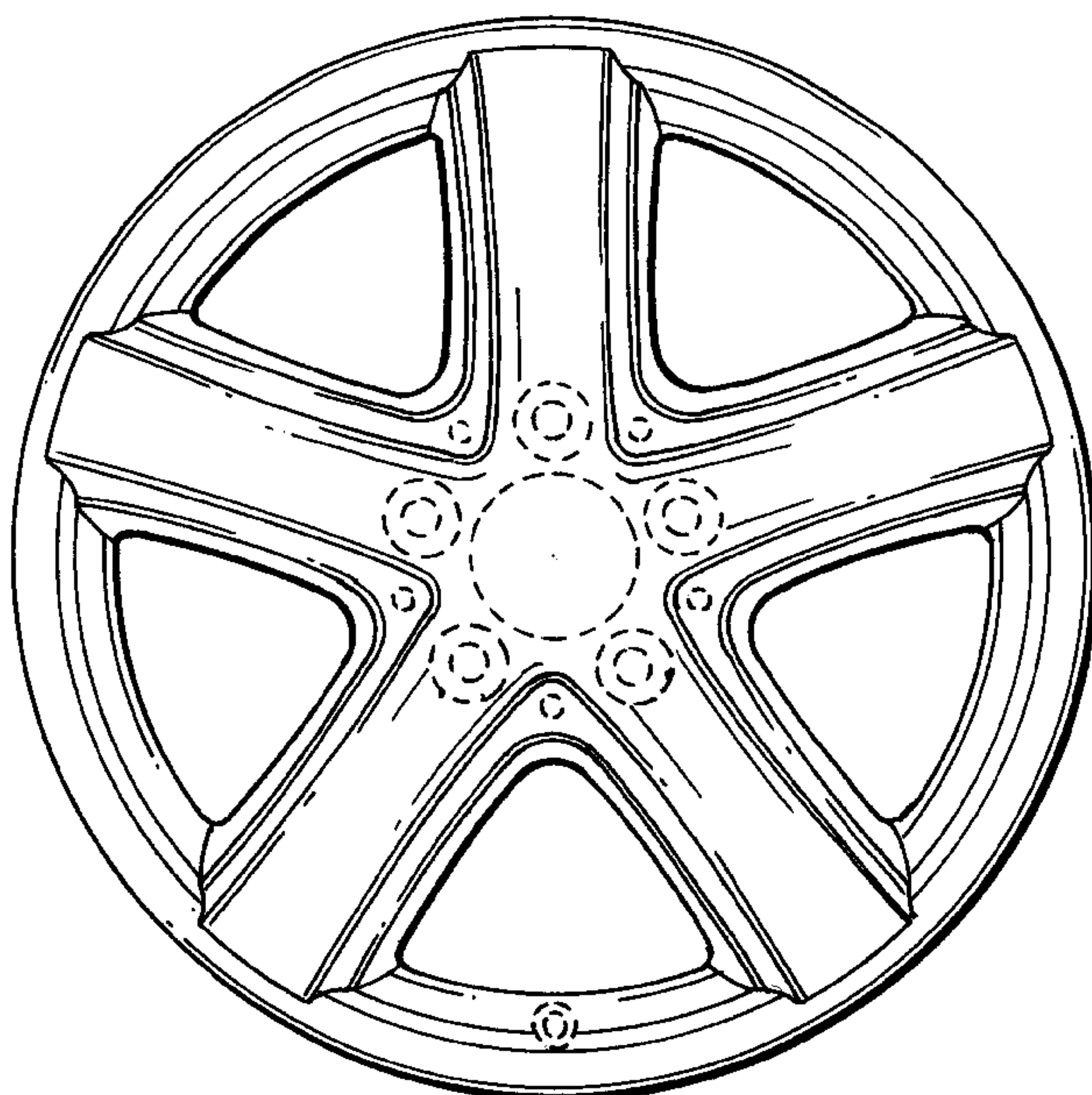
The ornamental design for a front face of a vehicle wheel, as shown and described.

DESCRIPTION

FIG. 1 is a front view of a first embodiment of a front face of a vehicle wheel according to my novel design; FIG. 2 is a perspective view of the first embodiment of the front face of a vehicle wheel according to my novel design; FIG. 3 is a front view of a second embodiment of the front face of a vehicle wheel according to my novel design; and, FIG. 4 is a perspective view of the second embodiment of the front face of a vehicle wheel according to my novel design.

The broken lines are for illustrative purposes only and form no part of the claimed design.

1 Claim, 2 Drawing Sheets



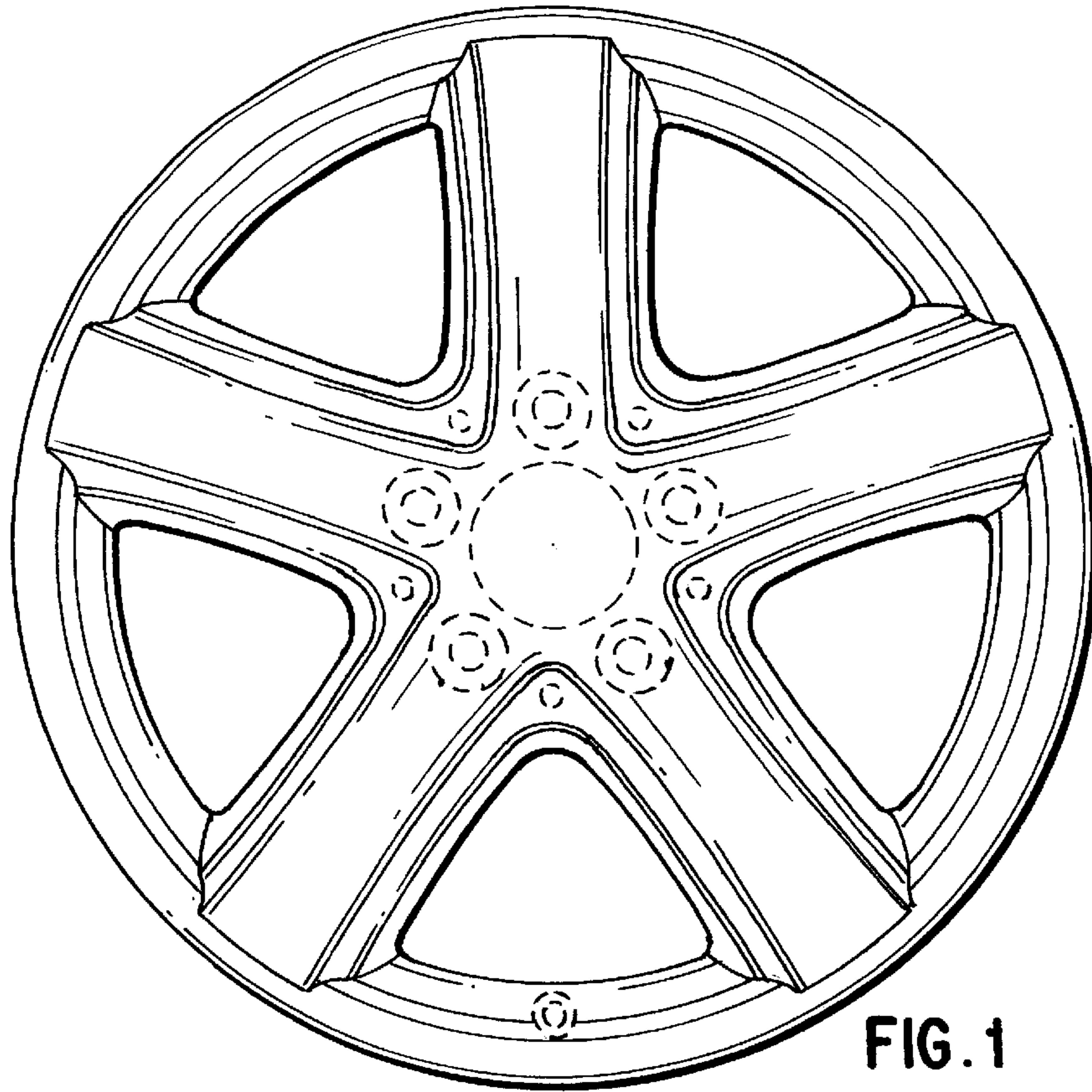


FIG. 1

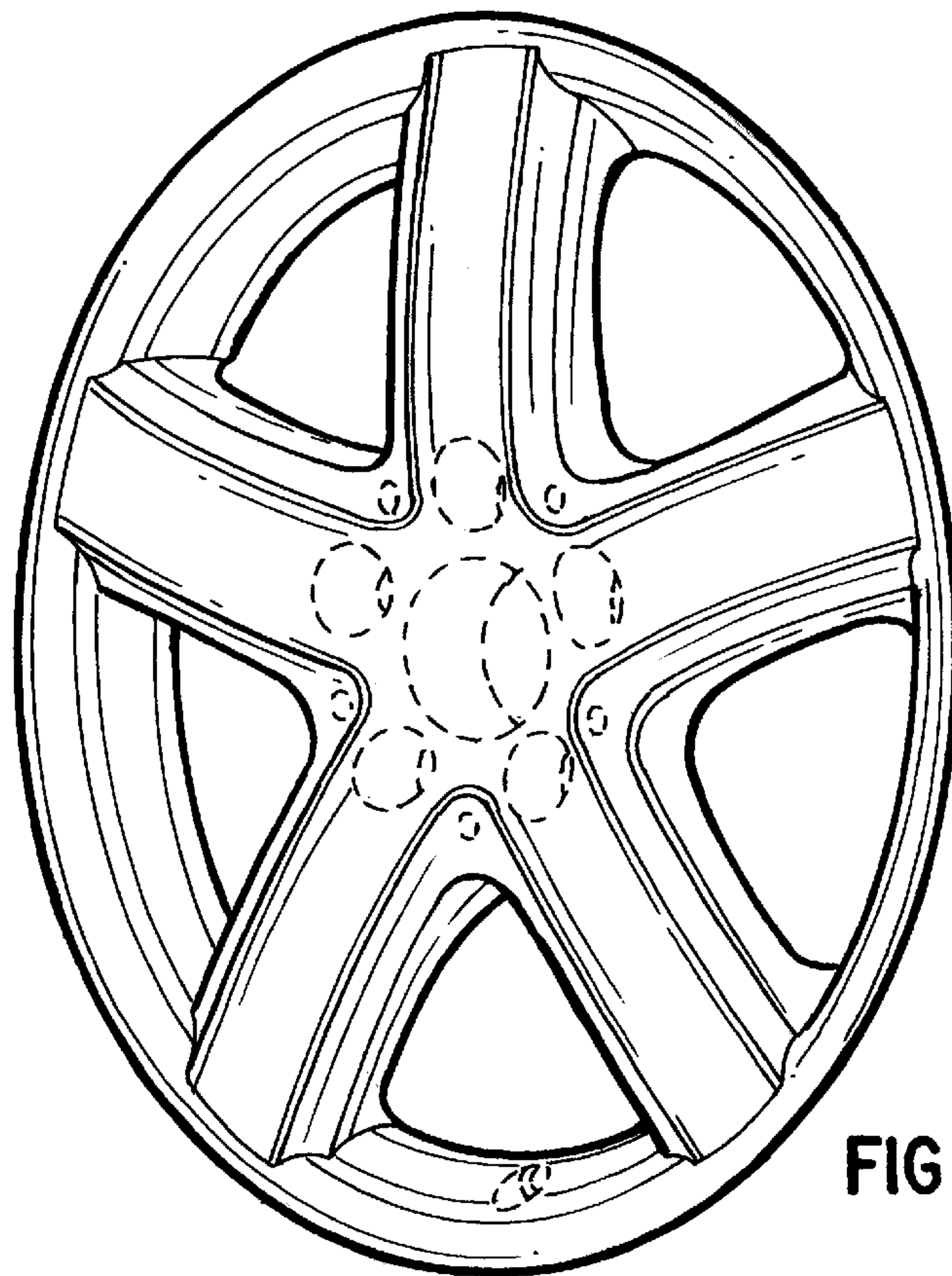


FIG. 2

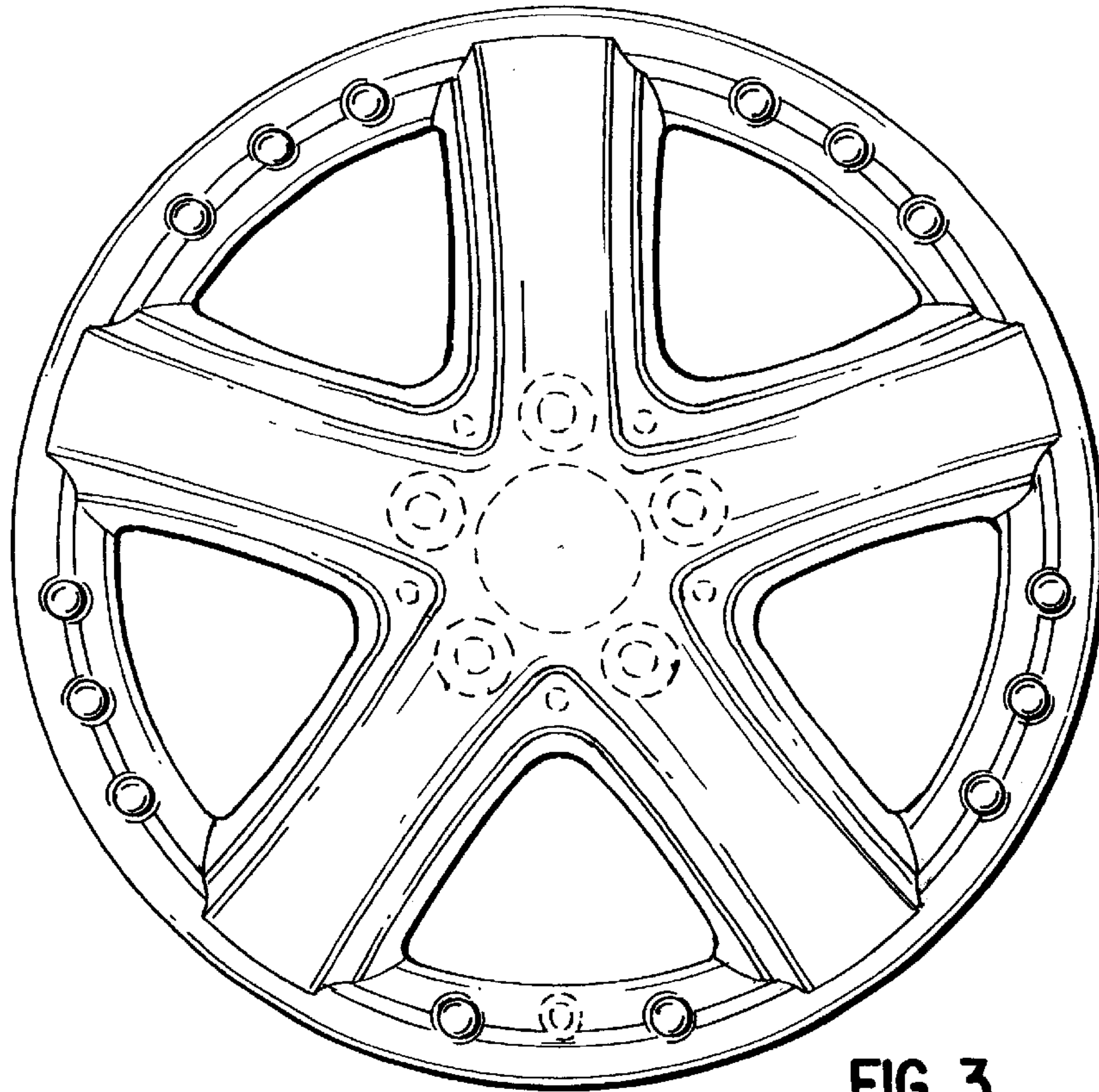


FIG. 3

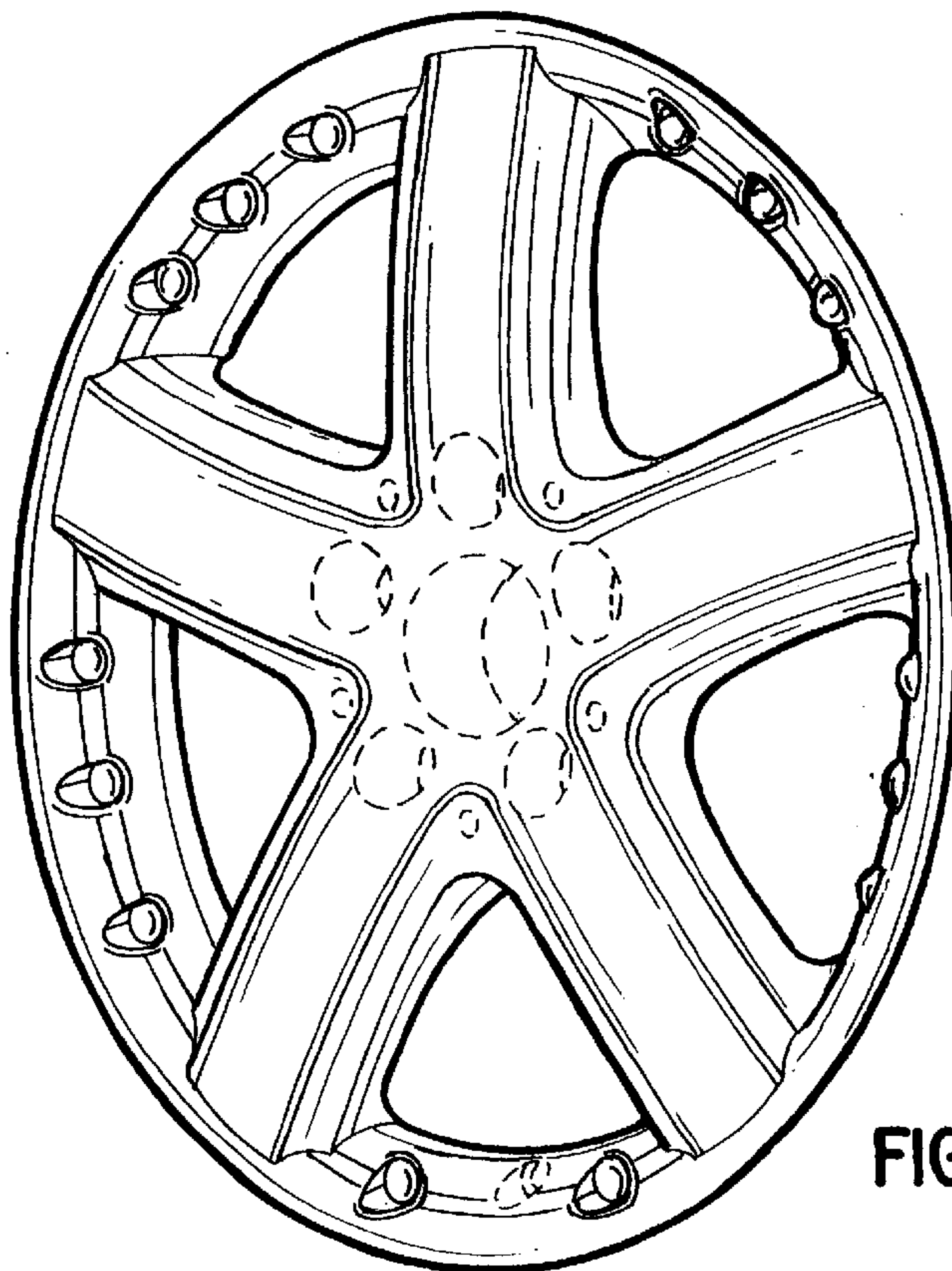


FIG. 4