

US00D524702S

(12) **United States Design Patent**  
**Haeggberg**

(10) **Patent No.:** **US D524,702 S**

(45) **Date of Patent:** **\*\* Jul. 11, 2006**

(54) **FOLDABLE BUGGY**

FOREIGN PATENT DOCUMENTS

(76) Inventor: **Christian Haeggberg**, Muhlaustrasse  
42, Bazenheid (CH), 9602

DE	372037	3/1923
DE	29506777	7/1995
FR	2164026	7/1973
FR	2486894	1/1982

(\*\*) Term: **14 Years**

\* cited by examiner

(21) Appl. No.: **29/221,641**

*Primary Examiner*—Marcus A. Jackson

(22) Filed: **Jan. 21, 2005**

(74) *Attorney, Agent, or Firm*—Shoemaker and Mattare

**Related U.S. Application Data**

(57) **CLAIM**

(63) Continuation-in-part of application No. 29/203,952, filed on  
Apr. 22, 2004, now Pat. No. Des. 505,892.

The ornamental design for a foldable buggy, as shown and  
described.

(30) **Foreign Application Priority Data**

**DESCRIPTION**

Jul. 27, 2004 (CH) ..... 130920

(51) **LOC (8) Cl.** ..... **12-12**

(52) **U.S. Cl.** ..... **D12/129**

(58) **Field of Classification Search** ..... D12/128–133;  
280/642, 644, 647, 649, 650, 47.36, 47.371  
See application file for complete search history.

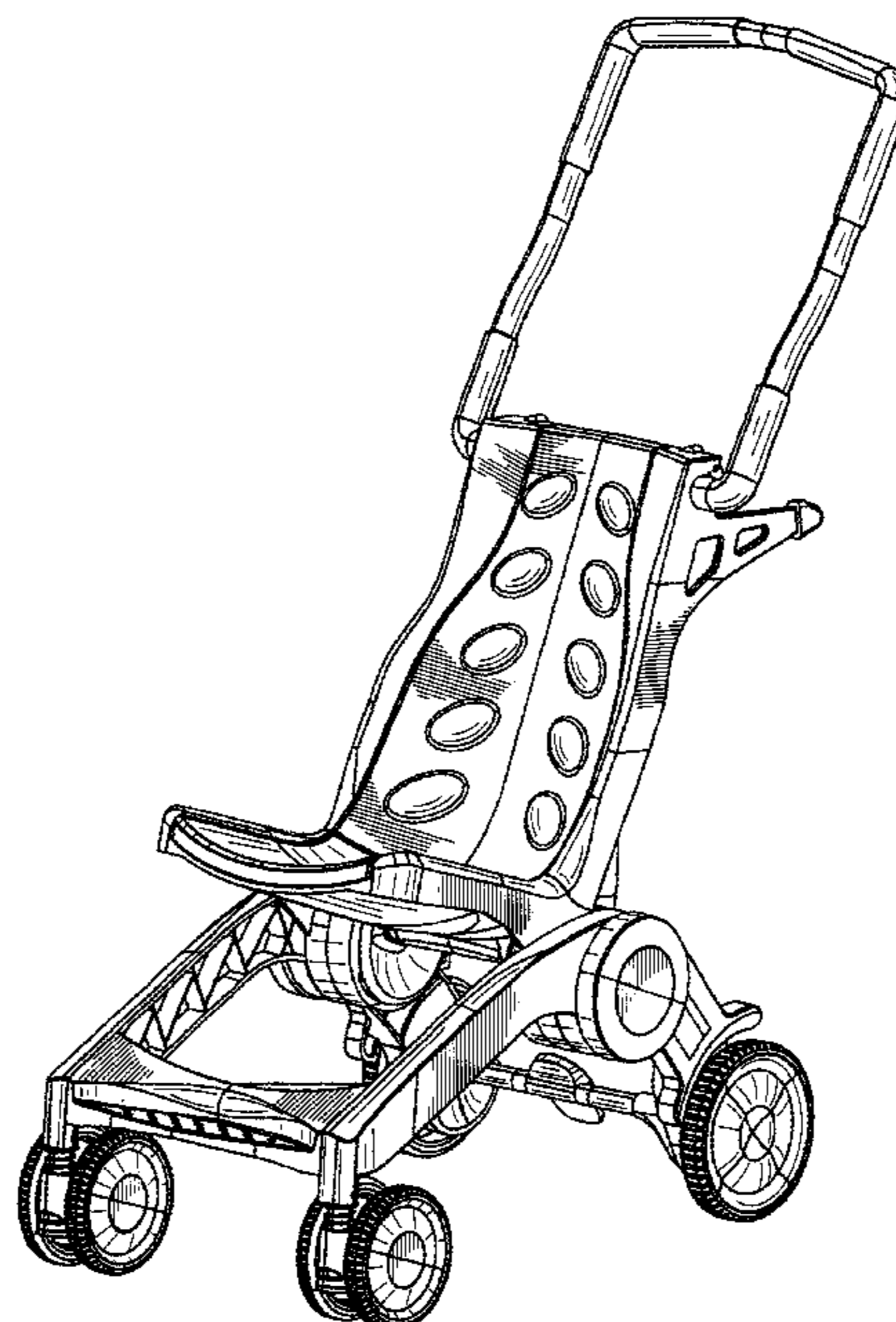
FIG. 1 is a perspective view, from the front and left side, of a foldable buggy, showing my new design;  
 FIG. 2 is a perspective view, from the rear and right side, thereof;  
 FIG. 3 is a right side elevation thereof;  
 FIG. 4 is a top plan view thereof;  
 FIG. 5 is a bottom plan view thereof;  
 FIG. 6 is a front elevation thereof;  
 FIG. 7 is a rear elevation thereof;  
 FIG. 8 is a perspective view, from the rear and above, of the buggy folded up;  
 FIG. 9 is a perspective view thereof, from the front and below;  
 FIG. 10 is a right side elevation thereof;  
 FIG. 11 is a front elevation thereof;  
 FIG. 12 is rear elevation thereof;  
 FIG. 13 is a bottom plan view thereof; and,  
 FIG. 14 is a top plan view thereof.

(56) **References Cited**

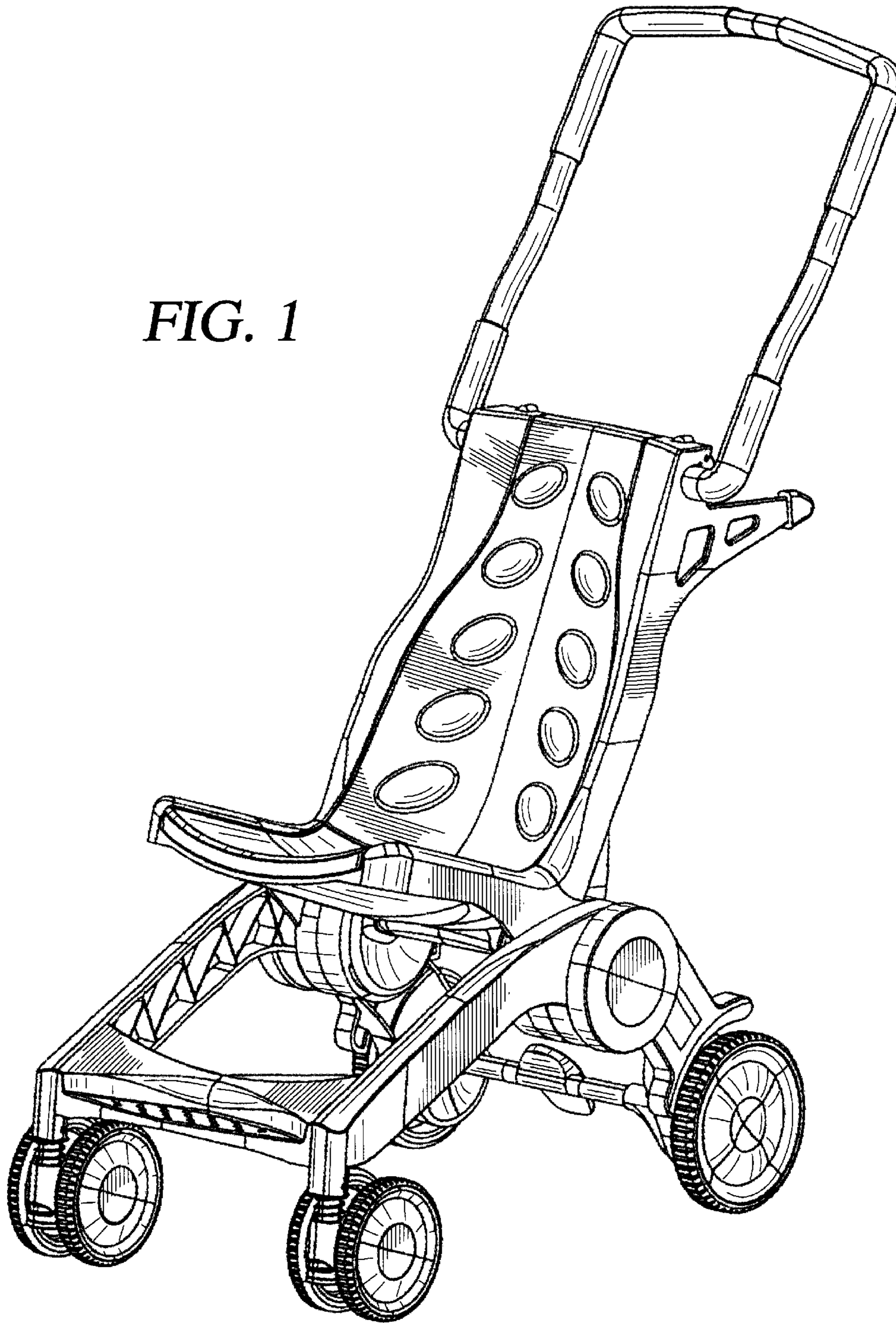
U.S. PATENT DOCUMENTS

4,834,403 A	5/1989	Yanus et al.	
D419,493 S	1/2000	Flannery et al.	
D457,110 S	5/2002	Huang	
D463,760 S	10/2002	Yang et al.	
D468,880 S	* 1/2003	Porter	..... D34/17
6,513,827 B1	2/2003	Barenbrug	
D482,641 S	* 11/2003	Hansen	..... D12/129
D494,511 S	8/2004	Chen	
D495,978 S	* 9/2004	Carpenter	..... D12/129
D502,896 S	* 3/2005	Pullam, St	..... D12/129
D505,892 S	* 6/2005	Haeggberg	..... D12/129

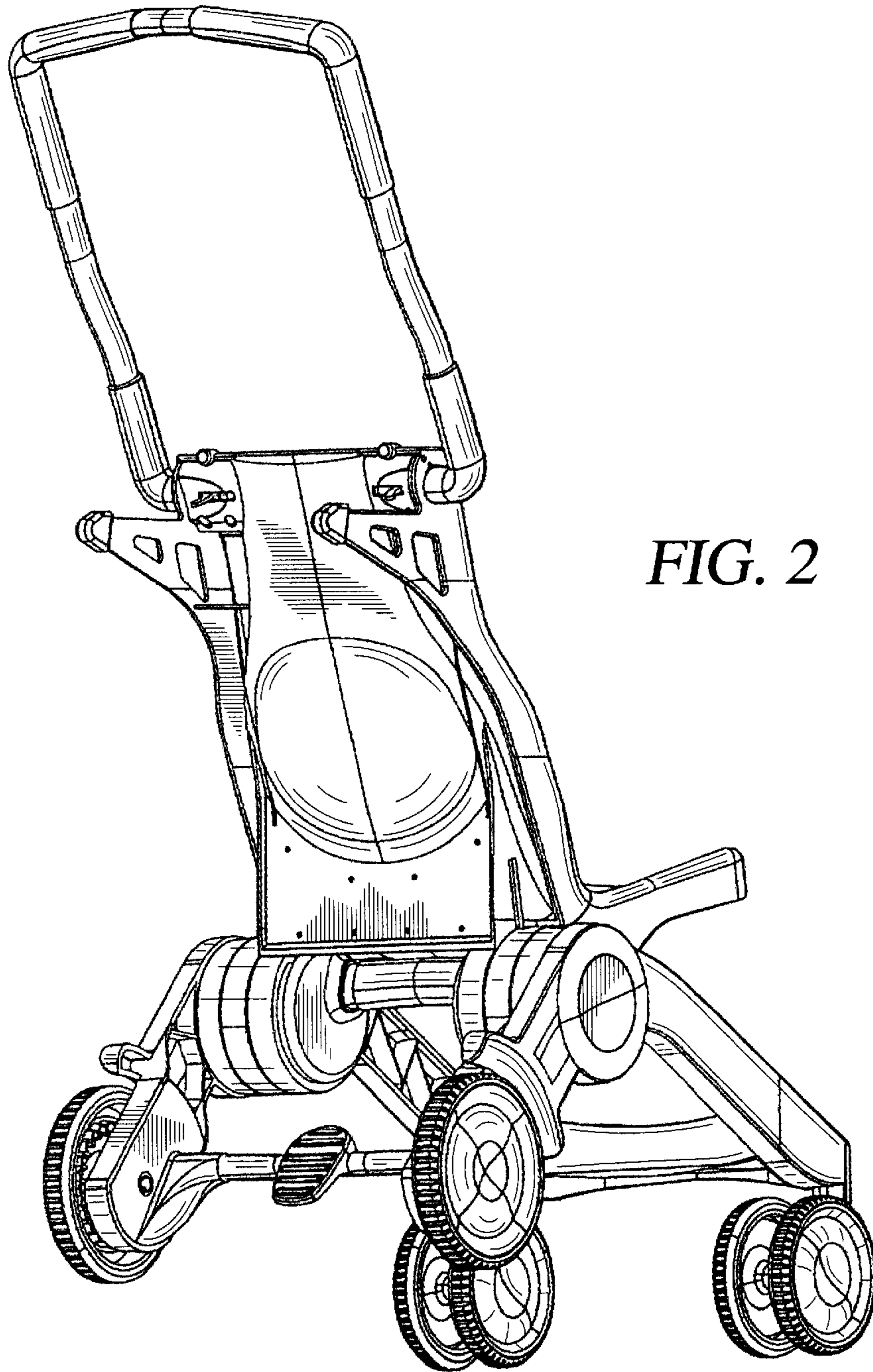
**1 Claim, 14 Drawing Sheets**



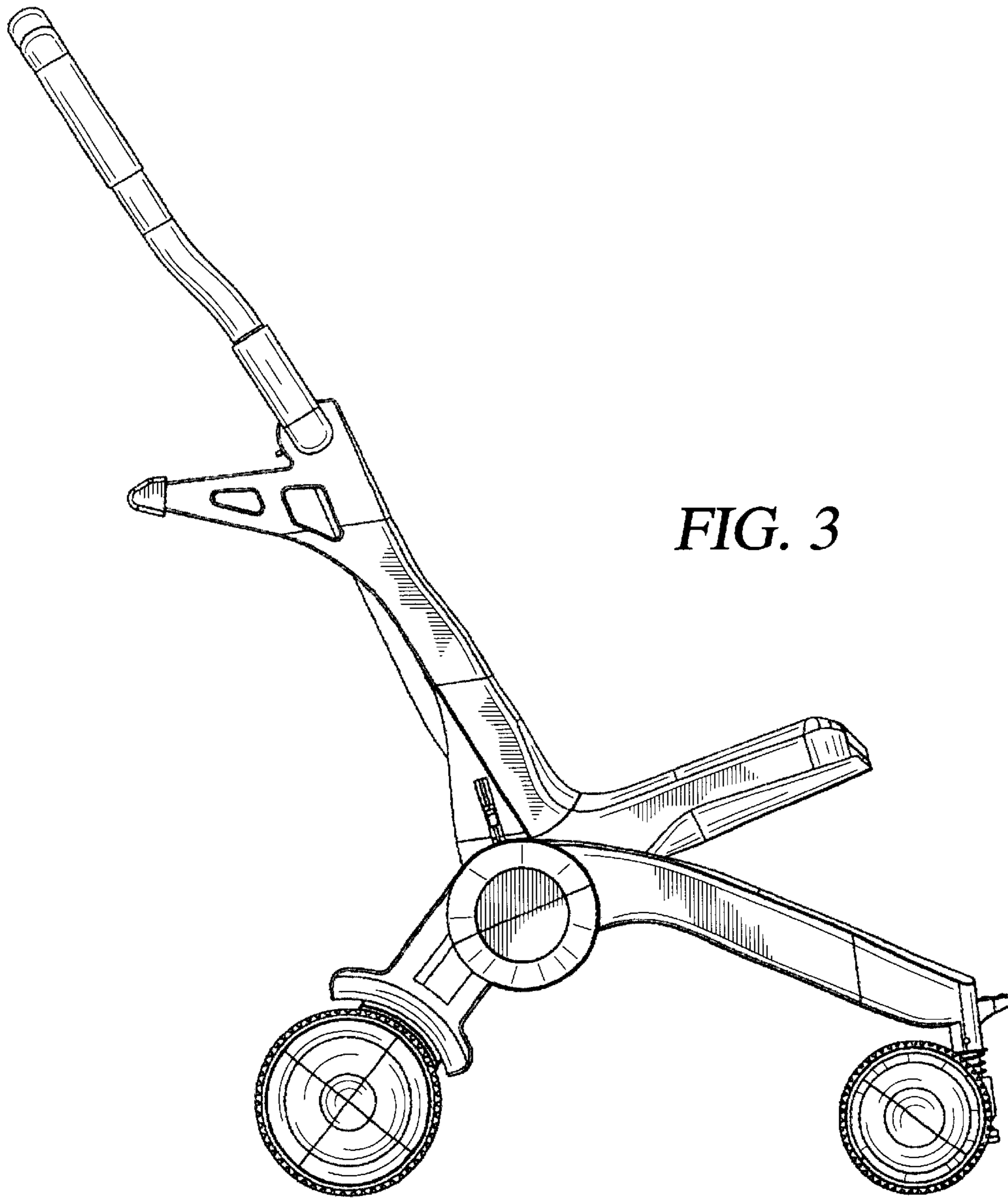
*FIG. 1*



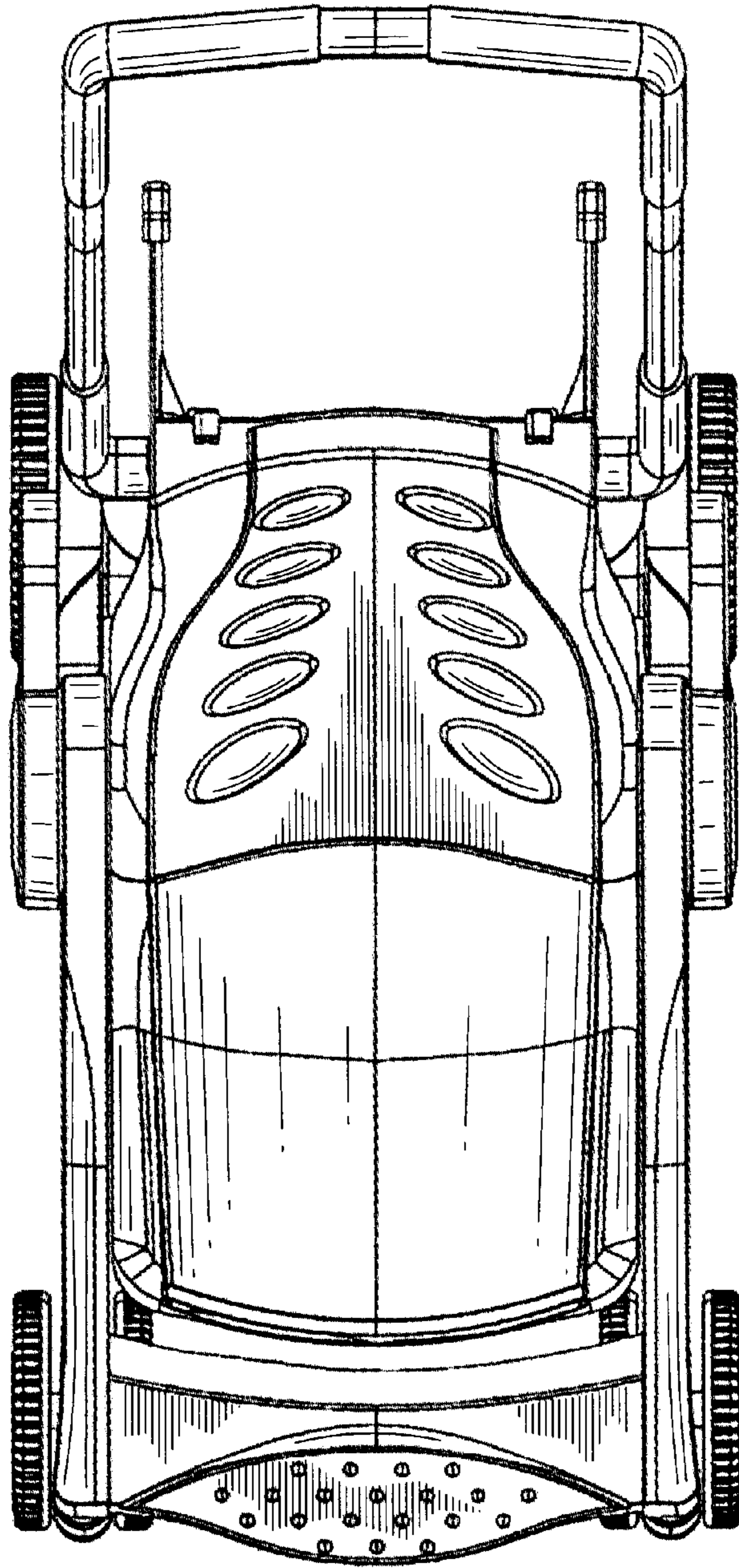




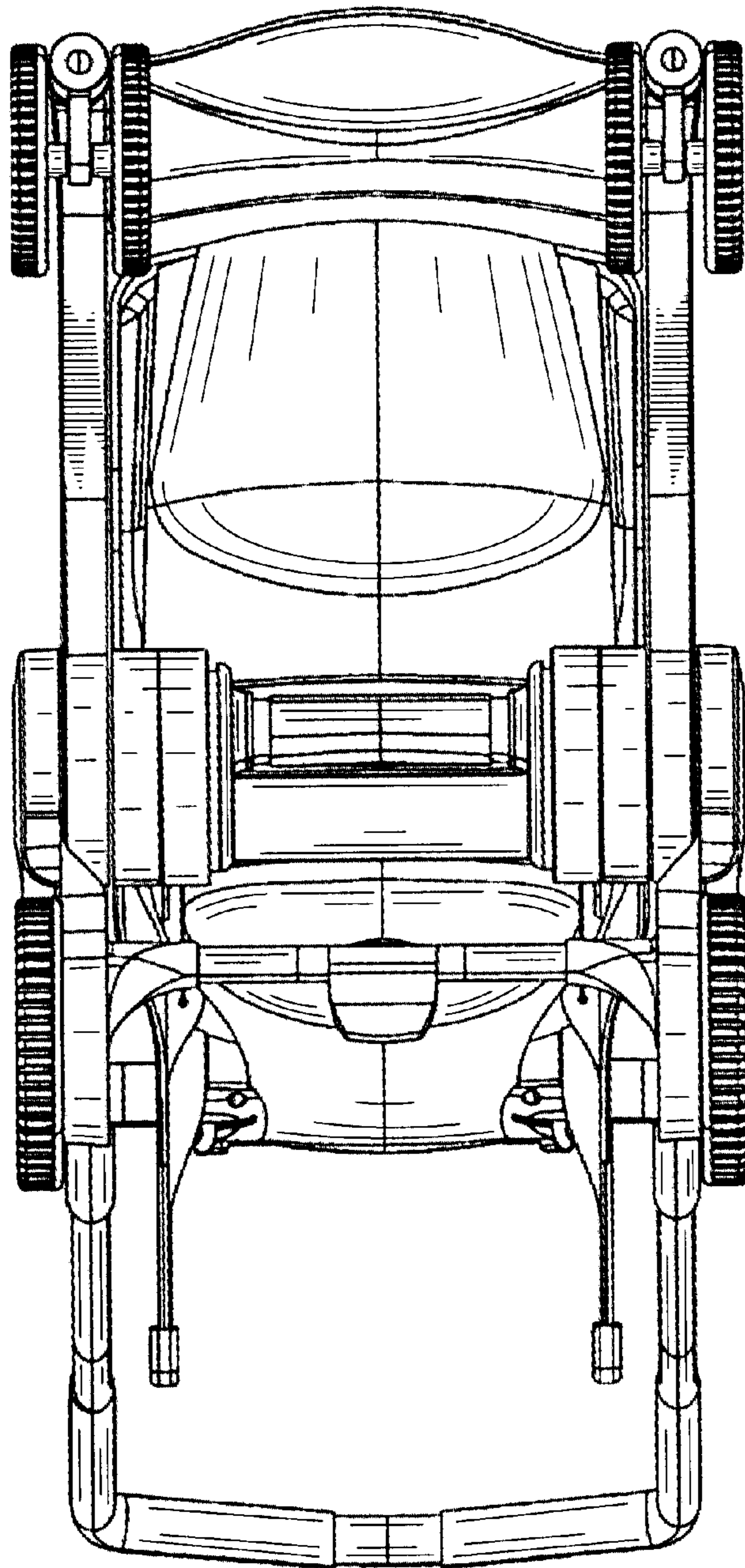
*FIG. 2*



*FIG. 3*

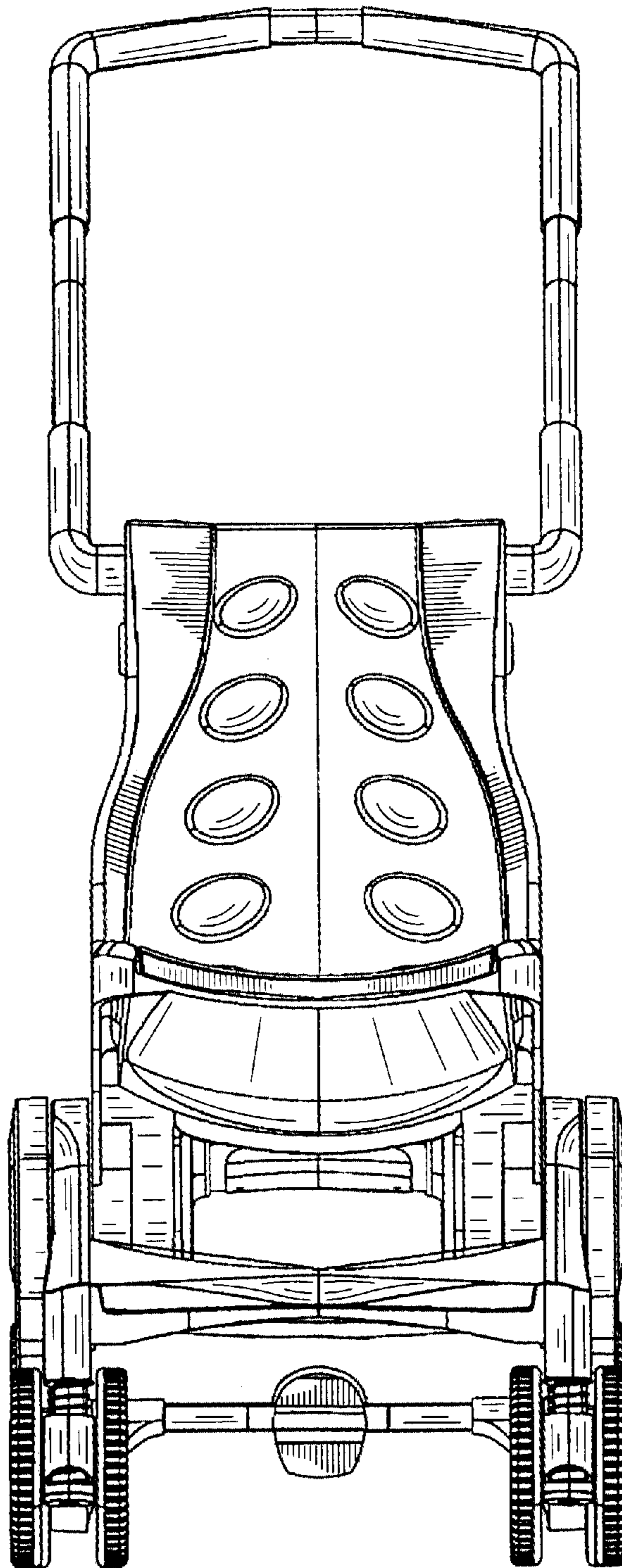


*FIG. 4*

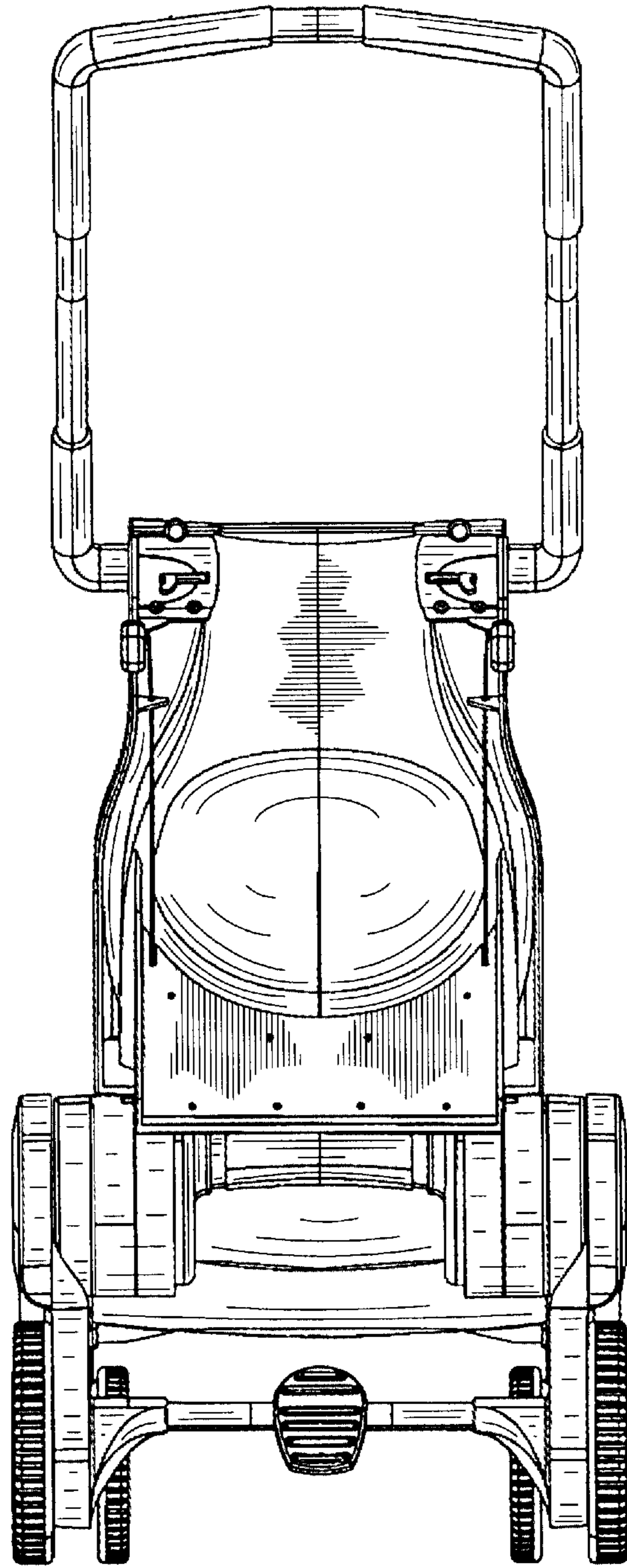


*FIG. 5*



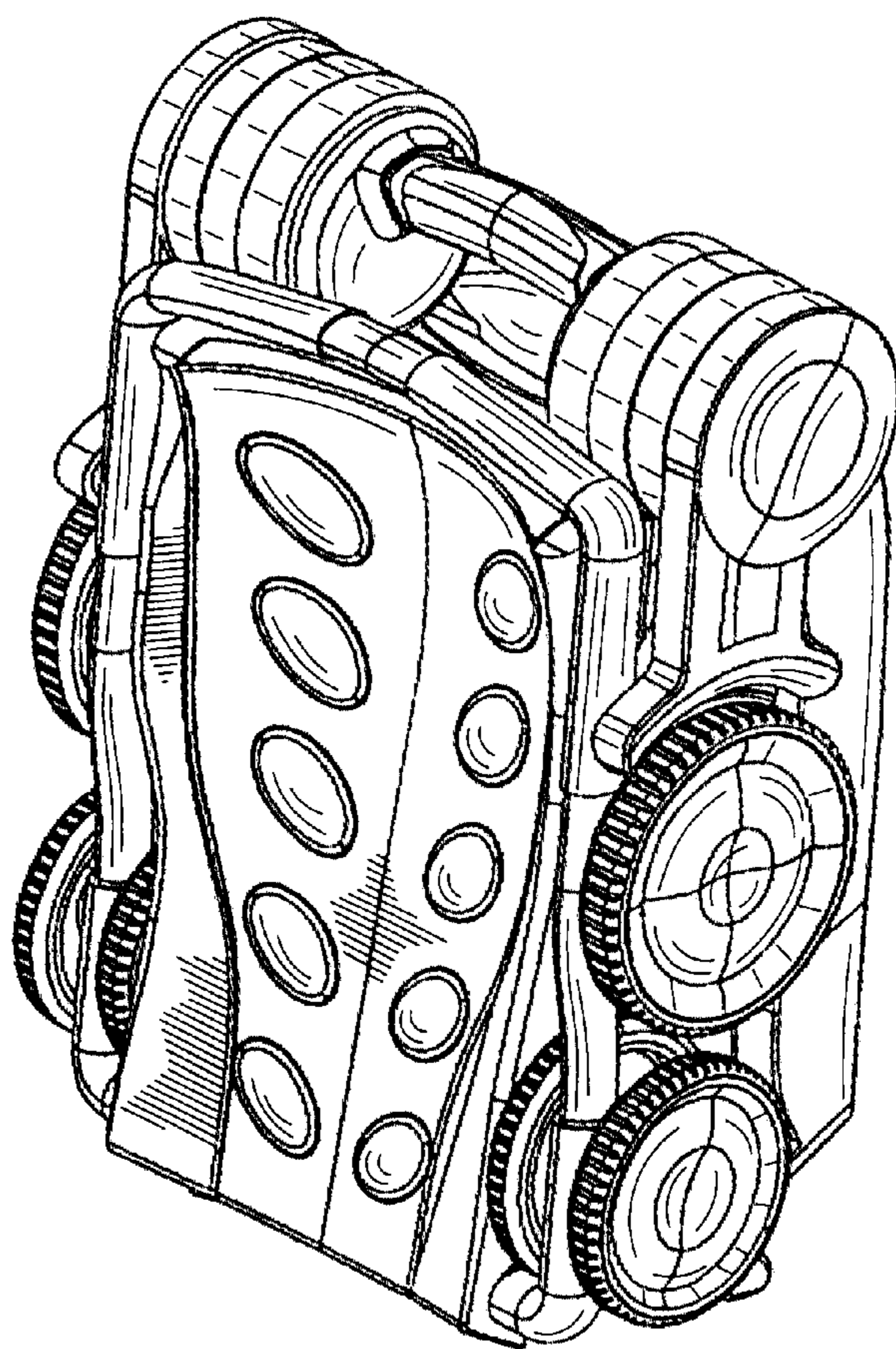


*FIG. 6*

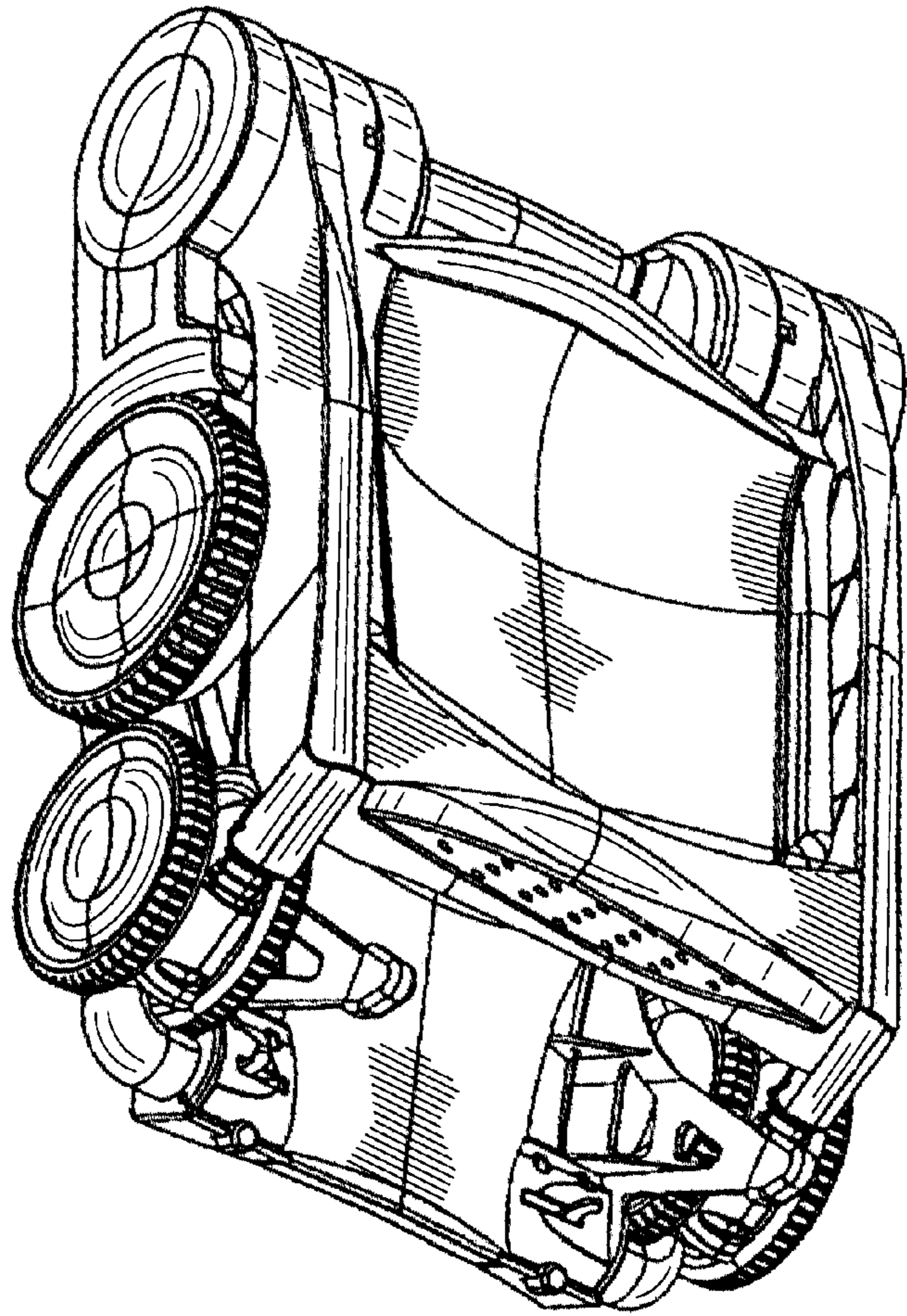


*FIG. 7*

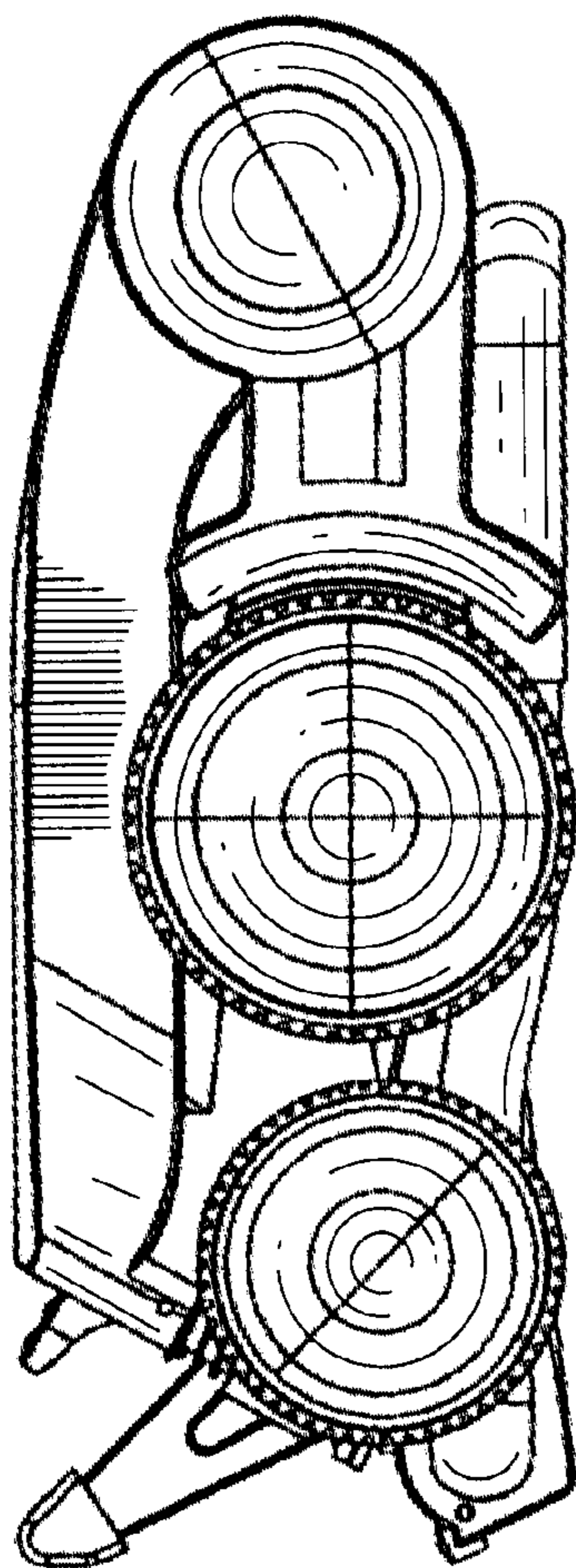




*FIG. 8*

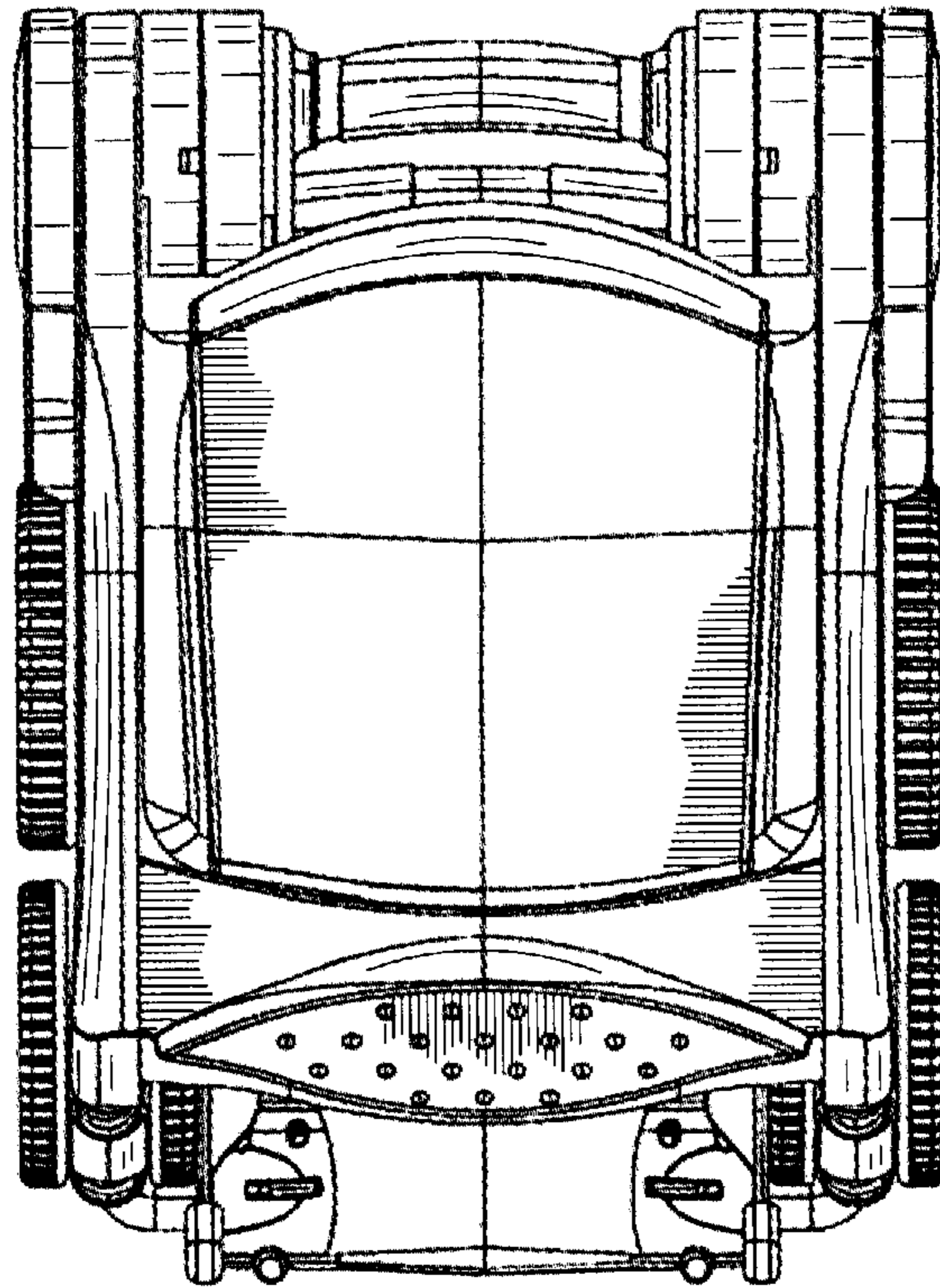


*FIG. 9*

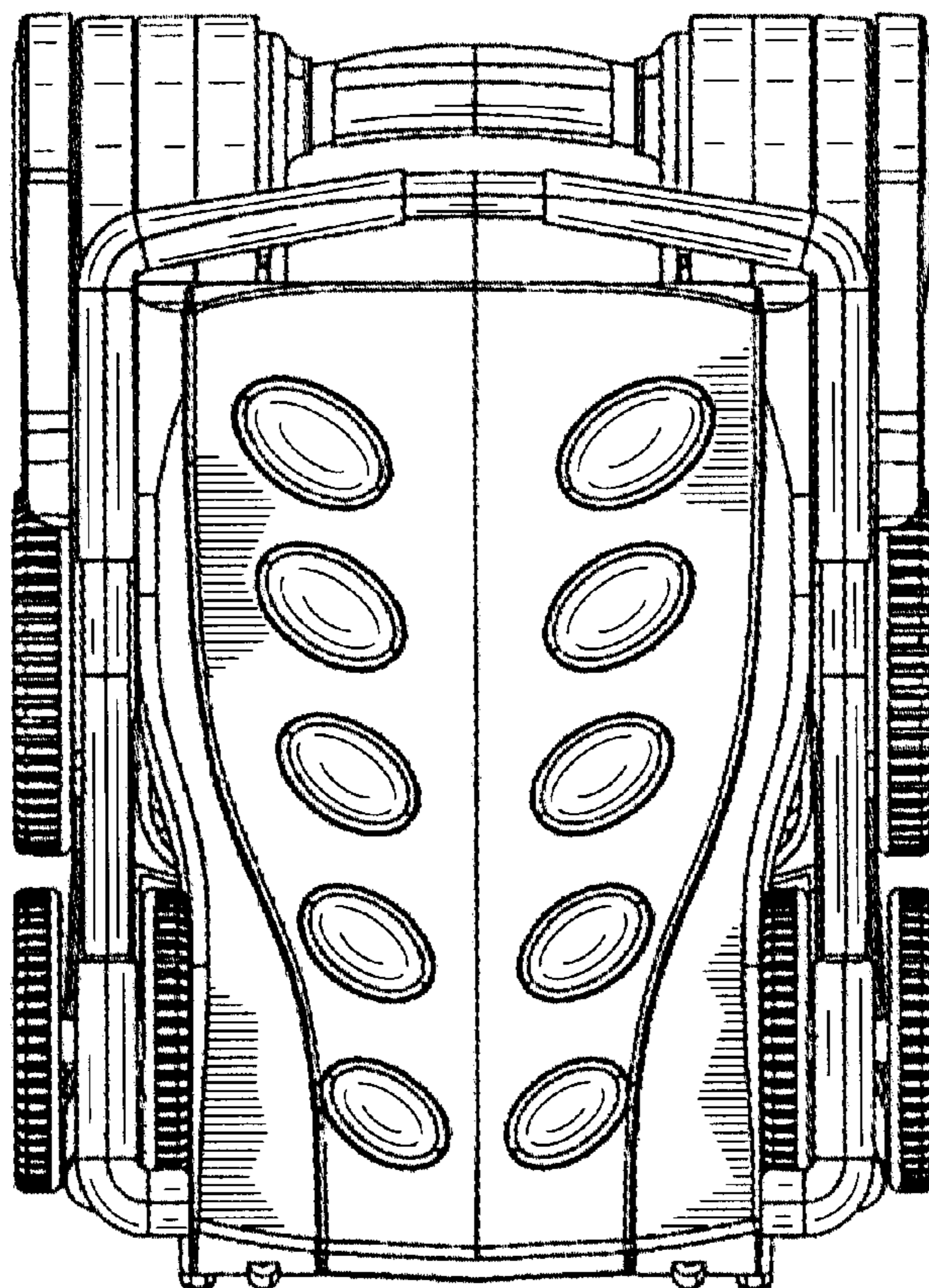


*FIG. 10*

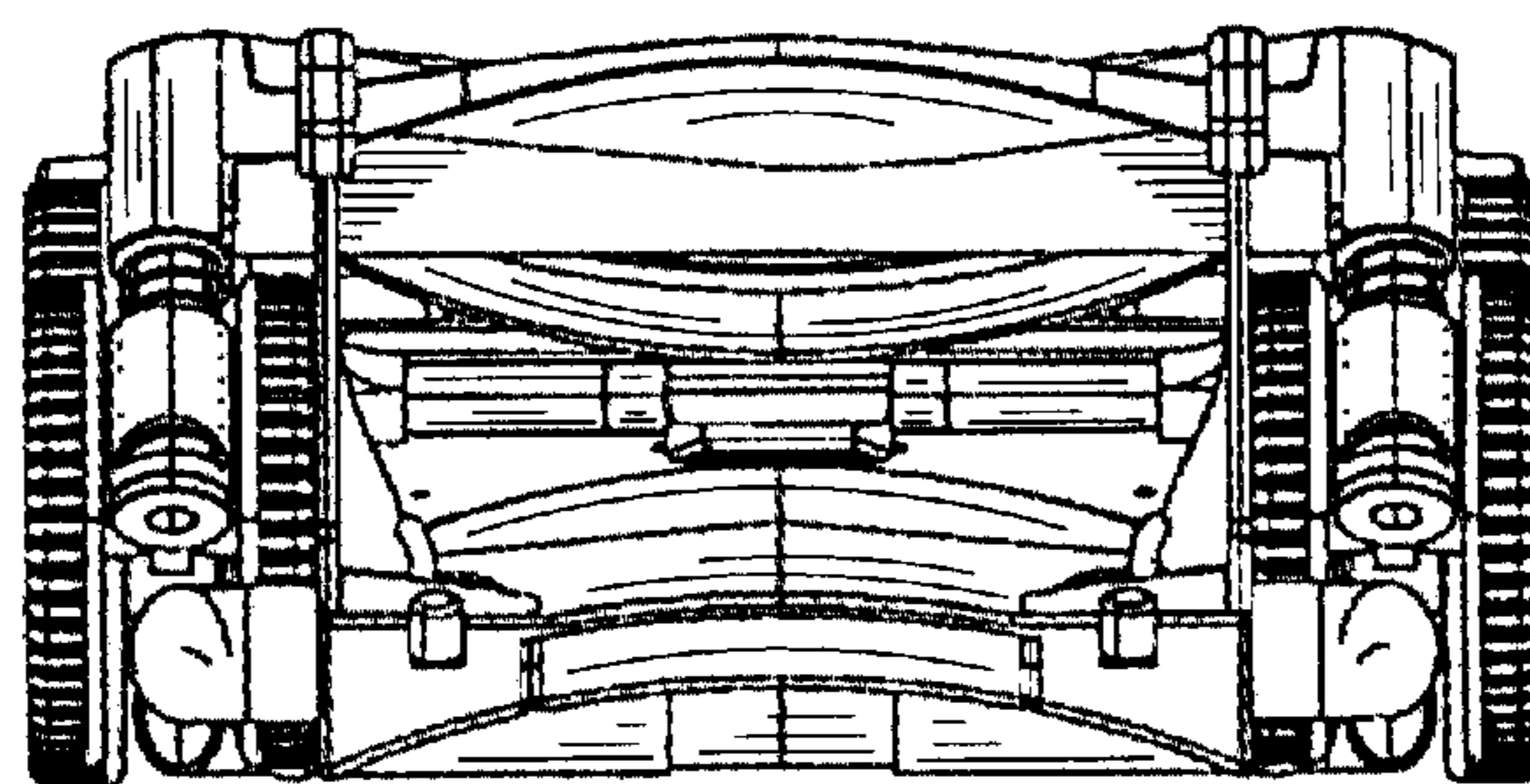




*FIG. 11*

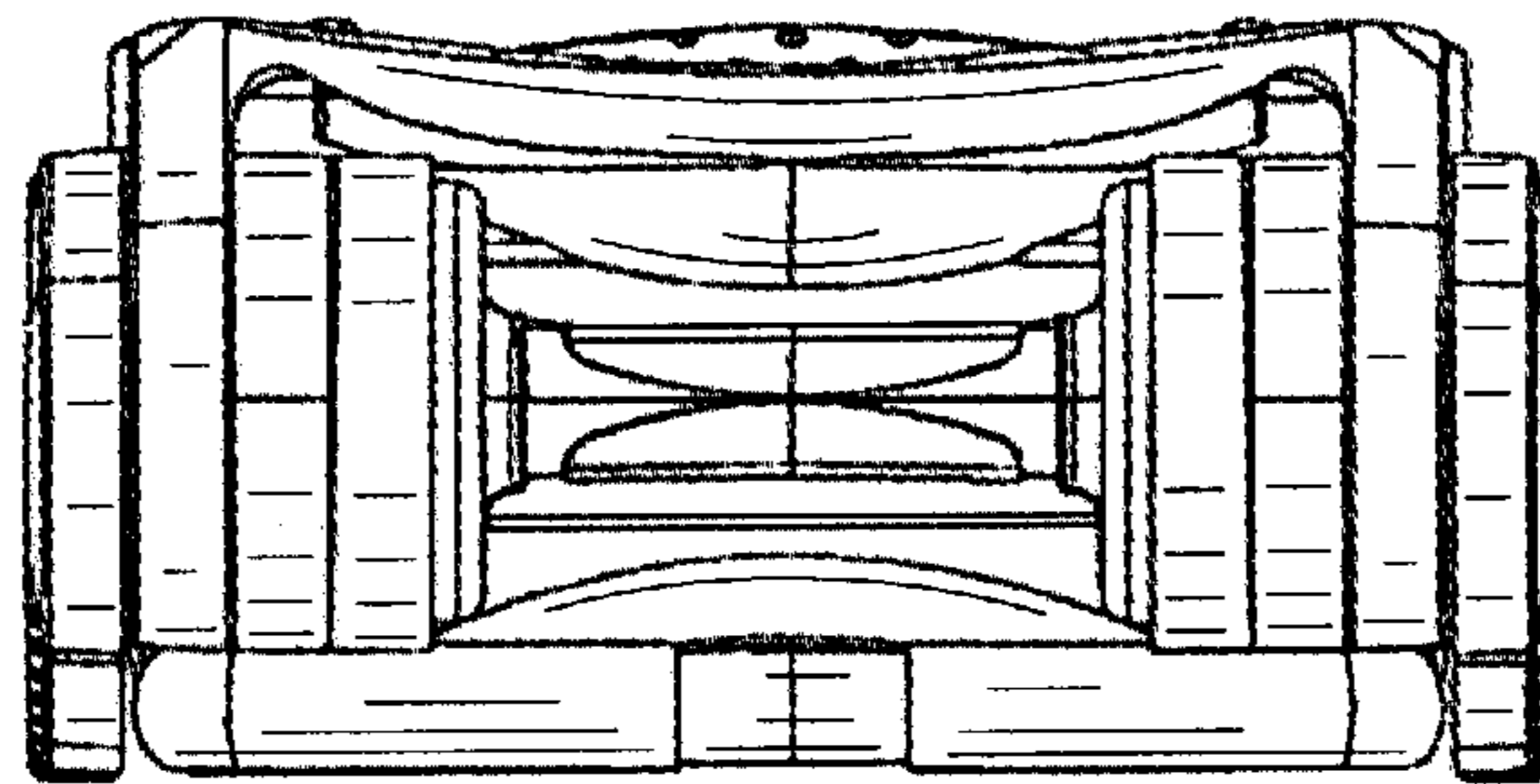


*FIG. 12*



*FIG. 13*





*FIG. 14*