



US00D524694S

(12) **United States Design Patent**
Funo et al.

(10) **Patent No.:** **US D524,694 S**
(45) **Date of Patent:** **** Jul. 11, 2006**

(54) **BUCKLE**

(75) Inventors: **Yasuaki Funo**, Kurobe (JP); **Ryukichi Murai**, Toyama (JP)

(73) Assignee: **YKK Corporation**, Tokyo (JP)

(**) Term: **14 Years**

(21) Appl. No.: **29/229,542**

(22) Filed: **May 9, 2005**

(30) **Foreign Application Priority Data**

Nov. 22, 2004 (JP) 2004-035636

(51) **LOC (8) Cl.** **02-07**

(52) **U.S. Cl.** **D11/216**

(58) **Field of Classification Search** D11/200,
D11/201, 208–210, 212–218, 220, 230–234,
D11/237, 86–87, 94; 63/15.2, 15; 24/307,
24/625, 616, 200, 196, 171, 169, 112, 615
See application file for complete search history.

(56) **References Cited**

U.S. PATENT DOCUMENTS

D340,122 S	*	10/1993	Wakabayashi	D11/218
D439,202 S	*	3/2001	Takabayashi	D11/215
D447,088 S	*	8/2001	Anscher	D11/216
6,351,876 B1		3/2002	Uehara		
D471,485 S	*	3/2003	Schlatter	D11/200
6,622,355 B1		9/2003	Buscart et al.		

* cited by examiner

Primary Examiner—Ralf Seifert

(74) *Attorney, Agent, or Firm*—Everest Intellectual Property Law Group; Michael S. Leonard

(57) **CLAIM**

The ornamental design for a buckle, as shown and described.

DESCRIPTION

FIG. 1 is a front view of a buckle of the claimed design.

FIG. 2 is a rear view of the buckle of FIG. 1.

FIG. 3 is a plan view of the buckle of FIG. 1.

FIG. 4 is a bottom view of the buckle of FIG. 1.

FIG. 5 is a right side view of the buckle of FIG. 1.

FIG. 6 is a perspective view of the buckle of FIG. 1.

FIG. 7 is an explanatory perspective view showing the buckle of FIG. 1 in use.

FIG. 8 is an explanatory side view showing the buckle of FIG. 1 in use.

FIG. 9 is a front view of a male member of the buckle of FIG. 1.

FIG. 10 is a rear view of the male member of FIG. 9.

FIG. 11 is a plan view of the male member of FIG. 9.

FIG. 12 is a bottom view of the male member of FIG. 9.

FIG. 13 is a right side view of the male member of FIG. 9.

FIG. 14 is a perspective view of the male member of FIG. 9.

FIG. 15 is a front view of a female member of the buckle of FIG. 1.

FIG. 16 is a rear view of the female member of FIG. 15.

FIG. 17 is a plan view of the female member of FIG. 15.

FIG. 18 is a bottom view of the female member of FIG. 15.

FIG. 19 is a right side view of the female member of FIG. 15.

FIG. 20 is a perspective view of the female member of FIG. 15.

FIG. 21 is a front view of a backing member of the buckle of FIG. 1.

FIG. 22 is a rear view of the backing member of FIG. 21.

FIG. 23 is a plan view of the backing member of FIG. 21.

FIG. 24 is a bottom view of the backing member of FIG. 21.

FIG. 25 is a right side view of the backing member of FIG. 21; and,

FIG. 26 is a perspective view of the backing member of FIG. 21.

It being understood that the broken lines are for illustrative purposes only and form no part of the claimed design.

1 Claim, 11 Drawing Sheets

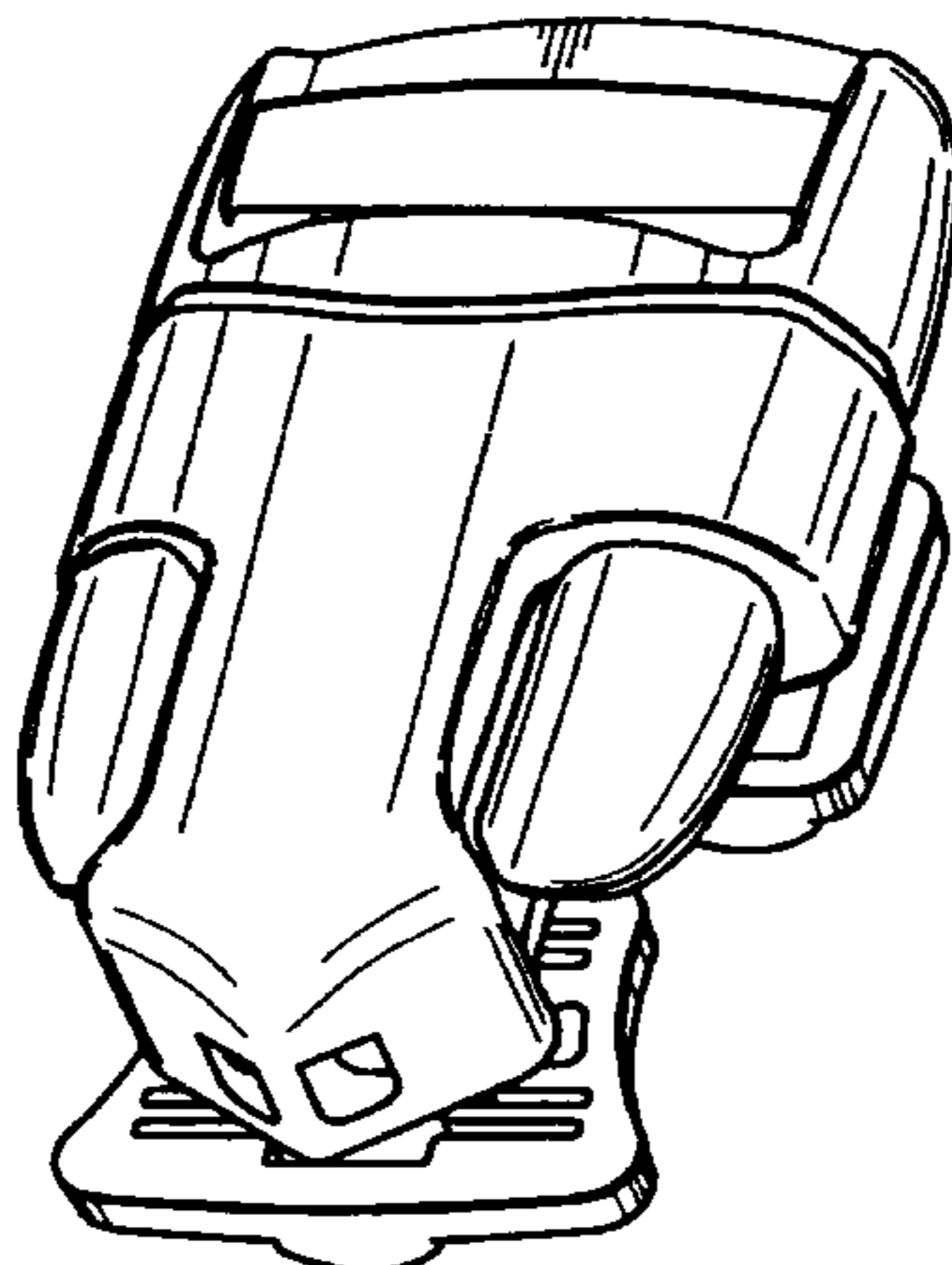


FIG. 1

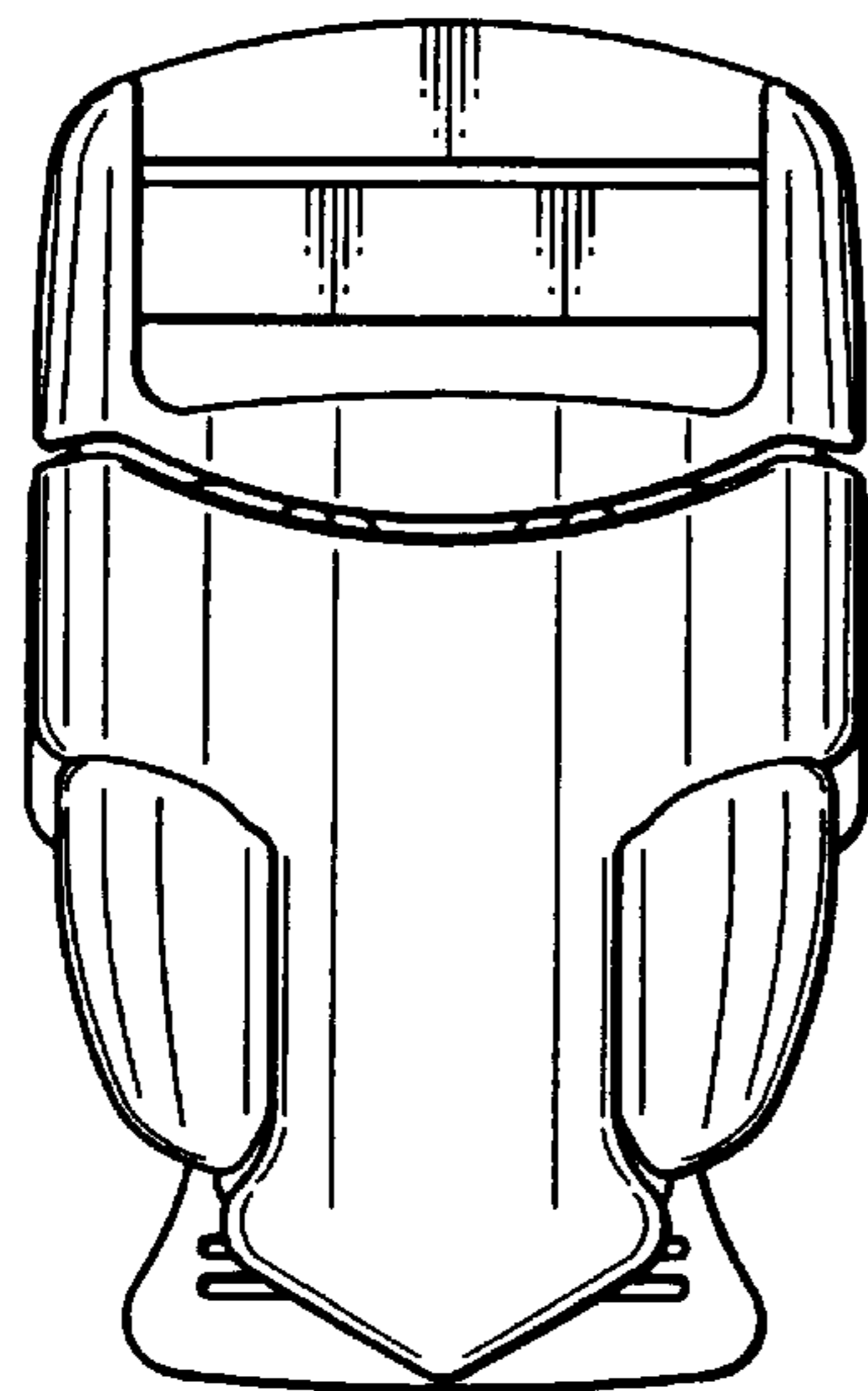


FIG. 2

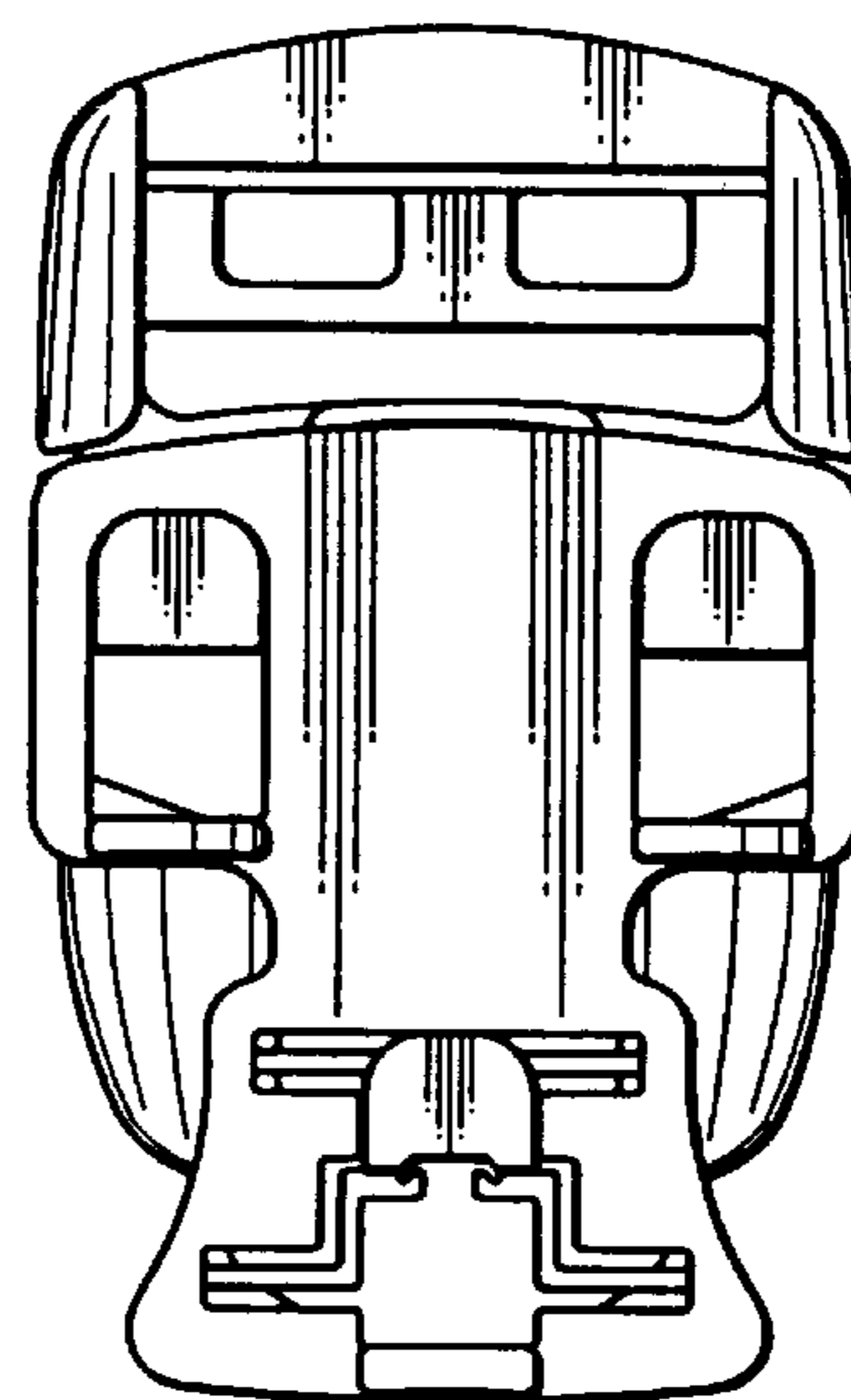


FIG. 3

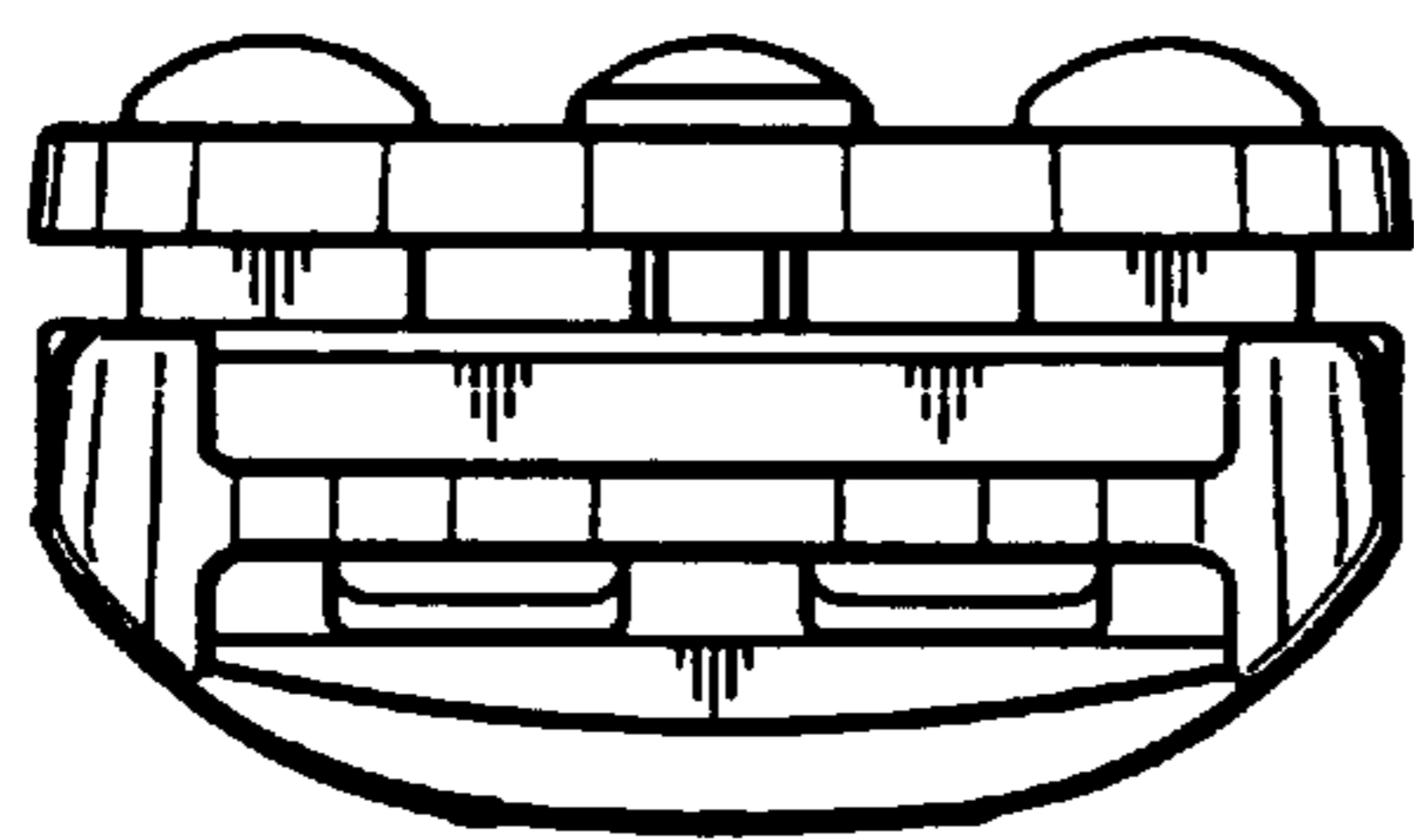


FIG. 4

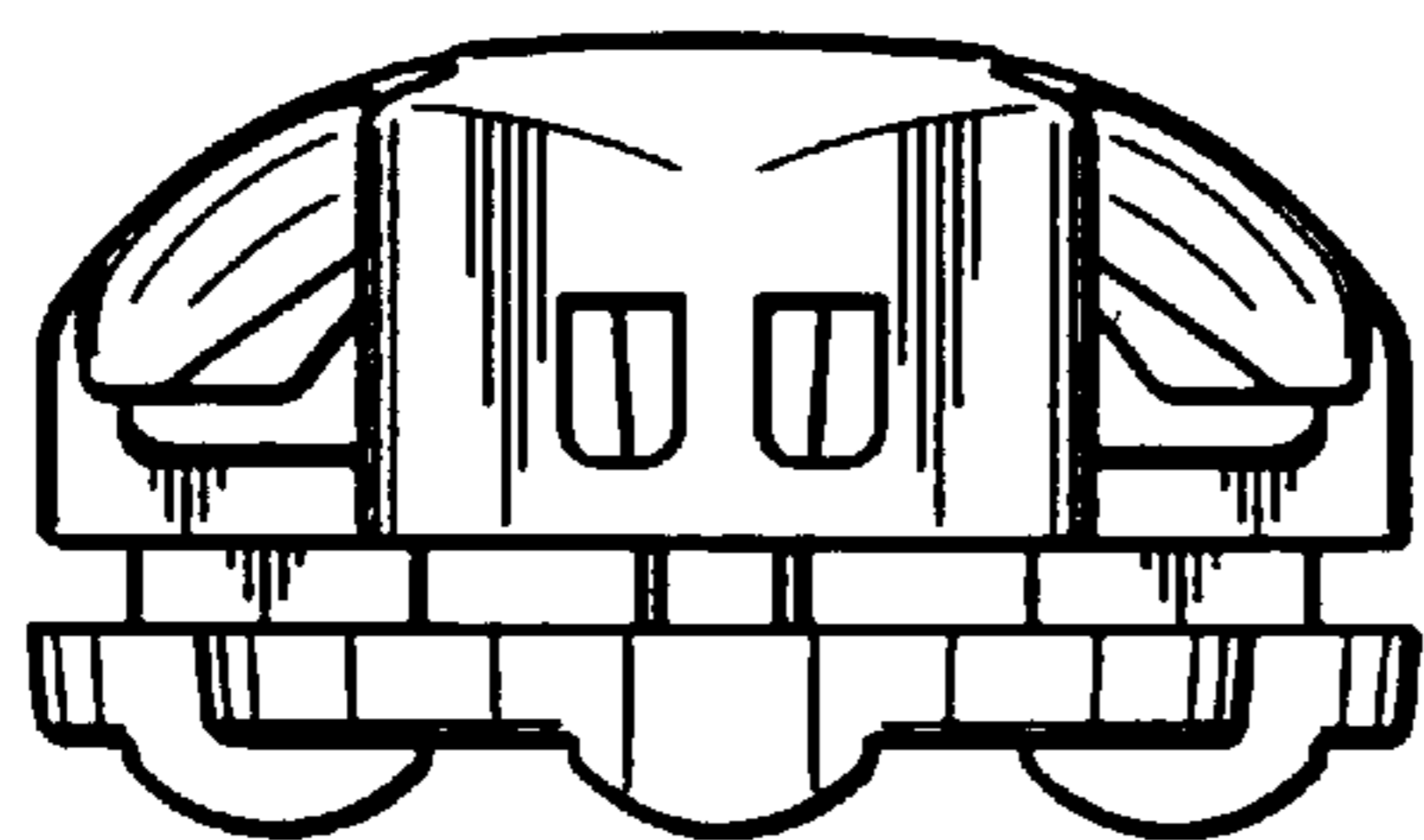


FIG. 5

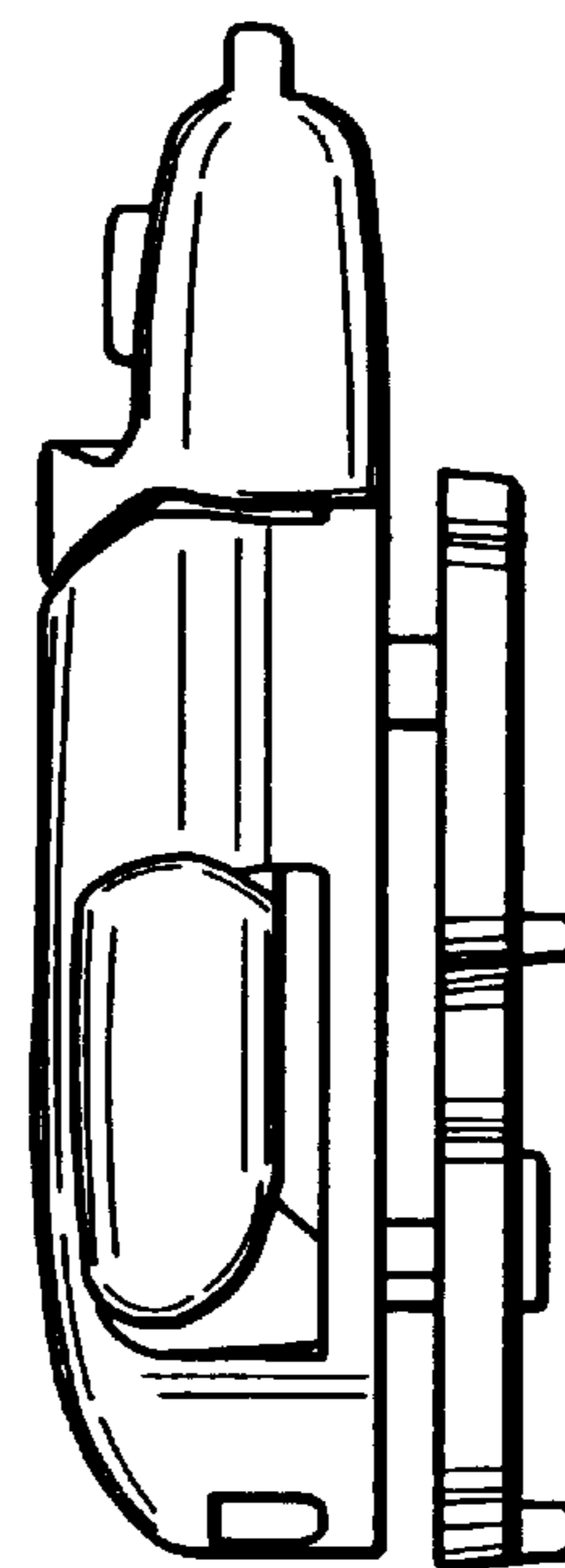
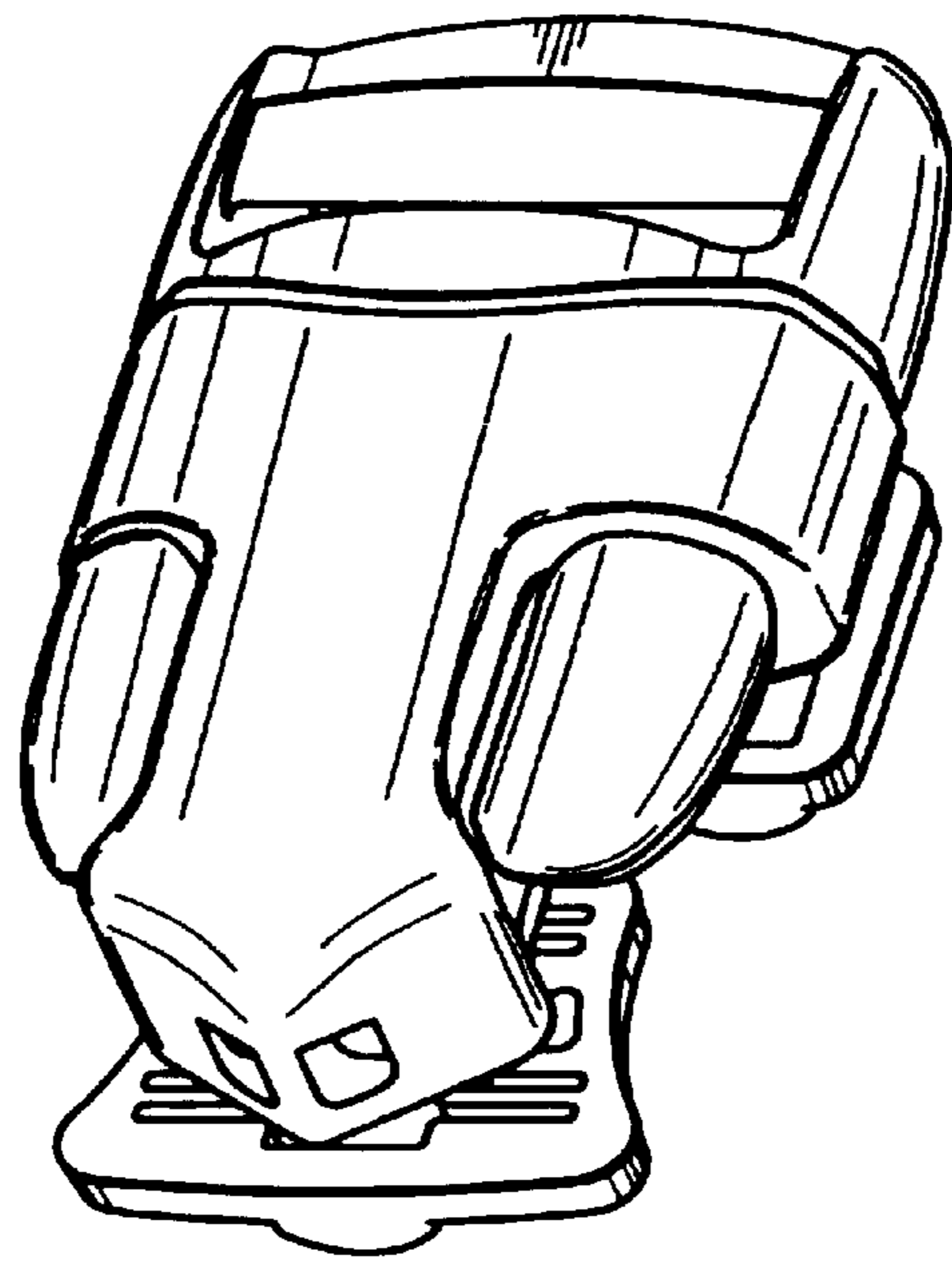


FIG. 6



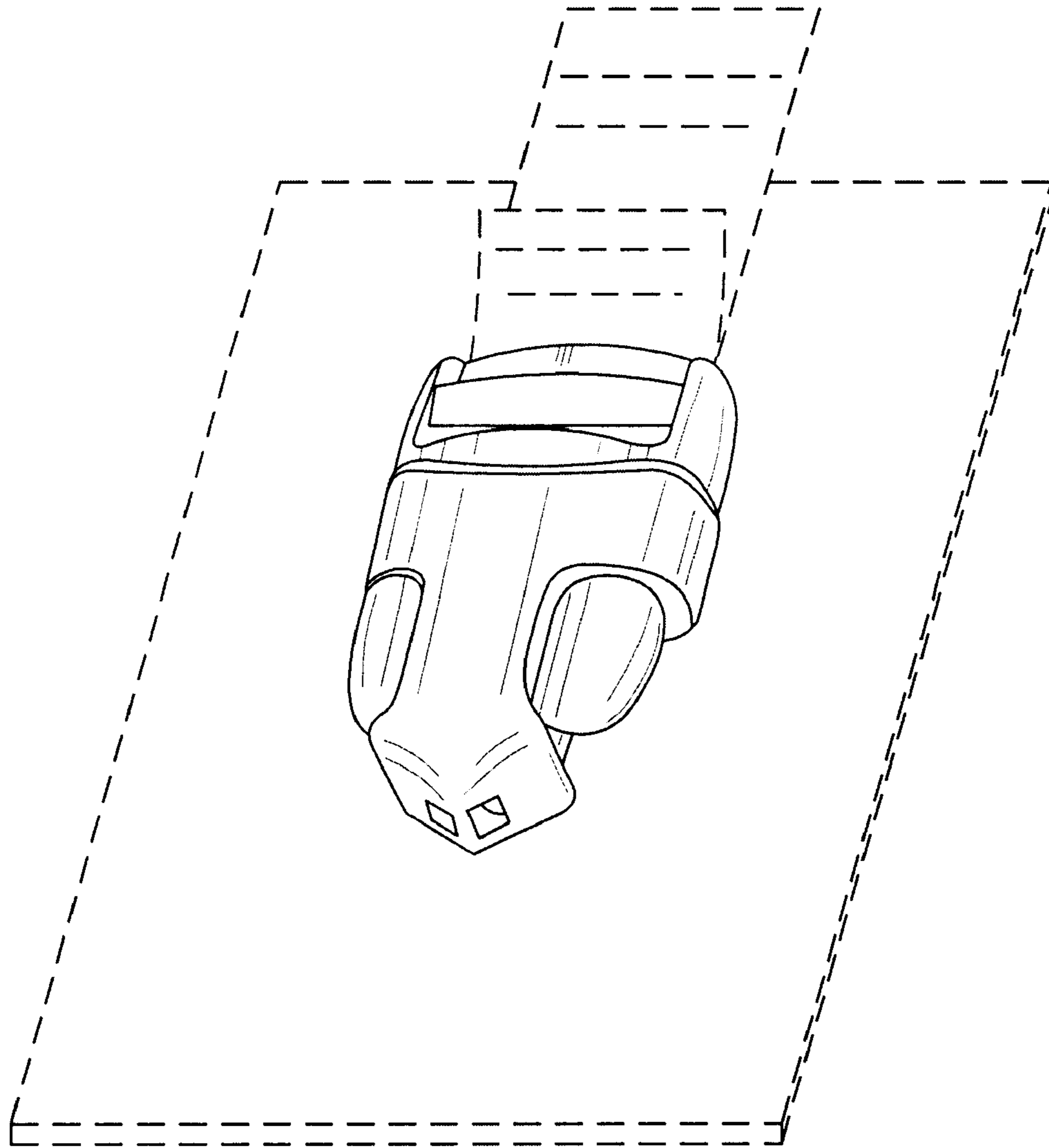


FIG. 7

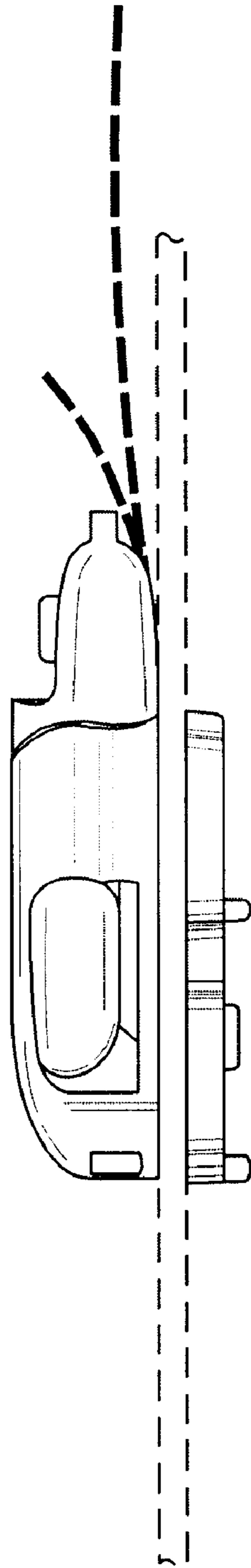


FIG. 8

FIG. 9

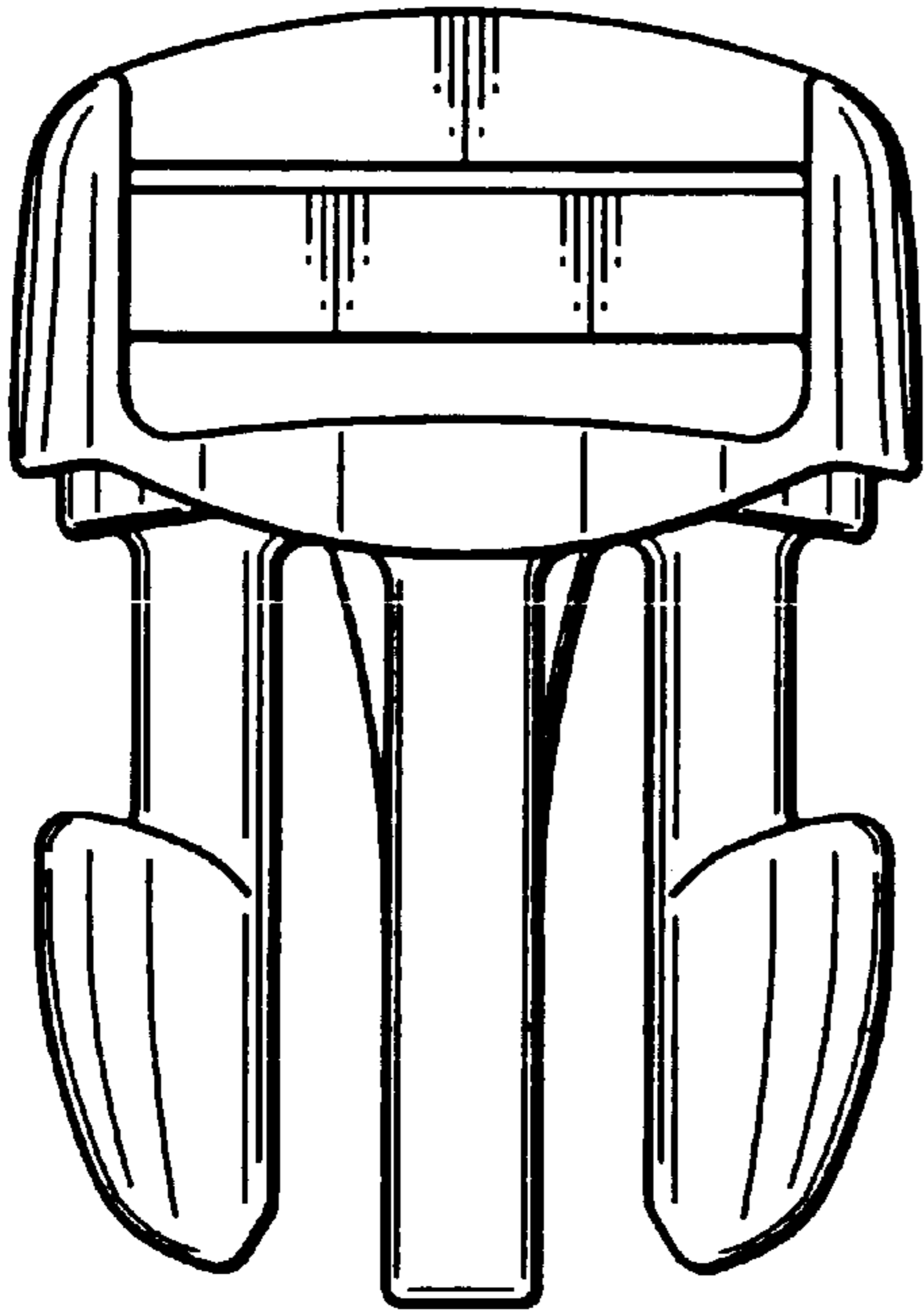


FIG. 10

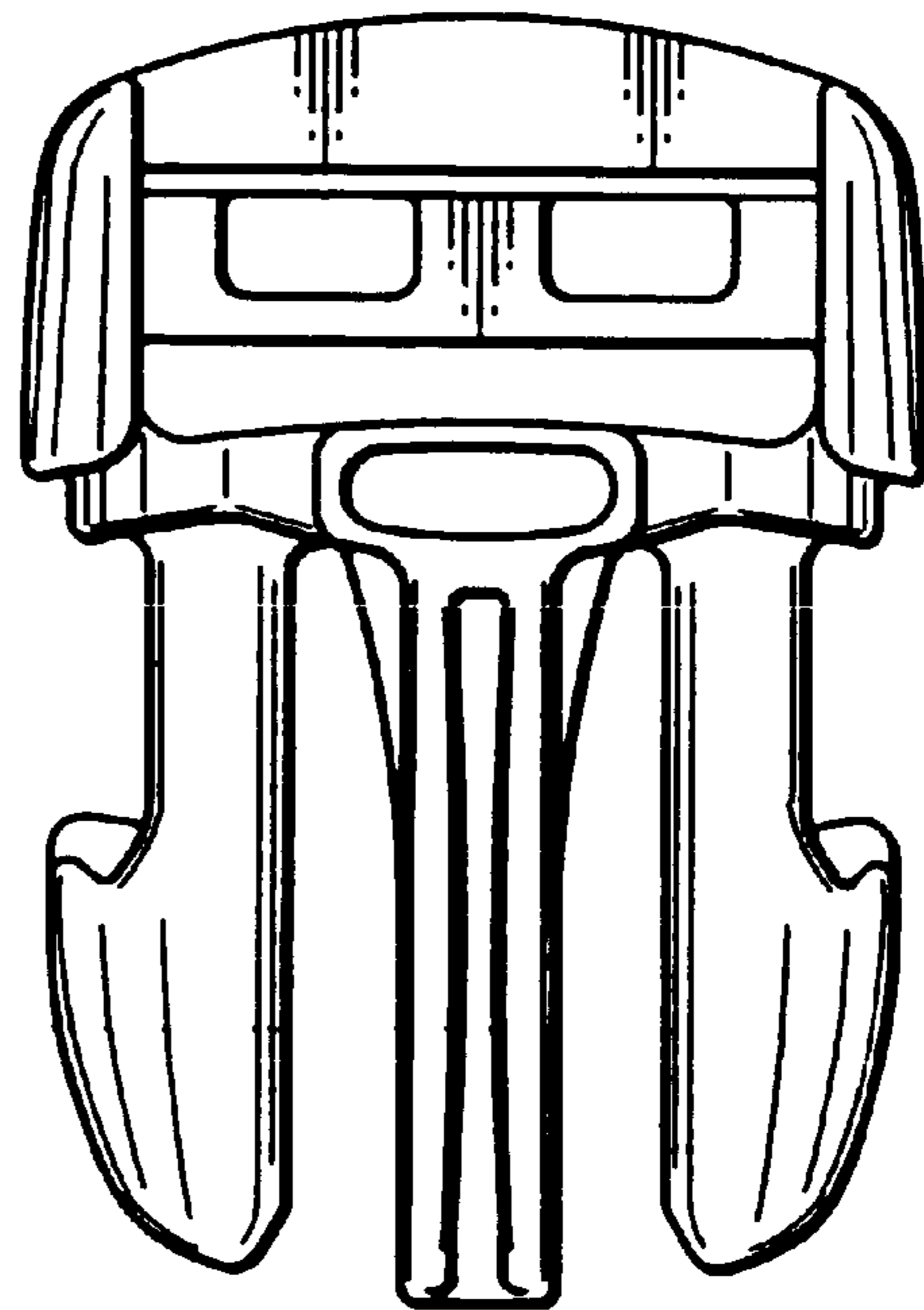


FIG. 11

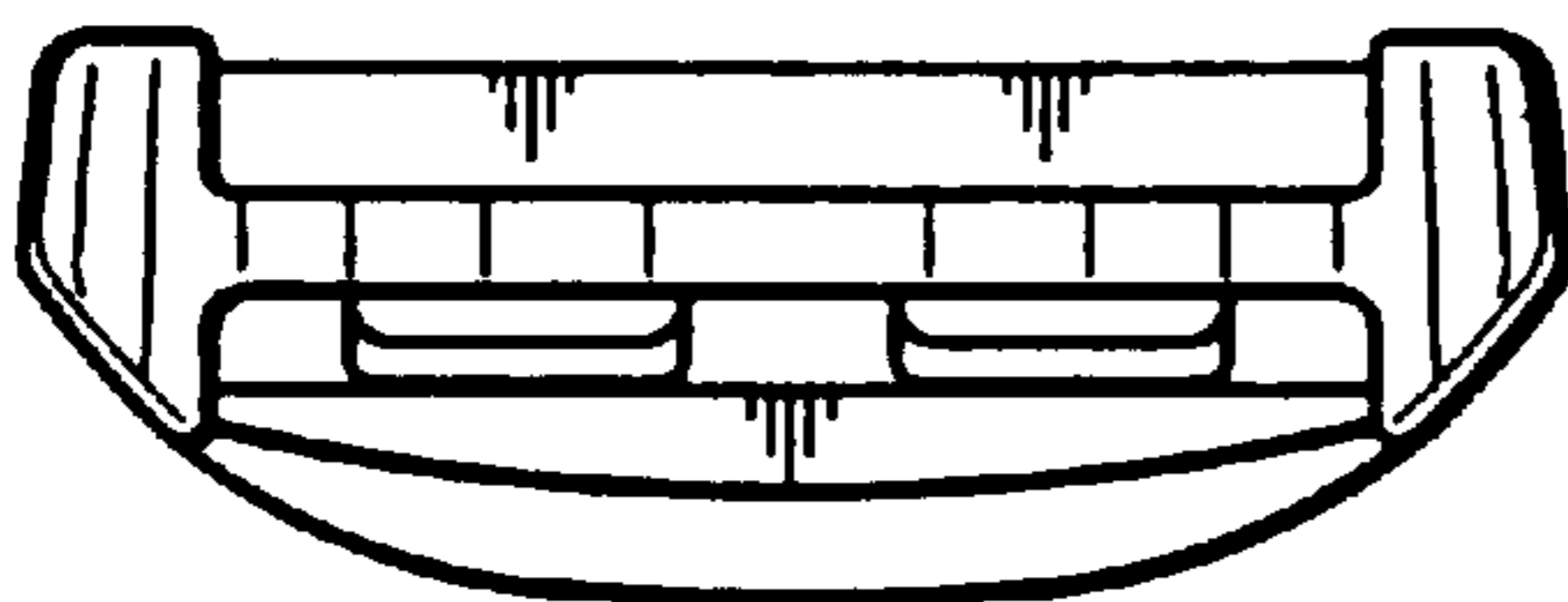


FIG. 12

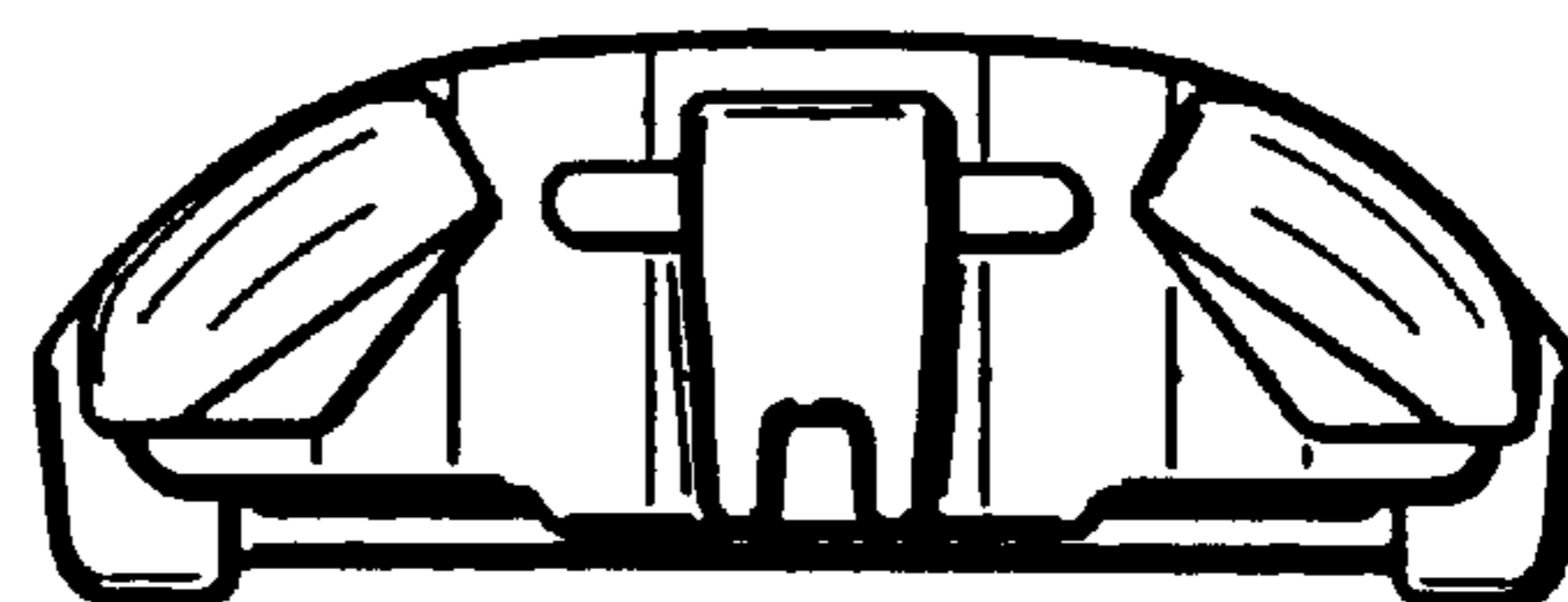


FIG. 13

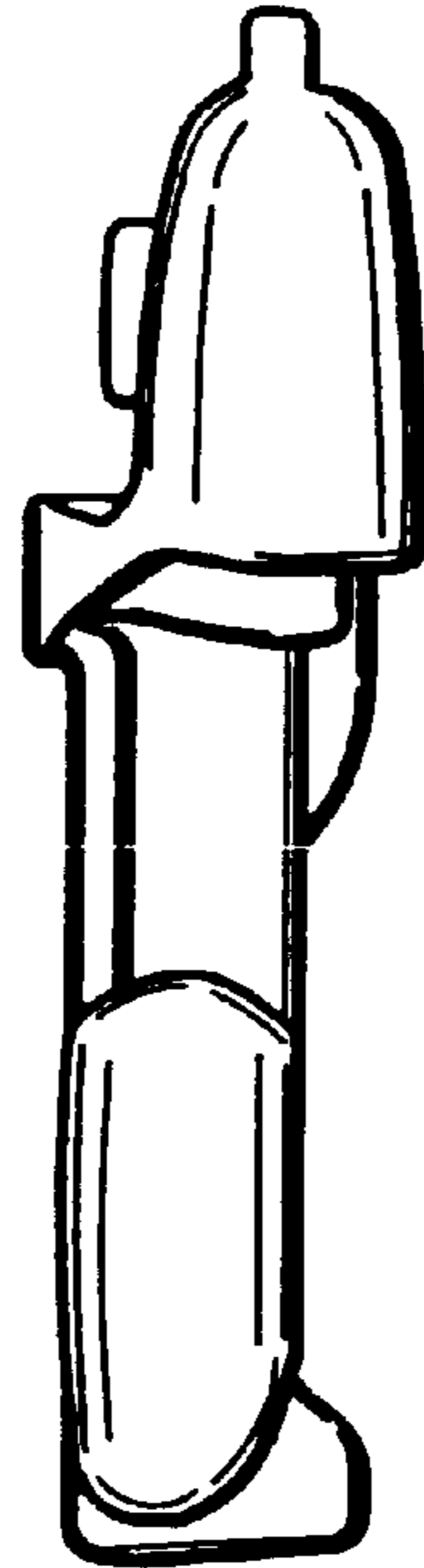


FIG. 14

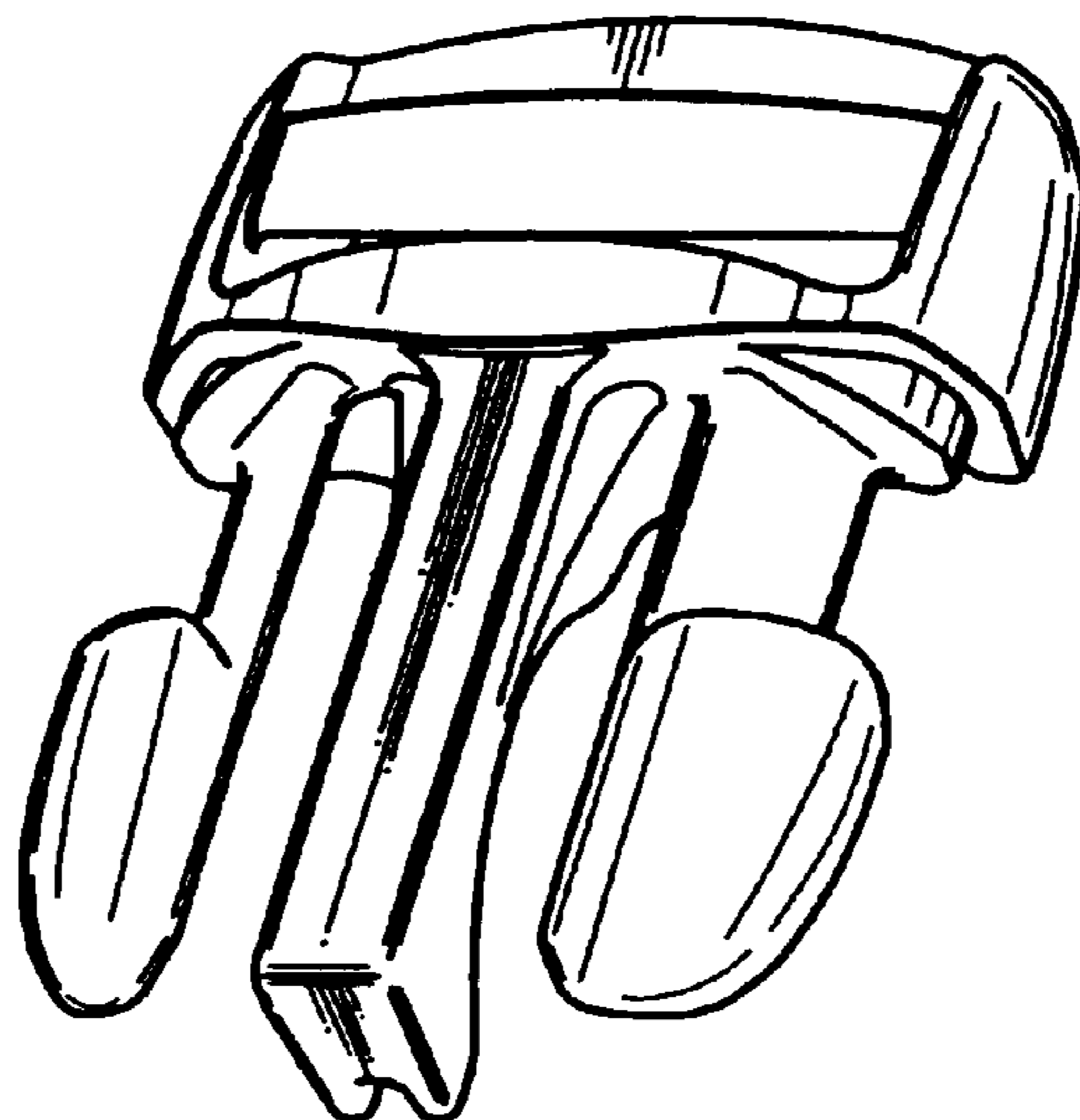


FIG. 15

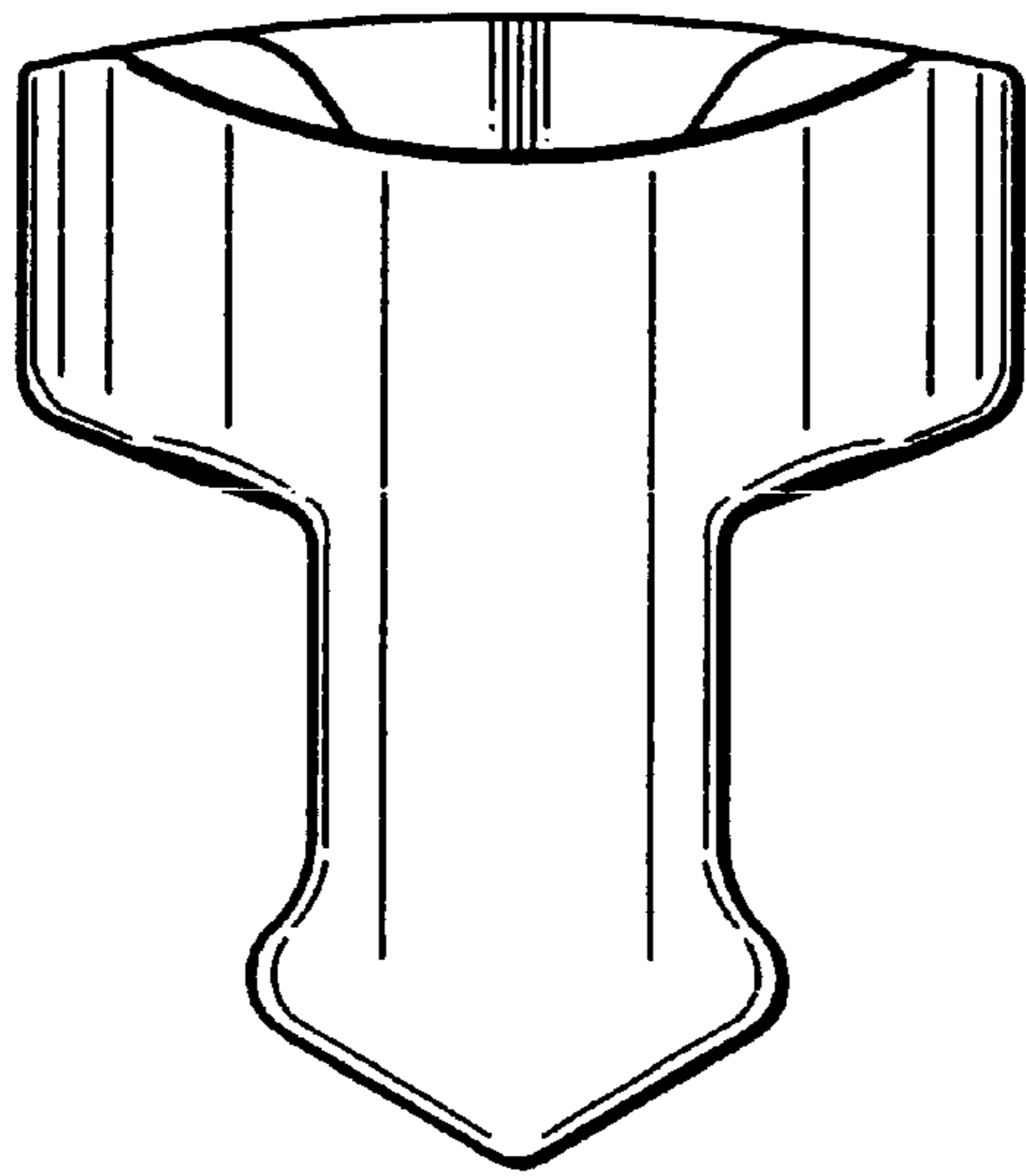


FIG. 16

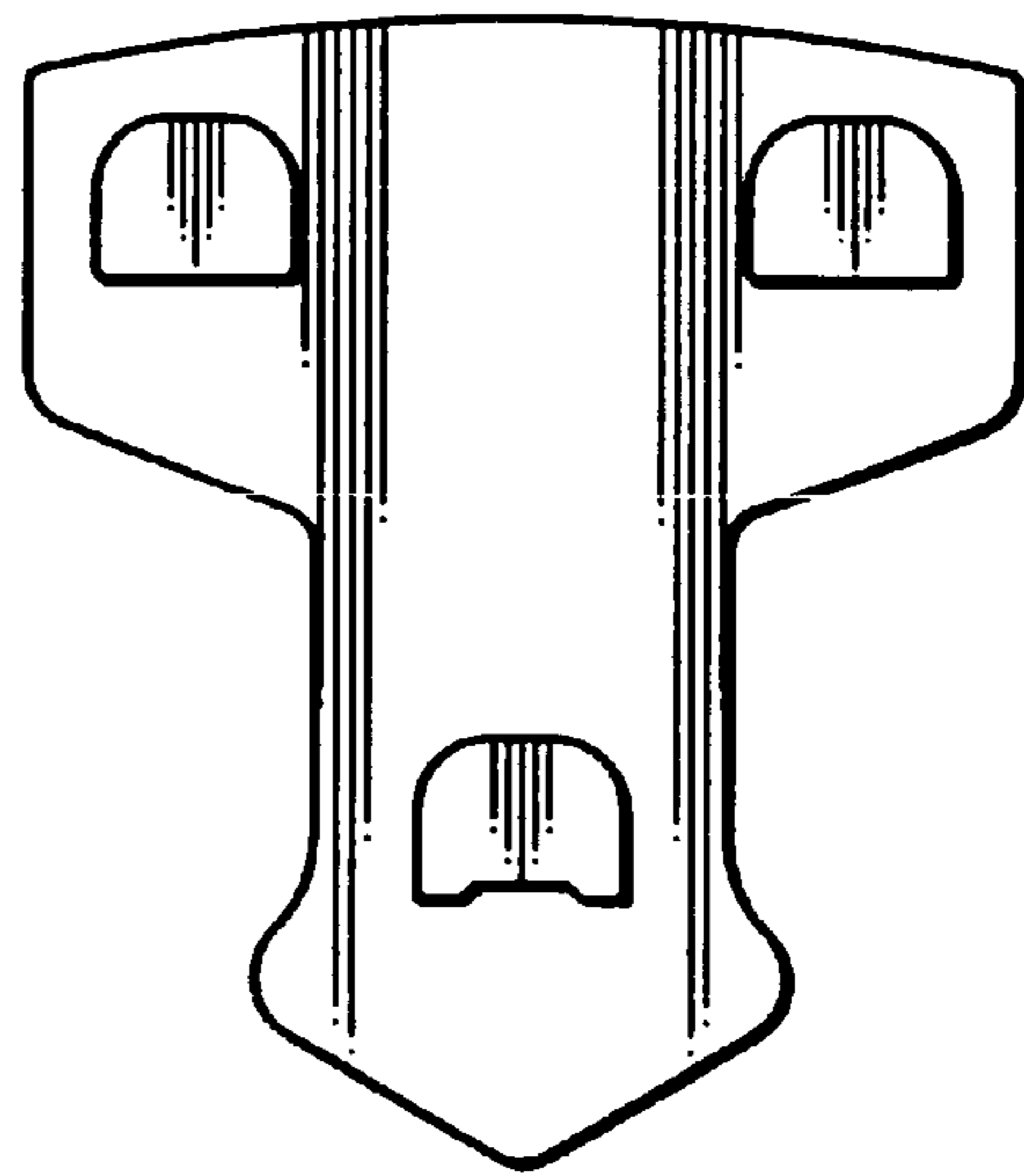


FIG. 17

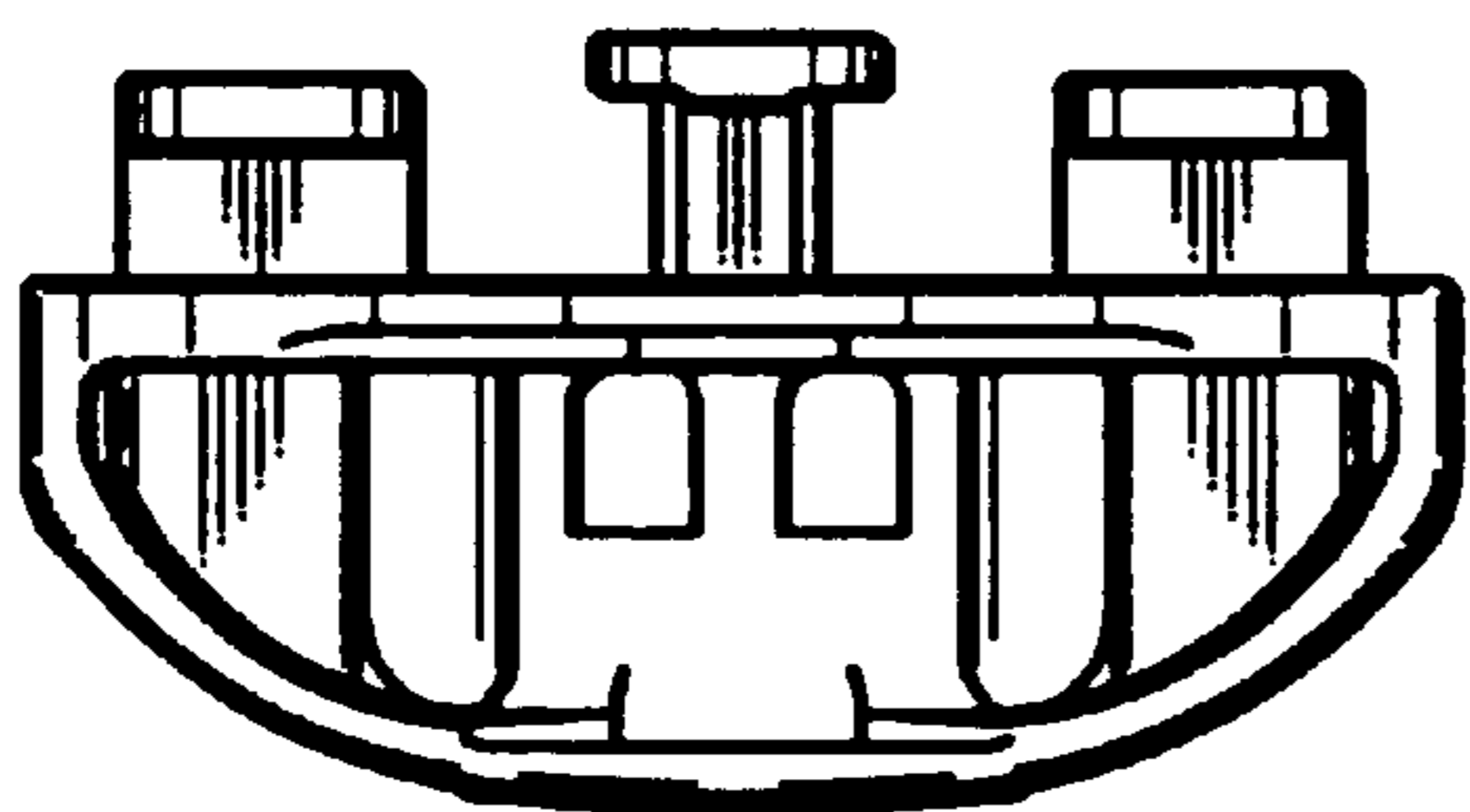


FIG. 18

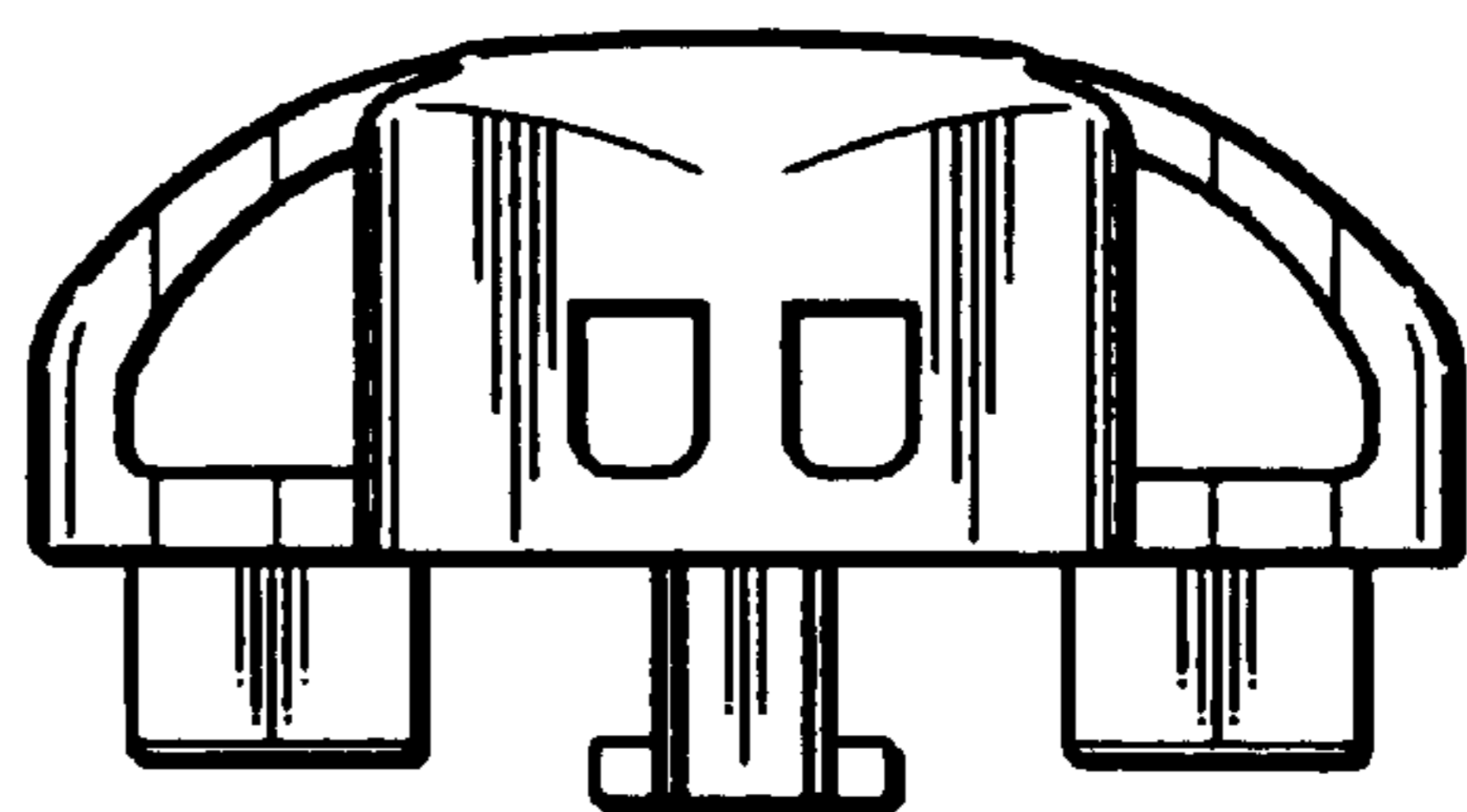


FIG. 19

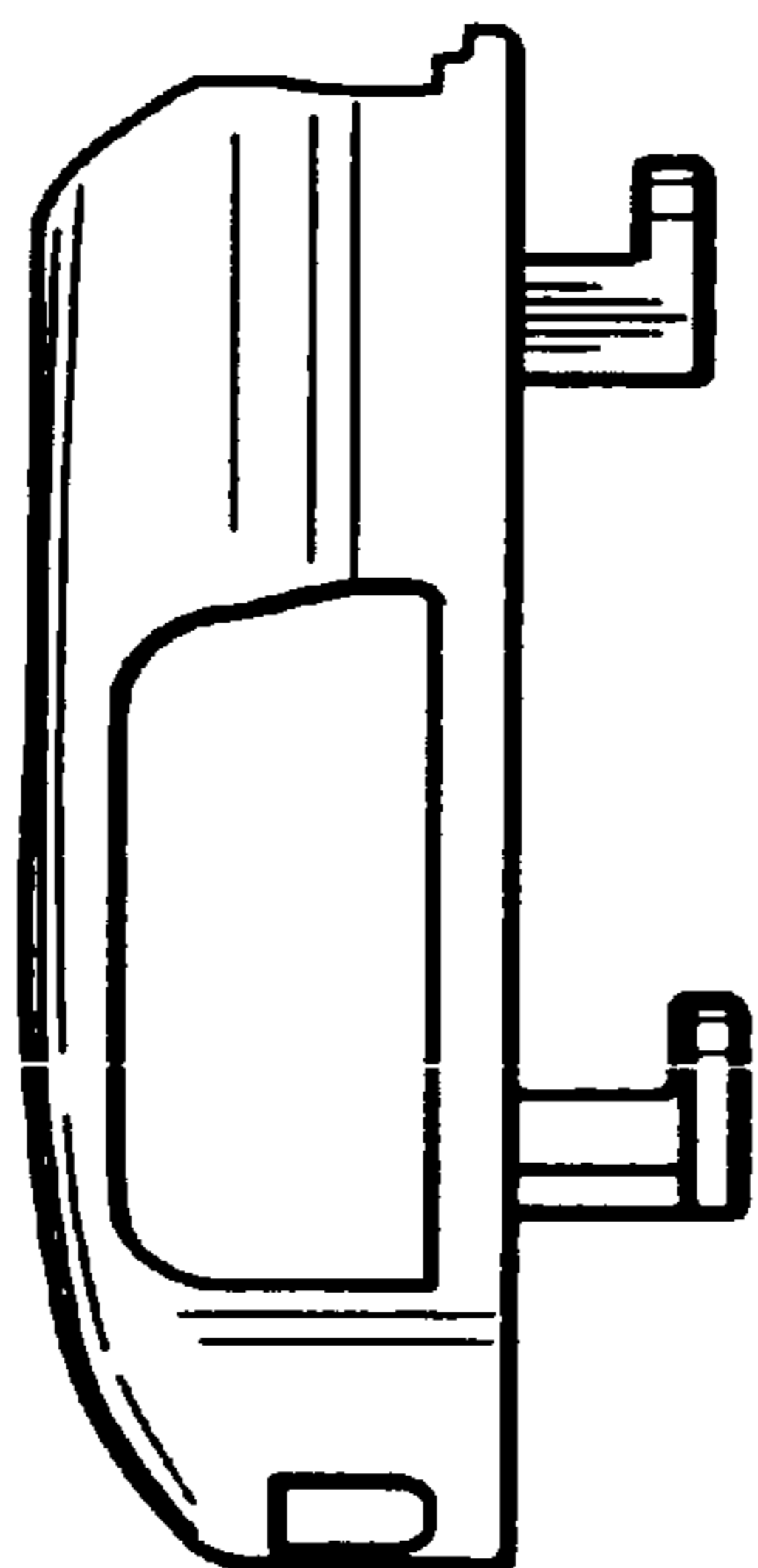


FIG. 20

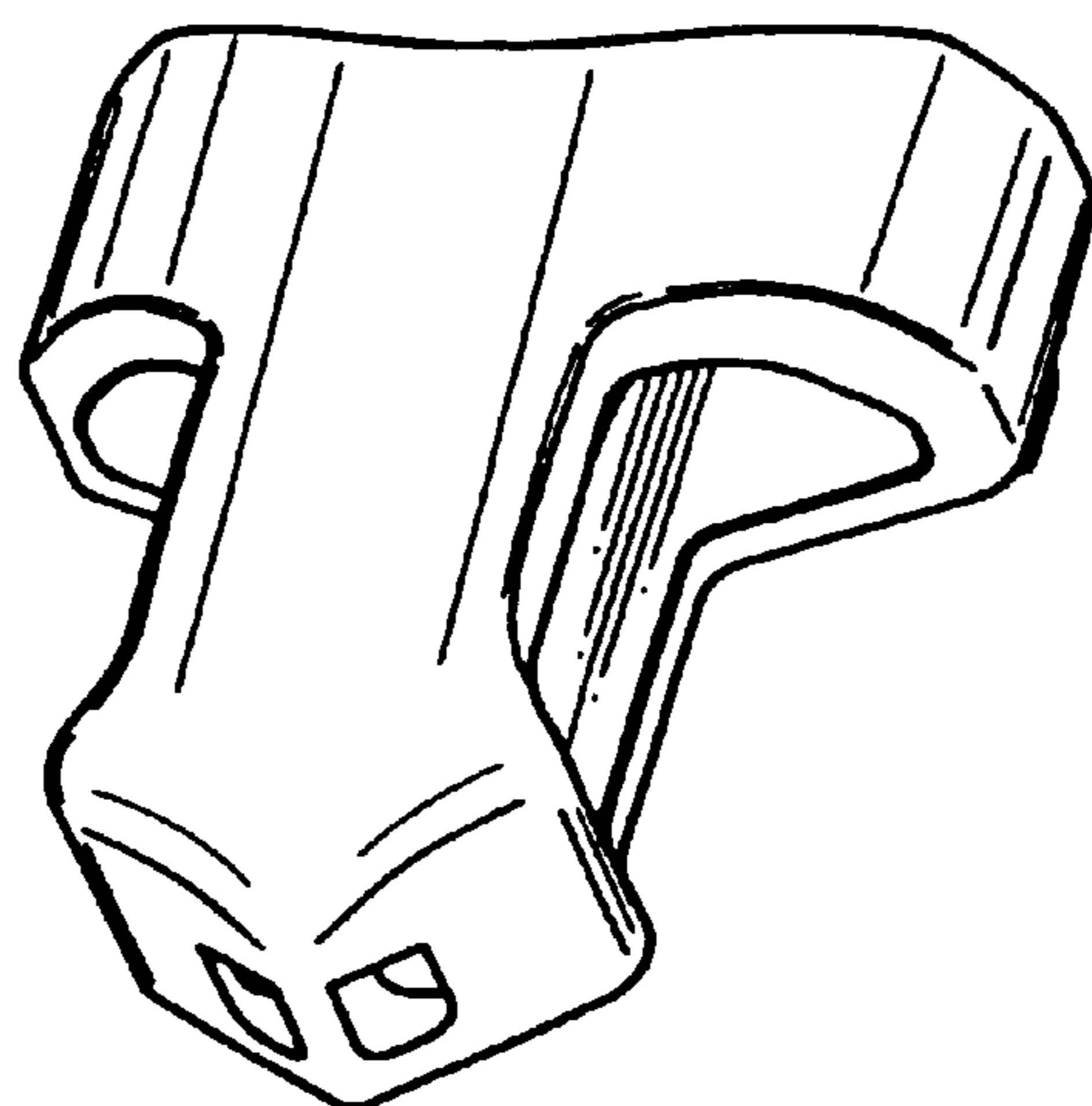


FIG. 21

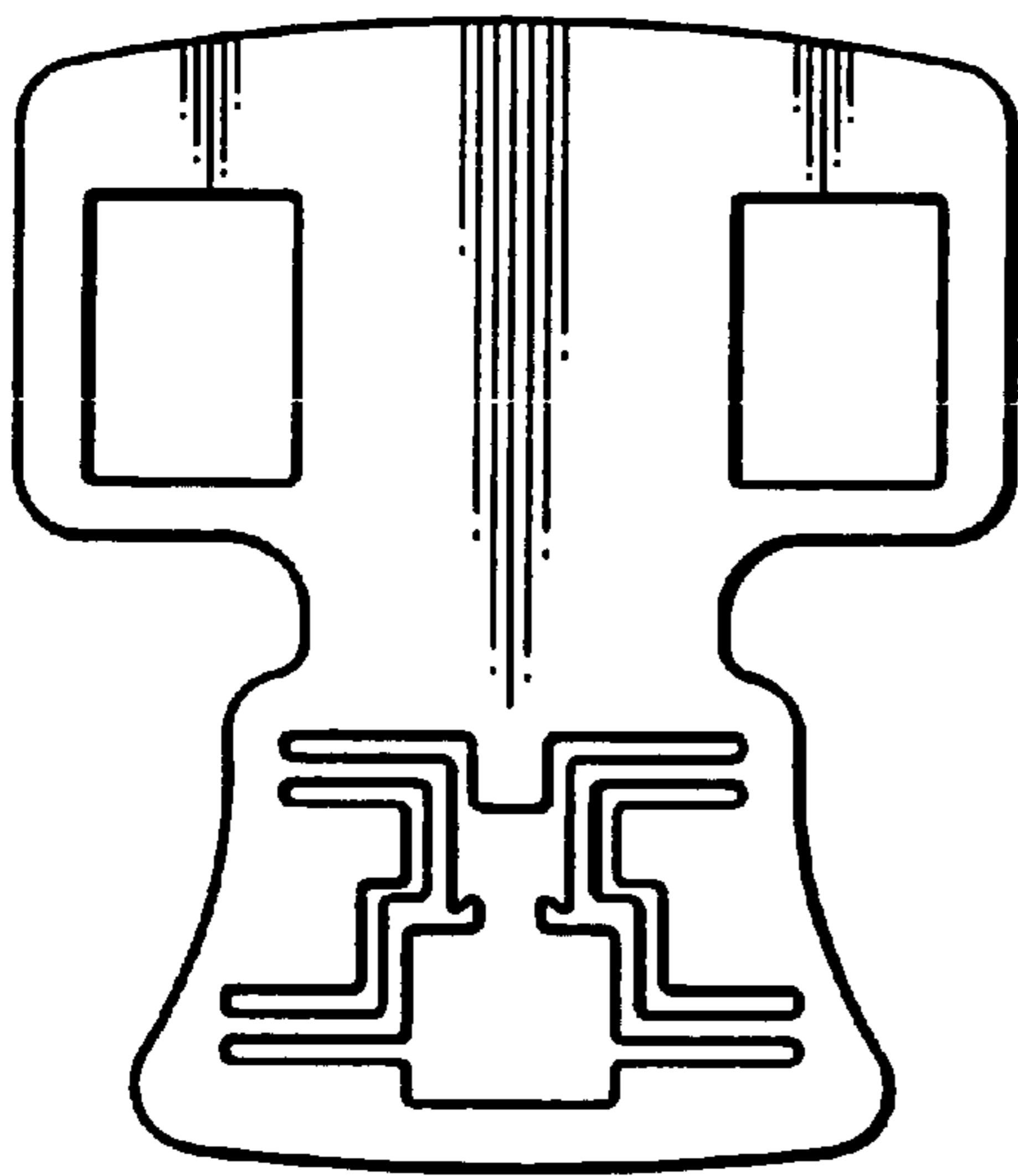


FIG. 22

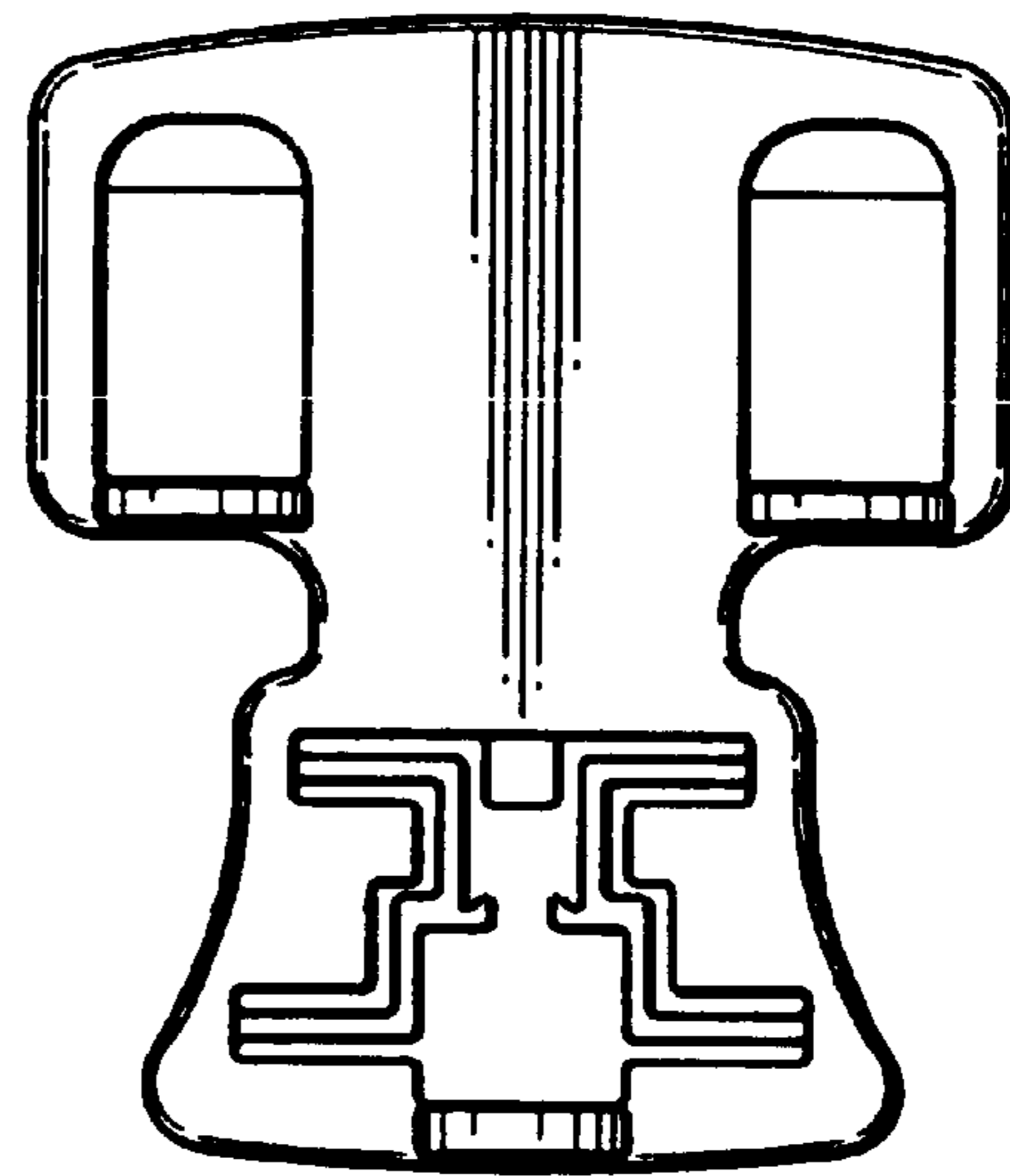


FIG. 23



FIG. 24



FIG. 25

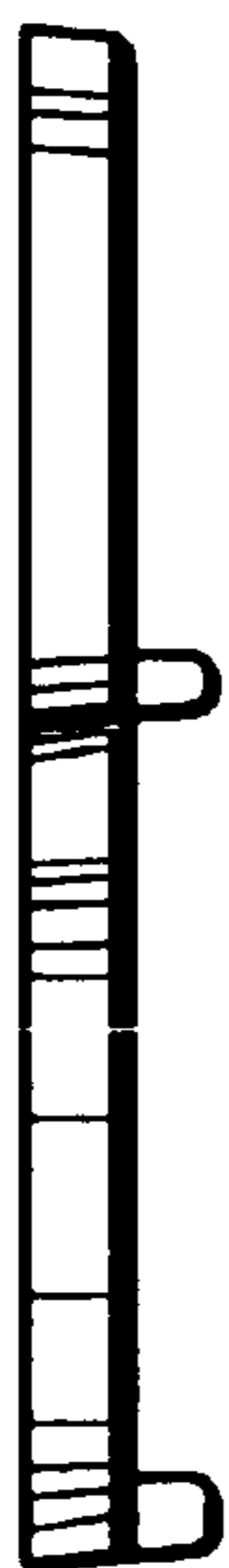


FIG. 26

