

US00D524674S

(12) **United States Design Patent**
Masters

(10) **Patent No.:** **US D524,674 S**

(45) **Date of Patent:** **** Jul. 11, 2006**

(54) **SPEAKER TIMING DEVICE**

(75) Inventor: **William E. Masters**, Greenville, SC
(US)

(73) Assignee: **Sterology Research & Design, LLC**,
Greenville, SC (US)

(**) Term: **14 Years**

(21) Appl. No.: **29/236,825**

(22) Filed: **Aug. 23, 2005**

(51) **LOC (8) Cl.** **10-07**

(52) **U.S. Cl.** **D10/122; D10/40**

(58) **Field of Classification Search** D10/40,
D10/41, 6, 115, 122; D3/271.1; D9/653,
D9/600; 368/97-100, 107-123, 10, 285,
368/276-278, 250, 243, 249, 256; D20/29
See application file for complete search history.

(56) **References Cited**

U.S. PATENT DOCUMENTS

D74,116 S	*	12/1927	Marton	D10/115
D81,694 S	*	7/1930	Horni	D10/115
2,401,171 A	*	5/1946	Leppert	362/244
2,444,748 A	*	7/1948	Parissi	368/256
D160,519 S	*	10/1950	Miller	D3/14

2,932,779 A	*	4/1960	Tancig	318/466
D228,368 S	*	9/1973	Slavsky	D10/115
4,845,689 A	*	7/1989	Vole	368/82
D315,696 S	*	3/1991	Kearns	D10/115
D437,788 S	*	2/2001	Palmos	D10/6
D468,218 S	*	1/2003	Greenberg et al.	D10/40
D478,010 S	*	8/2003	Chen	D10/2

* cited by examiner

Primary Examiner—Lucy Lieberman

(74) *Attorney, Agent, or Firm*—McNair Law Firm, PA;
Cort Flint

(57) **CLAIM**

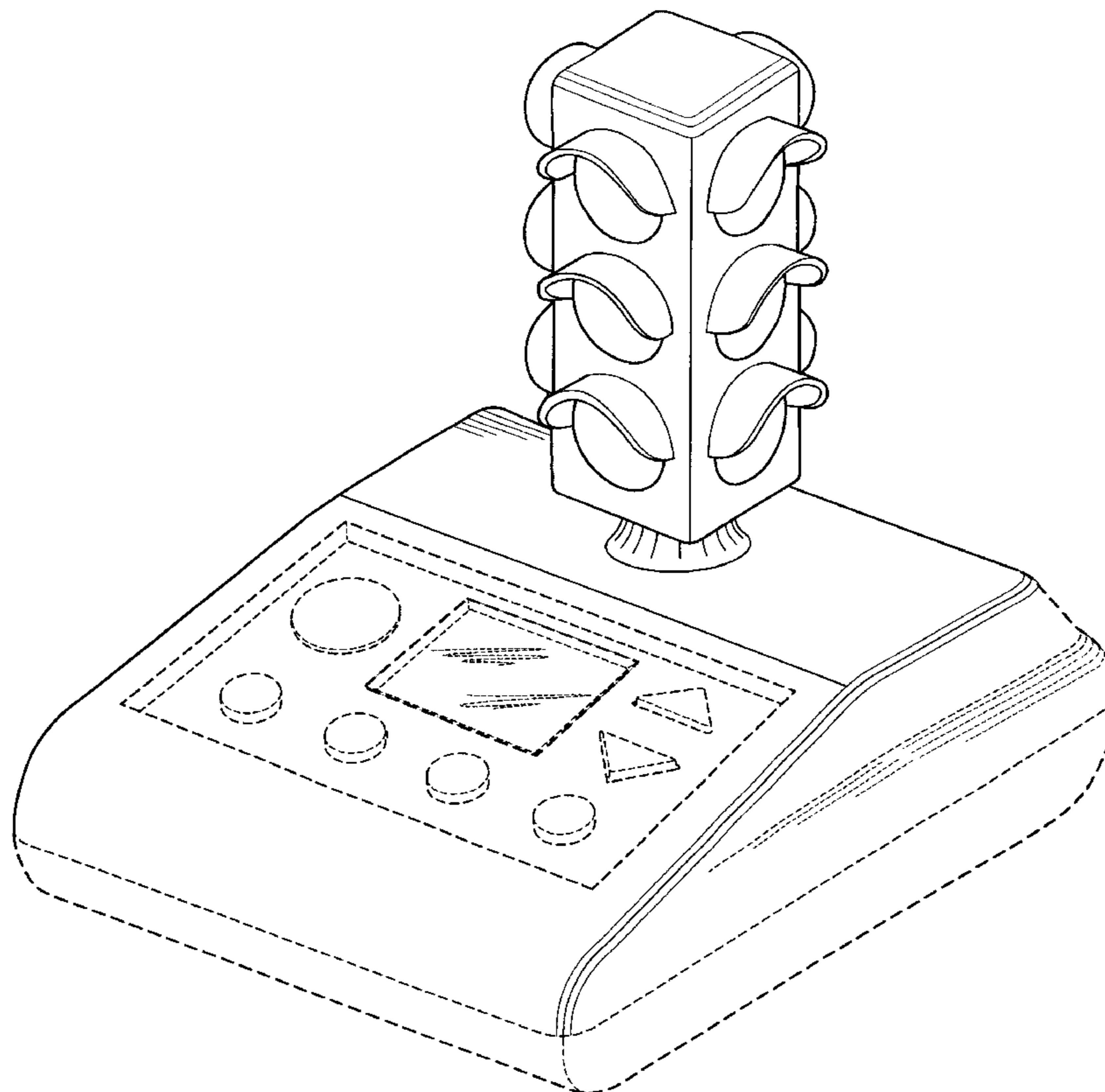
The ornamental design for a speaker timing device, as shown and described.

DESCRIPTION

FIG. 1 is a perspective view of my new speaker timing device taken from the right front;
FIG. 2 is a front view of my new design;
FIG. 3 is a rear view of my new design;
FIG. 4 is a left side view of my new design; and,
FIG. 5 is a right side view of my new design.

The broken line illustration of environmental structure in the drawing is not part of the design sought to be patented.

1 Claim, 3 Drawing Sheets



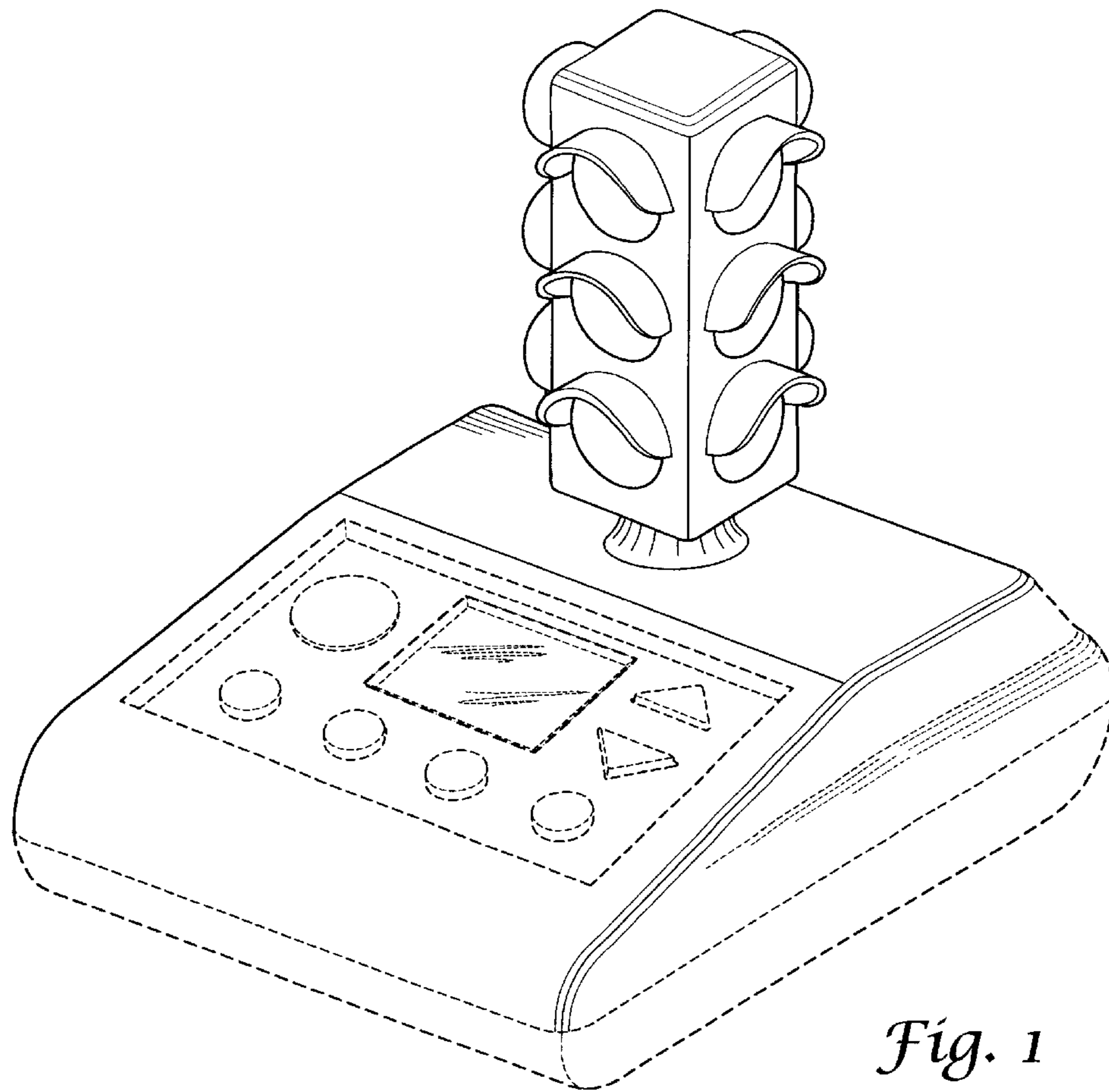


Fig. 1

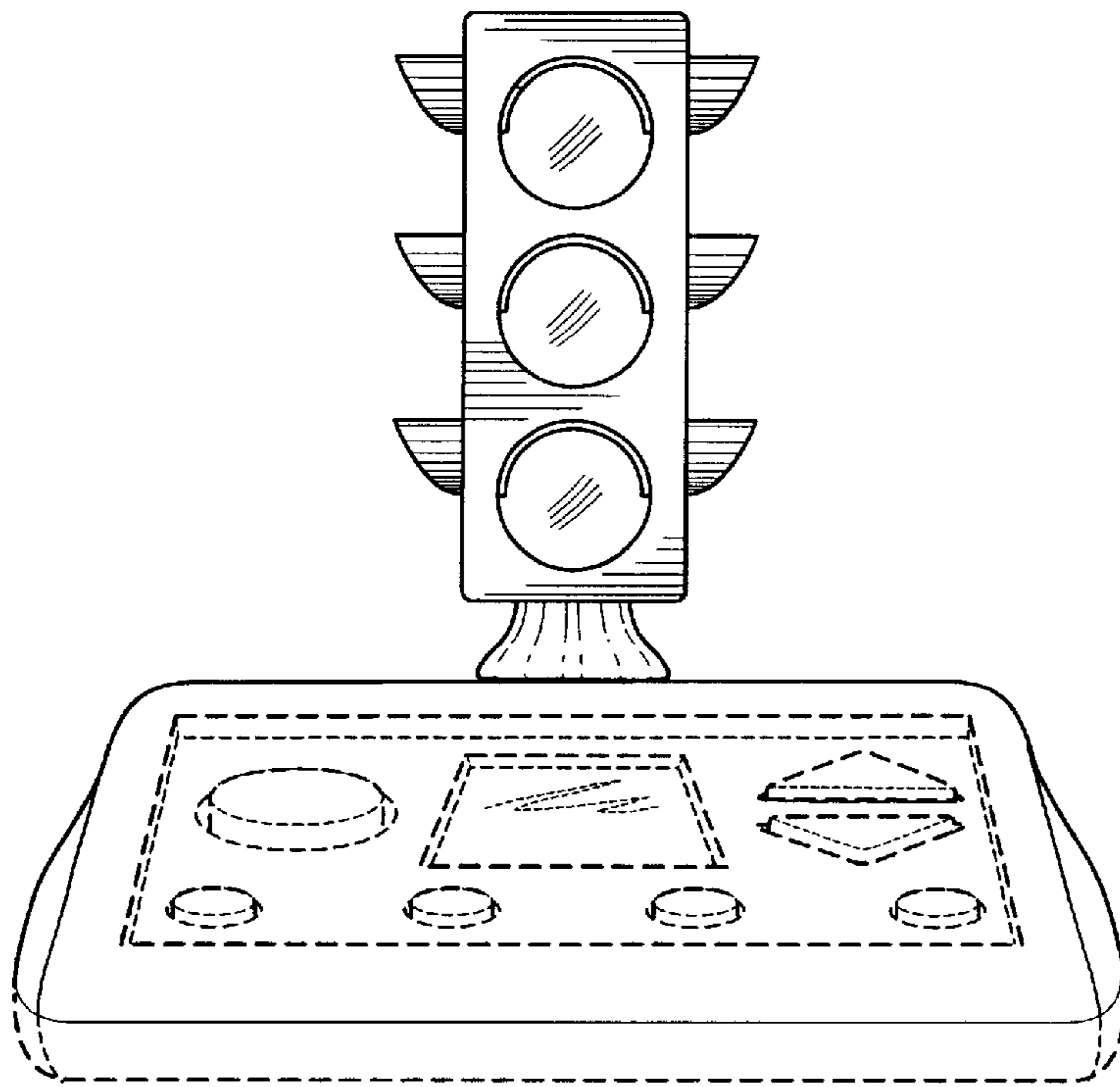


Fig. 2

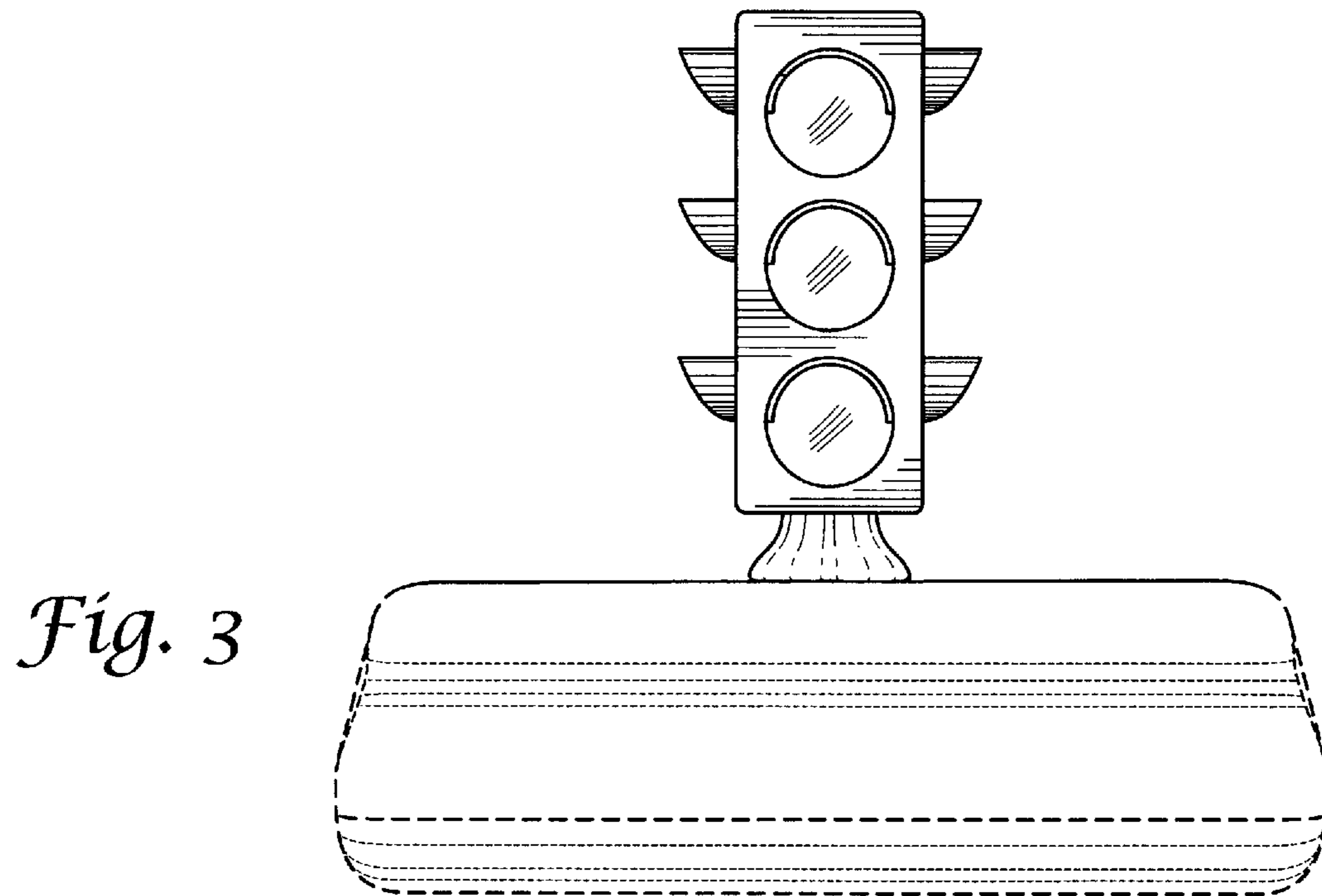


Fig. 3

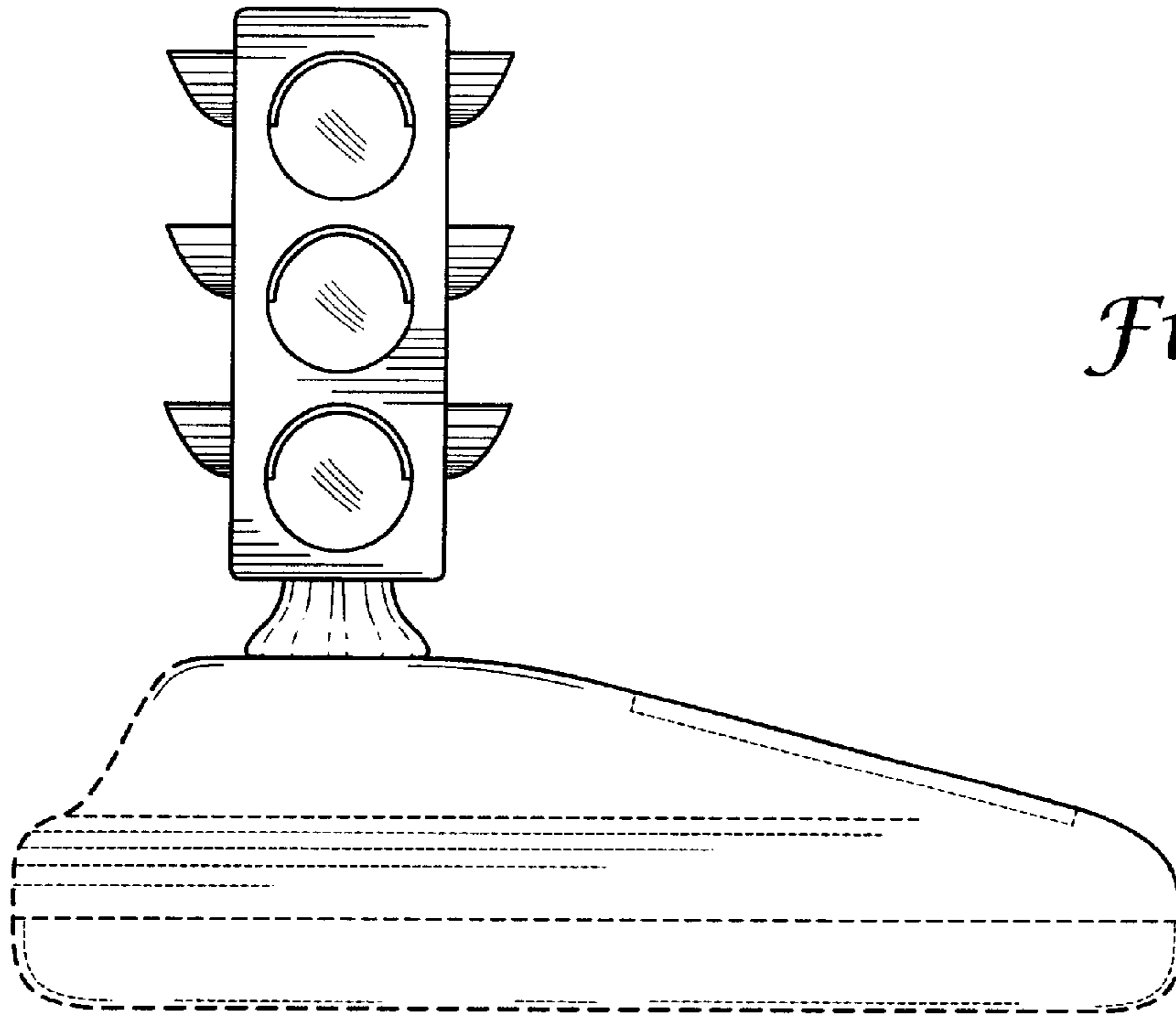


Fig. 4

Fig. 5

