

US00D524671S

(12) **United States Design Patent**
Huang

(10) **Patent No.:** **US D524,671 S**

(45) **Date of Patent:** **** Jul. 11, 2006**

(54) **POCKET SCALE**

(75) Inventor: **Alex Huang**, Nepean (CA)

(73) Assignee: **Gram Precision Scales Inc.**,
Mississauga (CA)

(**) Term: **14 Years**

(21) Appl. No.: **29/233,397**

(22) Filed: **Jul. 5, 2005**

(51) **LOC (8) Cl.** **10-04**

(52) **U.S. Cl.** **D10/91**

(58) **Field of Classification Search** D10/91-92;
33/512; 177/3-4, 25.11-25.19, 177, 180,
177/181, 199, 210 R, 238-245, 262, DIG. 3-4;
705/401-411

See application file for complete search history.

(56) **References Cited**

U.S. PATENT DOCUMENTS

D448,316 S	*	9/2001	Kesselman	D10/91
D455,092 S	*	4/2002	Kesselman	D10/91
D472,833 S	*	4/2003	Thadani	D10/91
6,600,110 B1		7/2003	Thadani et al.		
D489,635 S		5/2004	Thadani		
D502,883 S	*	3/2005	Barnes et al.	D10/91
D505,089 S		5/2005	Thadani		
D505,348 S	*	5/2005	Lee	D10/91

* cited by examiner

Primary Examiner—Antoine D. Davis

(74) *Attorney, Agent, or Firm*—Greenblum & Bernstein,
P.L.C.

(57) **CLAIM**

I claim the ornamental design for a pocket scale, as shown
and described.

DESCRIPTION

FIG. 1 is a perspective view of an upper side of a pocket
scale, showing my new design;

FIG. 2 is a perspective view of a lower side thereof;

FIG. 3 is a rear elevational view thereof;

FIG. 4 is a front elevational view thereof;

FIG. 5 is a top plan view thereof;

FIG. 6 is a bottom plan view thereof;

FIG. 7 is a left side elevational view thereof;

FIG. 8 is a right side elevation view thereof;

FIG. 9 is a plan view of the pocket scale of FIG. 1, shown
in an alternative position;

FIG. 10 is a top plan view of an upper portion of the view
shown in FIG. 9;

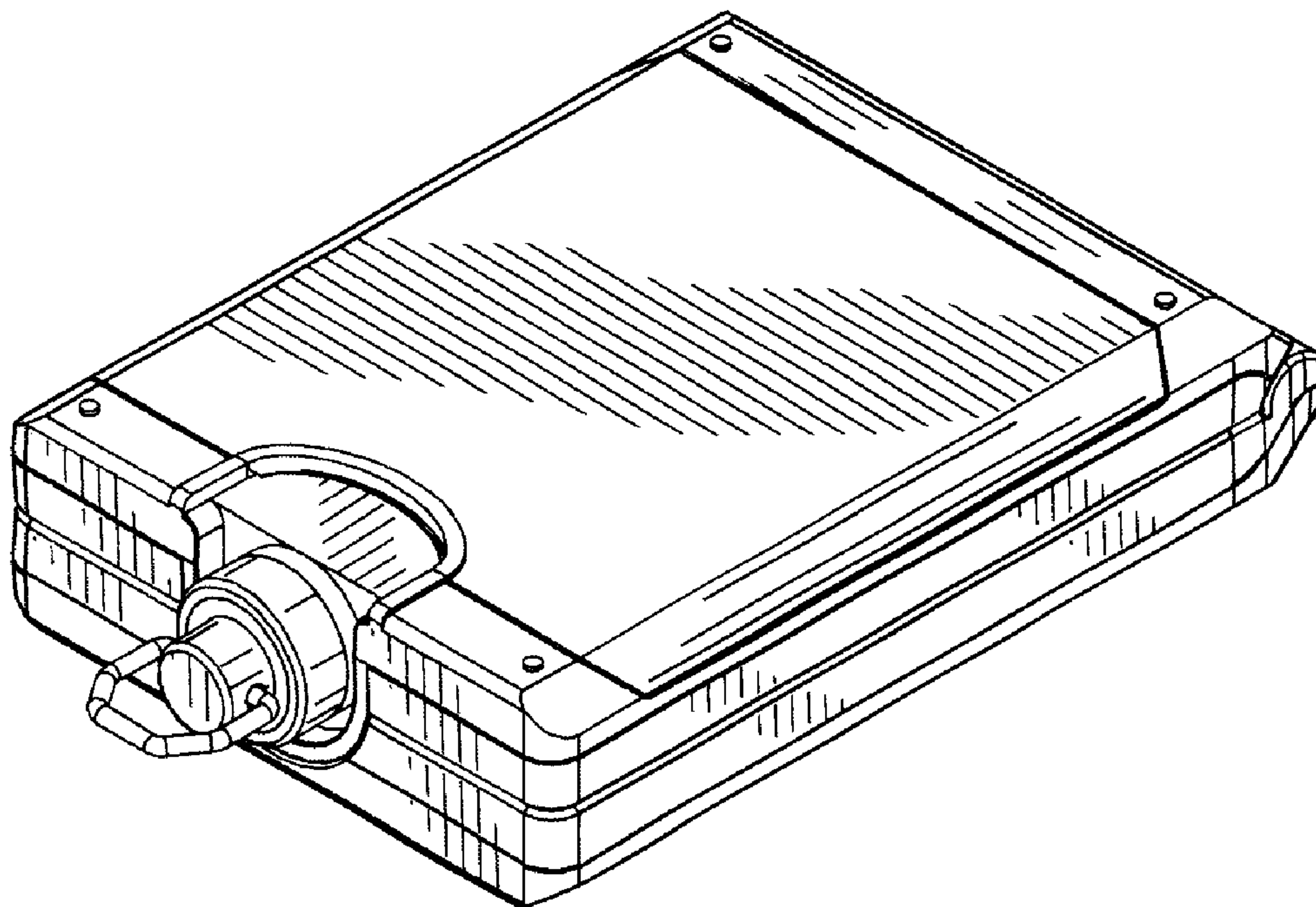
FIG. 11 is a bottom plan view of a lower portion of the view
shown in FIG. 9;

FIG. 12 is a right side elevational view of the view shown
in FIG. 9; and,

FIG. 13 is a perspective view of the alternative view shown
in FIG. 9.

The broken lines indicate structure that is for illustrative
purposes only and forms no part of the claimed design.

1 Claim, 5 Drawing Sheets



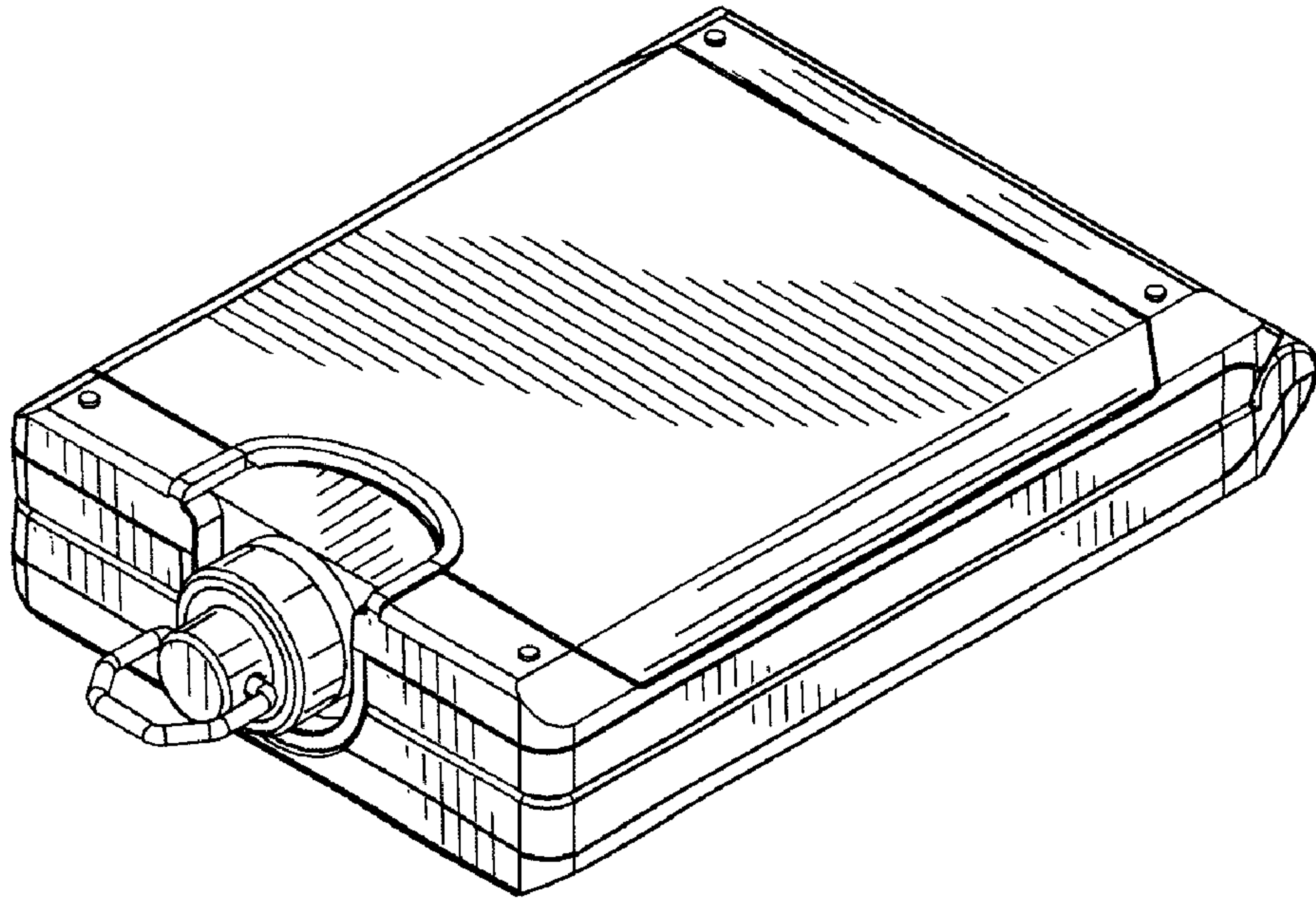


FIG. 1

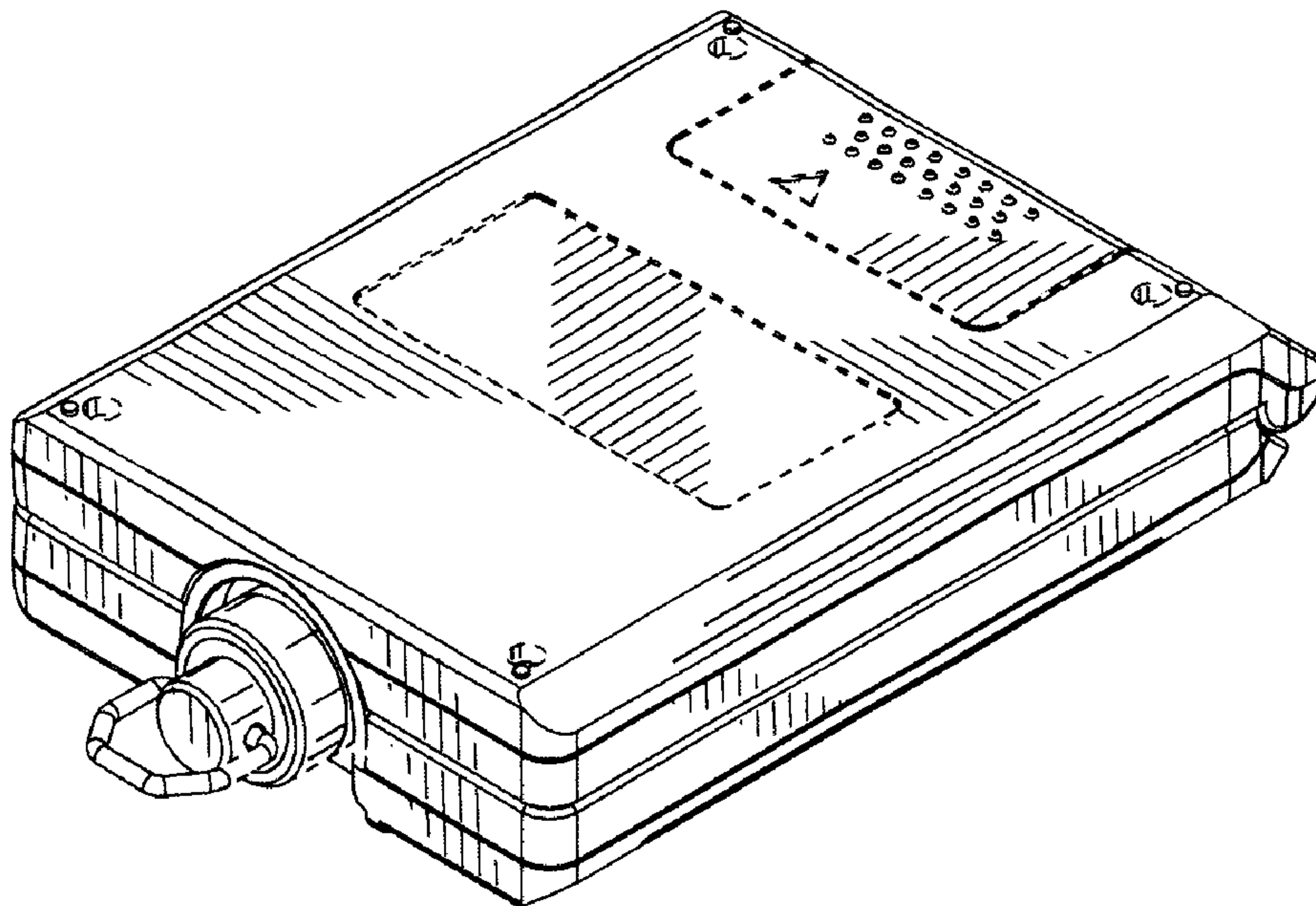


FIG. 2

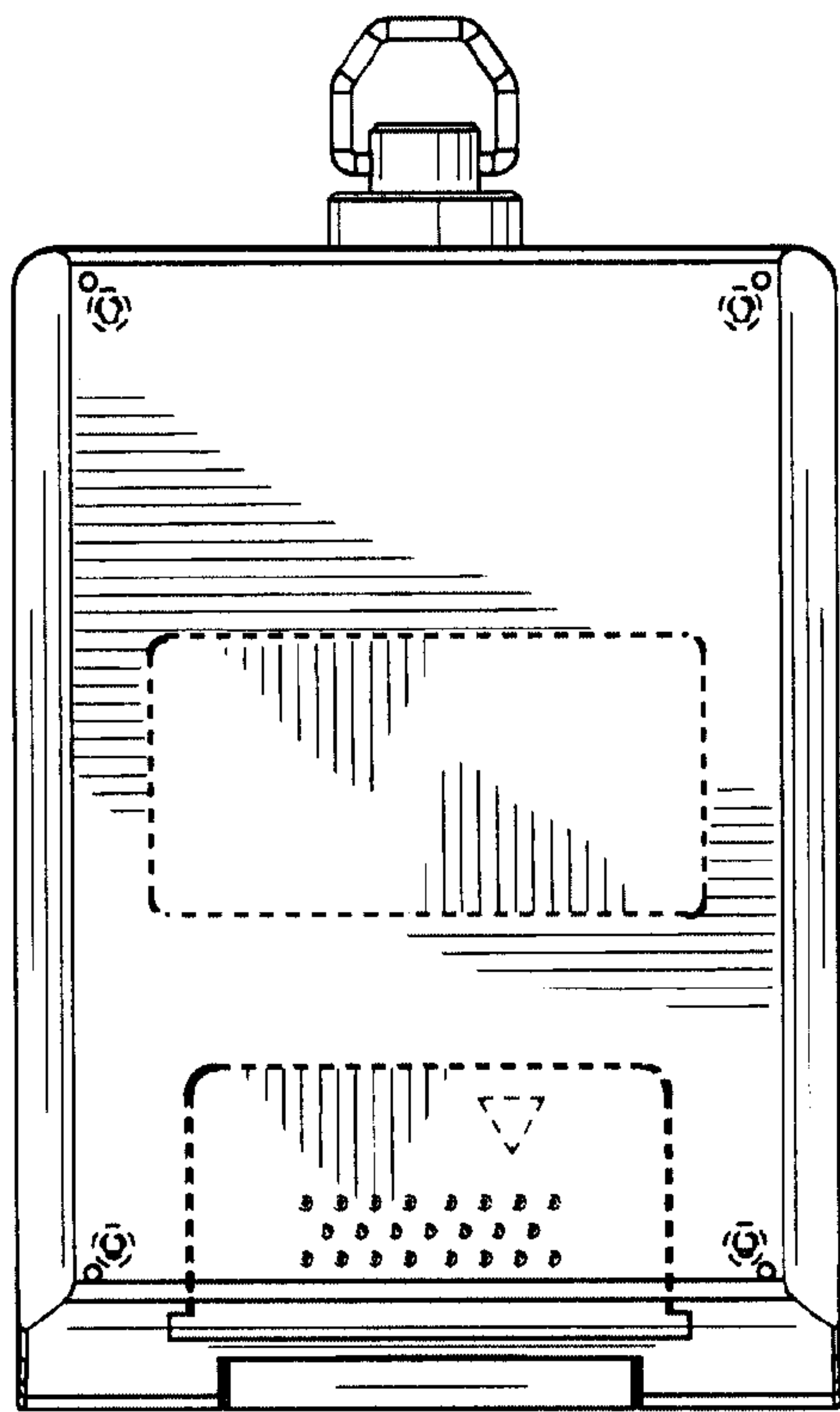


FIG. 3

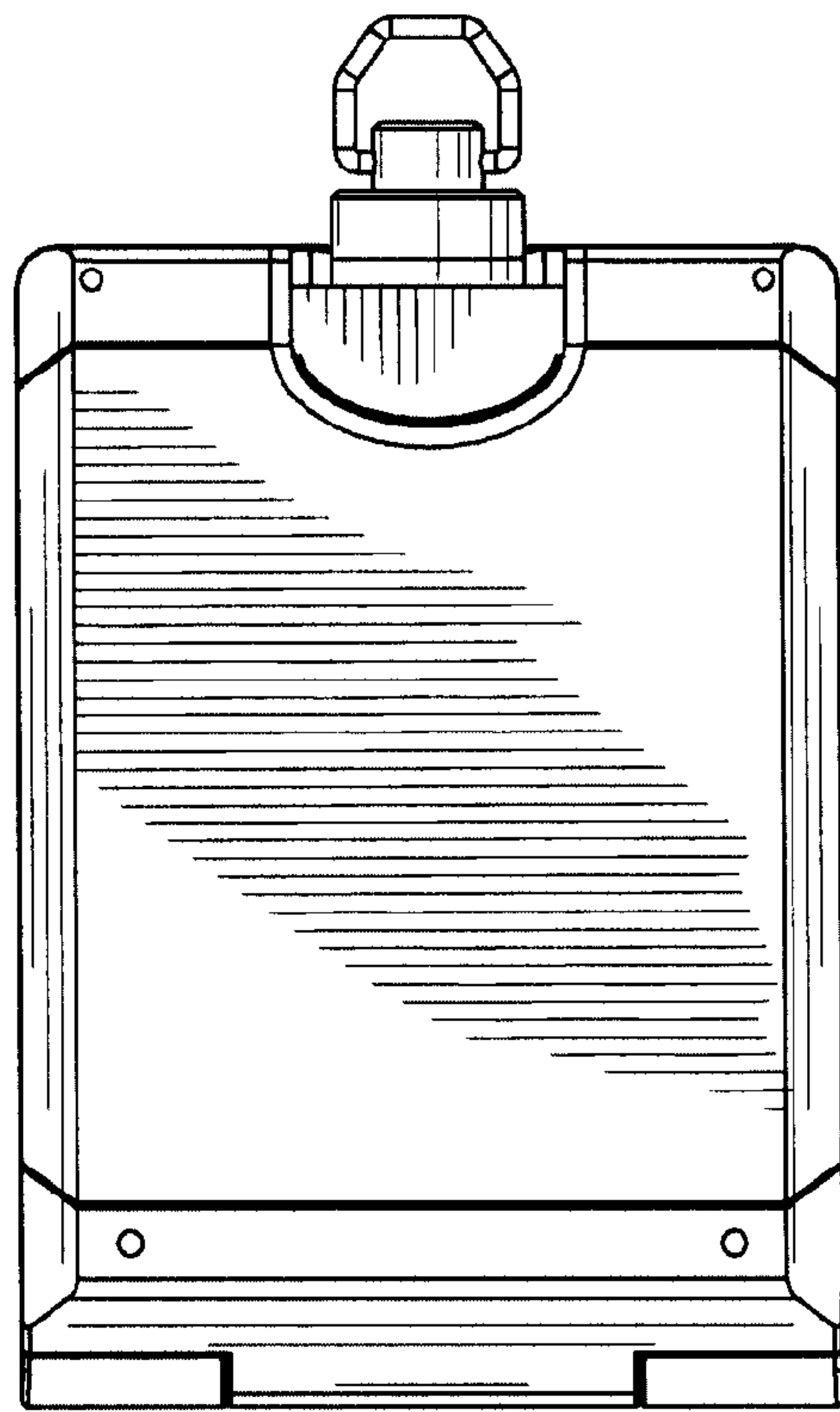


FIG. 4

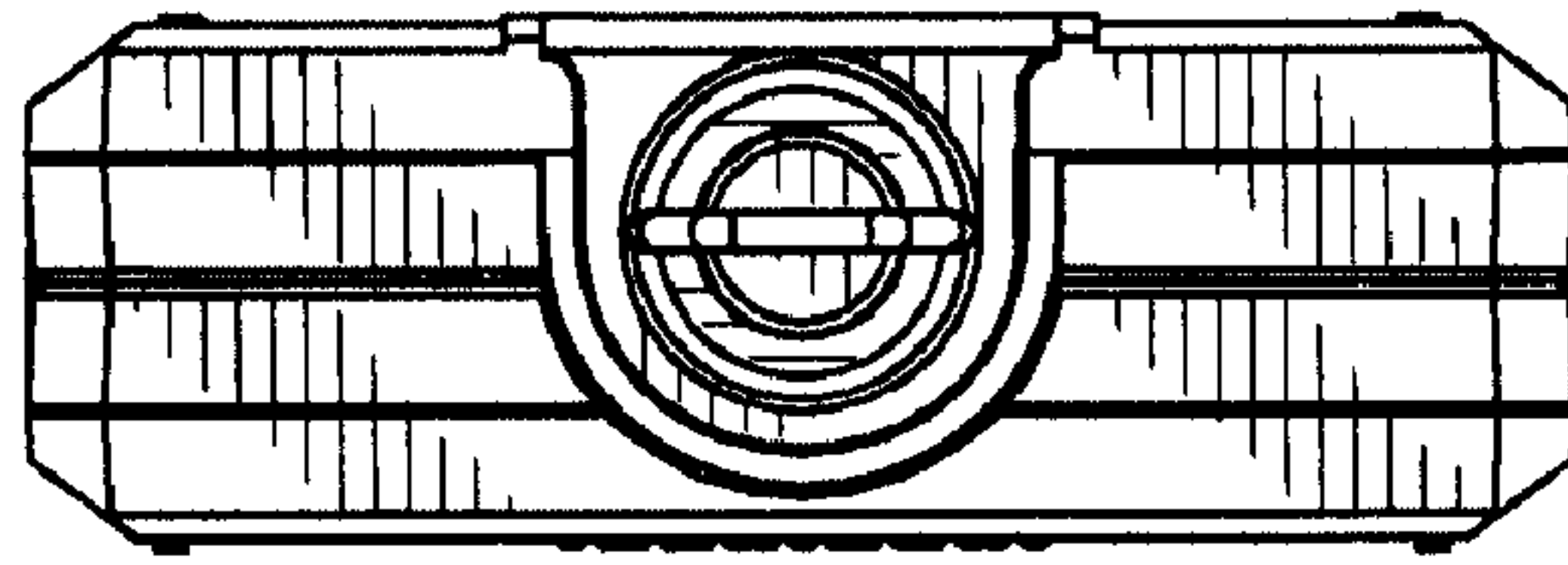


FIG. 5

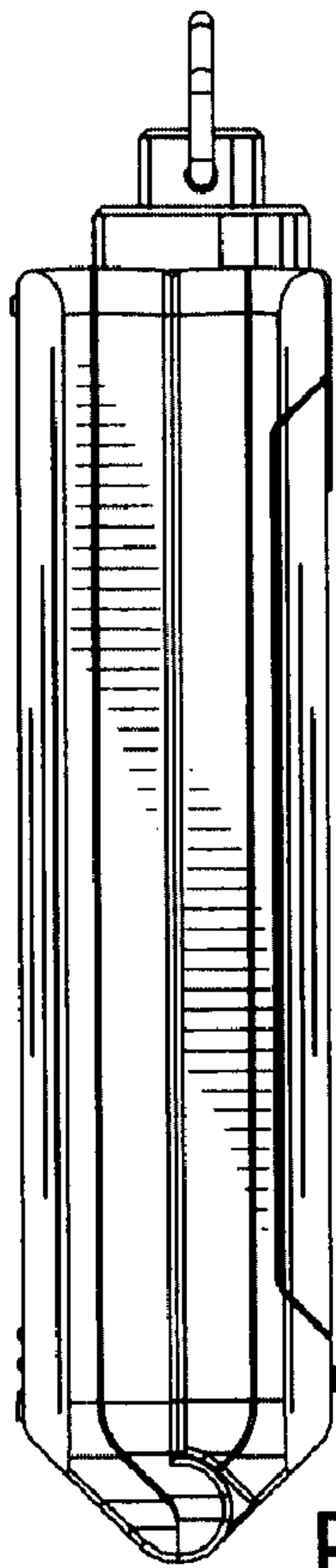


FIG. 7

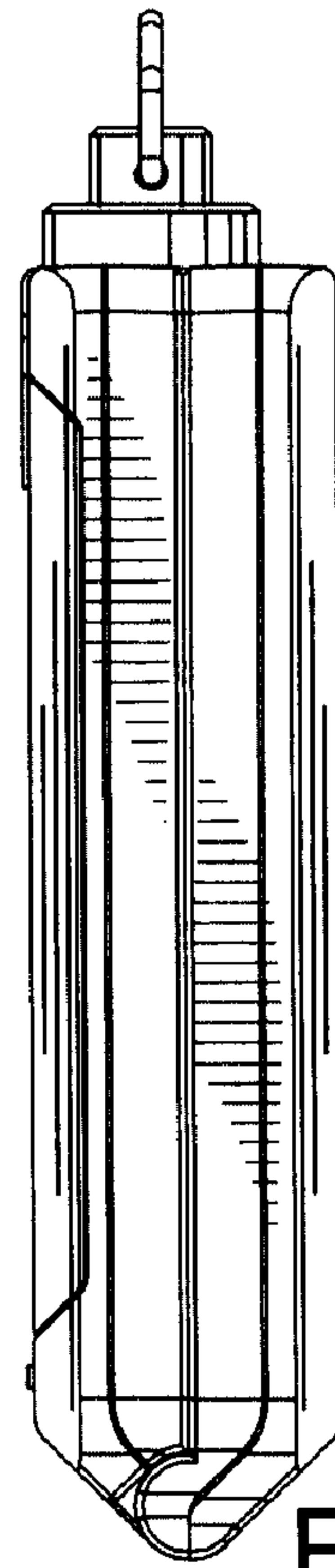


FIG. 8

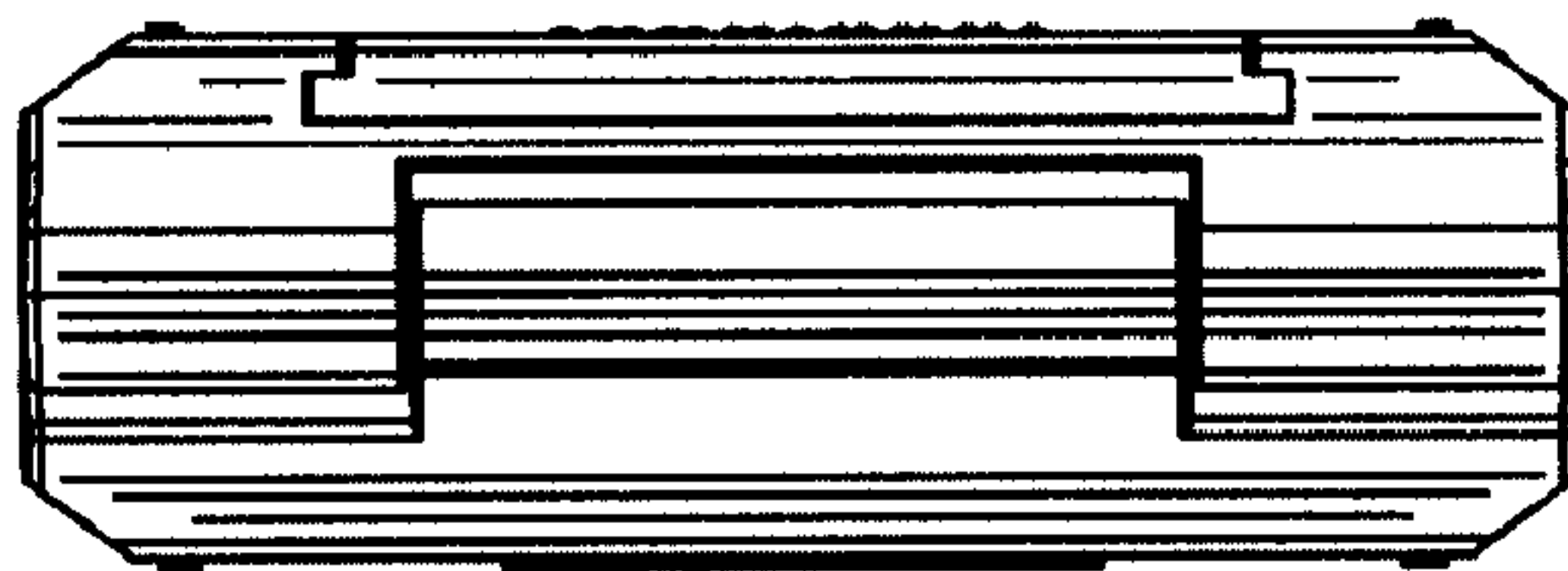


FIG. 6

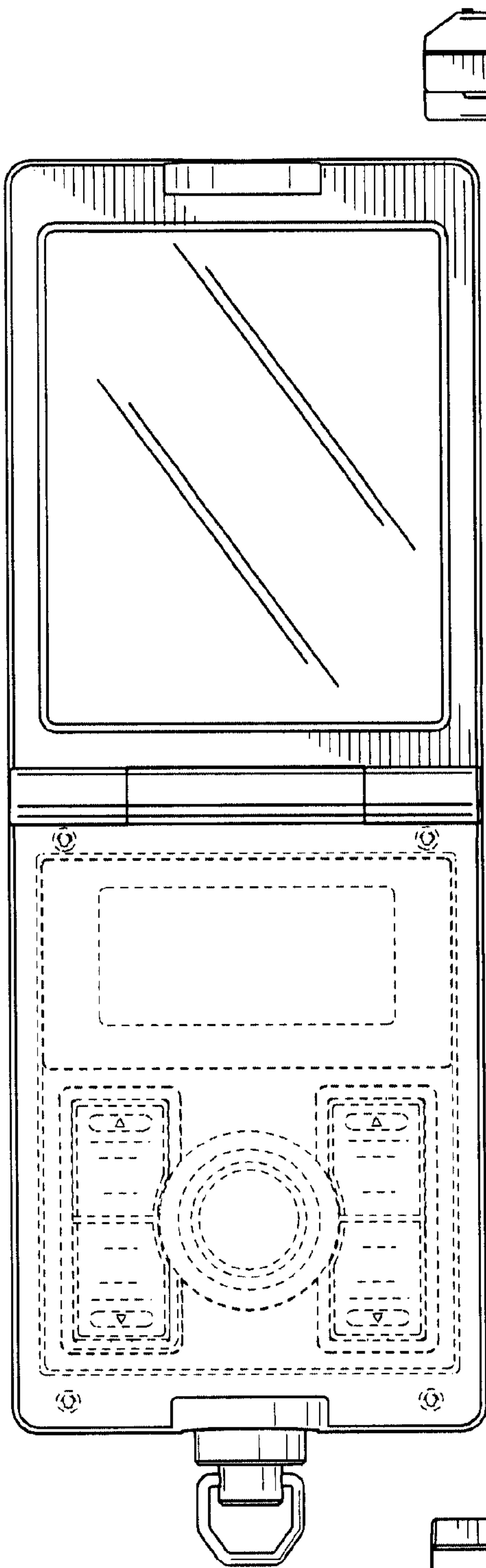


FIG. 9

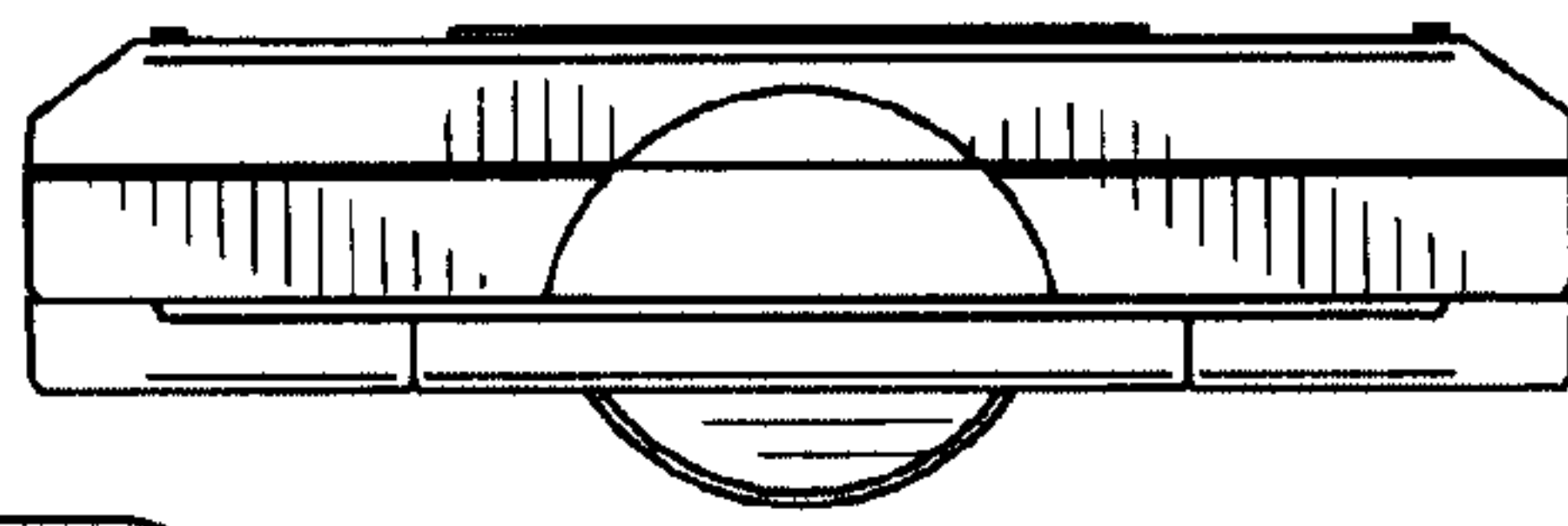


FIG. 10

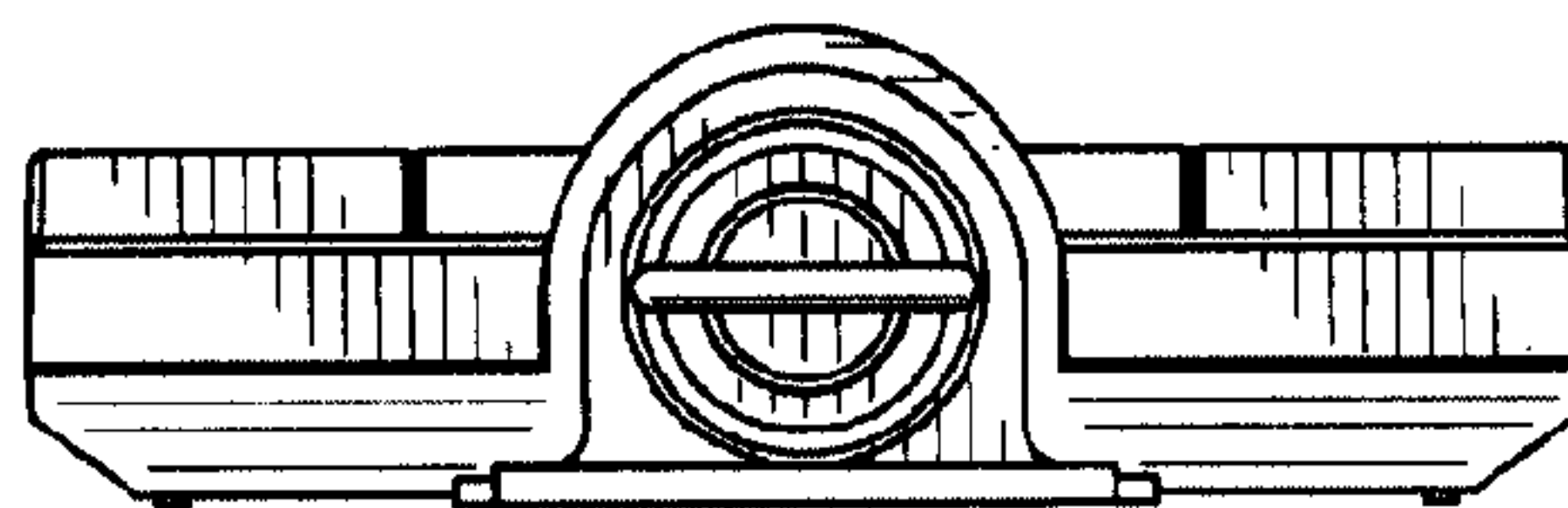


FIG. 11

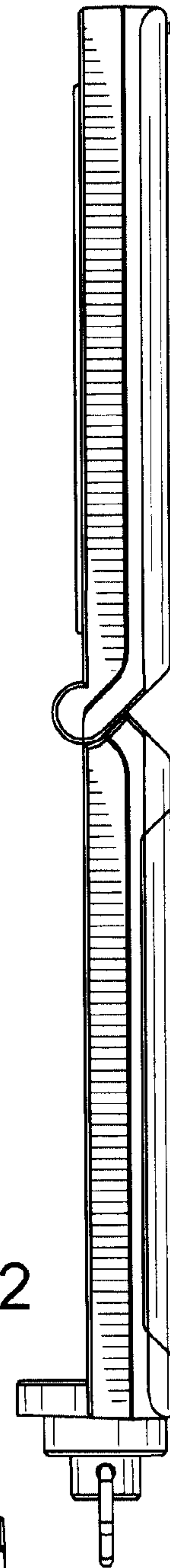


FIG. 12

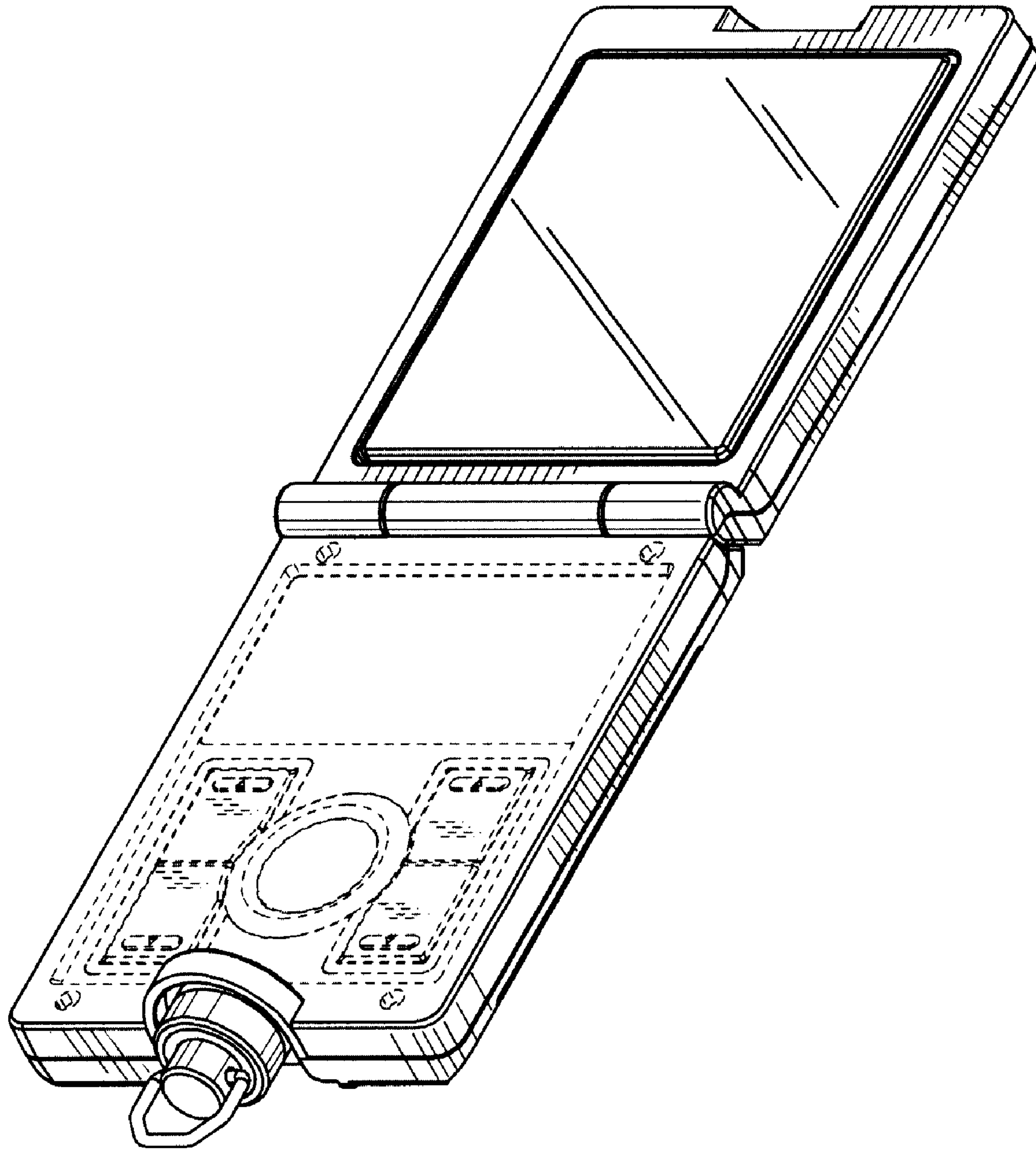


FIG. 13