



US00D524666S

(12) **United States Design Patent**
Huang

(10) **Patent No.:** **US D524,666 S**

(45) **Date of Patent:** **** Jul. 11, 2006**

(54) **TAPE RULE**

6,622,396 B1 * 9/2003 Salazar 33/758

(75) Inventor: **Jason Huang**, Taipei (TW)

* cited by examiner

(73) Assignee: **Index Measuring Tape Co., LTD**,
Taipei (TW)

Primary Examiner—Antoine D. Davis

Assistant Examiner—Patricia Palasik

(**) Term: **14 Years**

(74) *Attorney, Agent, or Firm*—Dennison, Schultz,
Dougherty & MacDonald

(21) Appl. No.: **29/221,526**

(57) **CLAIM**

(22) Filed: **Jan. 19, 2005**

The ornamental design for a tape rule, as shown and described.

(51) **LOC (8) Cl.** **10-04**

DESCRIPTION

(52) **U.S. Cl.** **D10/72**

(58) **Field of Classification Search** D10/72;
33/775-771; 242/292, 381.1, 381.2, 381.3,
242/381.4, 381.5, 381.6
See application file for complete search history.

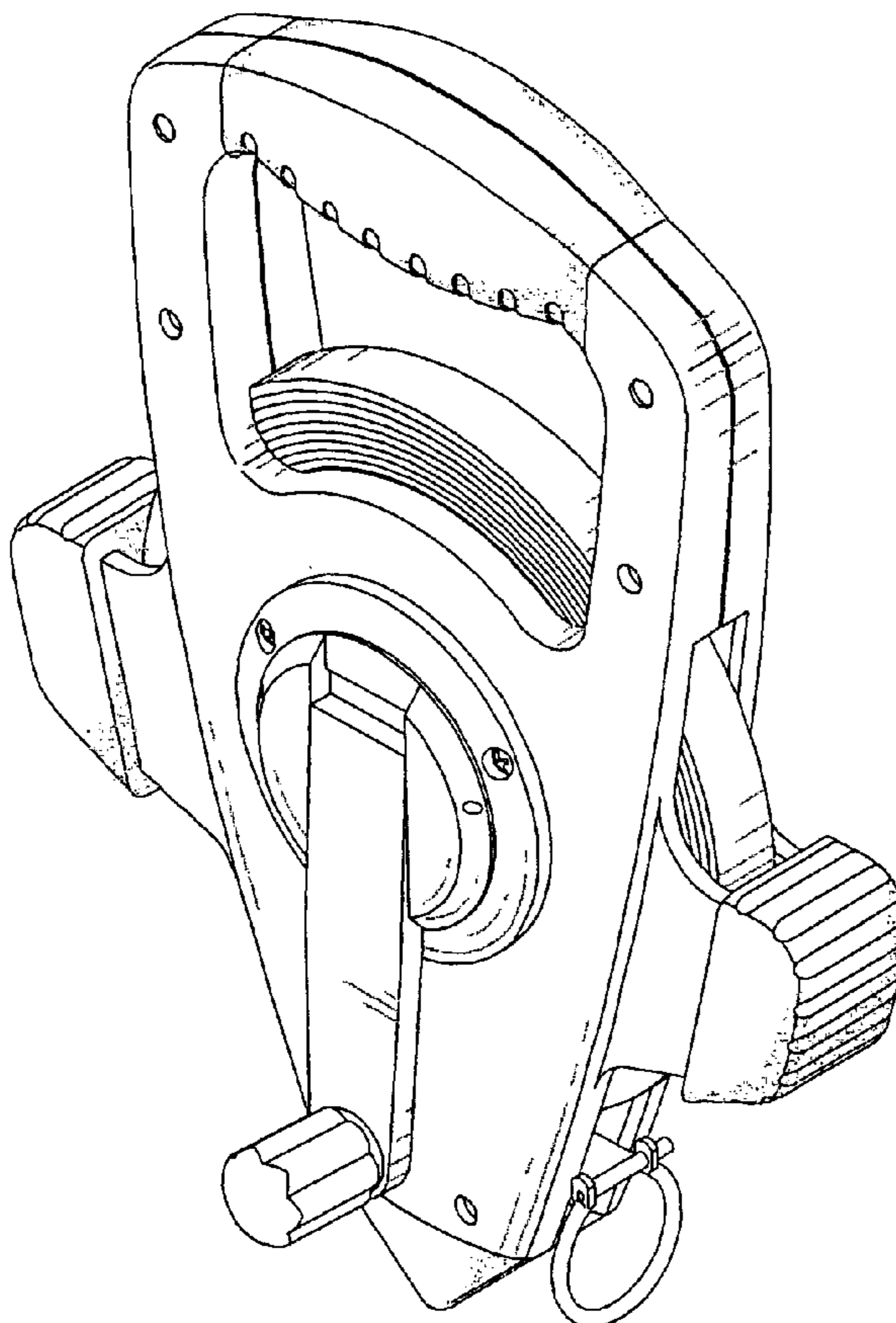
FIG. 1 is an elevational view of a tape rule showing my new design;
FIG. 2 is a front elevational view thereof;
FIG. 3 is a rear elevational view thereof;
FIG. 4 is a left side elevational view thereof;
FIG. 5 is a right side elevational view thereof;
FIG. 6 is a top plan elevational view thereof;
FIG. 7 is a bottom plan elevational view thereof;
FIG. 8 is a perspective view showing the status of use of my new design; and,
FIG. 9 is another perspective view showing the status of use of my new design.

(56) **References Cited**

U.S. PATENT DOCUMENTS

- D441,671 S * 5/2001 Hsu D10/72
- D457,448 S * 5/2002 Olson D10/72
- D478,292 S * 8/2003 Hsu D10/72

1 Claim, 7 Drawing Sheets



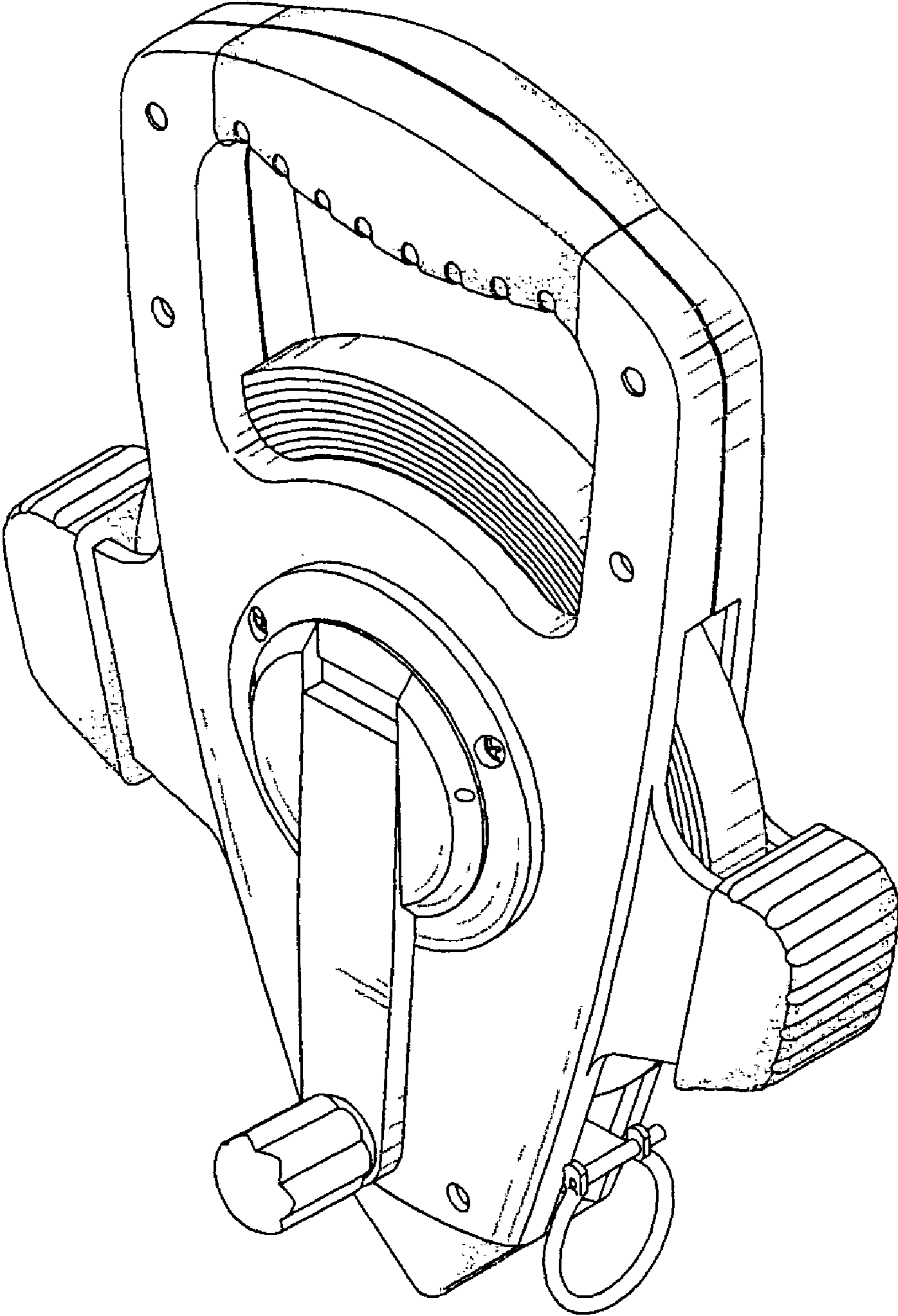


FIG. 1

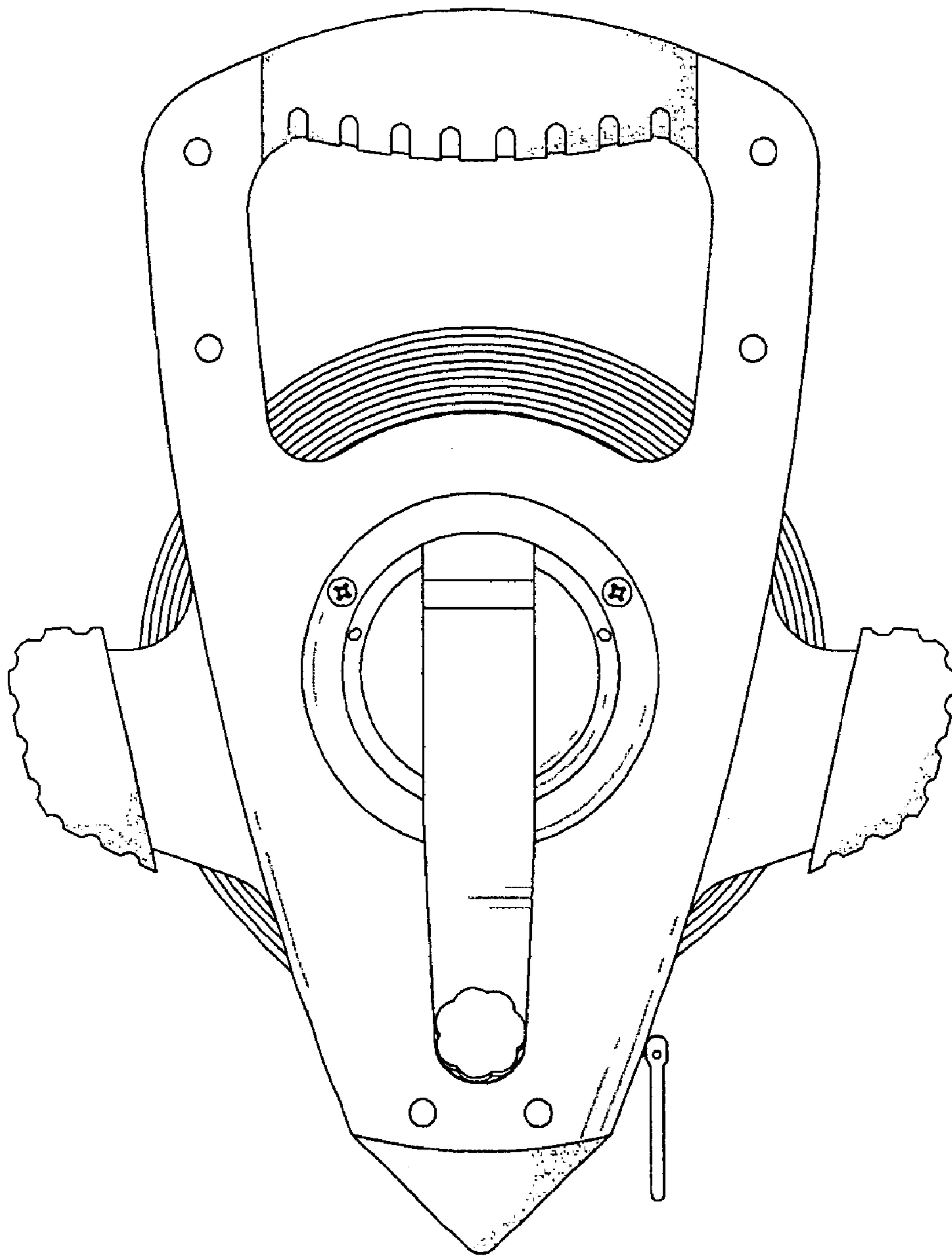


FIG. 2

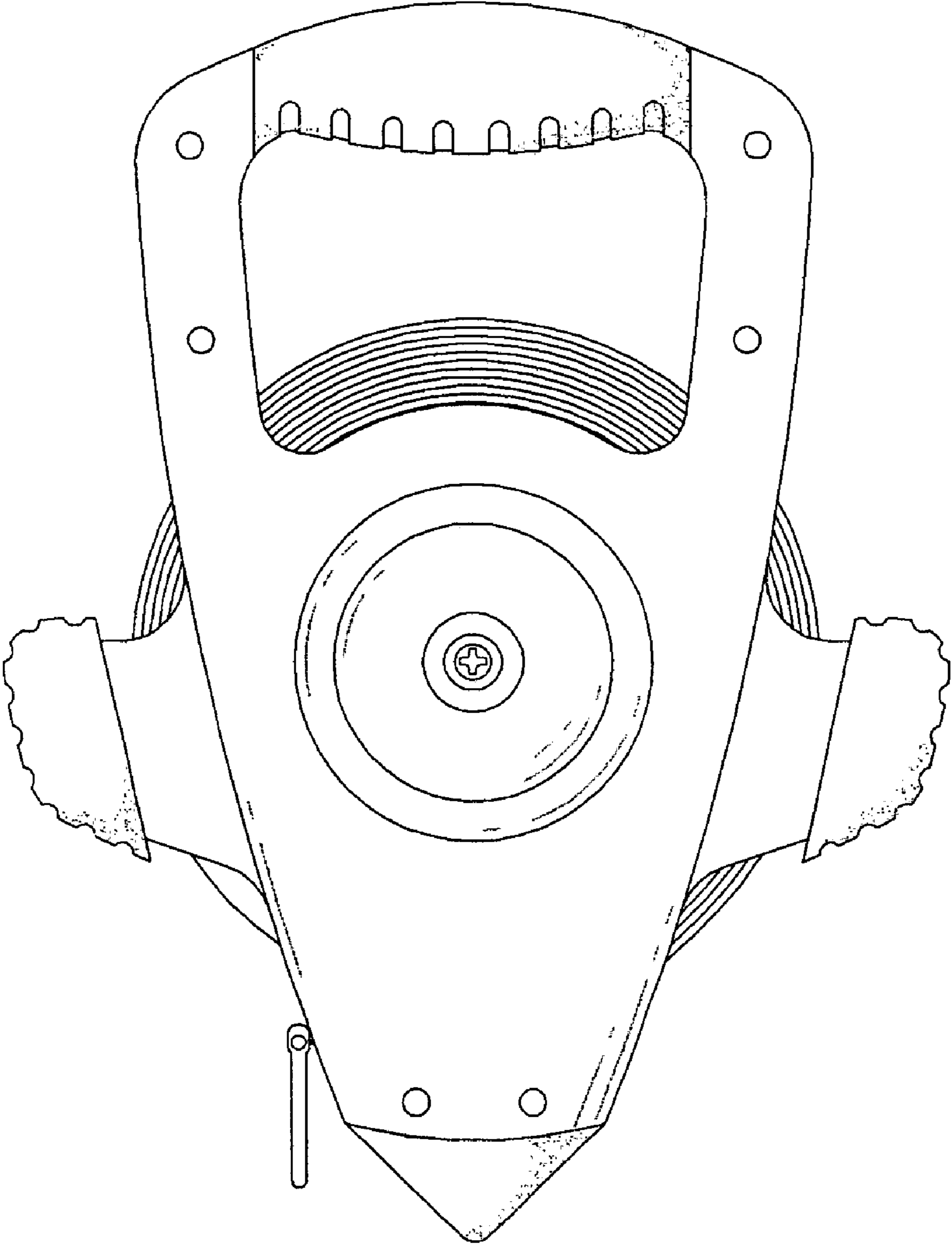


FIG. 3

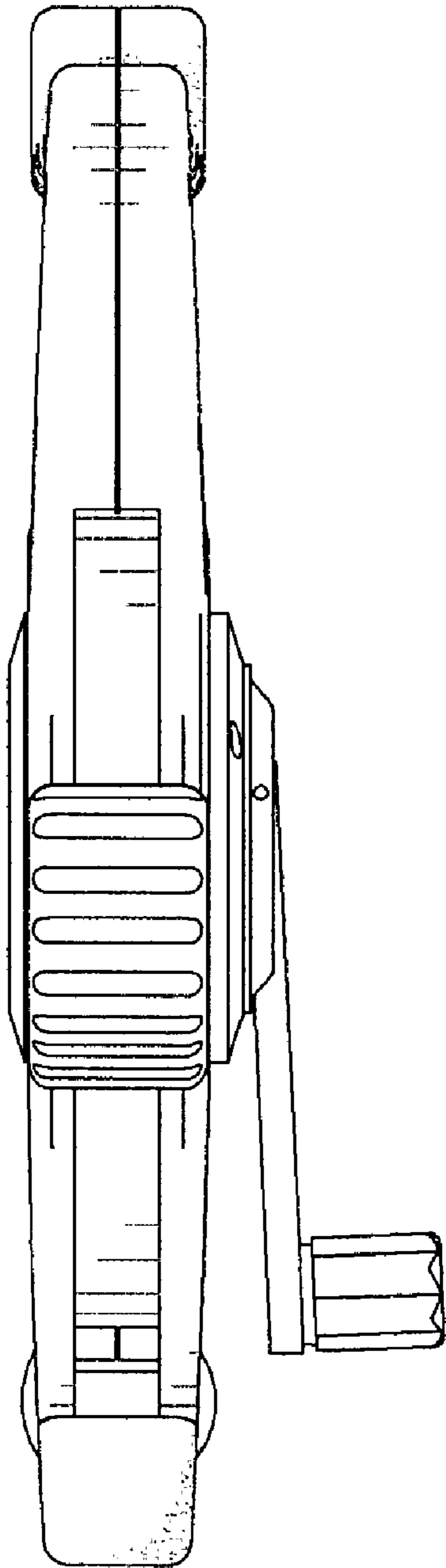


FIG. 4

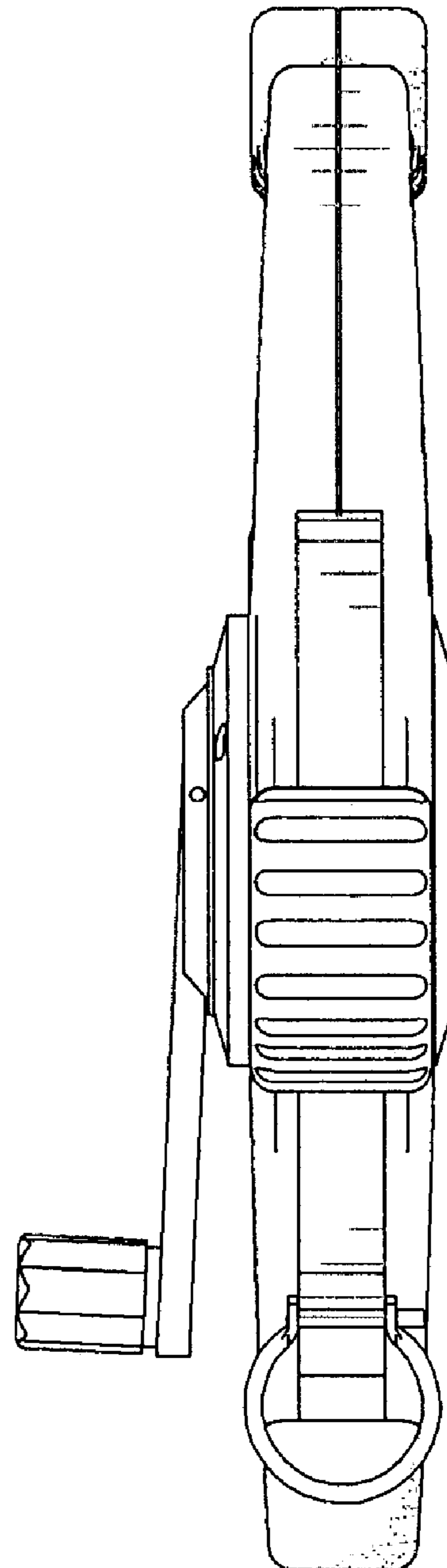


FIG. 5

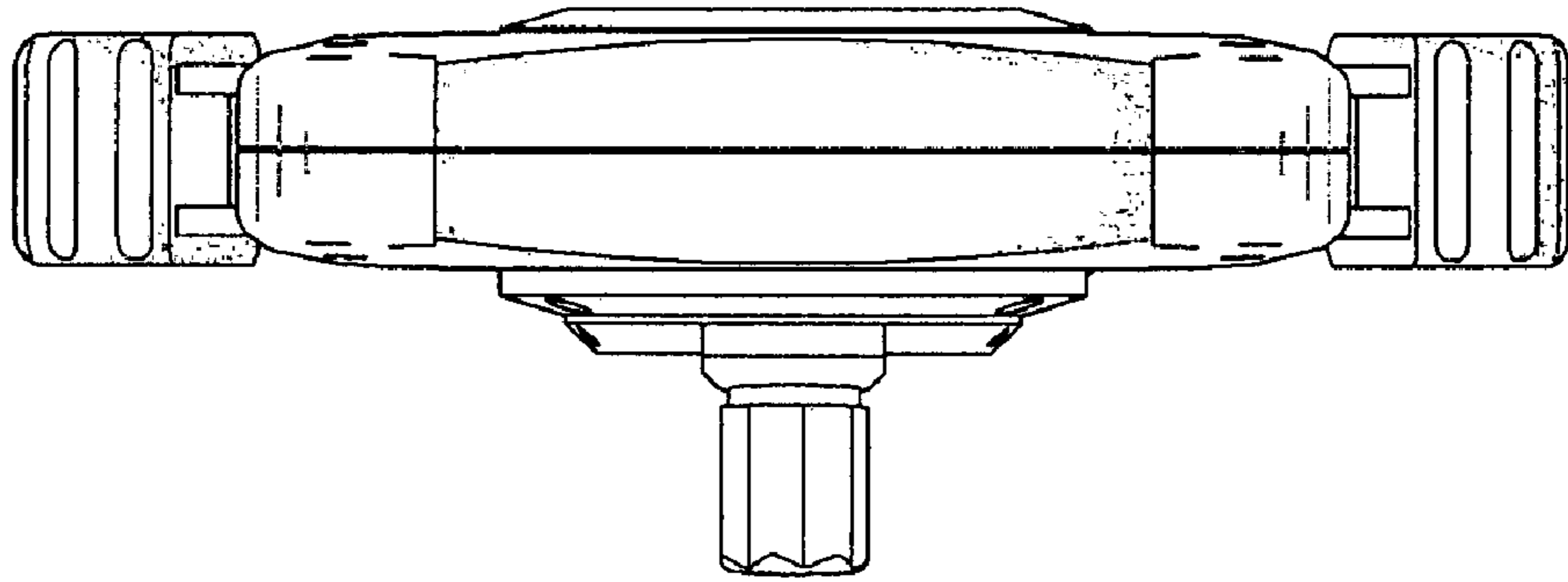


FIG. 6

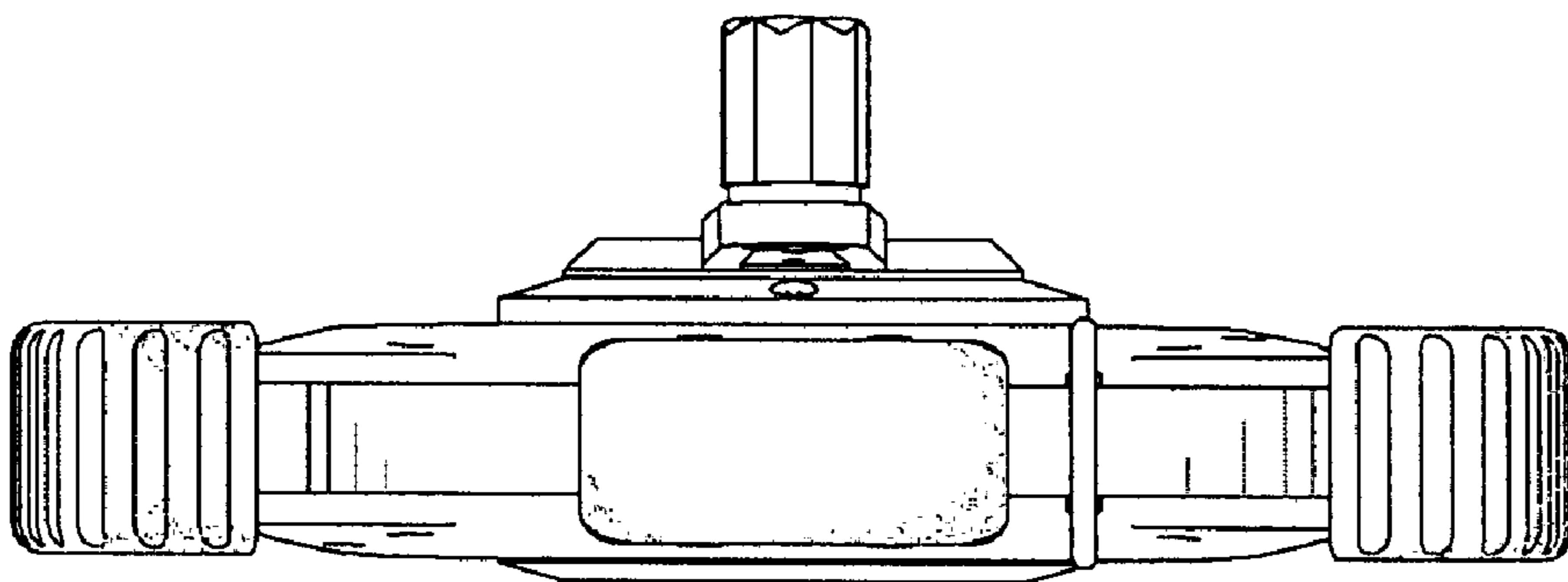


FIG. 7

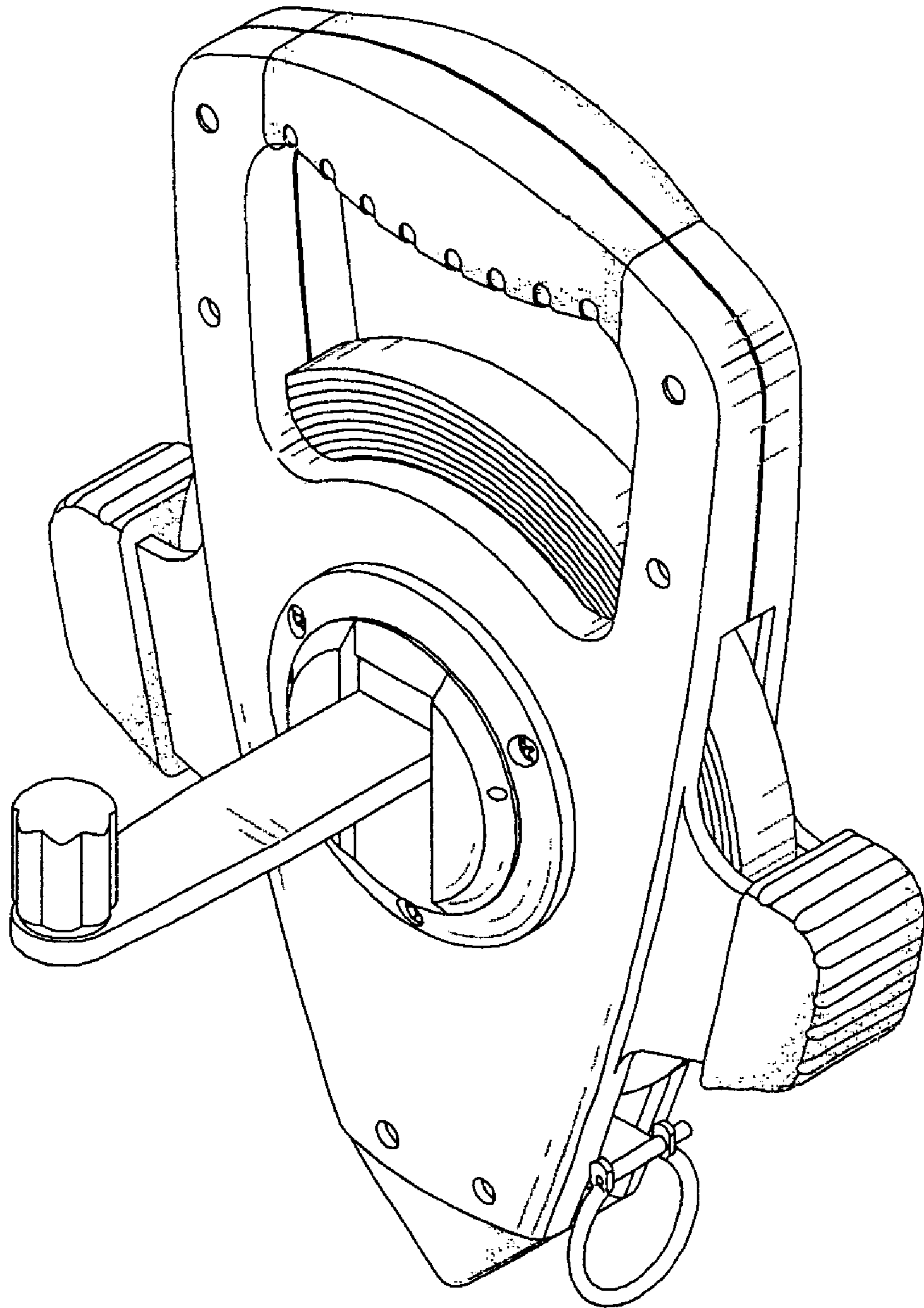


FIG. 8

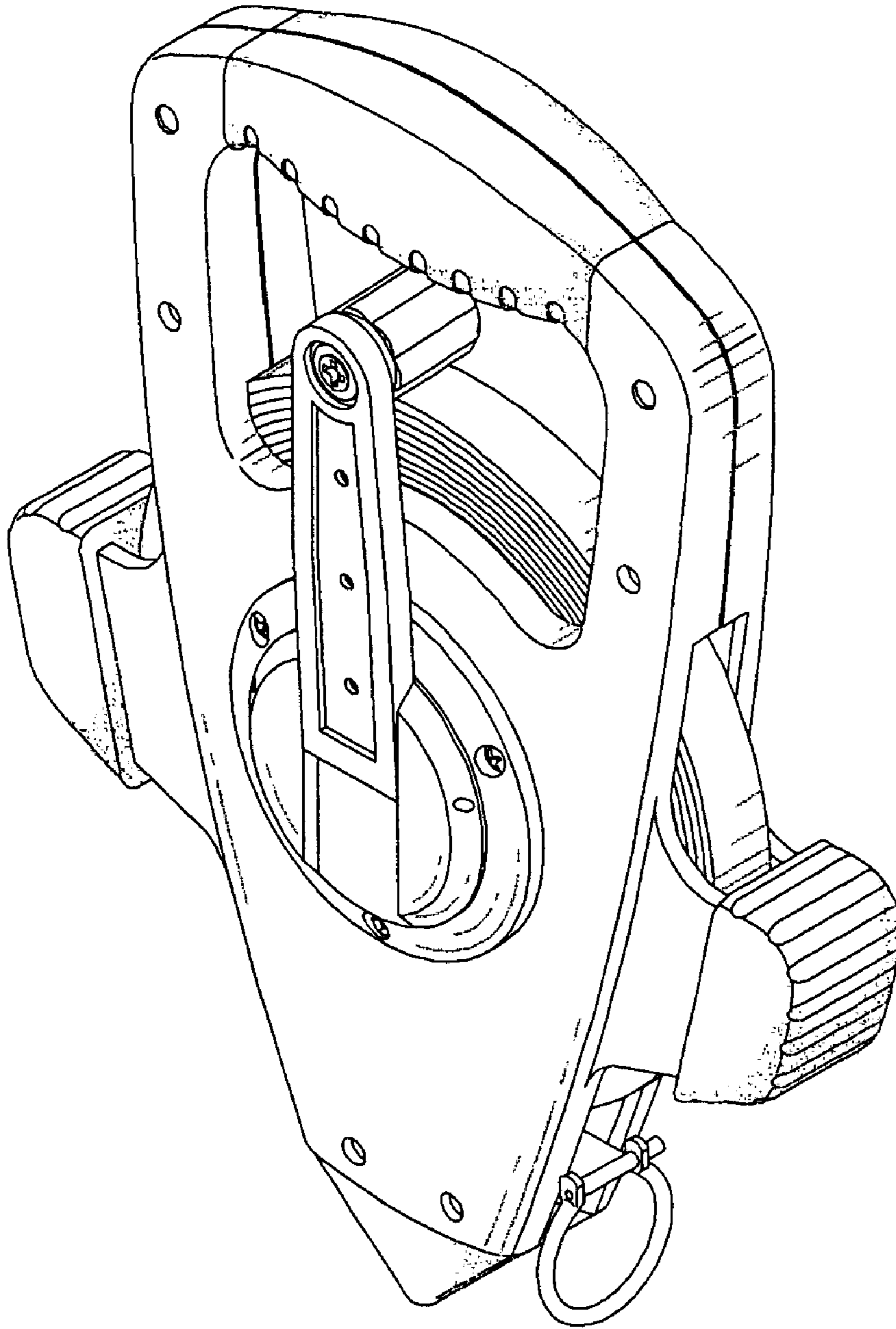


FIG. 9