



US00D524651S

(12) **United States Design Patent**
Perret

(10) **Patent No.:** **US D524,651 S**

(45) **Date of Patent:** **** Jul. 11, 2006**

(54) **TRAY FOR BOTTLES**

(75) **Inventor:** **Markus Perret, Esbo (FI)**

(73) **Assignee:** **K. Hartwell Oy AB, Soderkulla (FI)**

(**) **Term:** **14 Years**

(21) **Appl. No.:** **29/221,402**

(22) **Filed:** **Jan. 18, 2005**

(30) **Foreign Application Priority Data**

Aug. 30, 2004 (EM) 000224670-0001

(51) **LOC (8) Cl.** **09-07**

(52) **U.S. Cl.** **D9/456; D9/756; D3/304**

(58) **Field of Classification Search** D9/457,
D9/456, 432, 425, 424, 756; D7/357; D3/319,
D3/311-314, 304; 220/500; 211/73, 59.4;
206/564, 519, 518, 504, 499, 496, 427, 391,
206/356, 354, 265, 203

See application file for complete search history.

(56) **References Cited**

U.S. PATENT DOCUMENTS

D305,738 S * 1/1990 Day D9/456
4,978,002 A * 12/1990 Apps et al. 206/203
D356,211 S * 3/1995 Apps et al. D3/304
D356,679 S * 3/1995 Apps et al. D3/304
D361,431 S * 8/1995 Koefeld D3/304

D379,121 S * 5/1997 Apps et al. D3/312
D398,152 S * 9/1998 Kelly D3/304
6,131,730 A * 10/2000 Hsu 206/427
D446,015 S * 8/2001 Apps D3/304
D452,613 S * 1/2002 Hammett D3/304
D461,054 S * 8/2002 Hammett D3/314
D483,946 S * 12/2003 Koefeld D3/304
D505,014 S * 5/2005 Apps et al. D3/311

* cited by examiner

Primary Examiner—Robert M. Spear

Assistant Examiner—Susan Bennett Hattan

(74) *Attorney, Agent, or Firm*—Birch, Stewart, Kolasch & Birch, LLP

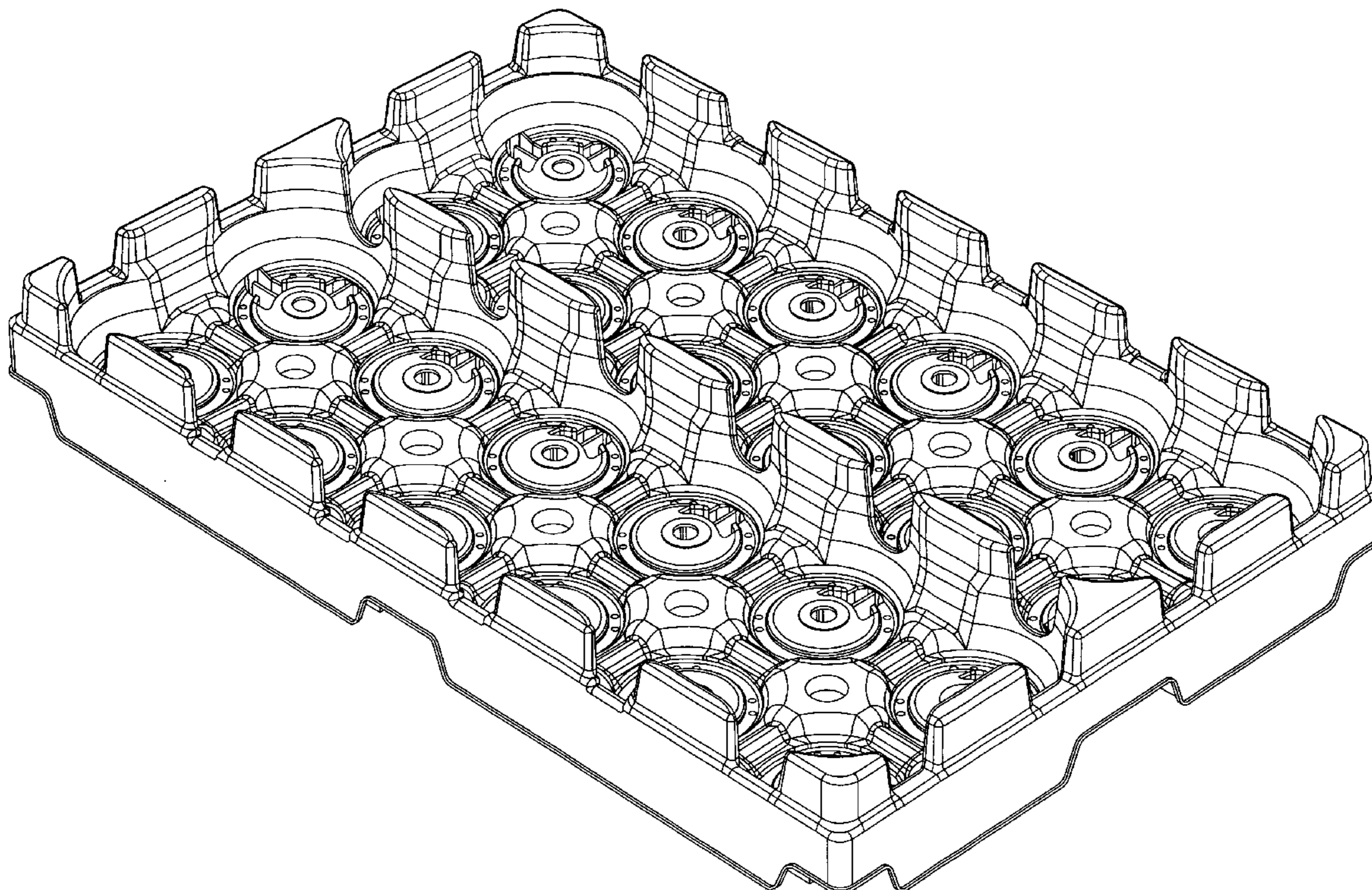
(57) **CLAIM**

The ornamental design for a tray for bottles, as shown and described.

DESCRIPTION

FIG. 1 is a front, right, top perspective view of a tray for bottles showing my new design;
FIG. 2 is a back, right, bottom perspective view thereof;
FIG. 3 is a top plan view thereof;
FIG. 4 is a bottom plan view thereof;
FIG. 5 is a left side view thereof;
FIG. 6 is a right side view thereof;
FIG. 7 is a front elevational view thereof; and,
FIG. 8 is a rear elevational view thereof.

1 Claim, 8 Drawing Sheets



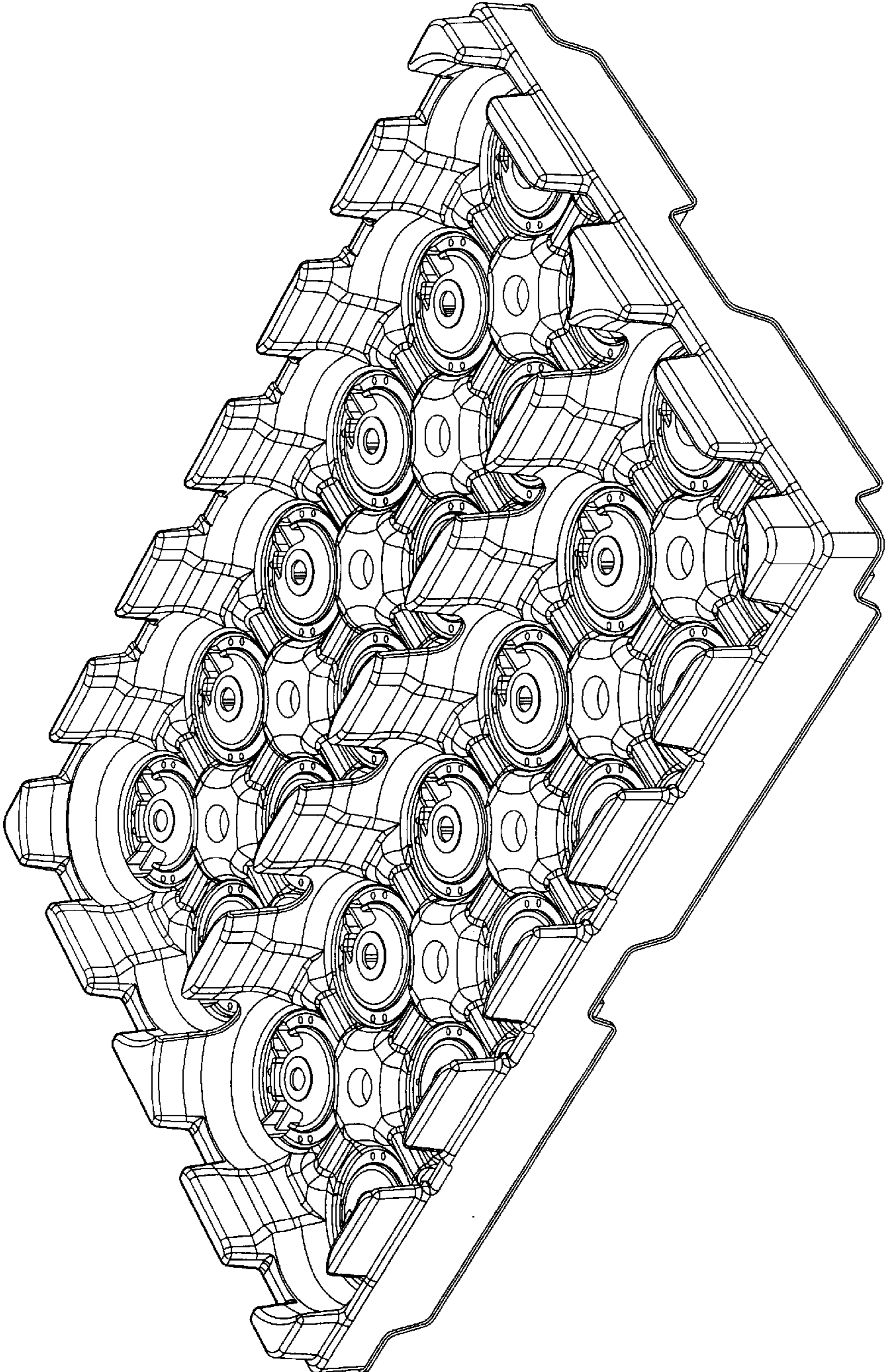


FIG.1

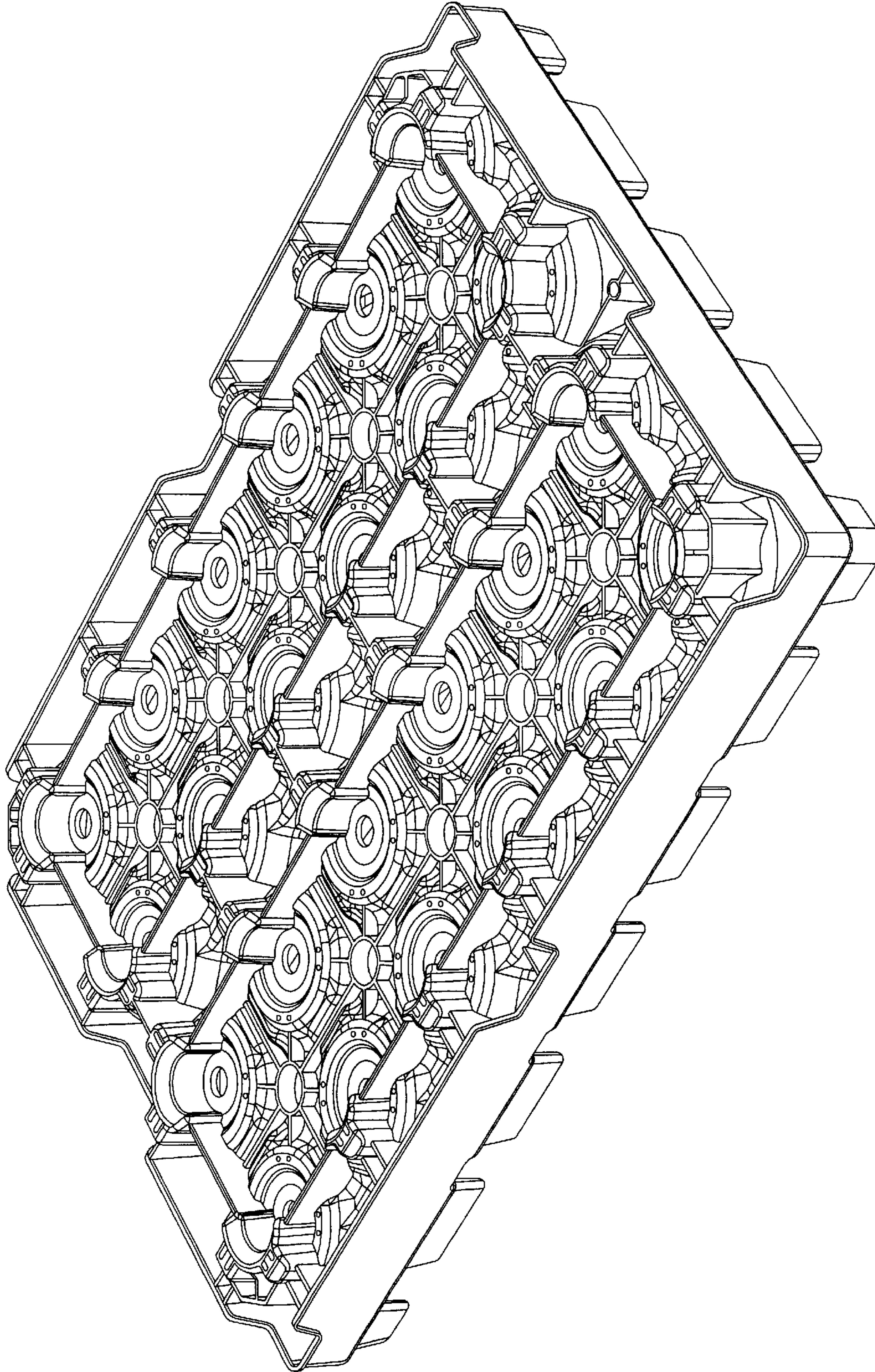


FIG.2

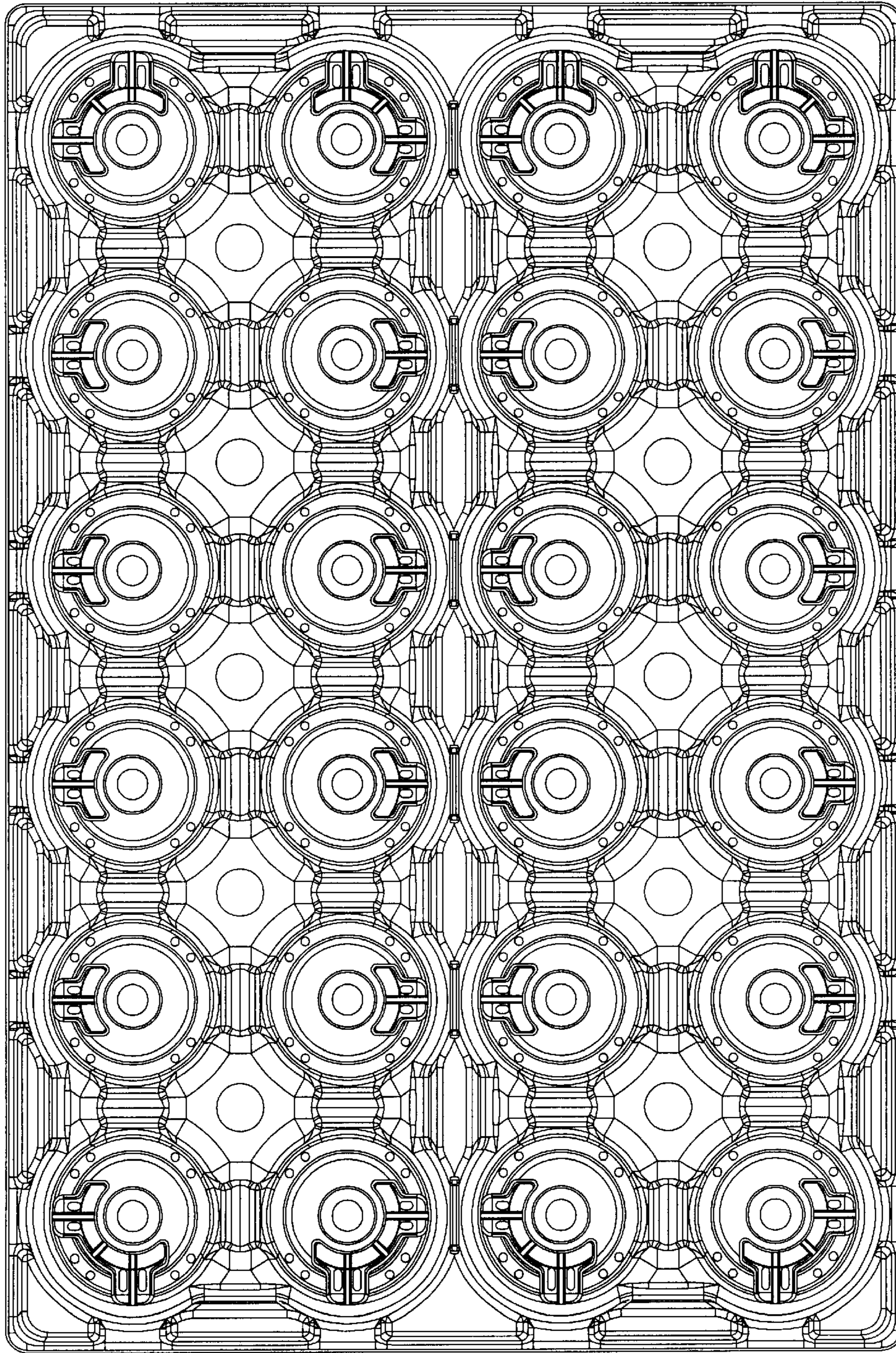


FIG.3

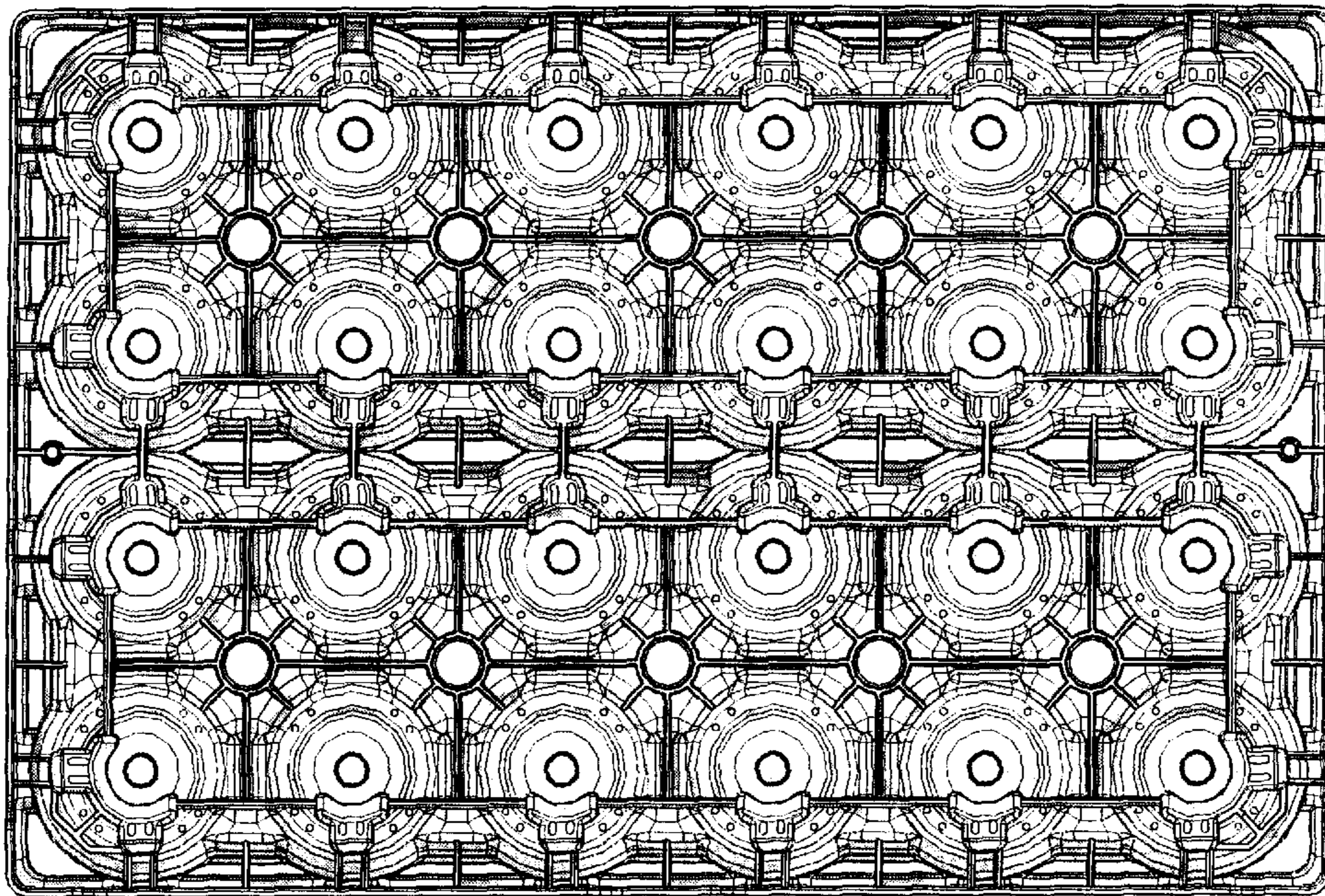


FIG. 4

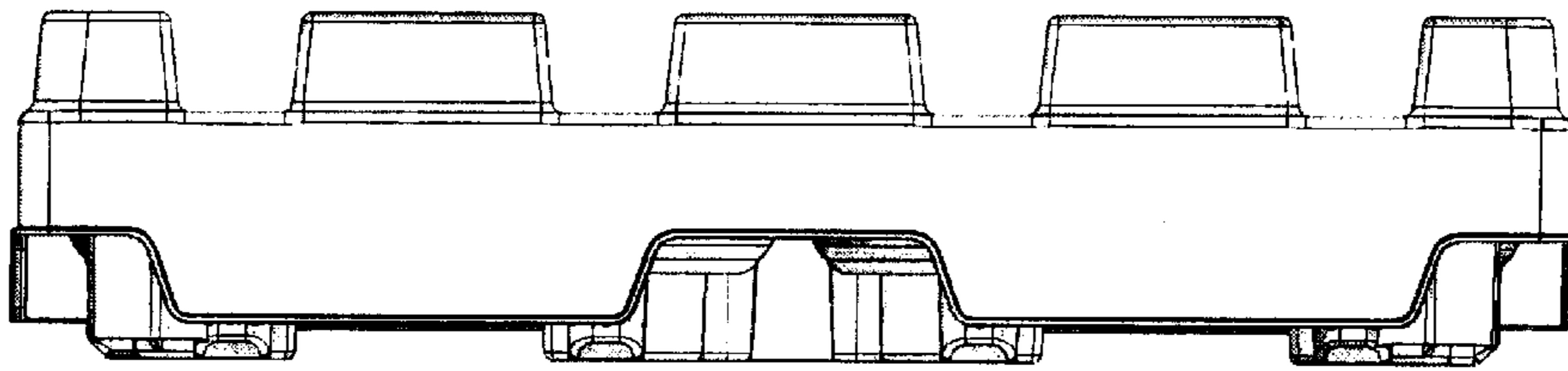


FIG. 5

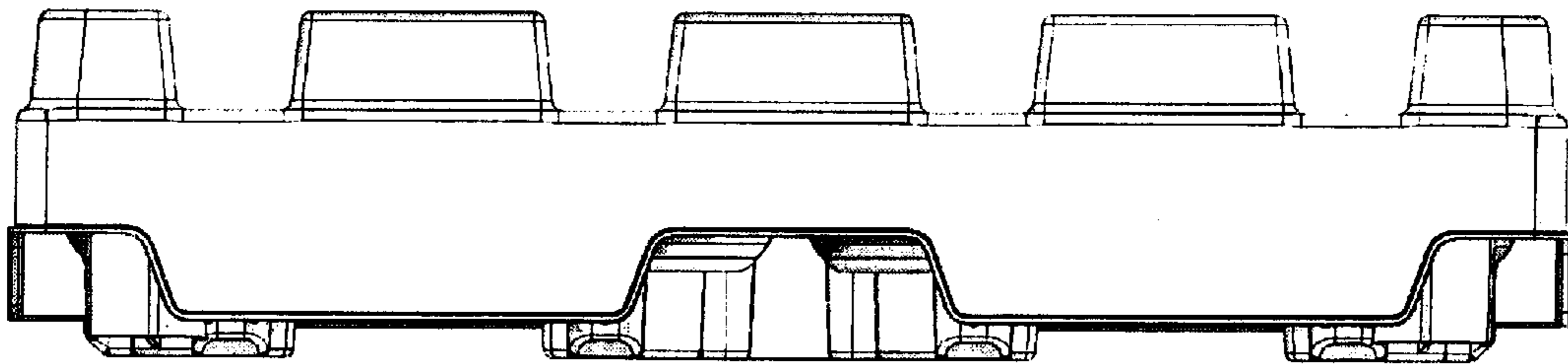


FIG. 6

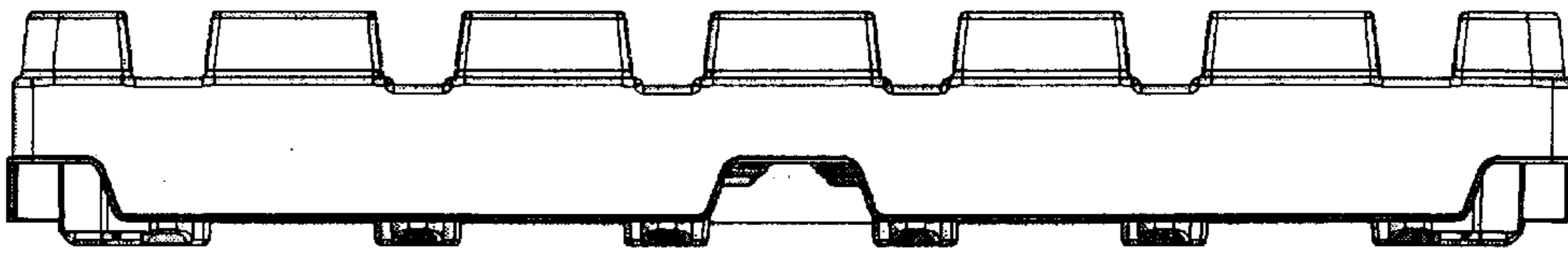


FIG. 7

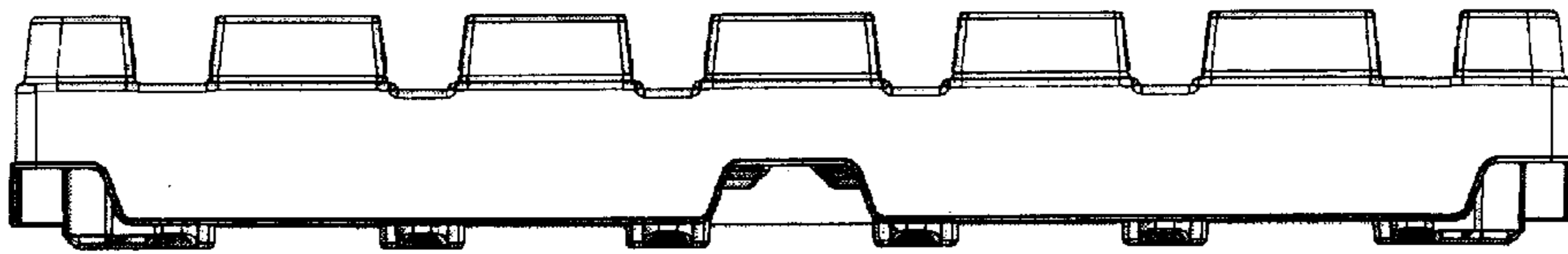


FIG. 8

UNITED STATES PATENT AND TRADEMARK OFFICE
CERTIFICATE OF CORRECTION

PATENT NO. : Des. 524,651 S
APPLICATION NO. : 29/221402
DATED : July 11, 2006
INVENTOR(S) : Markus Perret

Page 1 of 1

It is certified that error appears in the above-identified patent and that said Letters Patent is hereby corrected as shown below:

Assignee Name:

Item (73) Assignee "K. Hartwell Oy AB, Soderkulla (FI)" has been changed to --**K. Hartwall Oy AB, Soderkulla (FI)**--

Signed and Sealed this

Ninth Day of January, 2007

A handwritten signature in black ink on a dotted background. The signature reads "Jon W. Dudas" in a cursive style.

JON W. DUDAS

Director of the United States Patent and Trademark Office