

US00D524648S

(12) **United States Design Patent**
Feist et al.

(10) **Patent No.:** **US D524,648 S**
(45) **Date of Patent:** **** Jul. 11, 2006**

- (54) **GELLED COMPOSITION APPLICATOR TIP**
- (75) Inventors: **Mark W. Feist**, Colchester, CT (US);
Hans E. Haas, Stow, OH (US); **Frank Marino**, Berlin, CT (US); **Thomas M. Polatas**, Munroe Falls, OH (US)
- (73) Assignee: **Illinois Tool Works, Inc.**, Glenview, IL (US)
- (**) Term: **14 Years**
- (21) Appl. No.: **29/201,520**
- (22) Filed: **Mar. 17, 2004**
- (51) **LOC (8) Cl.** **09-07**
- (52) **U.S. Cl.** **D9/447; D28/7**
- (58) **Field of Classification Search** D6/542;
D8/14.1; D9/434-435, 723-724, 440, 447;
D23/259, 262; D28/7; 222/180-181.3, 320-321.1,
222/394, 448, 401.1, 401.13, 519-521, 566-571
See application file for complete search history.

D234,123 S	1/1975	Ragagli	D9/290
D251,203 S	2/1979	Williamson	D24/63
D258,051 S	1/1981	Bakus	D9/449
D260,372 S	8/1981	Fantozzi	D9/436
D264,053 S	4/1982	Ma et al.	D9/442
D264,940 S	6/1982	Stock	D9/352
D264,941 S	6/1982	Stock	D9/370
D279,169 S	6/1985	Banasik	D9/447
4,570,834 A	2/1986	Ward	222/566
D302,388 S	7/1989	Huff	D9/447
4,872,778 A	10/1989	Longo	401/266
4,932,238 A *	6/1990	Yoshida et al.	73/23.2
5,017,113 A	5/1991	Heaton et al.	425/87
D318,233 S	7/1991	Ackerman	D9/447
D326,816 S	6/1992	Abrams	D9/435
D327,016 S	6/1992	Leuenberger	D9/447
D327,847 S	7/1992	Willems et al.	D9/434
D332,221 S *	1/1993	Willems	D9/447

(Continued)

OTHER PUBLICATIONS

Packaging Magazine, Sep. 1987, p. 65, 'Water Lengths', 'Bausch & Lomb', 'Ultress', 'Elmer's' and French's caps.*
Packaging Magazine, Sep. 1988, p. 14, Nice 'n Easy Bottles, top of page.*

Primary Examiner—Lucy Lieberman
Assistant Examiner—Zenita I. Bennett
(74) *Attorney, Agent, or Firm*—Gifford, Krass, Groh, Sprinkle, Anderson & Citowski, P.C.

(56) **References Cited**

U.S. PATENT DOCUMENTS

817,890 A	4/1906	Williams	
884,761 A	4/1908	Richard	
1,305,476 A *	6/1919	McCord 222/449
1,520,029 A *	12/1924	Lewis 222/478
1,531,245 A	3/1925	Ozanne	
2,112,548 A *	3/1938	Wilson 222/321.6
2,351,751 A *	6/1944	Fruin et al. 222/505
D165,577 S	1/1952	Fuld D58/26
D165,646 S	1/1952	Fuld D58/26
2,678,142 A	5/1954	Creed 215/100
D179,333 S	11/1956	Tupper D58/26
2,888,695 A	6/1959	Anderson et al. 15/135
2,917,197 A *	12/1959	Glover et al. 215/12.2
2,930,063 A	3/1960	Stull 15/135
2,988,775 A	6/1961	Painter et al. 18/3.5
3,093,274 A	6/1963	Galbierz 222/541
D206,411 S	12/1966	Marona et al. D58/26
3,430,826 A	3/1969	Microulis 222/570
D217,133 S	4/1970	O'Neill D9/275
D226,555 S	3/1973	Weber D9/278

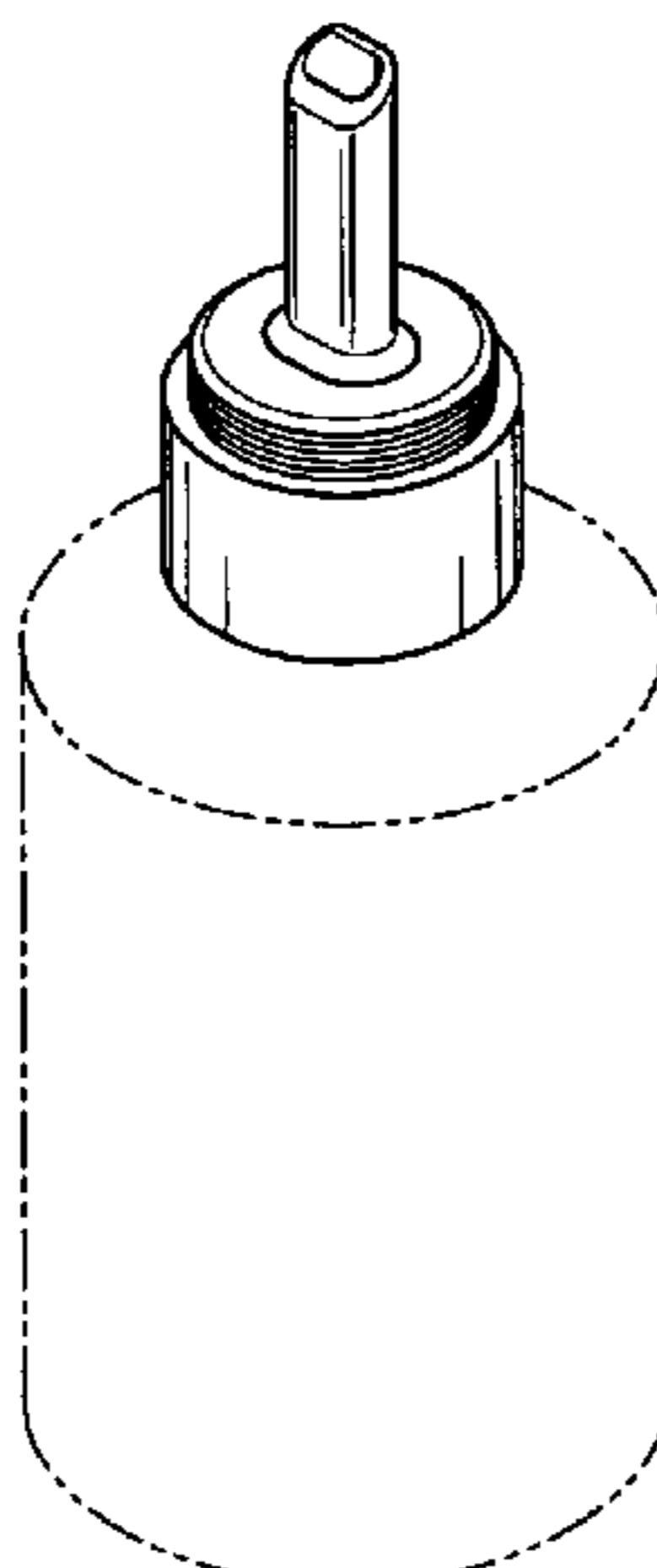
(57) **CLAIM**

The ornamental design for a gelled composition applicator tip, as shown and described.

DESCRIPTION

FIG. 1 is a top, front, right perspective view of the gelled composition applicator tip;
FIG. 2 is a top plan view of FIG. 1;
FIG. 3 is a front elevation of FIG. 1; and,
FIG. 4 is a right side elevation of FIG. 1.
The broken lines in the drawing are for illustrative purposes only and form no part of the claimed design.

1 Claim, 1 Drawing Sheet



US D524,648 S

Page 2

U.S. PATENT DOCUMENTS

5,246,150	A	9/1993	Delia	222/498	D383,673	S	*	9/1997	Daansen	D9/448
D339,985	S	* 10/1993	Tarte	D9/447	D419,070	S	*	1/2000	Schuermann	D9/449
D350,482	S	9/1994	Hu et al.	D9/448	D423,933	S		5/2000	Fritz et al.	D9/447
D354,898	S	1/1995	Nagy	D8/71	D445,335	S	*	7/2001	Hou	D9/447
D356,597	S	3/1995	Gray	D18/56	6,451,927	B1		9/2002	Haas et al.	525/426
D357,184	S	4/1995	Keith et al.	D9/447	D470,052	S		2/2003	Klutts	D9/447
D360,580	S	7/1995	Bomareto	D9/447	D479,466	S	*	9/2003	Bremner et al.	D9/434
D374,399	S	10/1996	Neveras et al.	D9/447	D487,398	S	*	3/2004	Bremner et al.	D9/434
5,588,560	A	12/1996	Benedict et al.	222/106	2002/0111439	A1		8/2002	Attarwala et al.	525/426

* cited by examiner

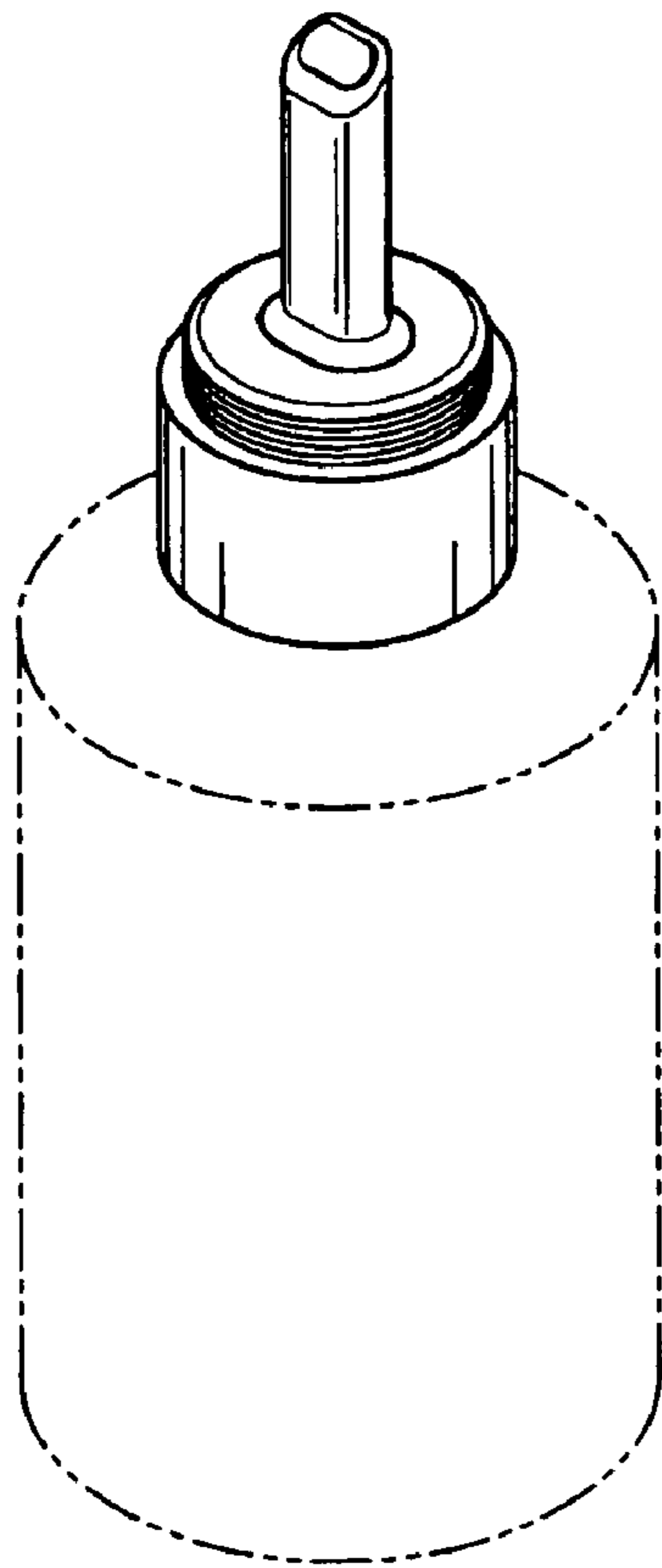


Figure 1

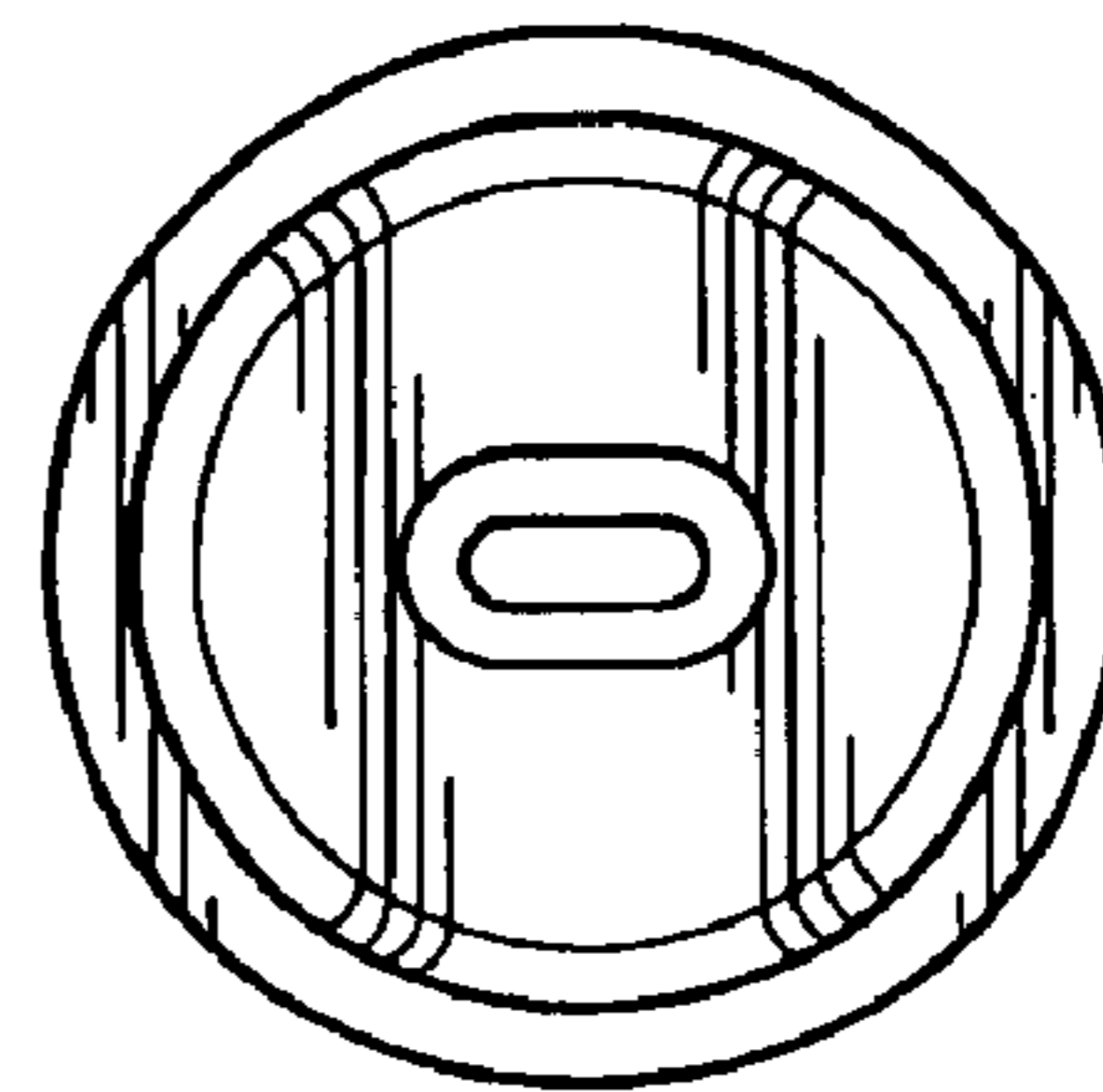


Figure 2

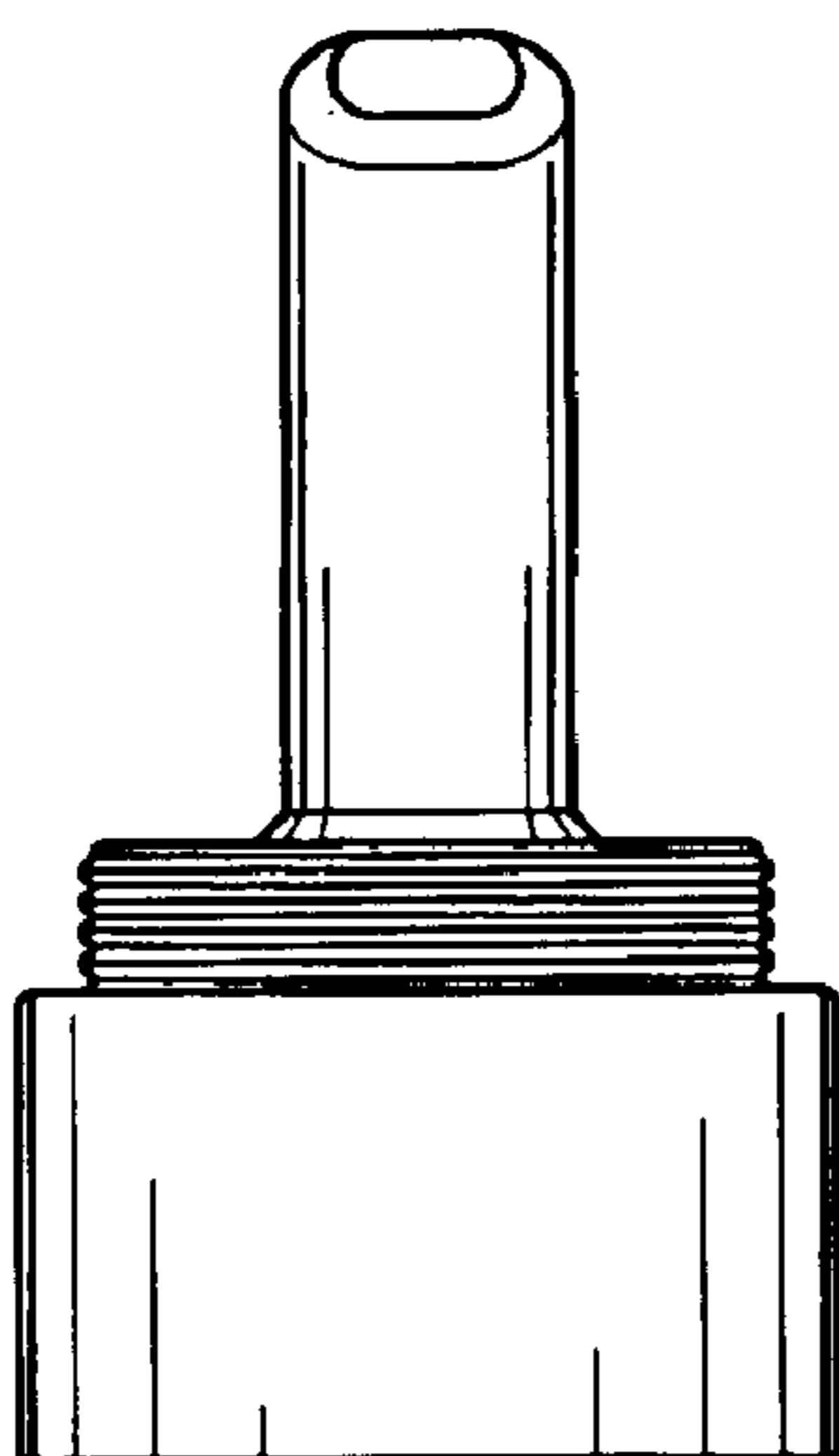


Figure 3

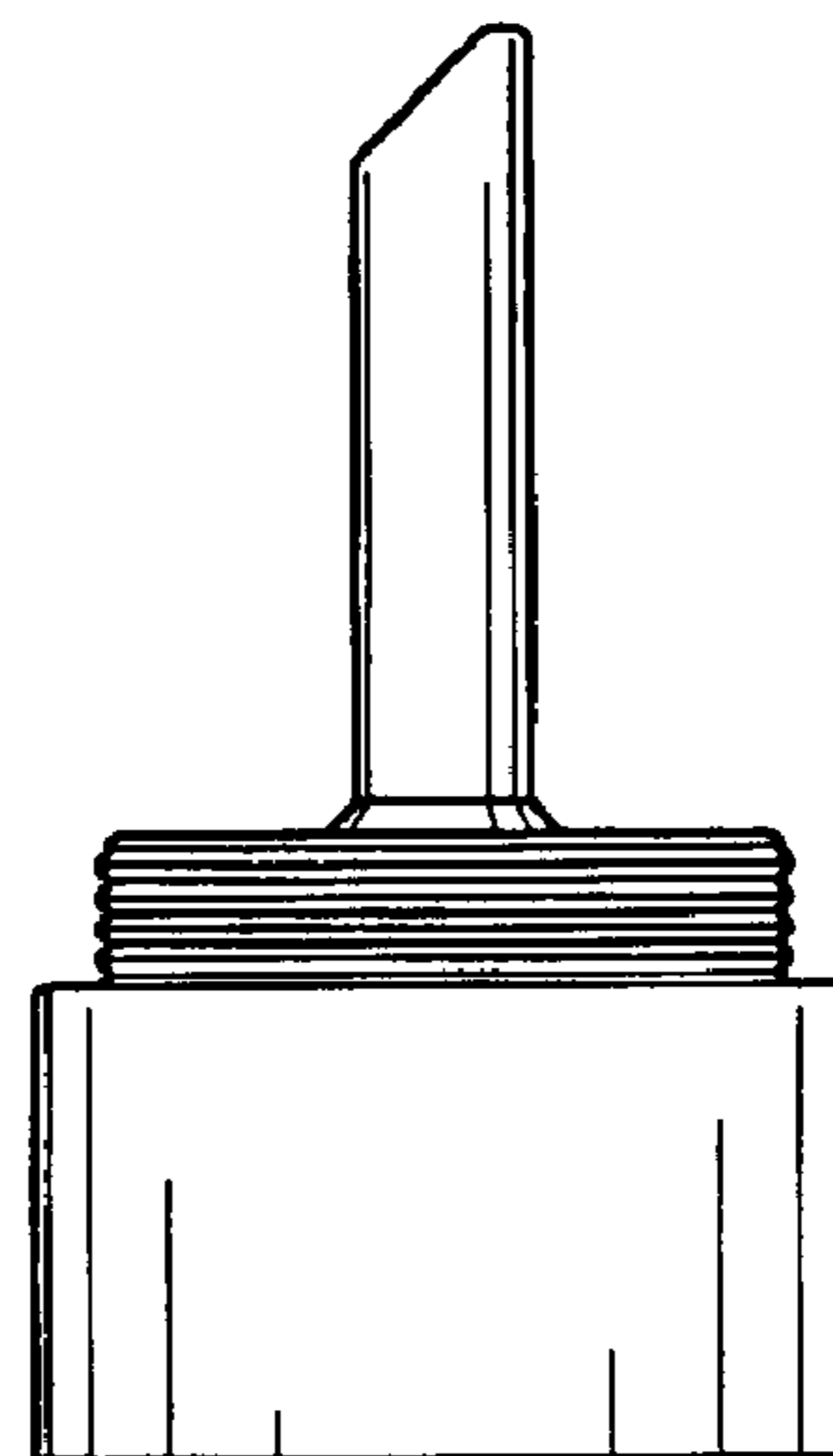


Figure 4