



US00D524643S

(12) **United States Design Patent**  
**Legrand**

(10) **Patent No.:** **US D524,643 S**

(45) **Date of Patent:** **\*\* Jul. 11, 2006**

(54) **CASE FOR CUTTING THREADS,  
ESPECIALLY FOR BRUSH CUTTERS AND  
STRING TRIMMERS**

D504,064 S \* 4/2005 Lee et al. .... D9/415  
6,874,629 B1 \* 4/2005 Wortrich ..... 206/349  
6,928,741 B1 \* 8/2005 Proulx et al. .... 30/276

(75) Inventor: **Emmanuel Legrand**, Ruisand (FR)

\* cited by examiner

(73) Assignee: **Speed France**, Arnas (FR)

*Primary Examiner*—Prabhakar Deshmukh

(\*\*) Term: **14 Years**

(74) *Attorney, Agent, or Firm*—Sonnenschein Nath &  
Rosenthal LLP; Bryan P. Stanley

(21) Appl. No.: **29/224,032**

(57) **CLAIM**

(22) Filed: **Feb. 24, 2005**

The ornamental design for case for cutting threads, especially for brush cutters and string trimmers, as shown and described.

(30) **Foreign Application Priority Data**

**DESCRIPTION**

Dec. 9, 2004 (EM) ..... 000265848

(51) **LOC (8) Cl.** ..... **09-07**

(52) **U.S. Cl.** ..... **D9/415**

(58) **Field of Classification Search** ..... D9/415,  
D9/418, 414, 430; 206/461–471, 769, 777,  
206/207, 209, 320, 349, 361, 362, 379, 380,  
206/806, 495; 224/904; D3/905, 294; 30/165,  
30/329, 347, 276; 56/12.7

See application file for complete search history.

FIG. 1 is a perspective view of a case for cutting threads, especially for brush cutters and string trimmers showing my new design;

FIG. 2 is a front elevational view thereof;

FIG. 3 is a rear elevational view thereof;

FIG. 4 is a right side elevational view thereof;

FIG. 5 is a left other side elevational view thereof;

FIG. 6 is a top plan view thereof;

FIG. 7 is a bottom plan view thereof;

FIG. 8 is a perspective view of a second embodiment of FIG. 1;

FIG. 9 is a front elevational view of FIG. 8;

FIG. 10 is a rear elevational view of FIG. 8;

FIG. 11 is a right side elevational view of FIG. 8;

FIG. 12 is a left side elevational view of FIG. 8;

FIG. 13 is top plan view of FIG. 8; and,

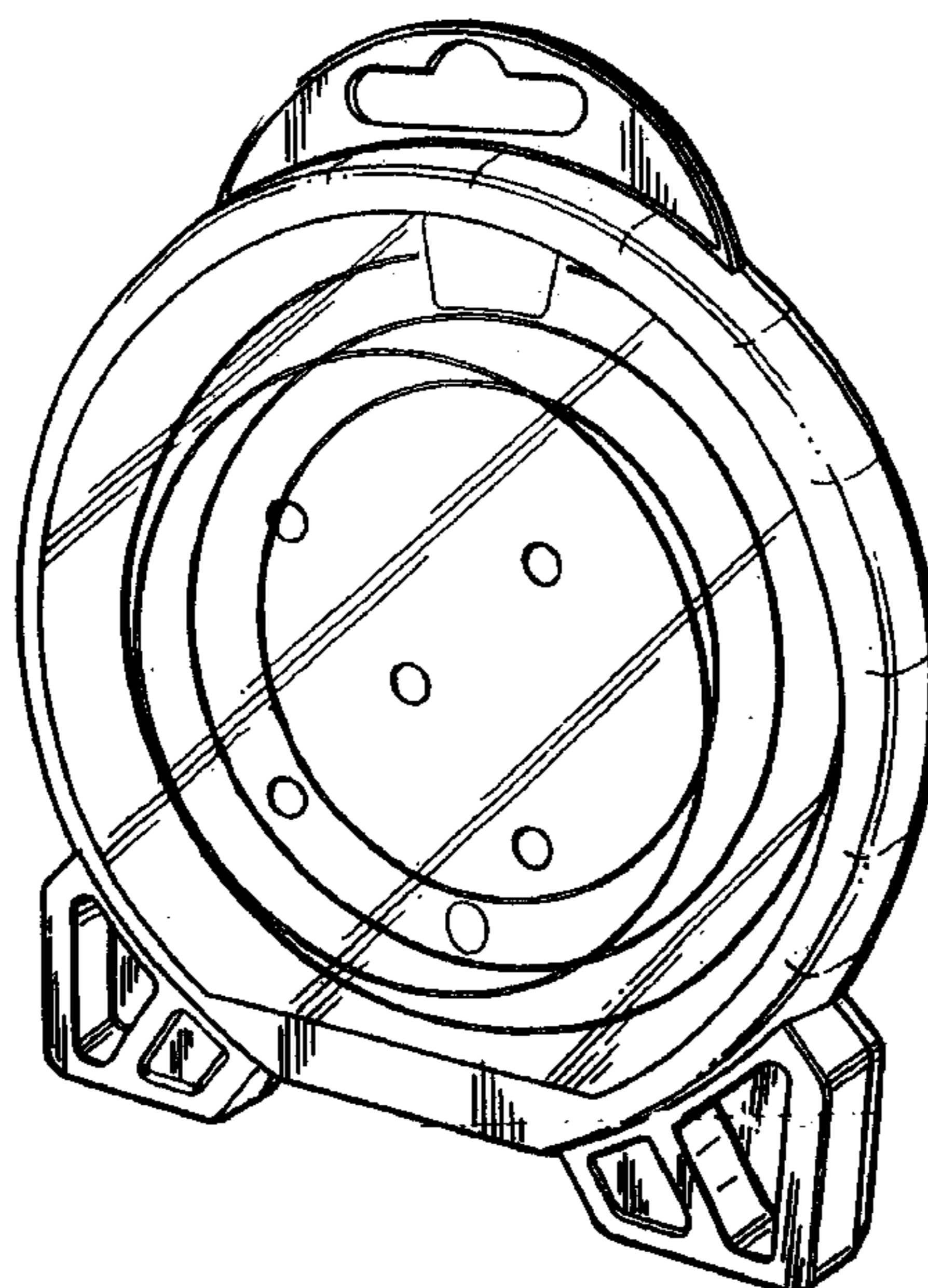
FIG. 14 is a bottom plan view of FIG. 8.

(56) **References Cited**

**U.S. PATENT DOCUMENTS**

4,285,157 A \* 8/1981 Lambert ..... 446/76  
D383,386 S \* 9/1997 Loubach ..... D9/415  
D384,579 S \* 10/1997 Lee ..... D9/415  
D397,934 S \* 9/1998 Giulianelli ..... D9/415  
D438,103 S \* 2/2001 Edwards et al. .... D9/415  
6,381,852 B1 \* 5/2002 Wallays et al. .... 30/123  
6,464,077 B1 \* 10/2002 Liu ..... 206/388  
D473,787 S \* 4/2003 Jones et al. .... D9/415

**1 Claim, 12 Drawing Sheets**



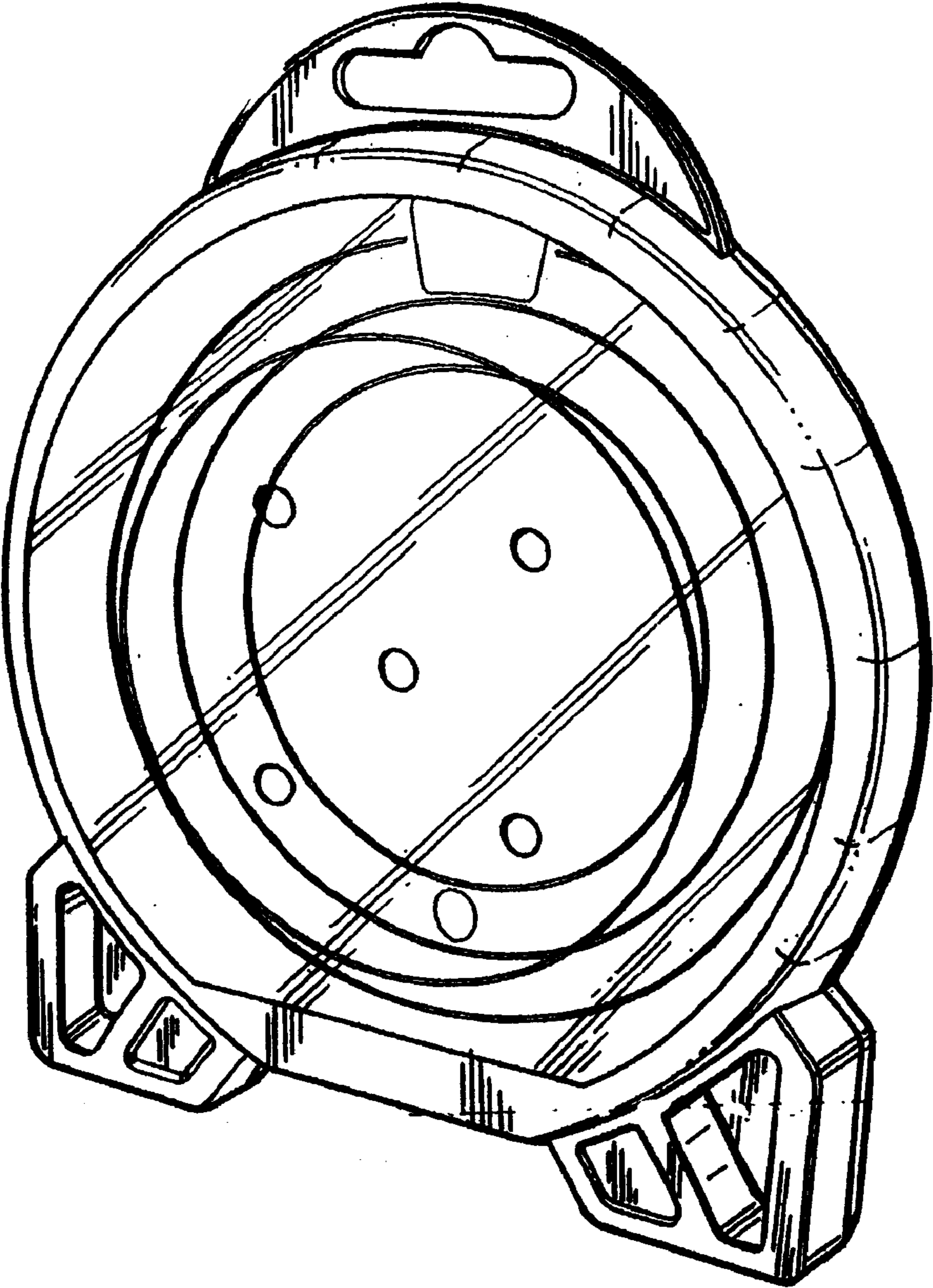


Figure 1

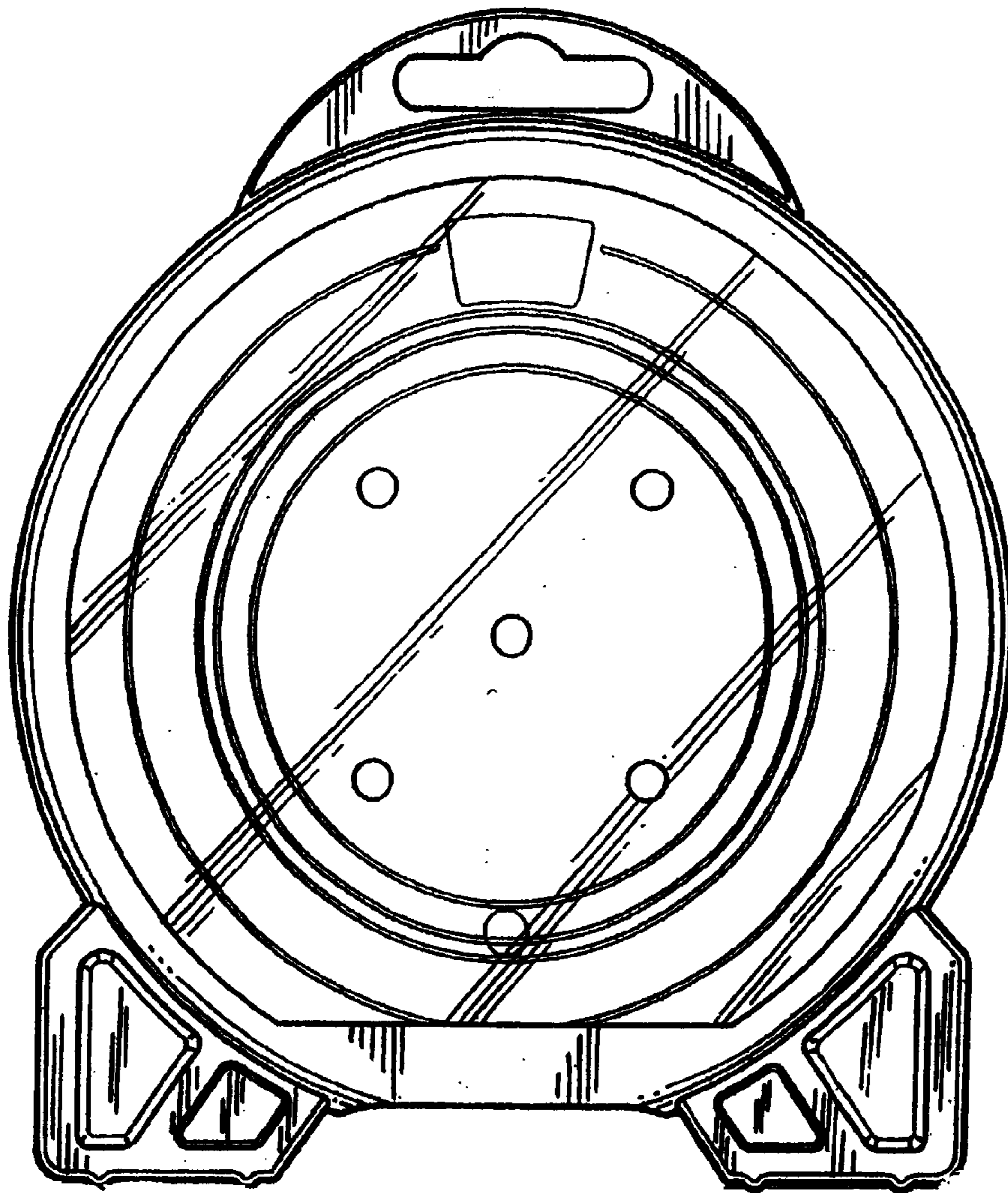


Figure 2

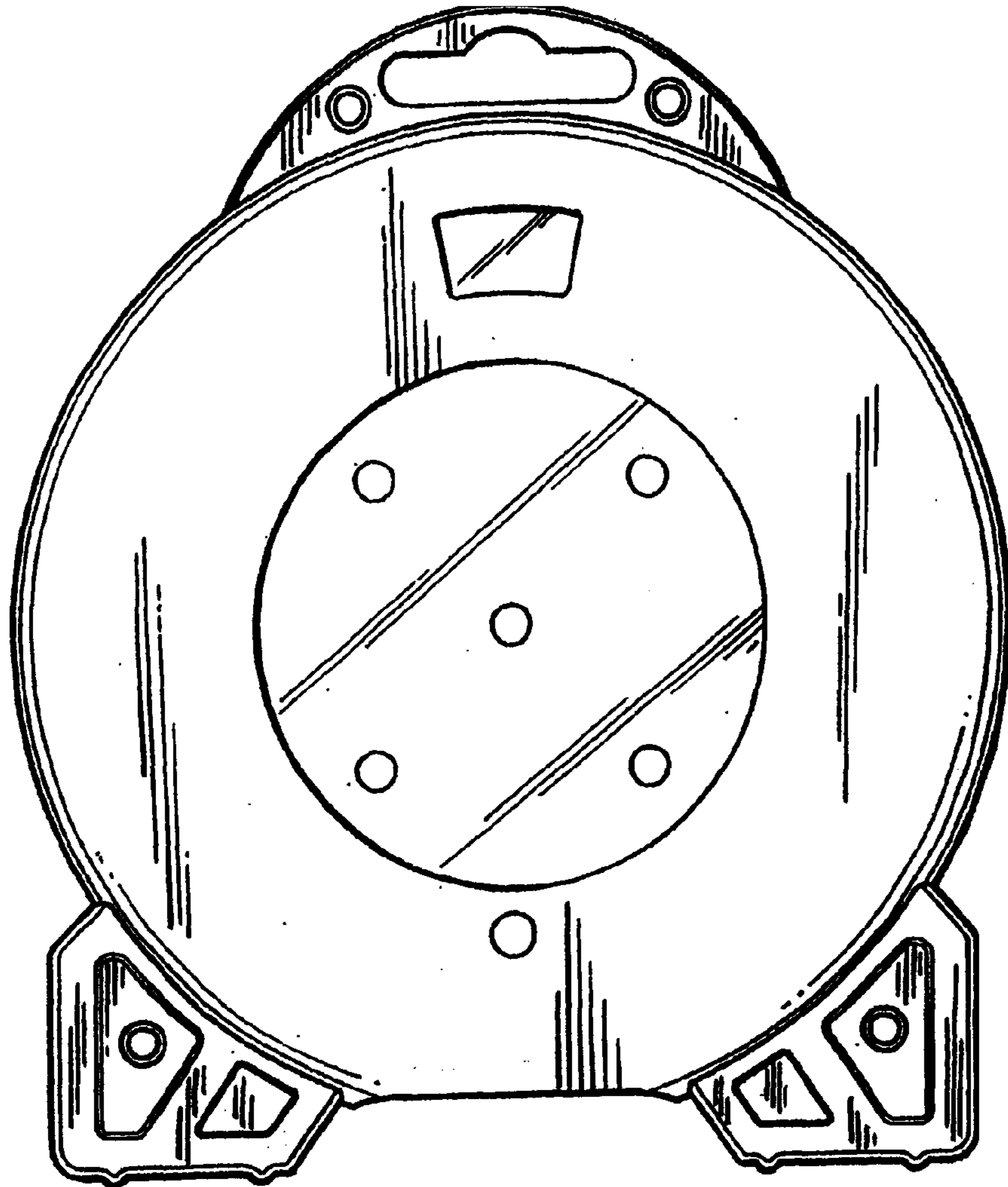


Figure 3

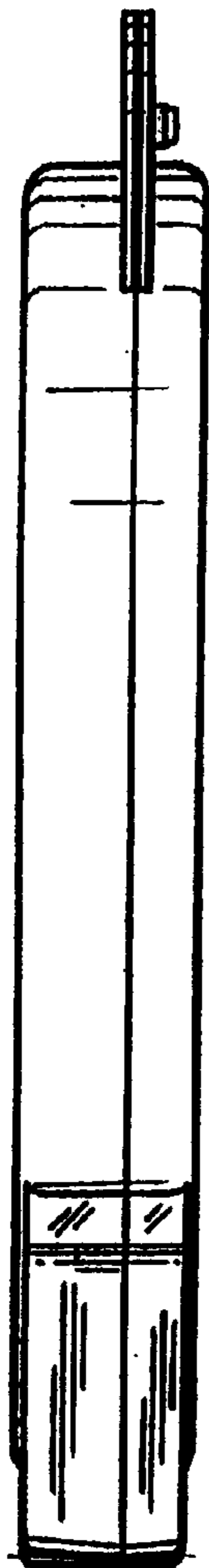


Figure 4

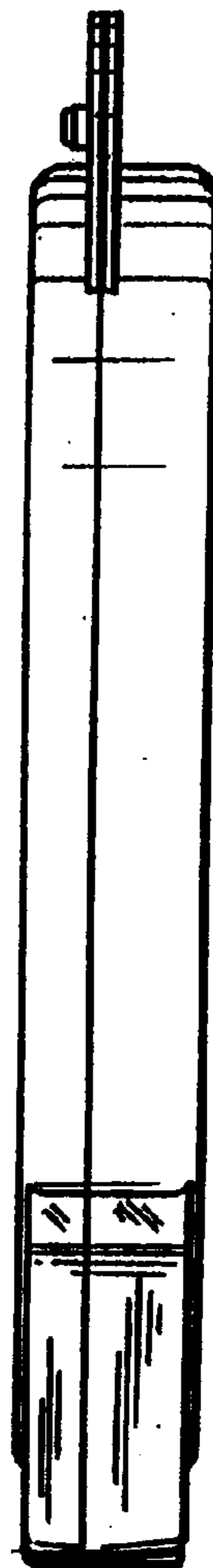


Figure 5

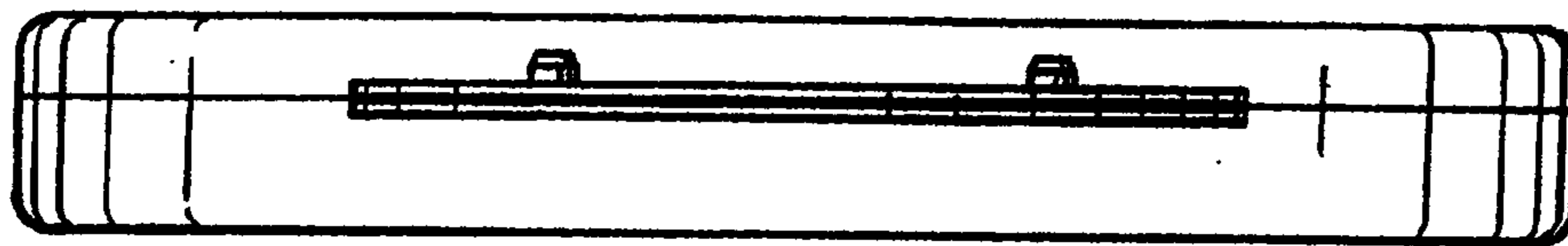


Figure 6

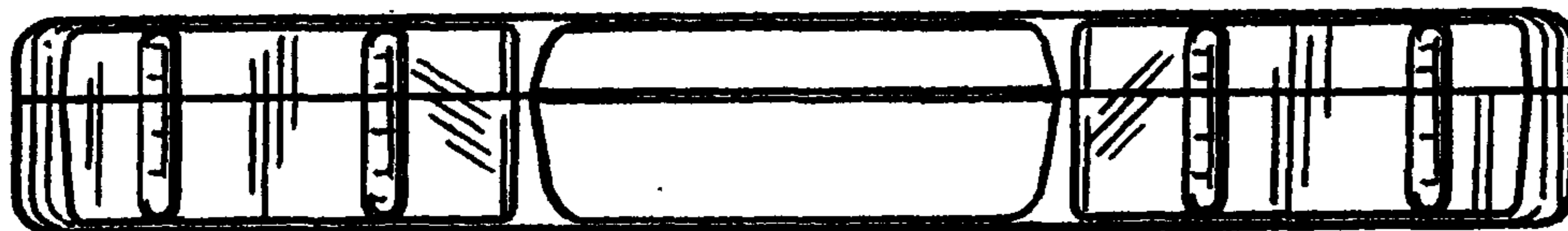


Figure 7

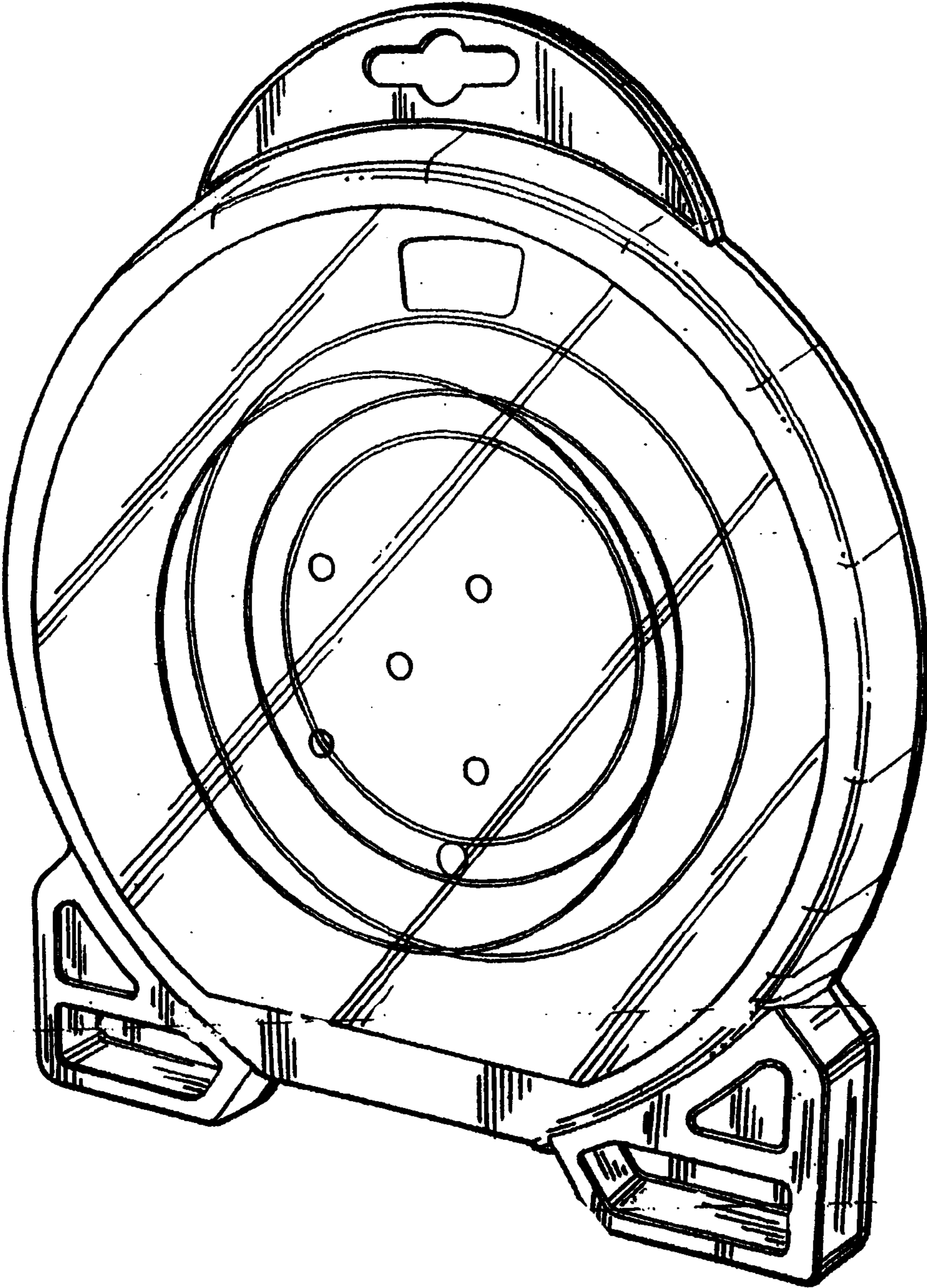


Figure 8



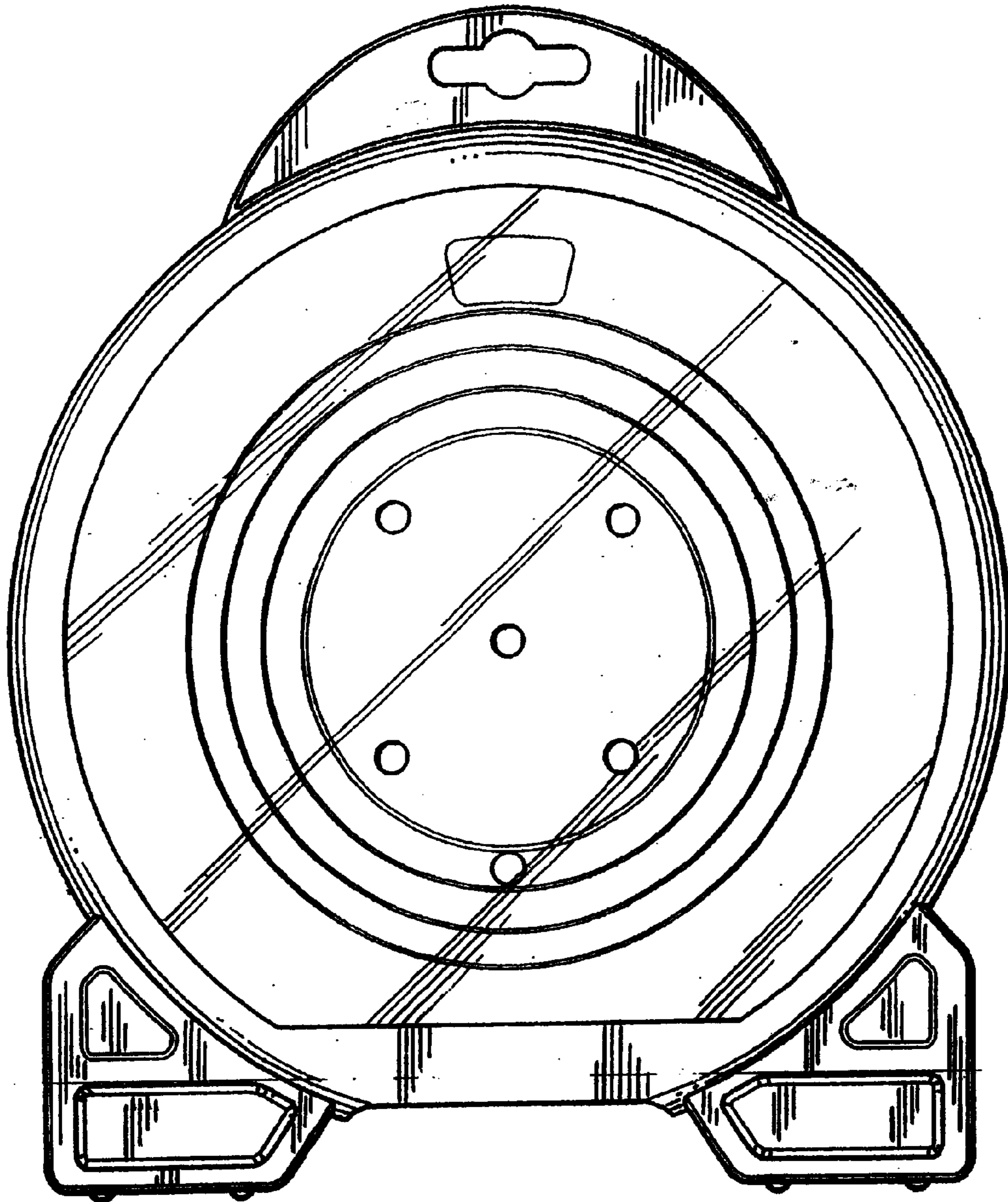


Figure 9

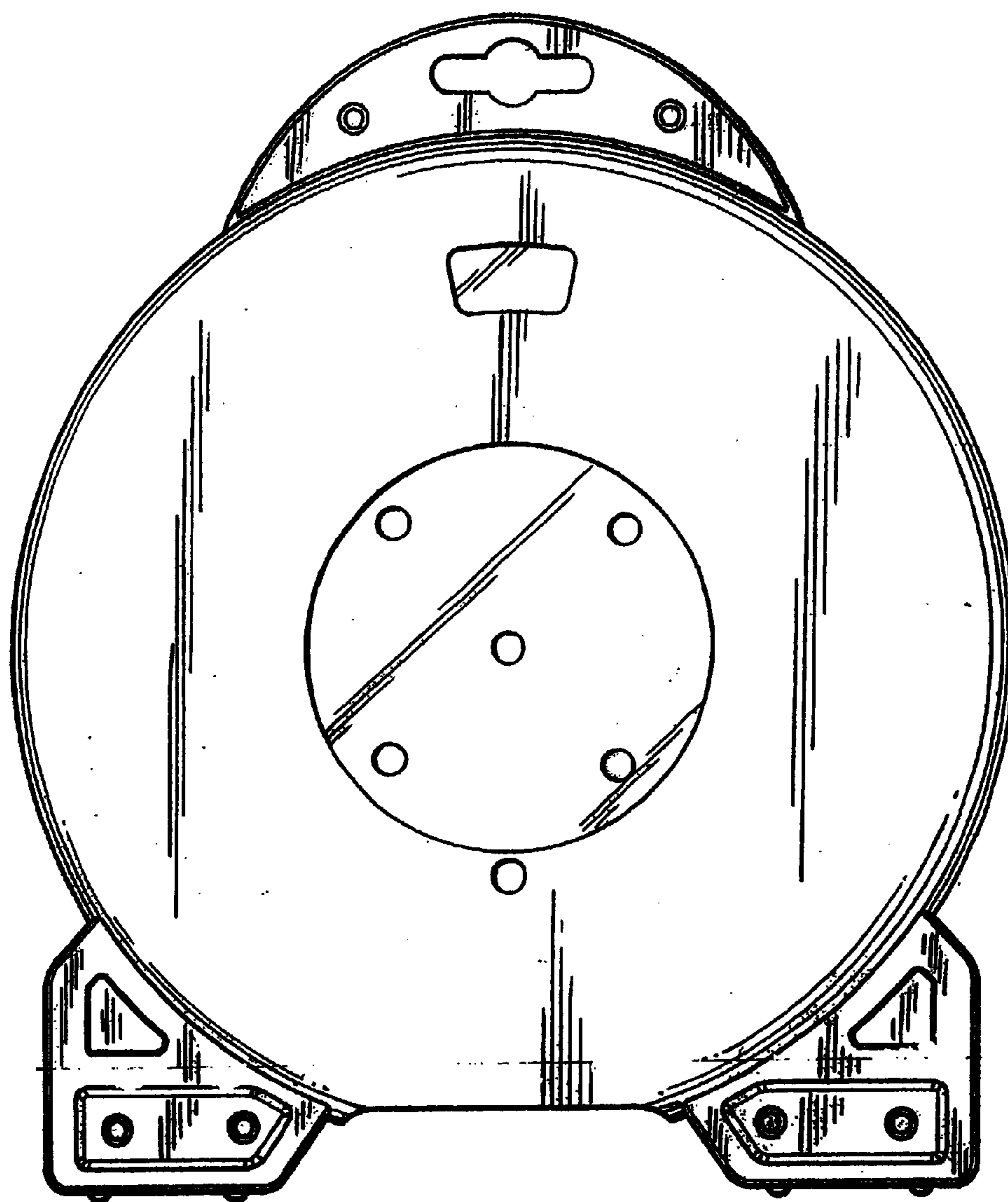


Figure 10

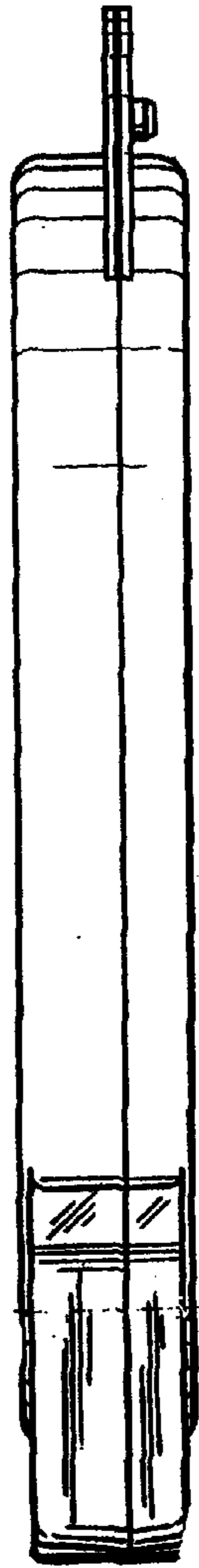


Figure 11



Figure 12

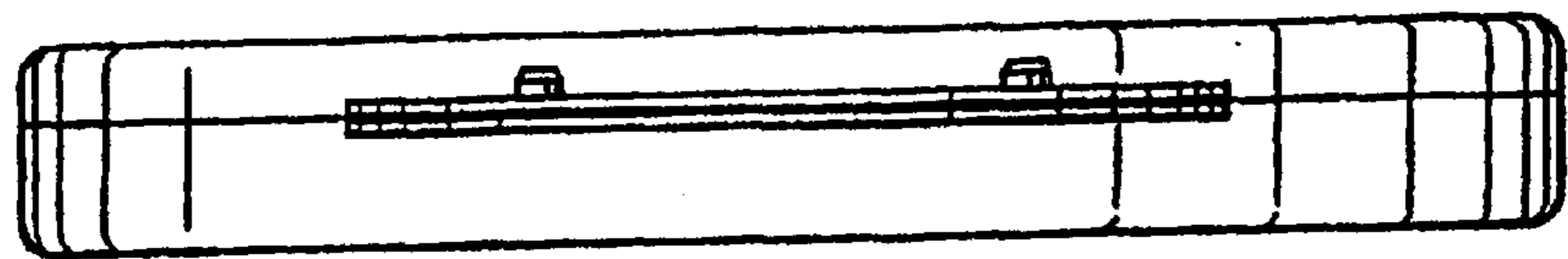


Figure 13

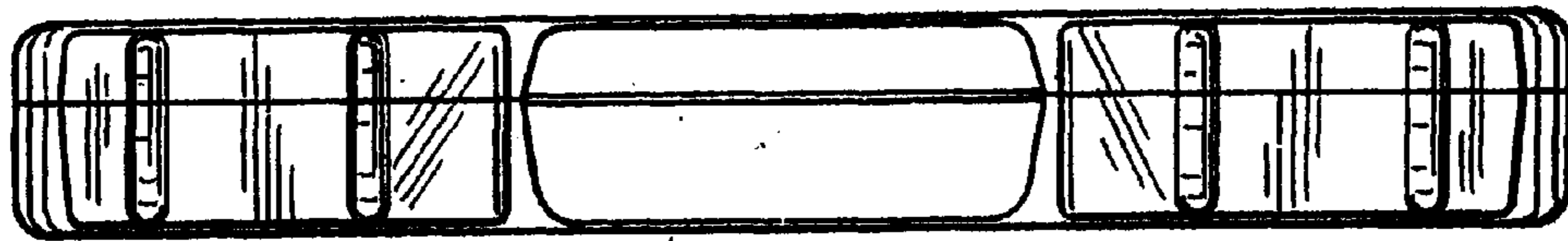


Figure 14