



US00D524637S

(12) **United States Design Patent**
Schluter

(10) **Patent No.:** **US D524,637 S**

(45) **Date of Patent:** **** Jul. 11, 2006**

(54) **ANTI-TAMPER FASTENER**

FOREIGN PATENT DOCUMENTS

(76) Inventor: **Robert Schluter**, 23 North Rd.,
Kineltion, NJ (US) 07405

EP 0 330 349 B1 1/1989
EP 0 570 040 A1 11/1993

(**) Term: **14 Years**

OTHER PUBLICATIONS

(21) Appl. No.: **29/241,938**

(22) Filed: **Nov. 2, 2005**

Textron Fastening Systems dated Mar. 3, 2004—Reduce In-place Costs with the TORX PLUS Drive System—www.textronfasteningsystems.com/products/torxplus/tp13_benefits.html, 3 pages.

Related U.S. Application Data

Camcar Textron Torx plus—Internal Tamper Resistant Screwdriver (Sheet 2)—Pg. No. NID-605—dated Feb. 13, 2002, 1 page.

(62) Division of application No. 29/201,782, filed on Mar. 19, 2004.

(51) **LOC (8) Cl.** **08-08**

Camcar Textron Torx plus—Tamper Resistant Key (Sheet 2)—p. NID-603—dated Feb. 13, 2002, 1 page.

(52) **U.S. Cl.** **D8/382**

(58) **Field of Classification Search** D8/387;
411/378, 403, 405

(Continued)

See application file for complete search history.

Primary Examiner—Holly Baynham

(56) **References Cited**

(74) *Attorney, Agent, or Firm*—Drinker Biddle & Reath LLP

U.S. PATENT DOCUMENTS

(57) **CLAIM**

- 2,169,460 A 8/1939 Broughton
- 2,851,295 A 9/1958 Chaffee
- 3,498,173 A 3/1970 Wright
- 4,242,932 A 1/1981 Barmore
- 4,266,453 A 5/1981 Farley
- 4,890,521 A 1/1990 Bien
- 4,924,736 A 5/1990 Bonner
- 5,168,782 A 12/1992 Cromwell
- D345,145 S 3/1994 Fogg et al.
- 5,291,811 A 3/1994 Goss
- 5,378,101 A 1/1995 Olson et al.
- 5,461,952 A 10/1995 Goss
- D363,878 S 11/1995 Hayabusa
- 5,485,769 A 1/1996 Olson et al.
- 5,595,099 A 1/1997 Pusateri
- D414,402 S * 9/1999 Lee D8/387
- D415,676 S 10/1999 Negishi et al.
- D422,202 S 4/2000 Maki
- 6,186,718 B1 2/2001 Fogard
- 6,302,632 B1 10/2001 Lin
- D464,254 S 10/2002 Monson
- 6,601,476 B1 8/2003 Hu
- D506,922 S 7/2005 Simon

The ornamental design for an anti-tamper fastener, as shown and described.

DESCRIPTION

FIG. 1 is an isometric view of an anti-tamper fastener portion showing my new design.

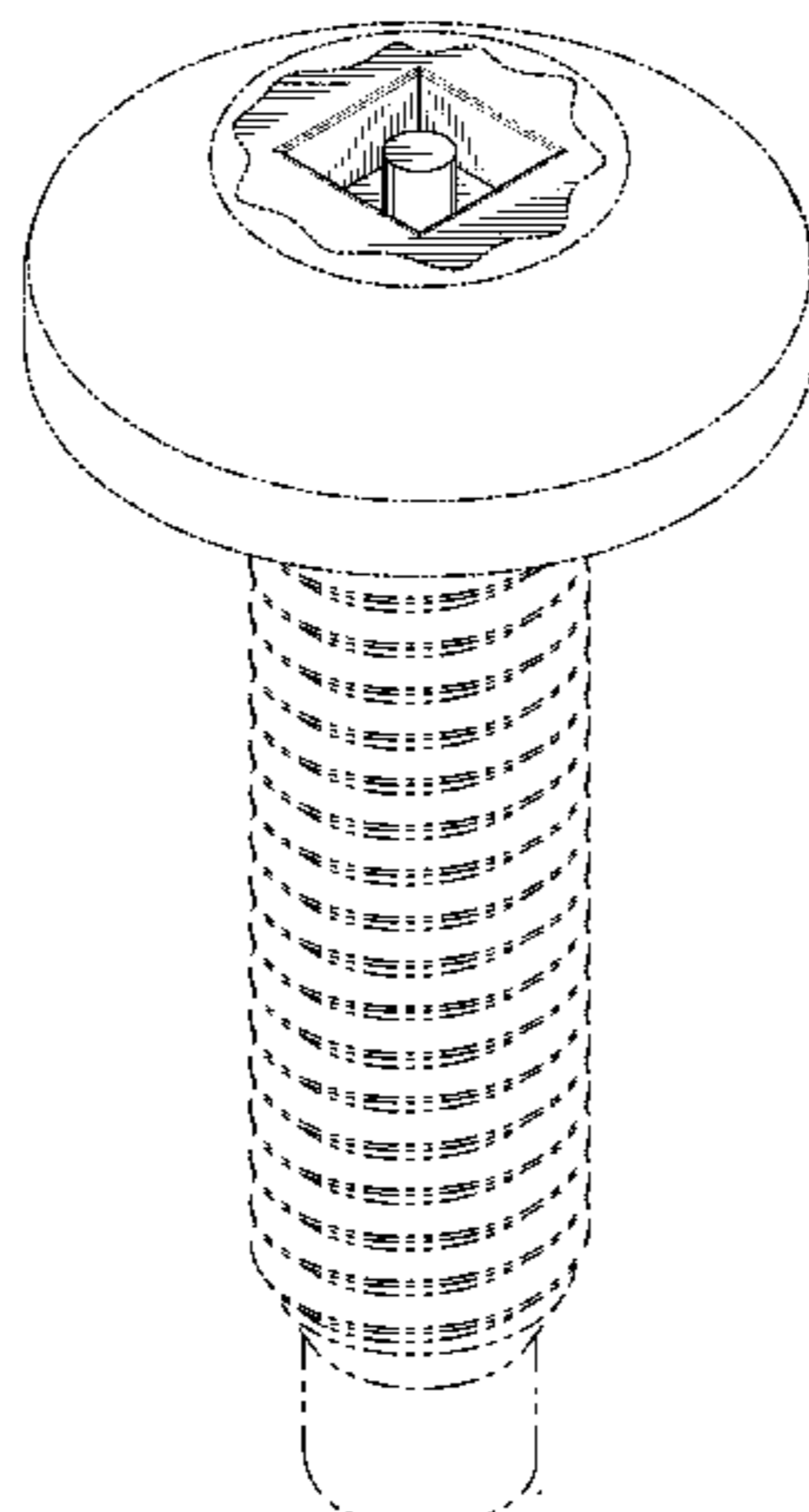
FIG. 2 is a top end view of the anti-tamper fastener portion shown in FIG. 1.

FIG. 3 is a bottom end view of the anti-tamper fastener portion shown in FIG. 1; and,

FIG. 4 is a partial cross-sectional front elevation view of the anti-tamper fastener portion taken along line 5—5 in FIG. 3.

The portions of the drawings appearing in broken line are for environment only and do not form a part of the design.

1 Claim, 2 Drawing Sheets



OTHER PUBLICATIONS

Camcar Textron Torx plus—Internal Tamper Resistant Torx Plus Drive Bit (sheet 2)—p. NID-602—dated Feb. 13, 2002, 1 page.

Camcar Textron Torx plus—Internal Tamper Resistant Torx Plus Drive Bit Sheet 1)—p. NID-602—dated May 24, 2002, 1 page.

Camcar Textron Torx plus—Tamper Resistant Torx Plus with Autosert® Feature Head Standards—p. NIH-30.3—dated Oct. 1999, 1 page.

Camcar Textron Torx plus—Tamper Resistant Head Standards (Sheet 2 of 2)—p. NIH-30.2—dated Sep. 19, 2002, 1 page.

* cited by examiner

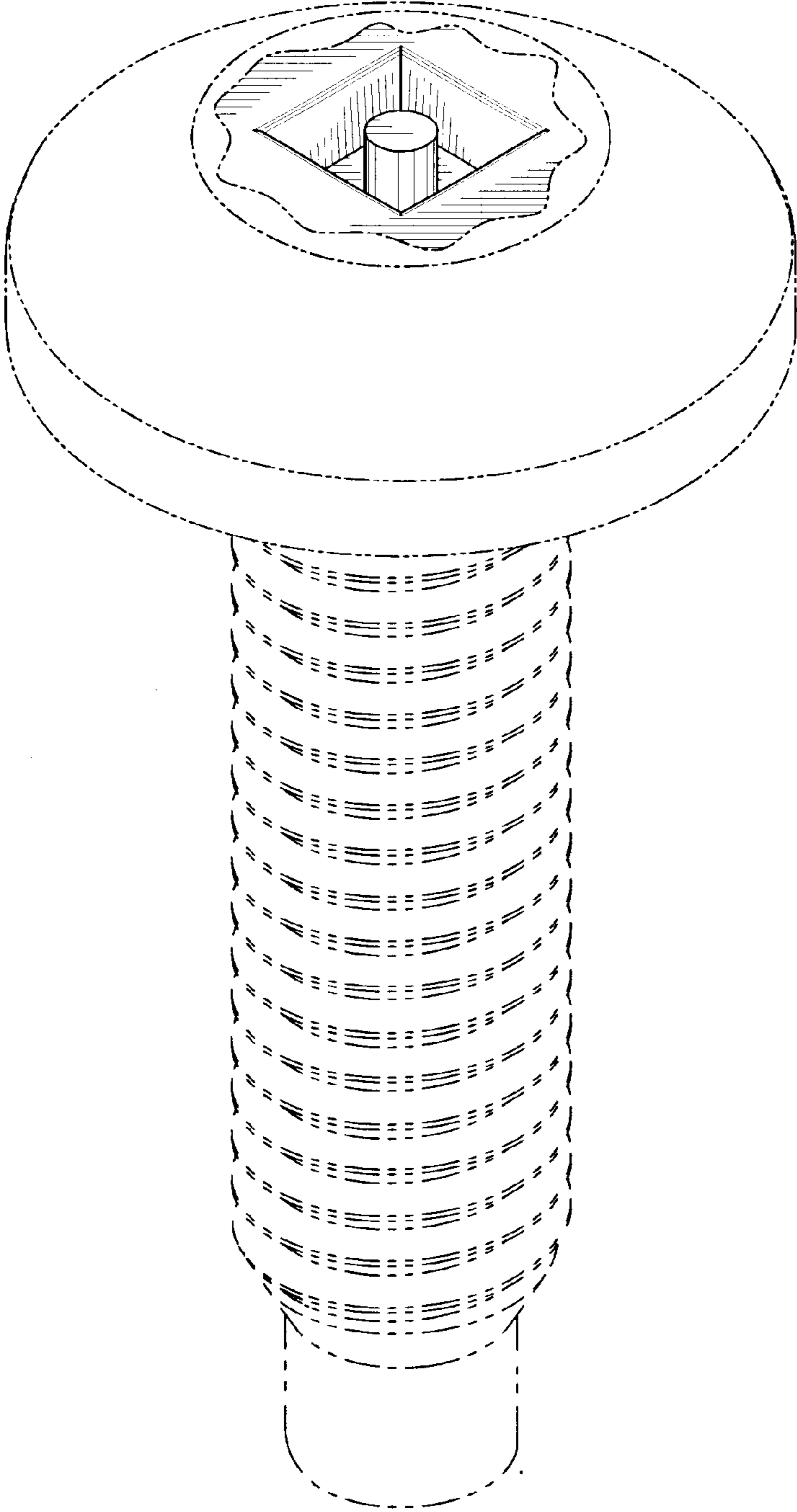


FIG. 1

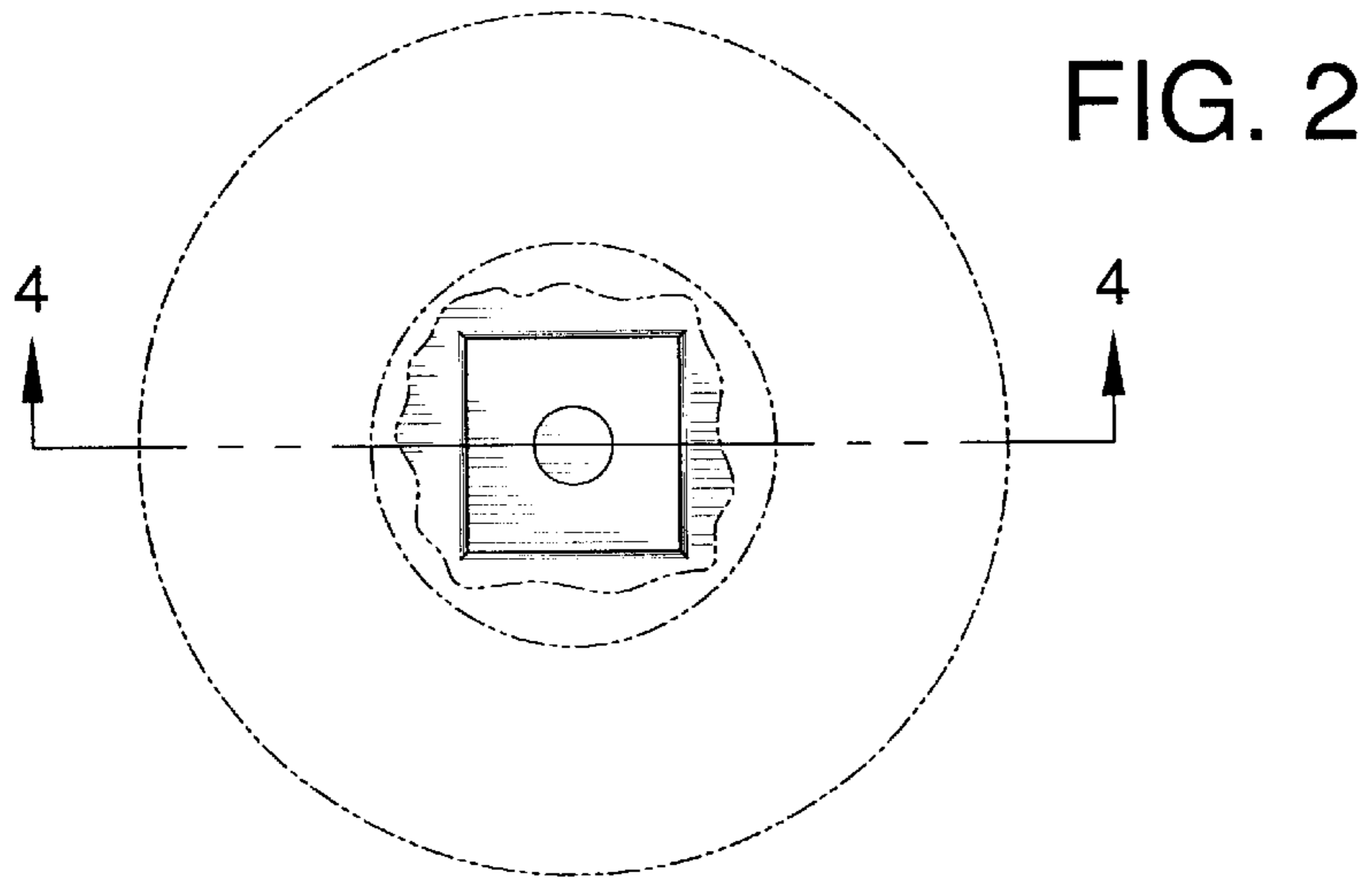


FIG. 3

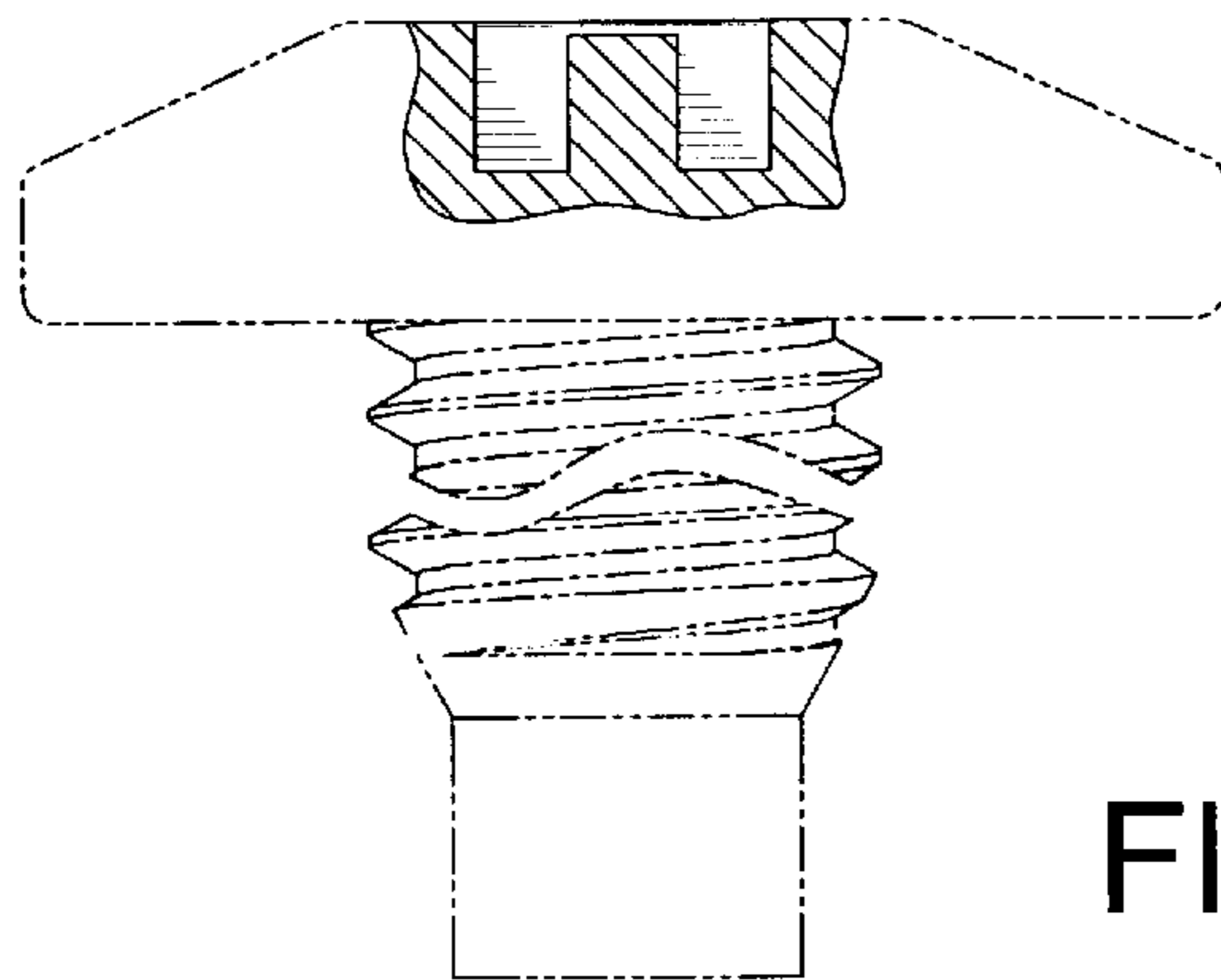
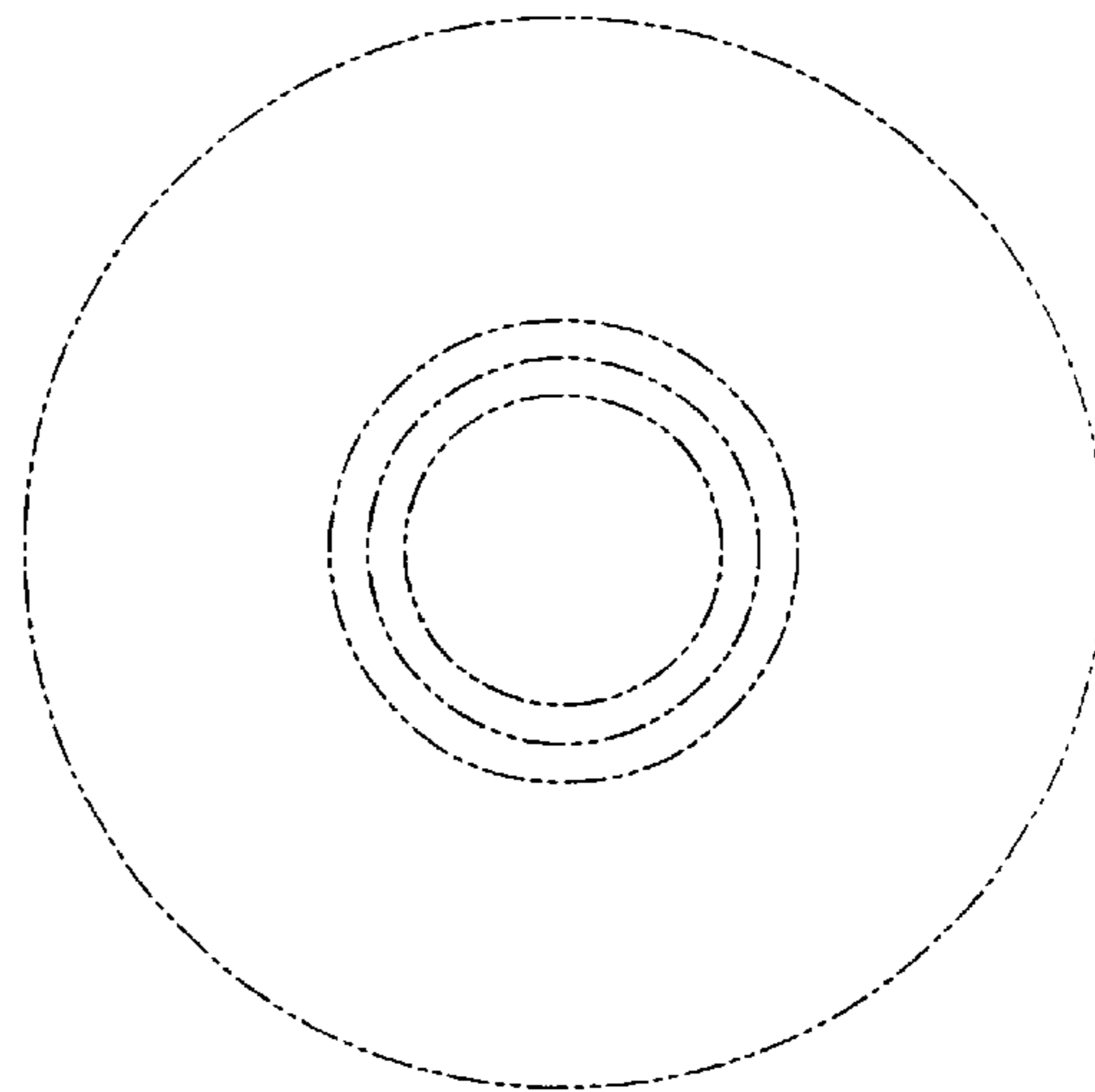


FIG. 4