



US00D524631S

(12) **United States Design Patent**
Boote

(10) **Patent No.:** **US D524,631 S**

(45) **Date of Patent:** **** Jul. 11, 2006**

(54) **HOOD LATCH**

(75) Inventor: **Peter Boote**, Totnes (GB)

(73) Assignee: **Specialty Fasteners & Components Ltd.**, Totnes (GB)

(**) Term: **14 Years**

(21) Appl. No.: **29/222,260**

(22) Filed: **Jan. 28, 2005**

(30) **Foreign Application Priority Data**

Jul. 29, 2004 (EP) 000212592

(51) **LOC (8) Cl.** **08-07**

(52) **U.S. Cl.** **D8/331; D8/343**

(58) **Field of Classification Search** D8/330,
D8/331, 339, 341, 343, 301, 302; 70/14,
70/51, 52, 69-76, 110, 111, 164, 137, 240,
70/141, DIG. 80, 241; 292/95, 129, 283,
292/300, 358, 359, DIG. 14

See application file for complete search history.

(56) **References Cited**

U.S. PATENT DOCUMENTS

4,074,549 A * 2/1978 Yee 70/7

4,936,611 A * 6/1990 Palvolgyi 292/28
5,551,738 A * 9/1996 Thorlton 292/262
6,422,616 B1 * 7/2002 Wortmann et al. 292/216
6,588,525 B1 * 7/2003 Brogly et al. 180/69.21
6,598,912 B1 * 7/2003 Hillgaertner et al. 292/225
D483,646 S * 12/2003 Teskey et al. D8/331
D510,516 S * 10/2005 Magnusson D8/331

* cited by examiner

Primary Examiner—Prabhakar Deshmukh

(74) *Attorney, Agent, or Firm*—Dykema Gossett PLLC

(57) **CLAIM**

The ornamental design for a hood latch, as shown and described.

DESCRIPTION

FIG. 1 is a top plan view of a hood latch according to my design,

FIG. 2 is a bottom plan view thereof,

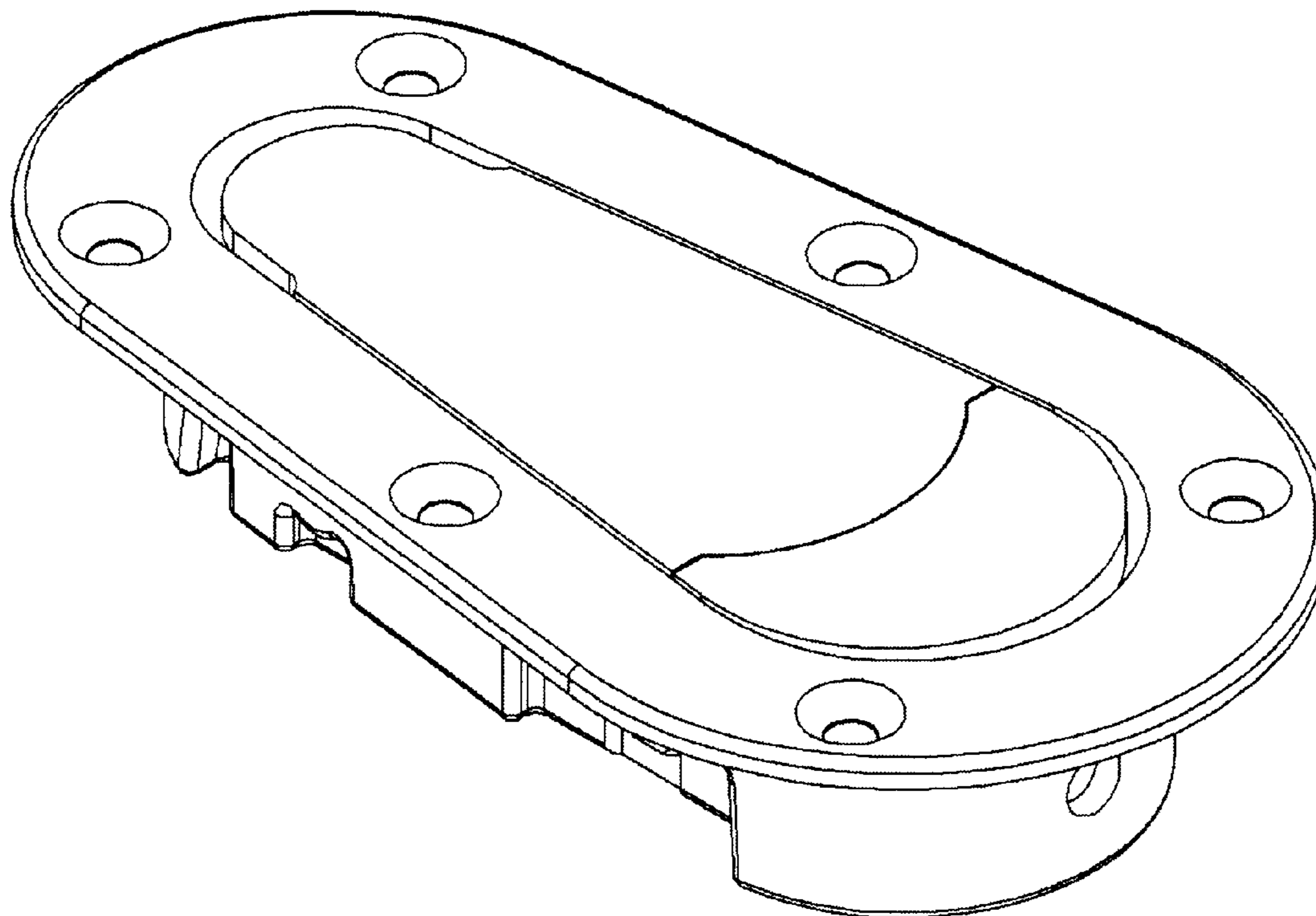
FIG. 3 is a side view thereof, the opposite side view being a mirror image,

FIG. 4 is an end view thereof as seen from the right in FIG. 1,

FIG. 5 is an opposite end view thereof; and,

FIG. 6 is a perspective view thereof.

1 Claim, 3 Drawing Sheets



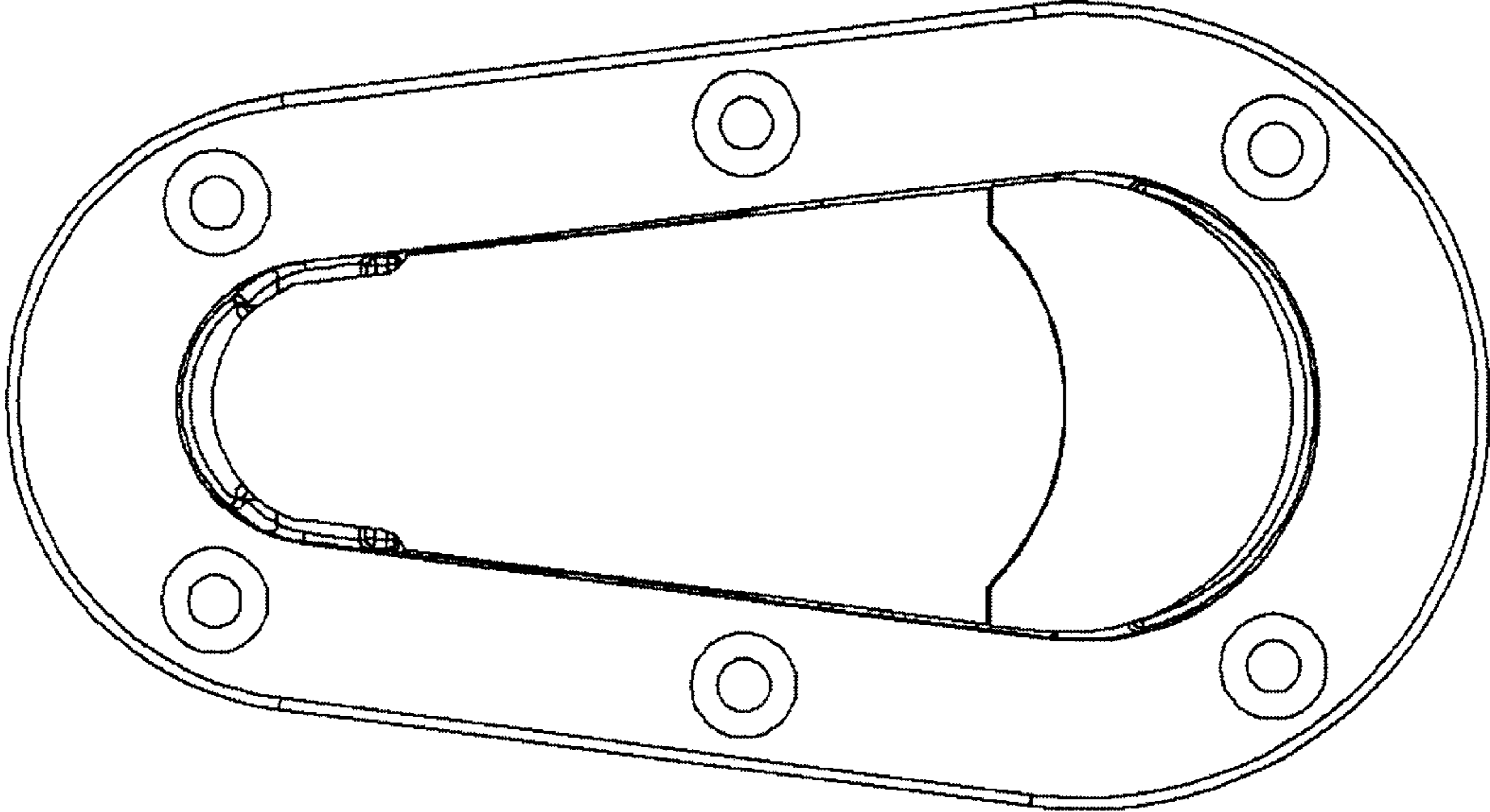


Figure 1

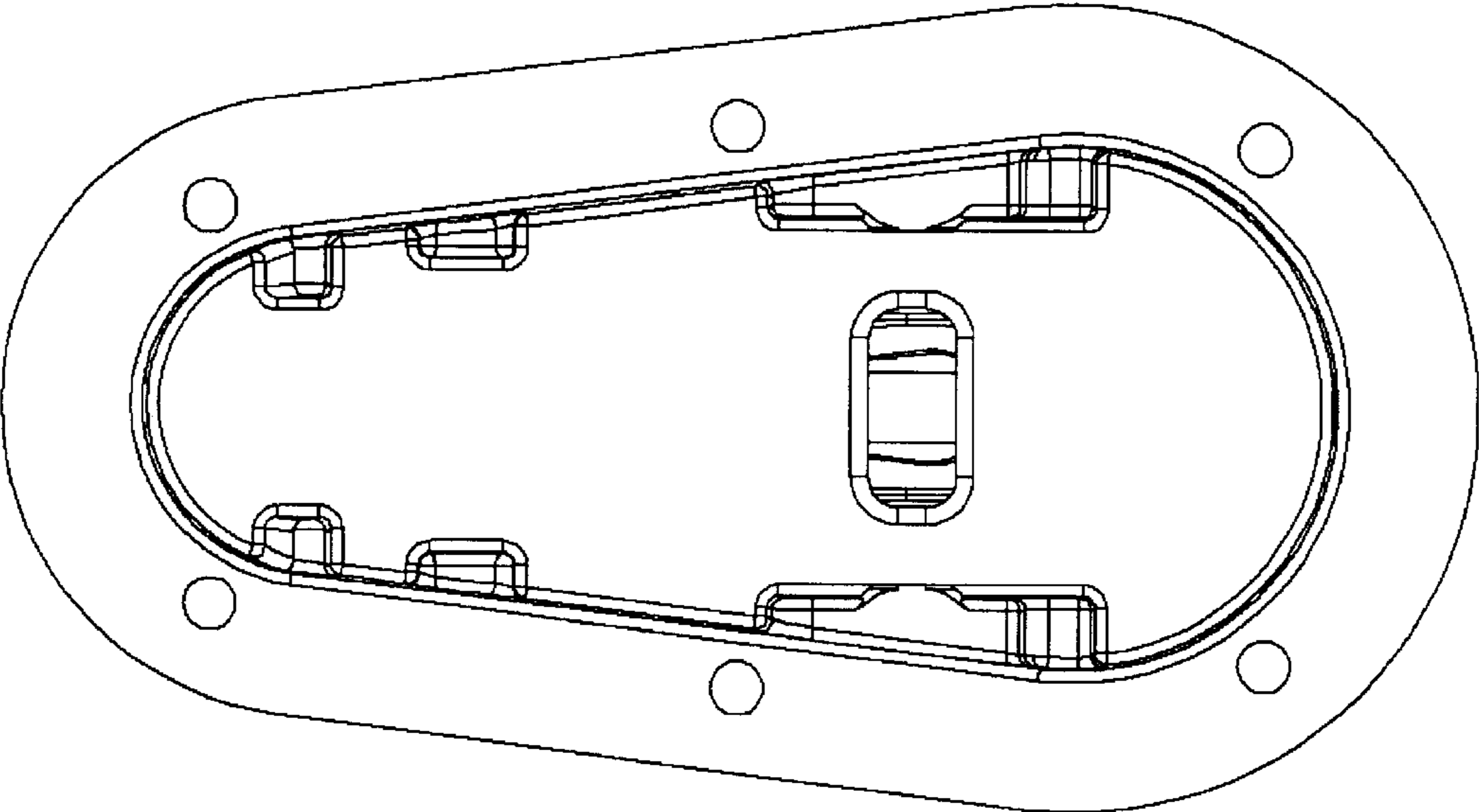


Figure 2

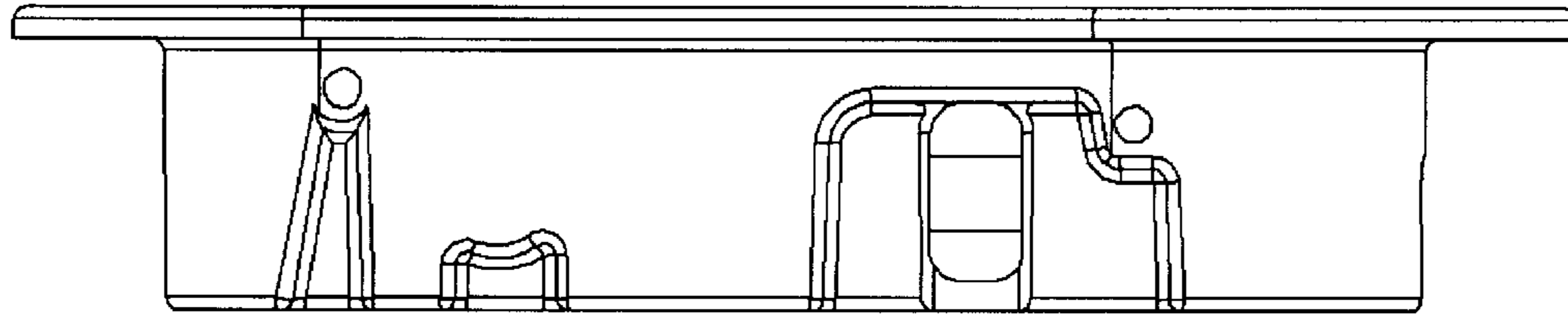


Figure 3

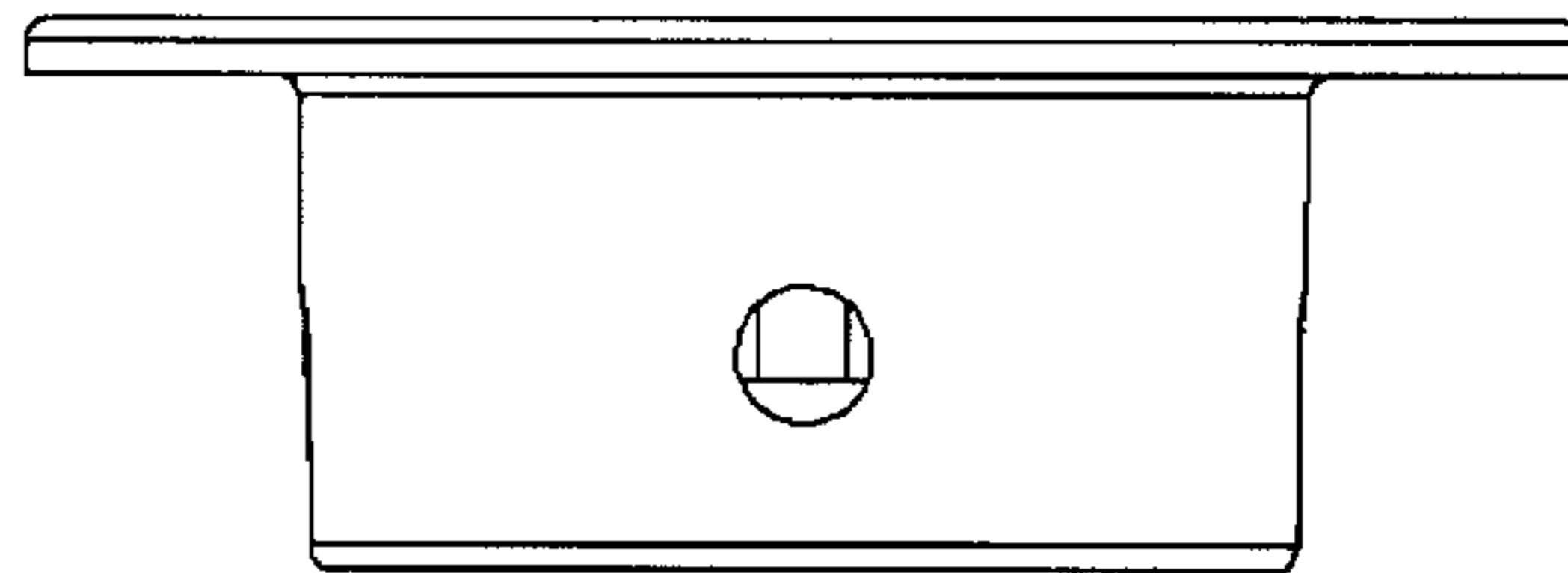


Figure 4

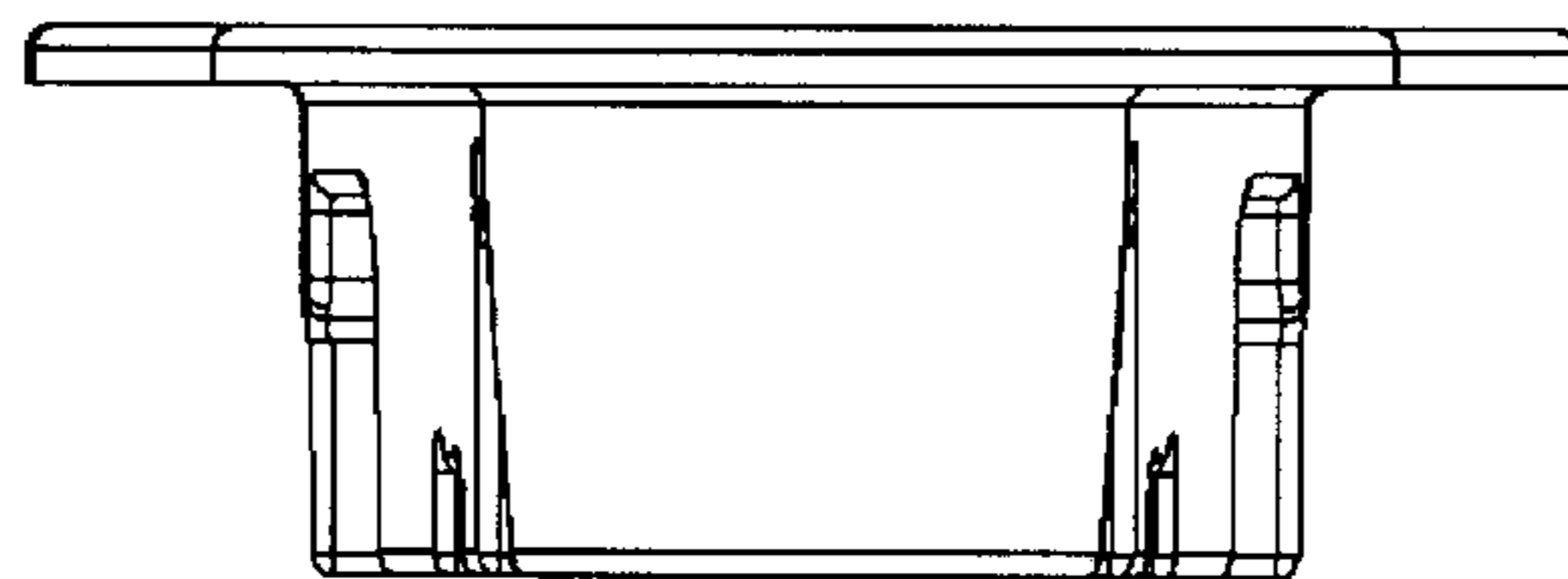


Figure 5

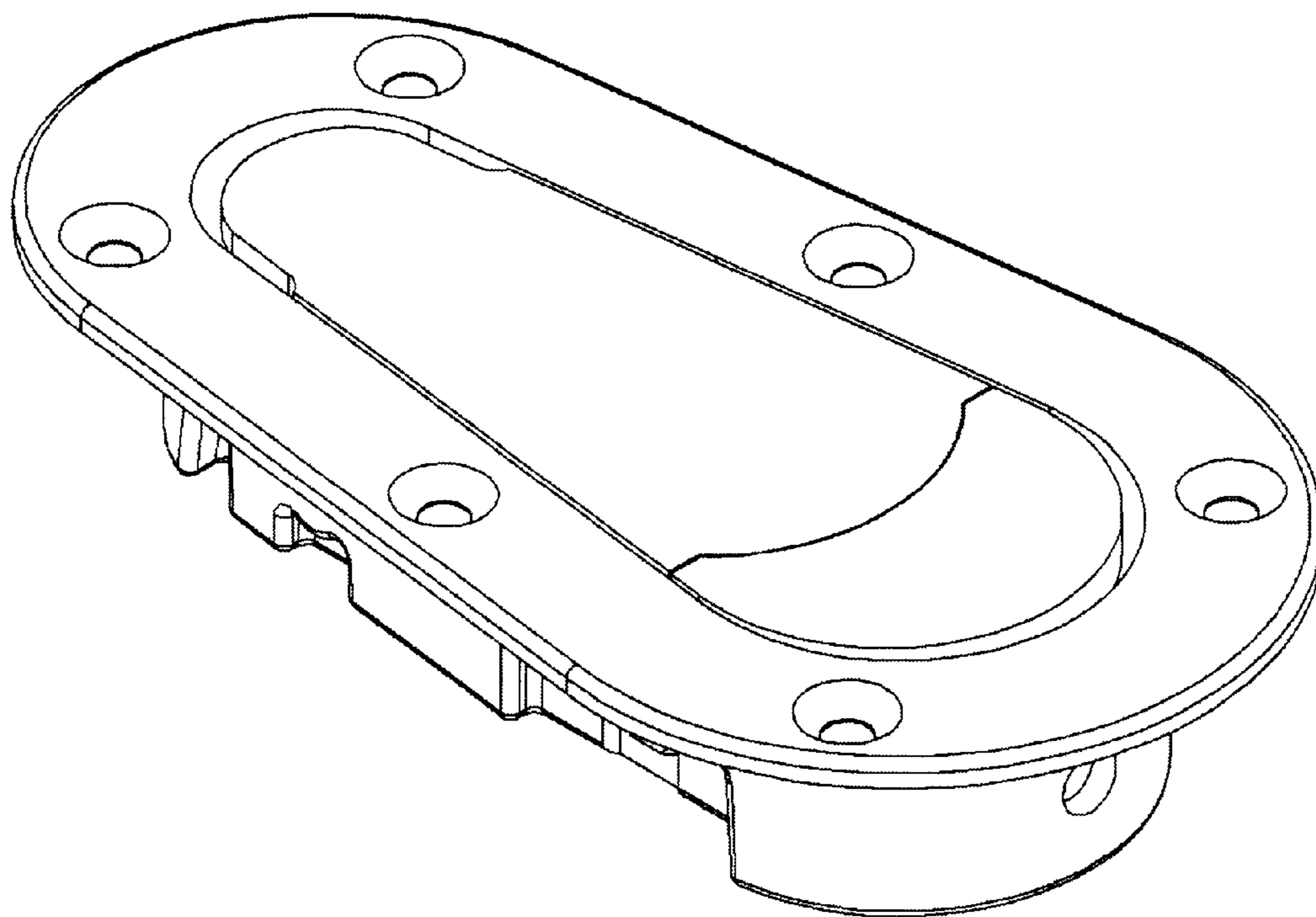


Figure 6