



US00D524630S

(12) **United States Design Patent**
Veltz

(10) **Patent No.:** **US D524,630 S**

(45) **Date of Patent:** **** Jul. 11, 2006**

(54) **LEVER**

(75) **Inventor:** **Jason D. Veltz**, Laguna Hills, CA (US)

(73) **Assignee:** **NewFrey LLC**, Newark, DE (US)

(**) **Term:** **14 Years**

(21) **Appl. No.:** **29/233,445**

(22) **Filed:** **Jul. 1, 2005**

(51) **LOC (8) Cl.** **08-06**

(52) **U.S. Cl.** **D8/308**

(58) **Field of Classification Search** D8/300-310,
D8/DIG. 10; D23/250-254, 238-243; 74/543,
74/545; 292/356; 16/110.1, 412
See application file for complete search history.

(56) **References Cited**

U.S. PATENT DOCUMENTS

- D285,597 S * 9/1986 Miller et al. D23/242
- D290,496 S * 6/1987 Ryan D23/252
- D318,717 S * 7/1991 Spangler D23/252
- D332,824 S * 1/1993 Robbins D23/252

- D357,525 S * 4/1995 Fabian D23/252
- D407,466 S * 3/1999 Hundley et al. D23/252
- D414,396 S * 9/1999 Deibel D8/308

* cited by examiner

Primary Examiner—Paula A. Greene

(74) *Attorney, Agent, or Firm*—Richard J. Veltman; John D. DelPonti

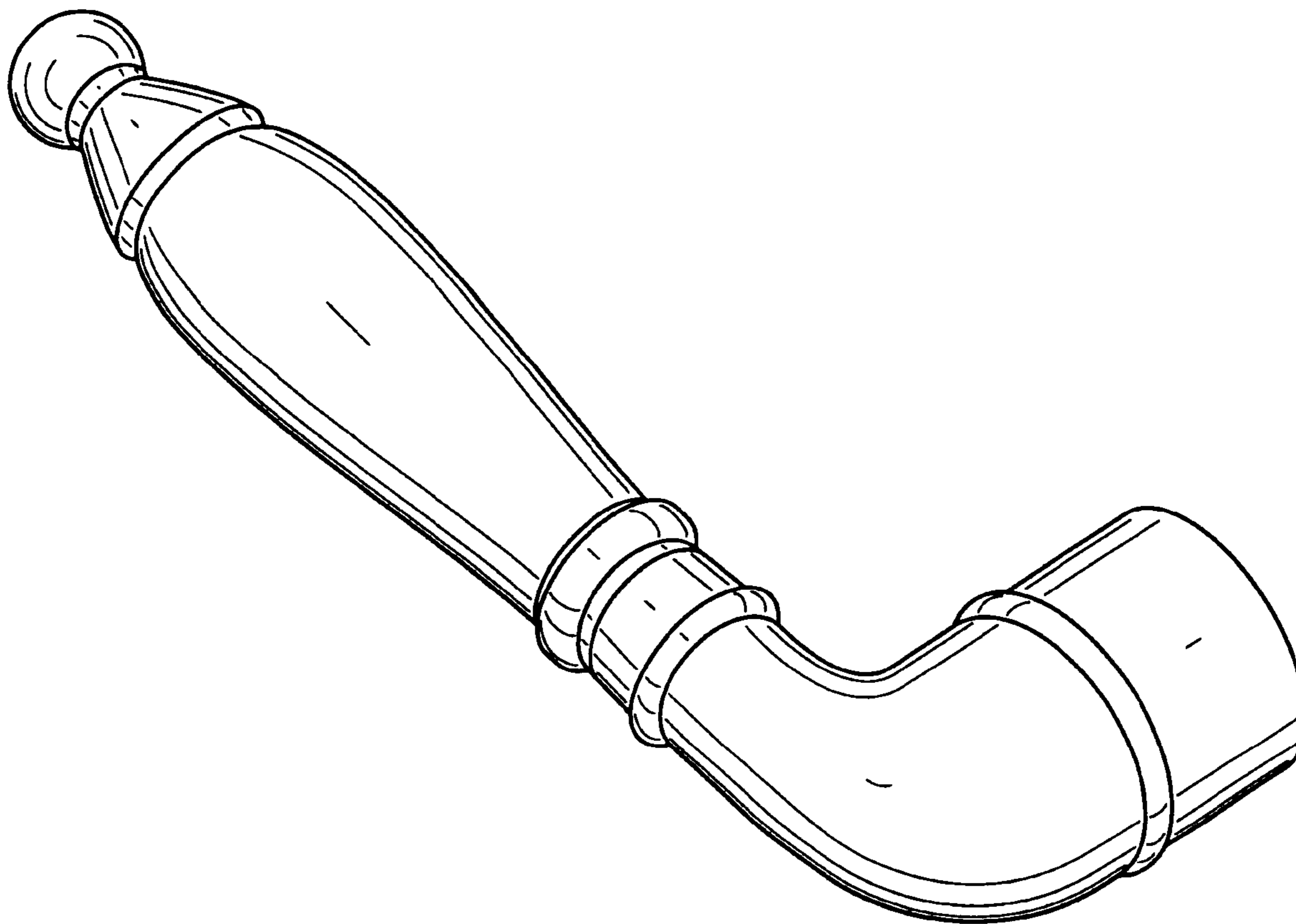
(57) **CLAIM**

The ornamental design for a lever, as shown and described.

DESCRIPTION

FIG. 1 is a perspective view of the new design for a lever;
FIG. 2 is a front view of the new design for a lever;
FIG. 3 is a back view of the new design for a lever;
FIG. 4 is a top view of the new design for a lever, the bottom
view being the mirror image;
FIG. 5 is a right side view of the new design for a lever; and,
FIG. 6 is a left side view of the new design for a lever.
The broken lines in the Figures are for illustrative purposes
only and form no part of the claimed design.

1 Claim, 4 Drawing Sheets



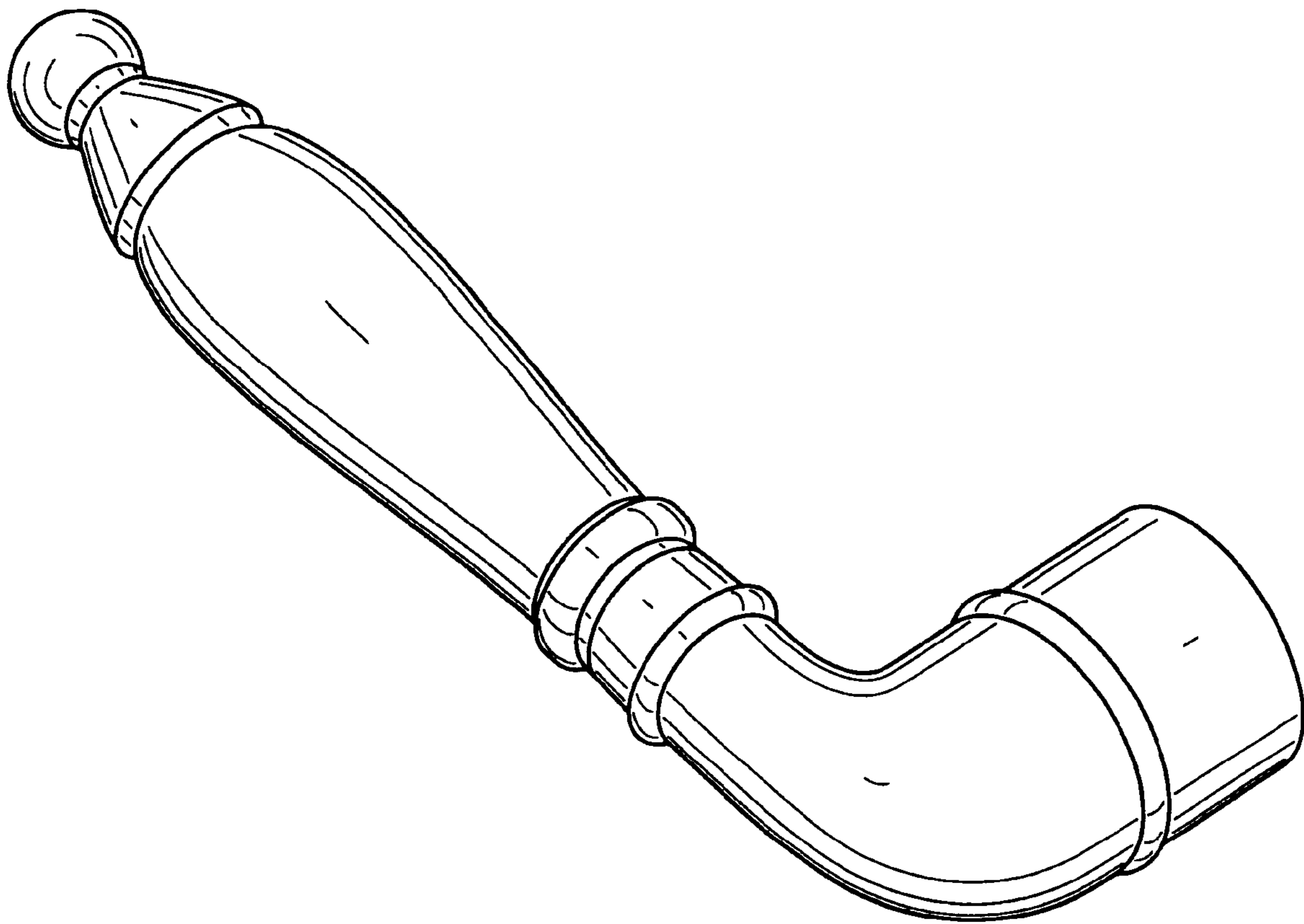


FIG. 1

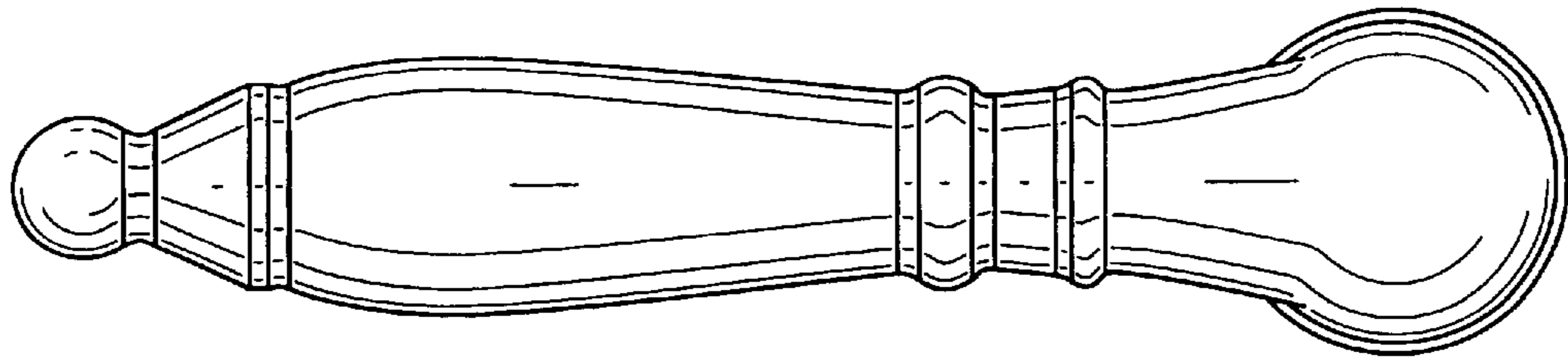


FIG. 2

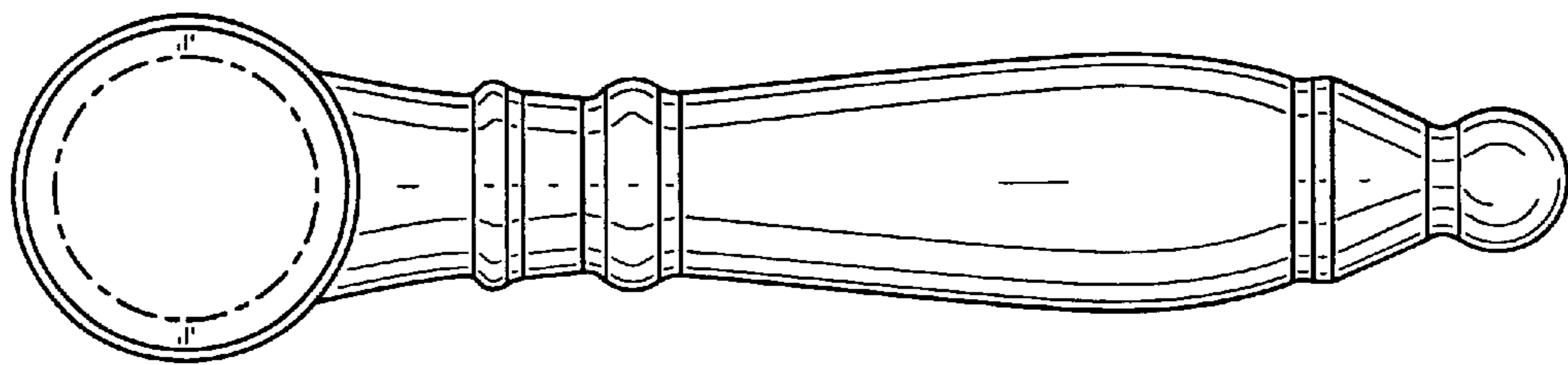


FIG. 3

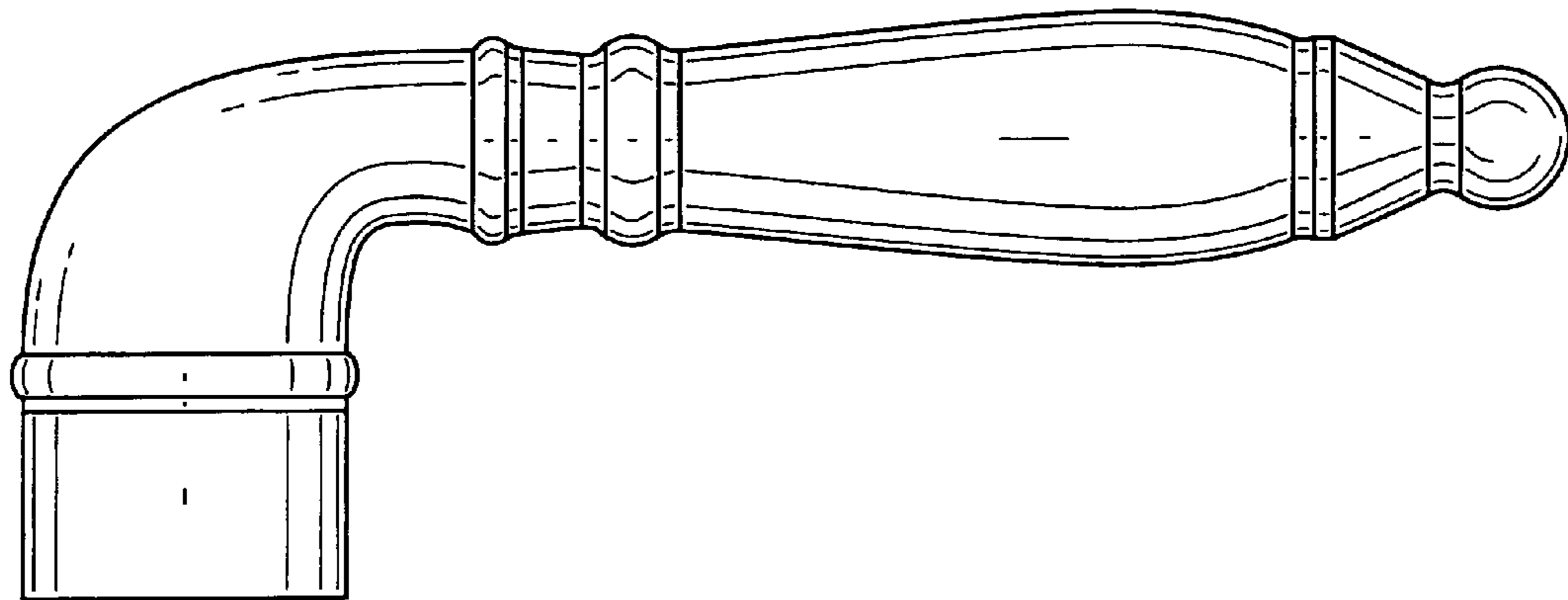


FIG. 4

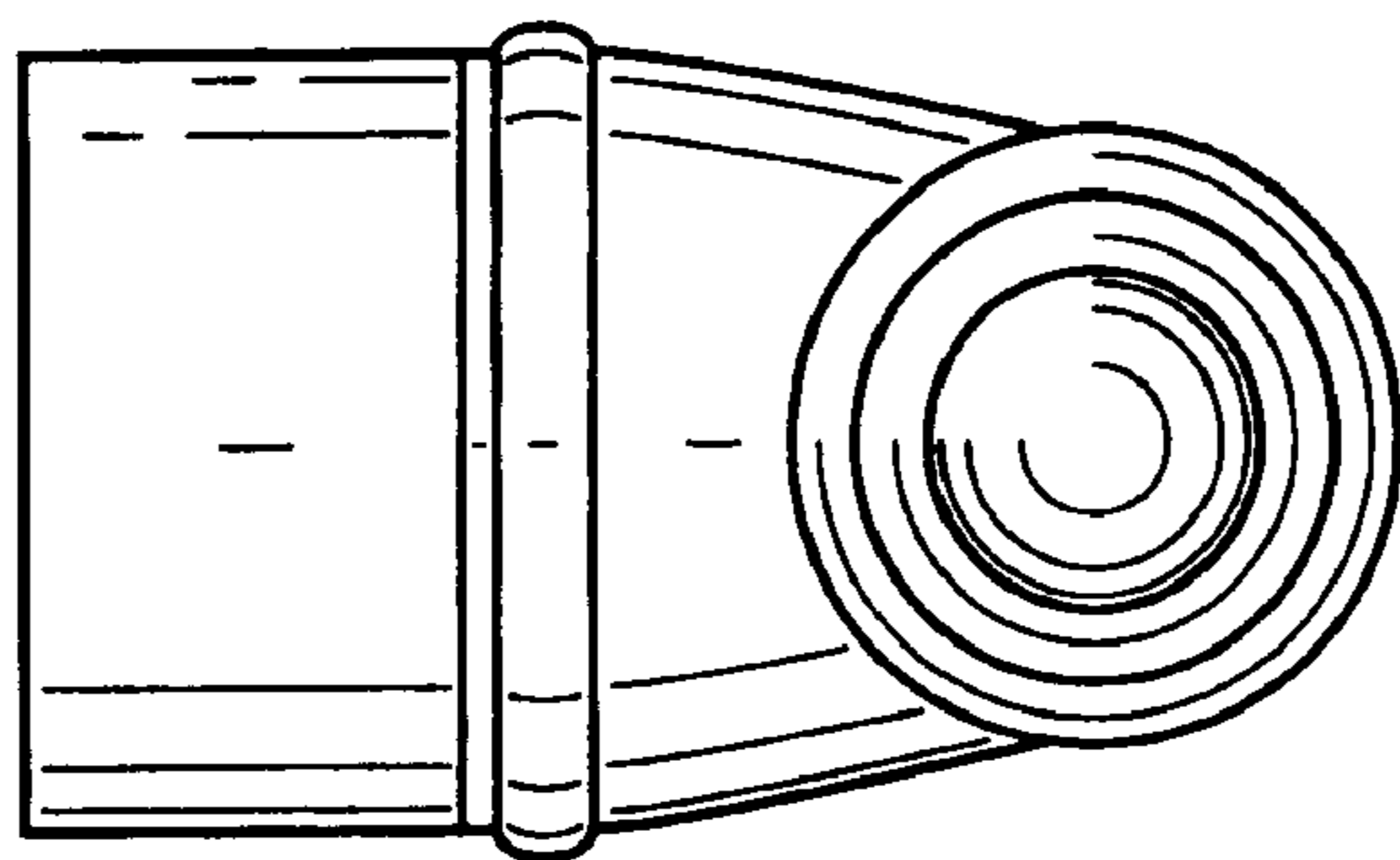


FIG. 5

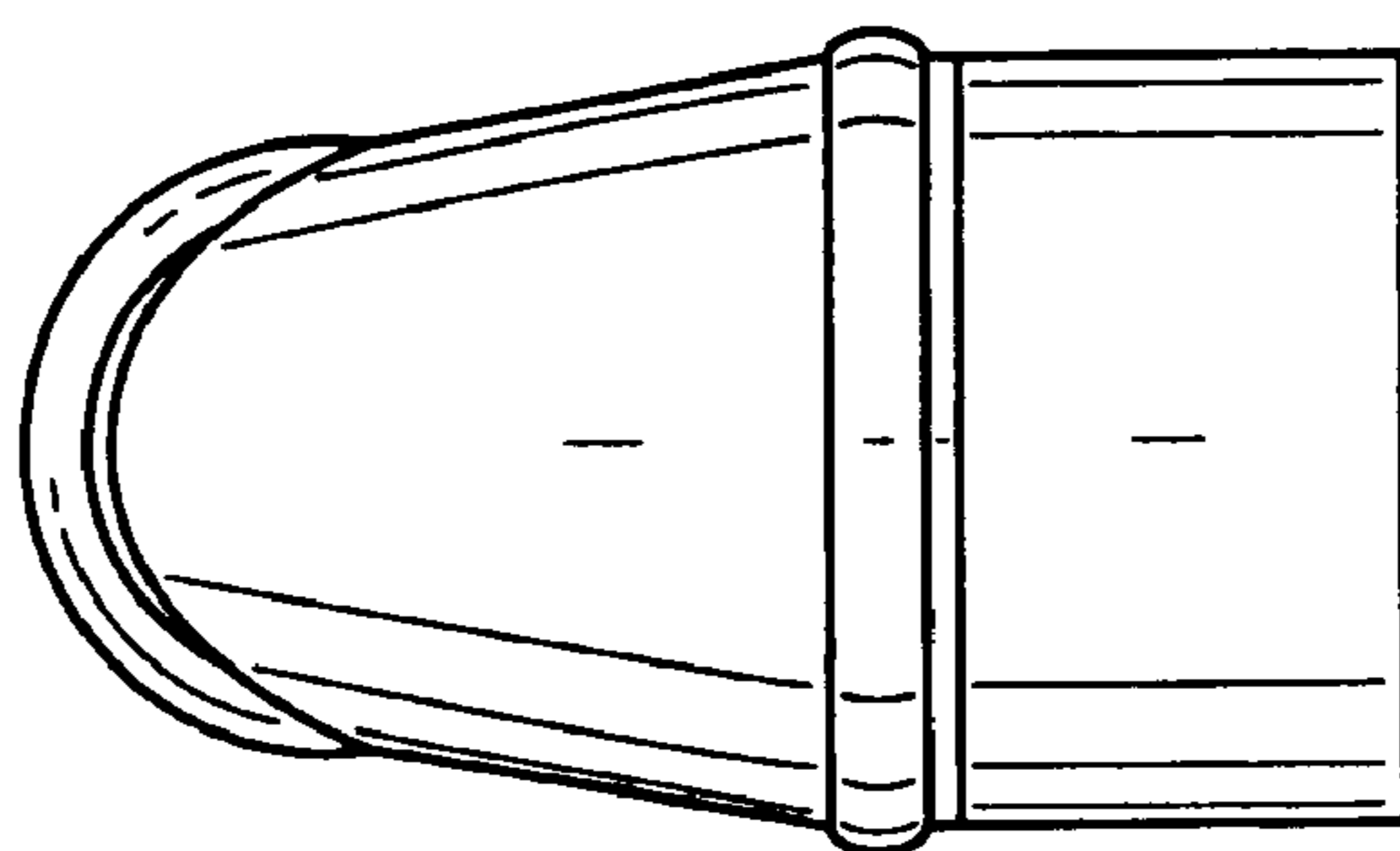


FIG. 6