



US00D524629S

(12) **United States Design Patent**  
**Wu**

(10) **Patent No.:** **US D524,629 S**  
(45) **Date of Patent:** **\*\* Jul. 11, 2006**

(54) **TOOL**

(76) Inventor: **Yuewei Wu**, No. 23, South Road,  
Xidian Town, Ninghai, Zhejiang 315613  
(CN)

(\*\*) Term: **14 Years**

(21) Appl. No.: **29/213,420**

(22) Filed: **Sep. 17, 2004**

(30) **Foreign Application Priority Data**

Mar. 17, 2004 (CN) ..... 2004300211279

(51) **LOC (8) Cl.** ..... **08-03**

(52) **U.S. Cl.** ..... **D8/99; D8/87**

(58) **Field of Classification Search** ..... D8/98,  
D8/99, 107, 87; 30/162, 320, 329, 335, 337  
See application file for complete search history.

(56) **References Cited**

**U.S. PATENT DOCUMENTS**

5,604,984	A	*	2/1997	Shepherd et al.	.....	30/125
5,727,320	A	*	3/1998	Shepherd et al.	.....	30/125
5,960,545	A	*	10/1999	Shepherd et al.	.....	30/125
D445,662	S	*	7/2001	Huang	.....	D8/99
D449,771	S	*	10/2001	Douglas et al.	.....	D8/107
D484,021	S	*	12/2003	Mariol	.....	D8/99

\* cited by examiner

*Primary Examiner*—Philip S. Hyder

(74) *Attorney, Agent, or Firm*—Foley & Lardner LLP

(57) **CLAIM**

The ornamental design for a tool, as shown and described.

**DESCRIPTION**

FIG. 1 is a perspective view of an embodiment of a tool according to my new design;

FIG. 2 is another perspective view of the tool shown in FIG. 1;

FIG. 3 is a front elevational view of the tool shown in FIG. 1;

FIG. 4 is a rear elevational view of the tool shown in FIG. 1;

FIG. 5 is a top plan view of the tool shown in FIG. 1;

FIG. 6 is a bottom plan view of the tool shown in FIG. 1;

FIG. 7 is left side elevational view of the tool shown in FIG. 1;

FIG. 8 is a right side elevational view of the tool shown in FIG. 1;

FIG. 9 is a front elevation view of the tool, wherein the broken line showing of the blade is for illustrative purposes only and forms no part of the claimed design; and,

FIG. 10 is a front elevation view of the tool with the butt portion removed, wherein the broken line showing of the rotary device is for illustrative purposes only and forms no part of the claimed design.

**1 Claim, 4 Drawing Sheets**

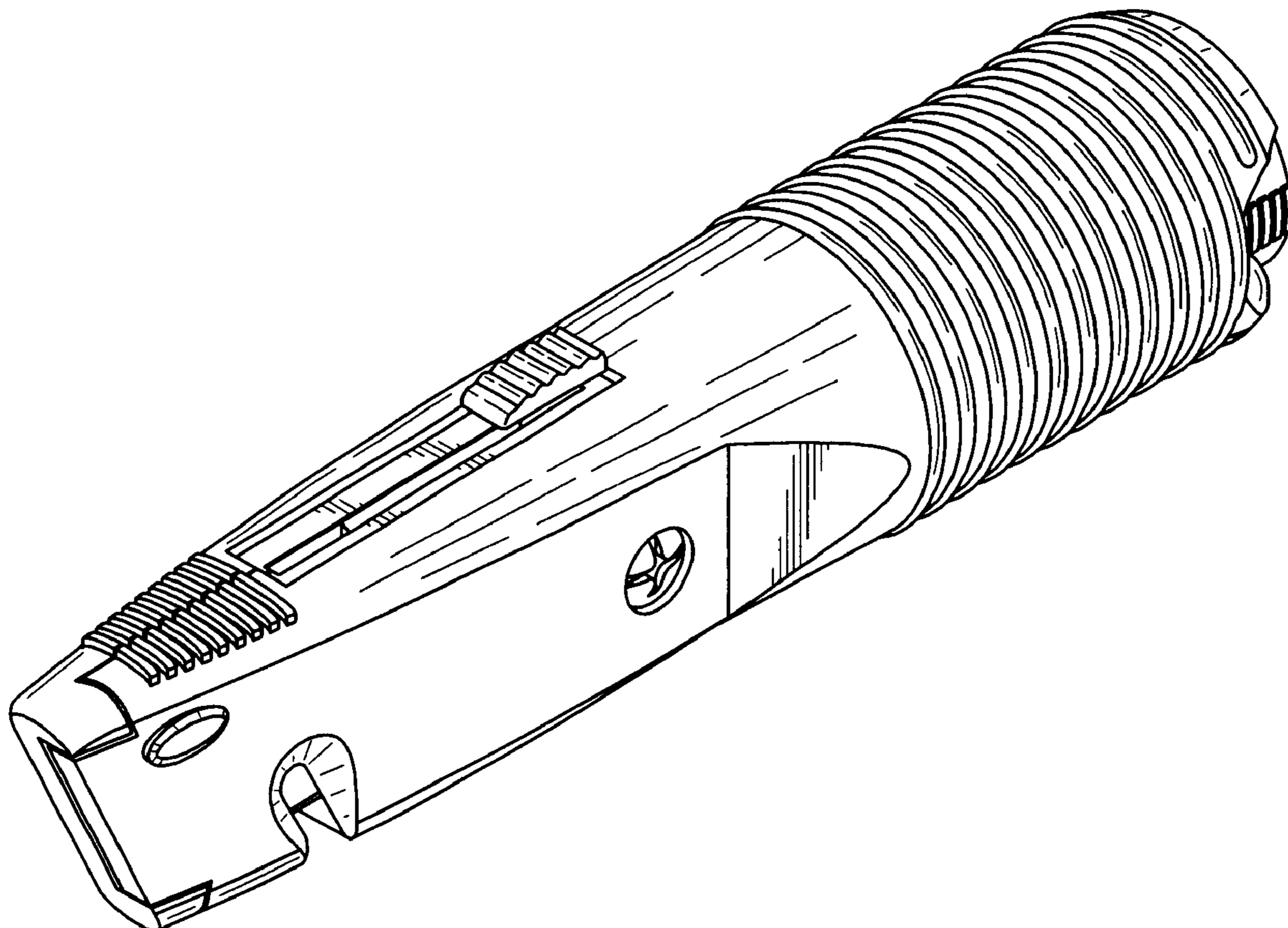


Fig. 1

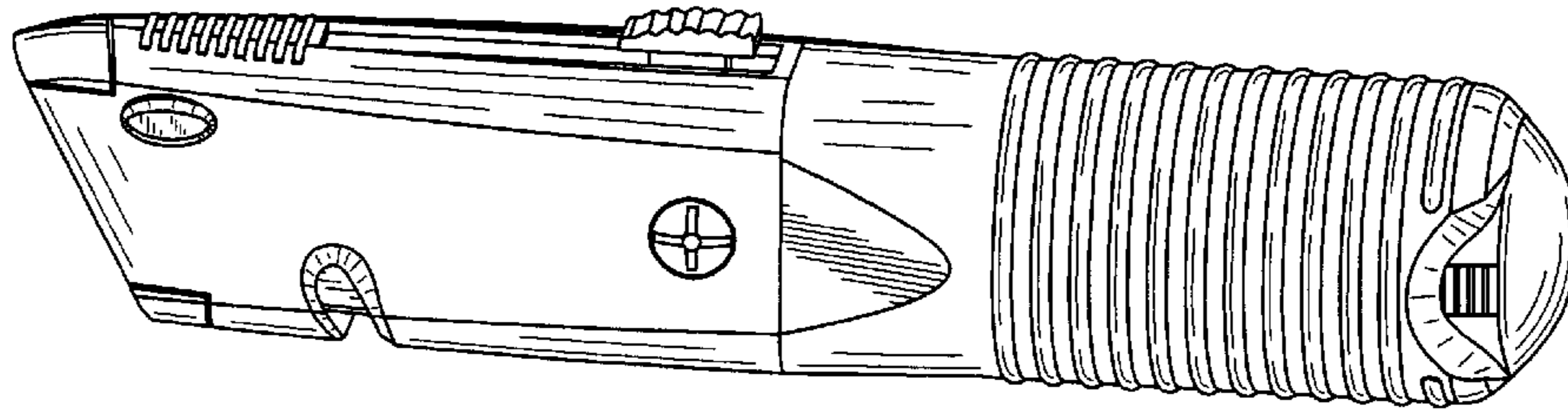


Fig. 2

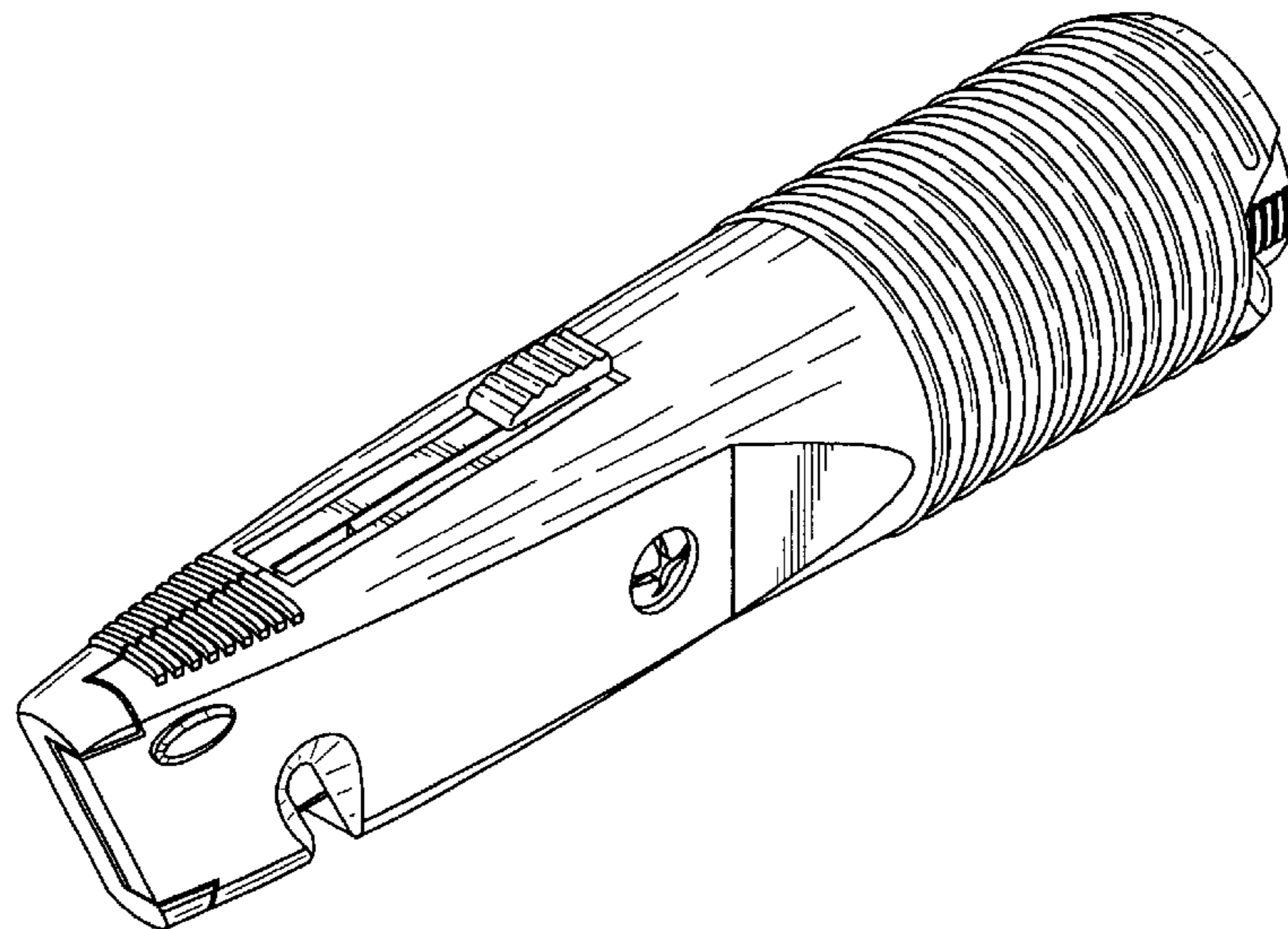


Fig. 3

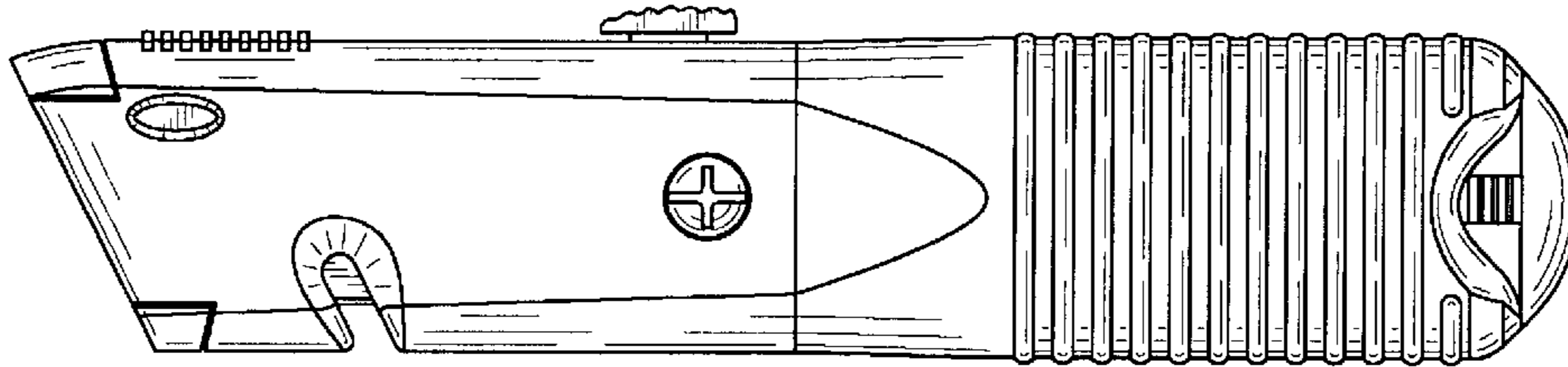


Fig. 4

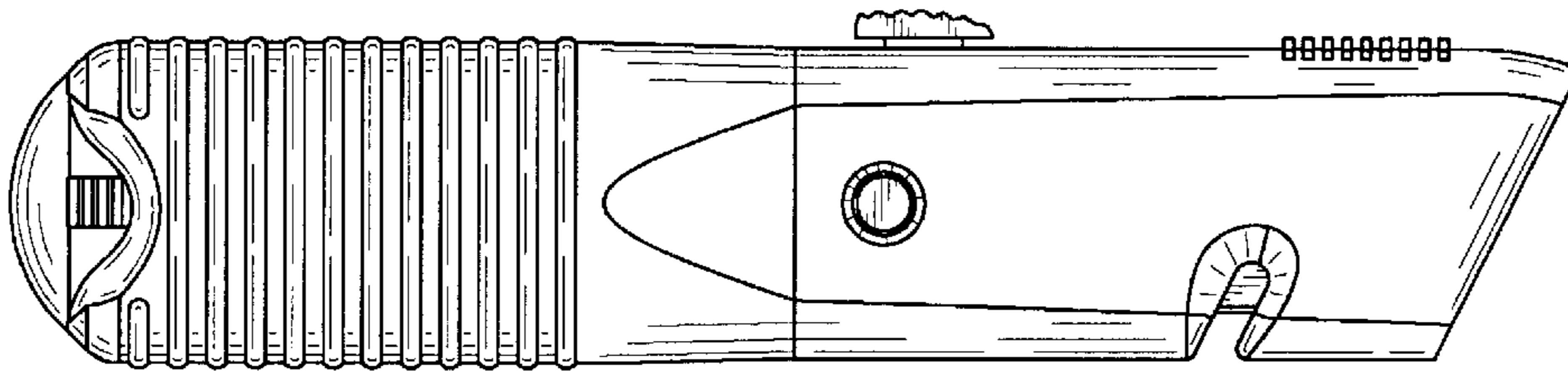


Fig. 5

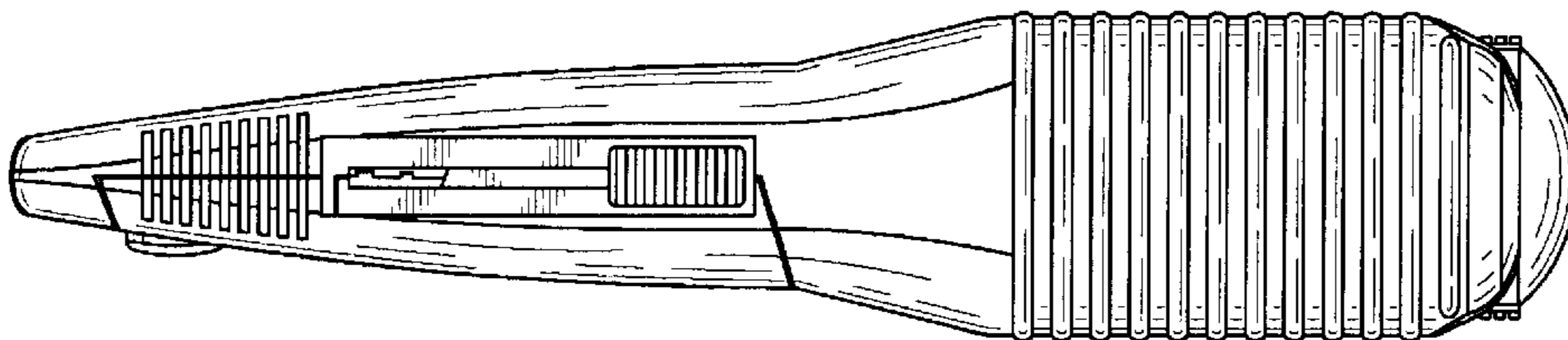


Fig. 6

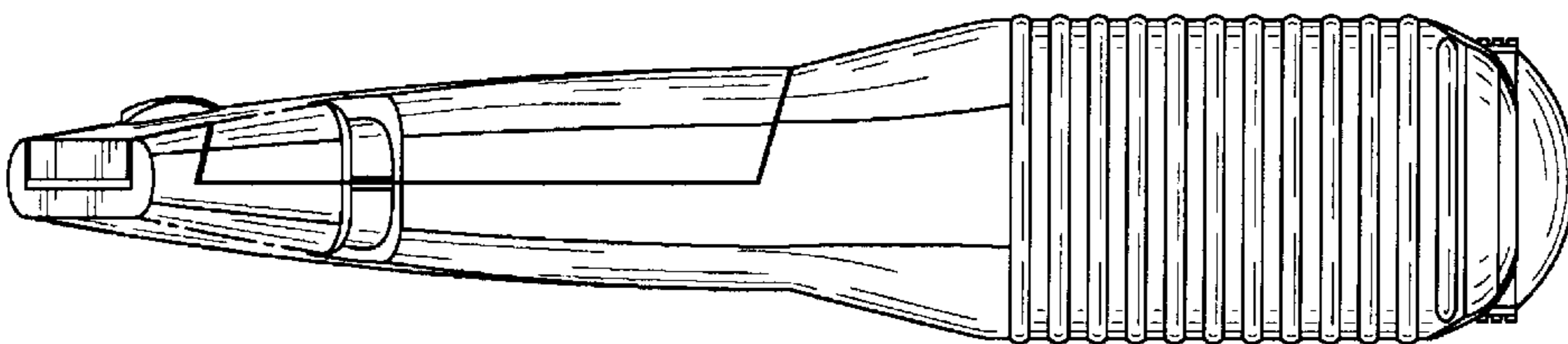


Fig. 7

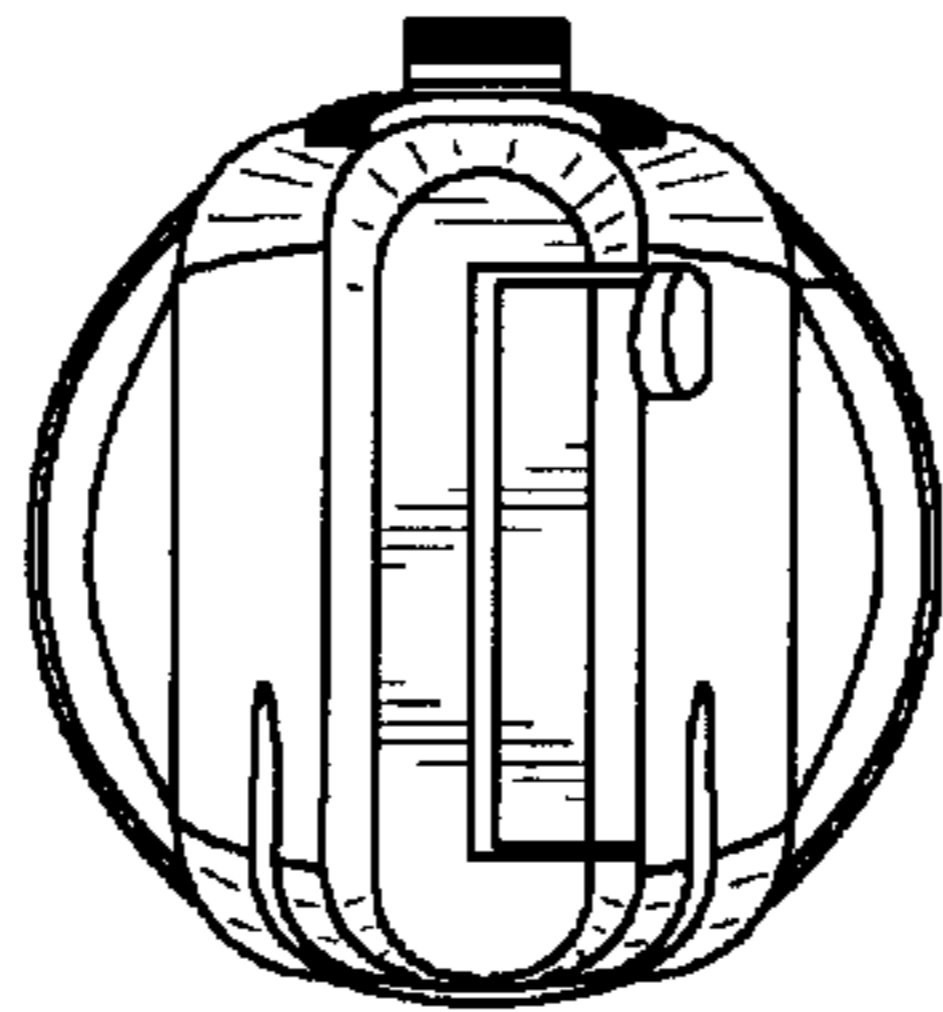


Fig. 8

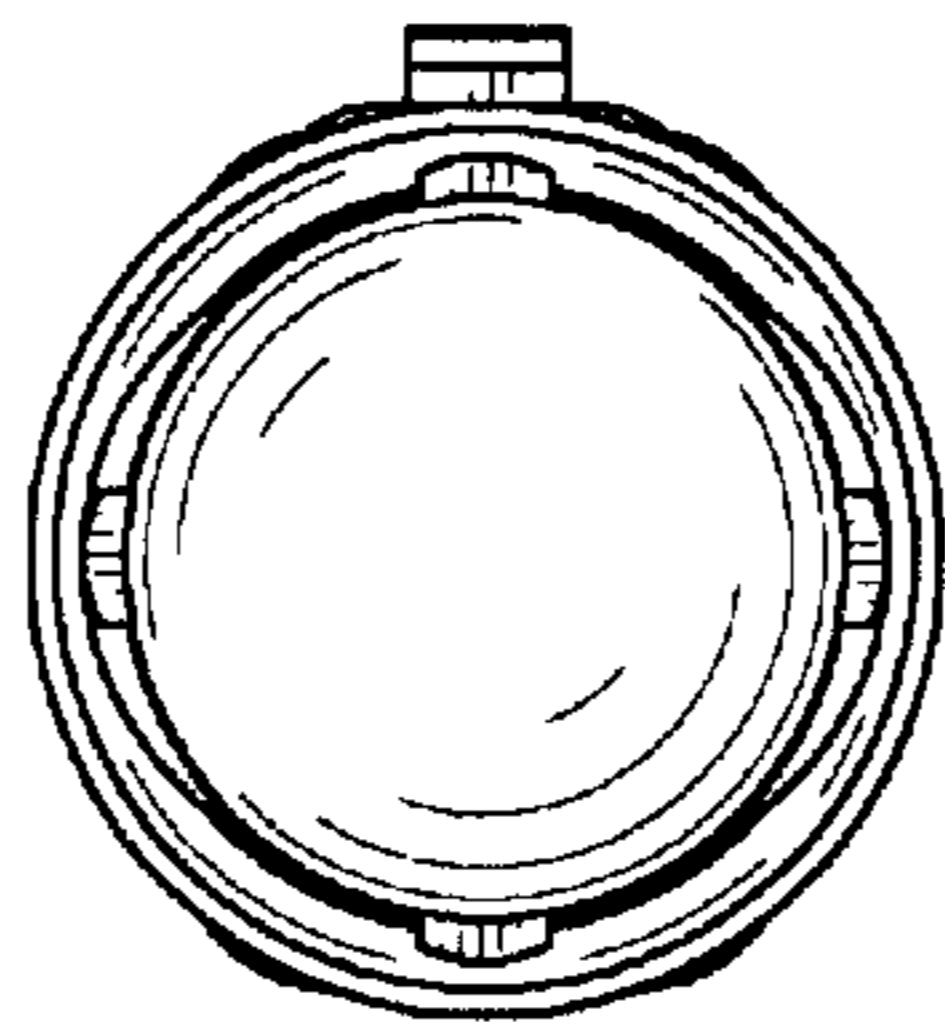


Fig. 9

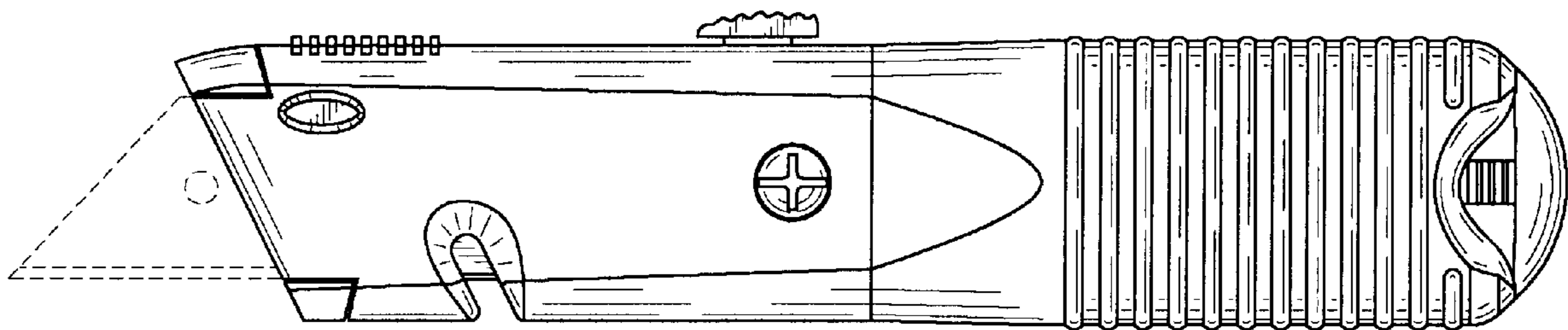




Fig. 10

