



US00D524625S

(12) **United States Design Patent**
Wu

(10) **Patent No.:** **US D524,625 S**
(45) **Date of Patent:** **** Jul. 11, 2006**

(54) **ELECTRIC DRIVER**
(75) Inventor: **Chien-Chun Wu**, Taichung County (TW)
(73) Assignee: **Mobiletron Electronics Co., Ltd.**, Taichung Hsien (TW)
(**) Term: **14 Years**

D475,909 S * 6/2003 Waldron D8/68
D485,737 S * 1/2004 Schaub et al. D8/68
D486,713 S * 2/2004 Lai D8/68
D502,854 S * 3/2005 Ng D8/68
D508,835 S * 8/2005 Schiller et al. D8/68
D513,160 S * 12/2005 DeBoer et al. D8/68
2004/0188119 A1 * 9/2004 Chen 173/217
2004/0251040 A1 * 12/2004 Chu 173/217
2005/0194166 A1 * 9/2005 Chu 173/217

(21) Appl. No.: **29/241,924**
(22) Filed: **Nov. 3, 2005**

FOREIGN PATENT DOCUMENTS

GB 3000194 S * 12/2001

* cited by examiner

Primary Examiner—T. Chase Nelson
(74) *Attorney, Agent, or Firm*—Bacon & Thomas

(51) **LOC (8) Cl.** **08-04**
(52) **U.S. Cl.** **D8/68**
(58) **Field of Classification Search** D8/14.1,
D8/61, 62, 63, 64, 65, 66, 67, 68, 69, 70;
81/57.11, 429, 464, 465, 466, 469, 489; 173/13,
173/104, 114, 168, 169, 170, 171, 178, 201,
173/211, 213, 217; 408/20, 124, 125, 234,
408/241 R; 451/358; 310/50; 227/8, 114,
227/120, 130, 136, 142

(57) **CLAIM**

The ornamental design for an electric driver, as shown.

See application file for complete search history.

DESCRIPTION

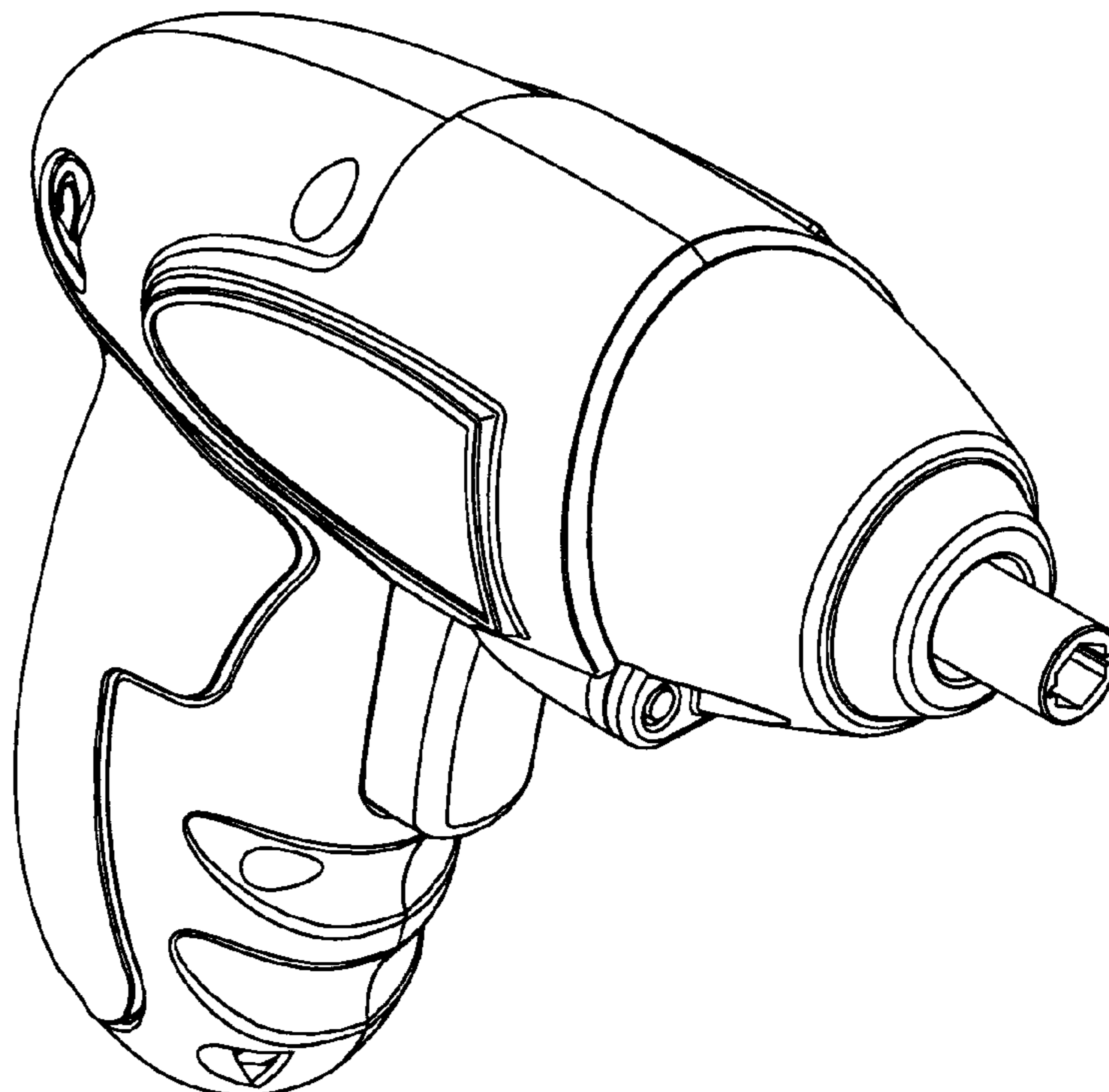
FIG. 1 shows a perspective view of the present design.
FIG. 2 shows a right side elevational view of the present design.
FIG. 3 shows a top plan view of the present design.
FIG. 4 shows a front elevational view of the present design.
FIG. 5 shows a bottom plan view of the present design.
FIG. 6 shows a left side elevational view of the present design; and,
FIG. 7 shows a rear elevational view of the present design.

(56) **References Cited**

U.S. PATENT DOCUMENTS

D154,713 S * 8/1949 Robillard D8/68
4,448,098 A * 5/1984 Totsu 81/57.11
D436,819 S * 1/2001 Liu D8/68
D459,178 S * 6/2002 Heun D8/68
D462,593 S * 9/2002 Nottingham et al. D8/68
D468,610 S * 1/2003 Chien D8/68

1 Claim, 5 Drawing Sheets



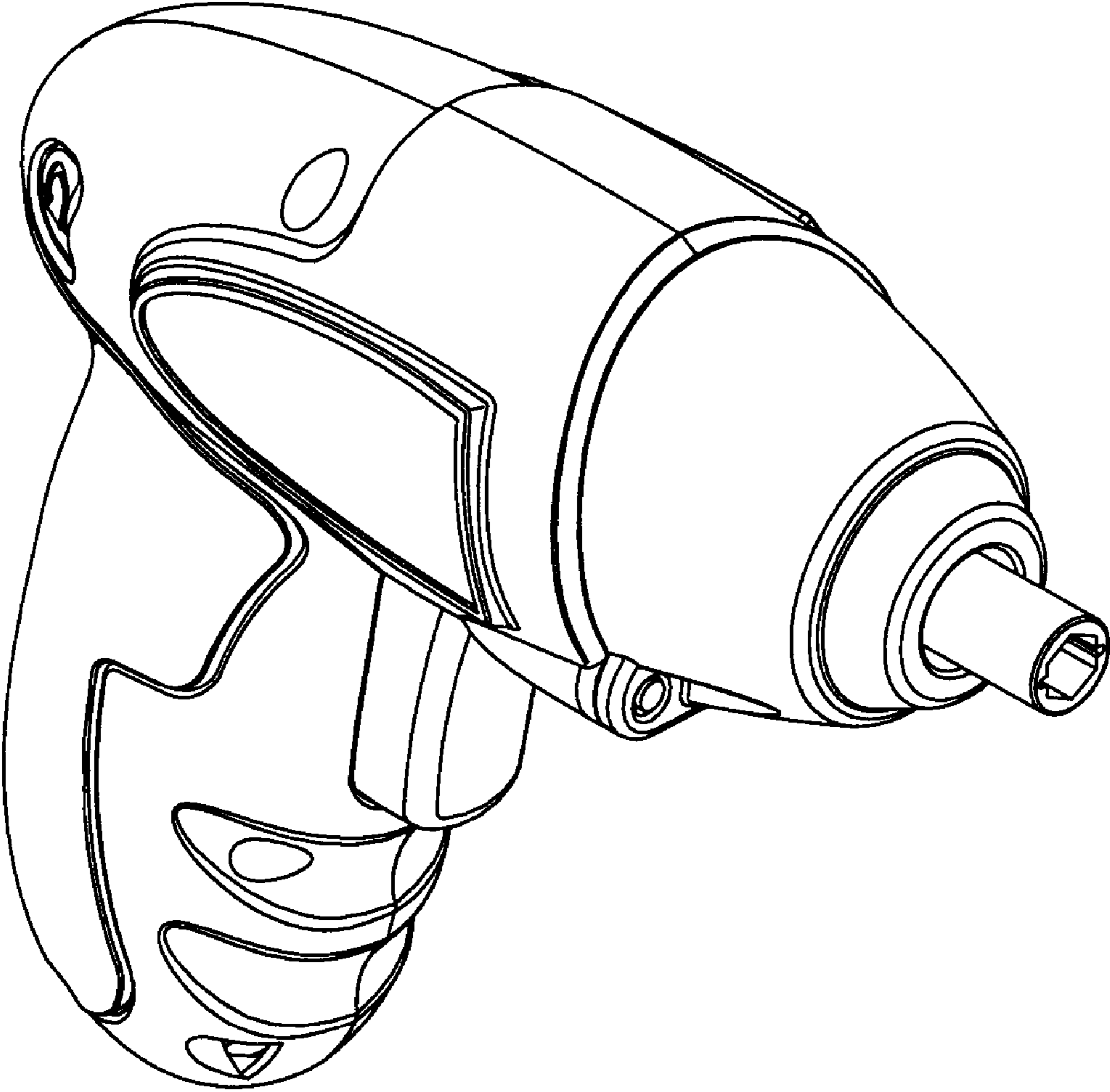


FIG. 1

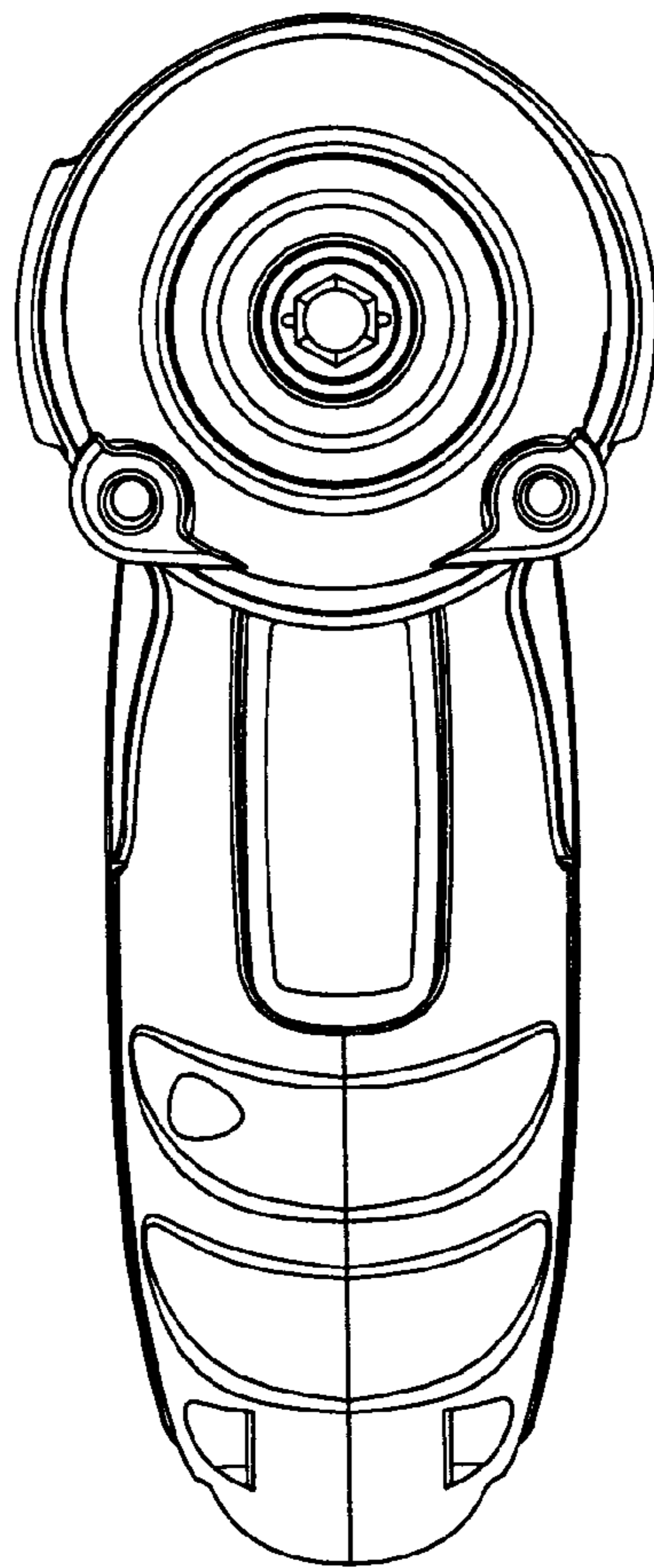


FIG. 2

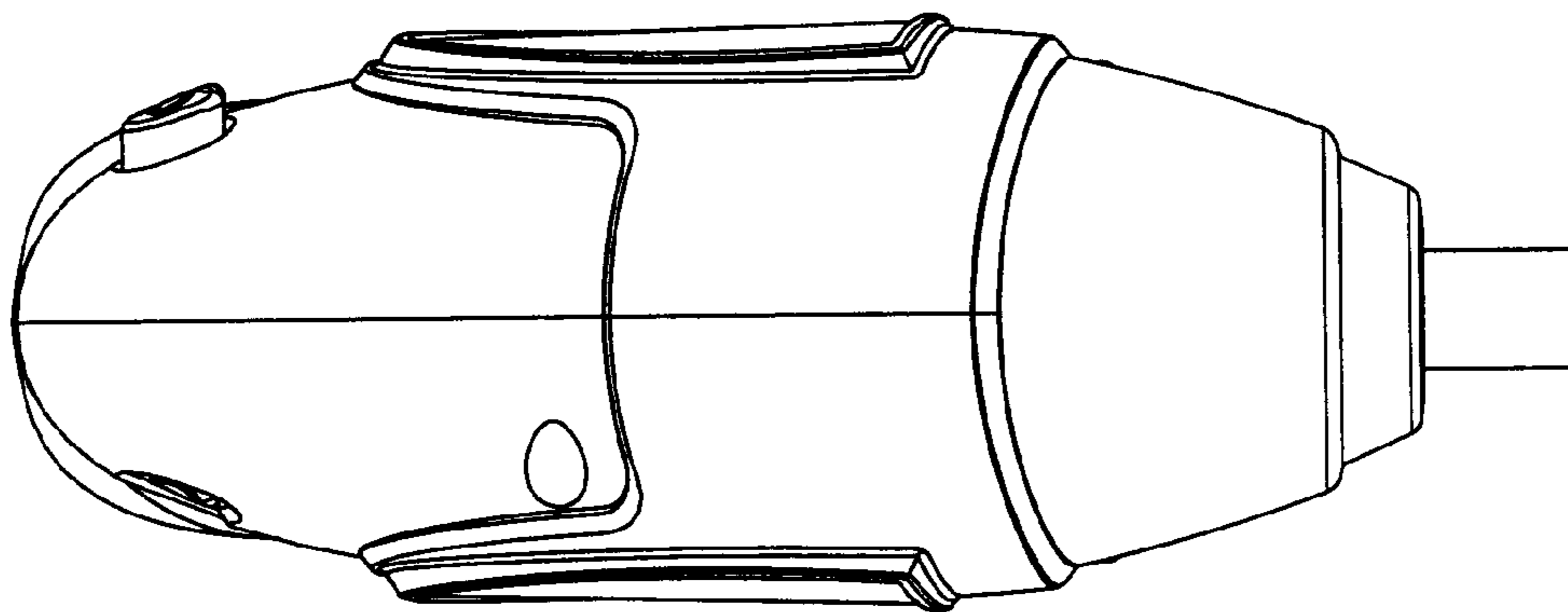


FIG. 3

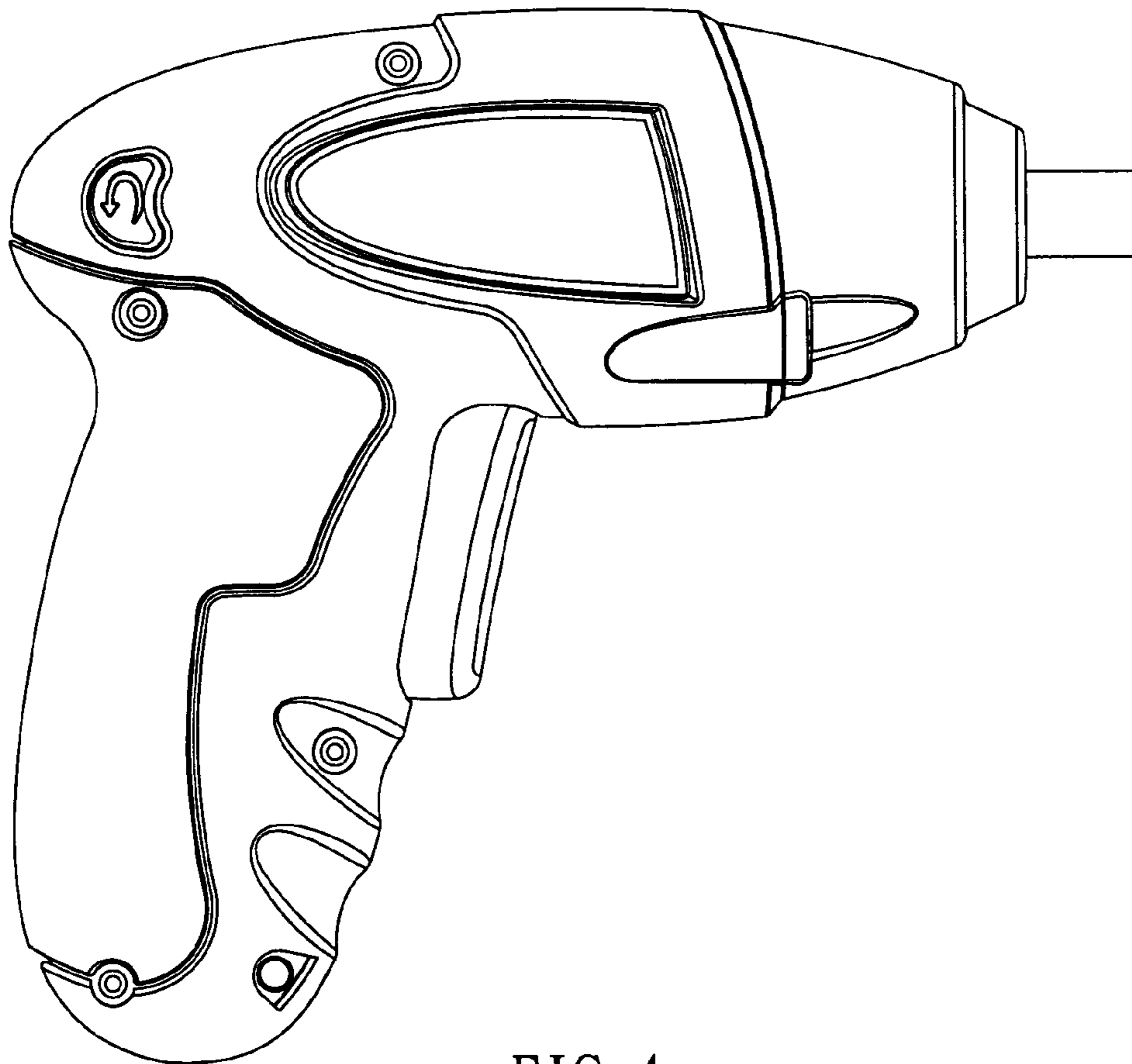


FIG. 4

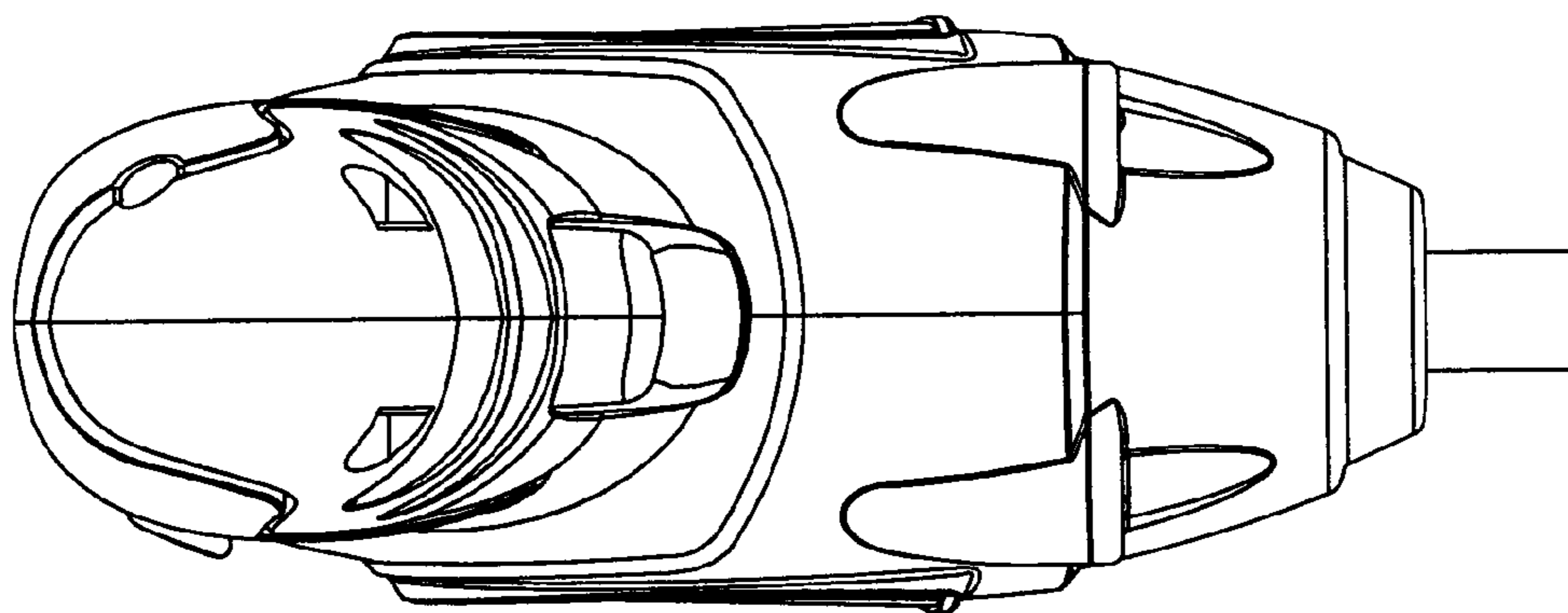


FIG. 5

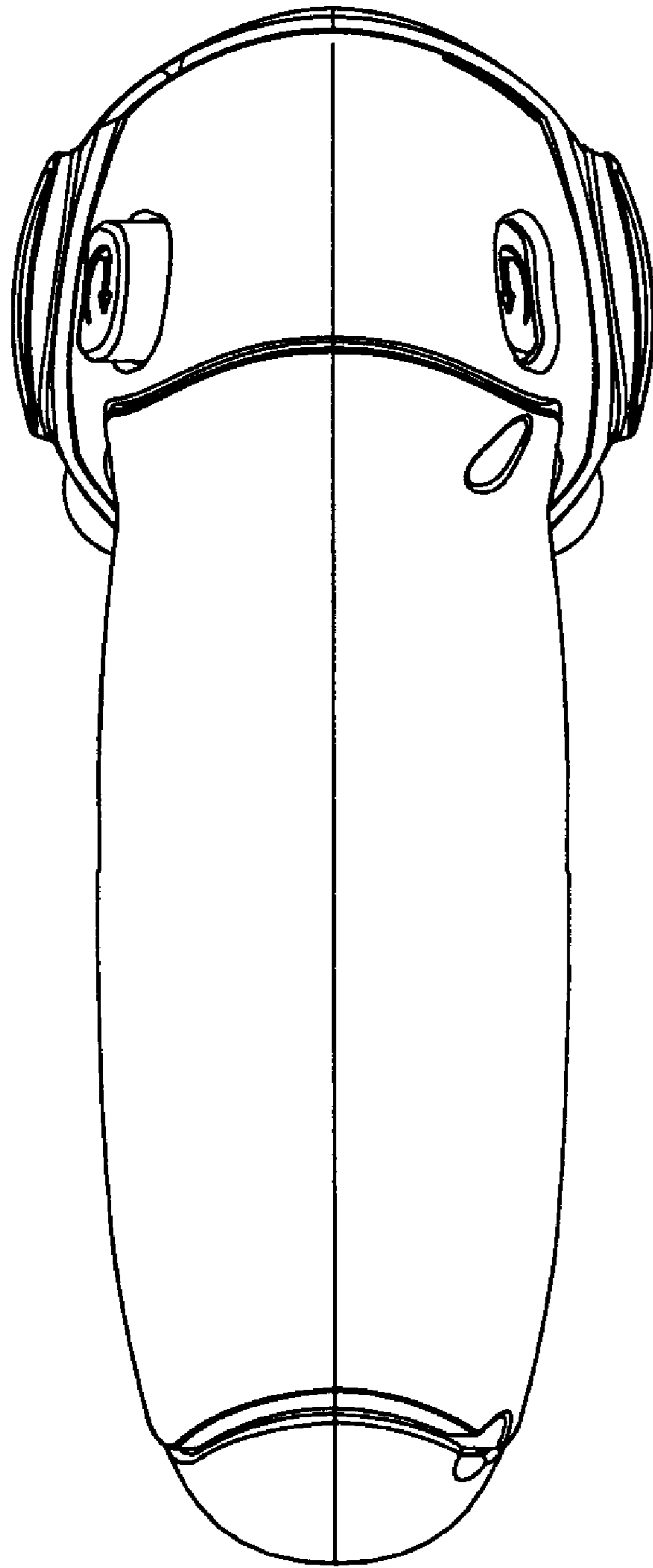


FIG. 6

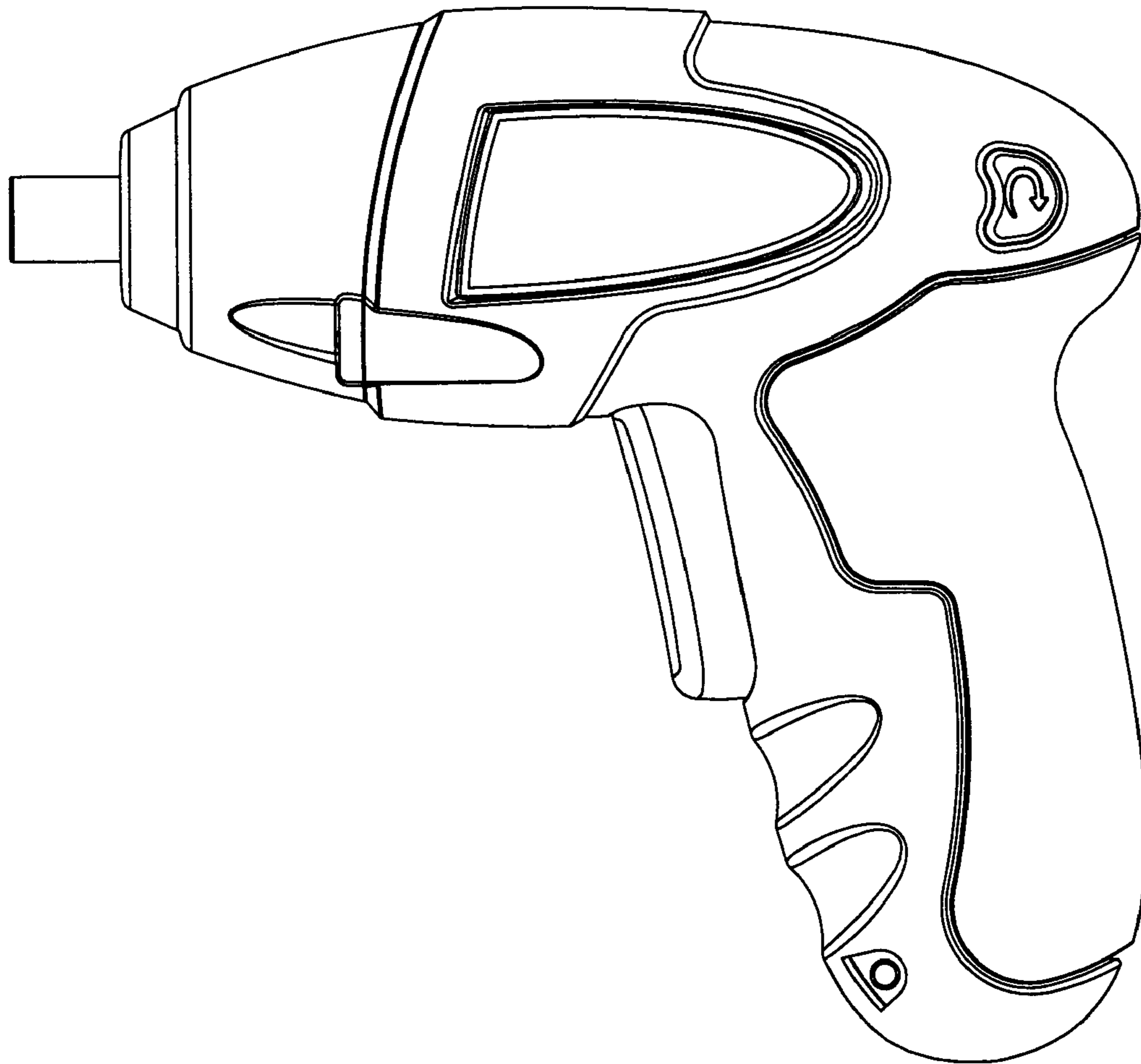


FIG. 7