

US00D524624S

(12) **United States Design Patent** (10) **Patent No.:** **US D524,624 S**
Ki (45) **Date of Patent:** **** Jul. 11, 2006**

(54) **DRILL**

(75) Inventor: **Mok Sze Ki, Sai Ying Pun (HK)**

(73) Assignee: **Eastway Fair Company Limited, Tortola (VG)**

(**) Term: **14 Years**

(21) Appl. No.: **29/236,476**

(22) Filed: **Aug. 16, 2005**

(51) **LOC (8) Cl.** **08-01**

(52) **U.S. Cl.** **D8/68**

(58) **Field of Classification Search** D8/14.1, D8/61, 62, 63, 64, 65, 66, 67, 68, 69, 70; 81/57.11, 429, 464, 465, 466, 469, 489; 173/13, 173/169, 178, 213, 217, 114, 201, 211; 227/8, 227/114, 120, 130, 136, 142; 408/20, 124, 408/125, 234, 241 R; 451/358; 310/50
 See application file for complete search history.

D468,615 S 1/2003 Kanzawa
 D471,781 S 3/2003 Heun
 D487,219 S * 3/2004 Chudy et al. D8/68
 D490,677 S 6/2004 Chung et al.
 D491,438 S 6/2004 Cheung et al.
 D494,034 S * 8/2004 Cheung D8/68
 D501,385 S * 2/2005 Cheung et al. D8/68
 D508,837 S * 8/2005 Andriolo D8/68

* cited by examiner

Primary Examiner—Janice E. Seeger
Assistant Examiner—T. Chase Nelson
 (74) *Attorney, Agent, or Firm*—Brinks Hofer Gilson & Lione

(57) **CLAIM**

I claim the ornamental design for a drill, as shown and described.

DESCRIPTION

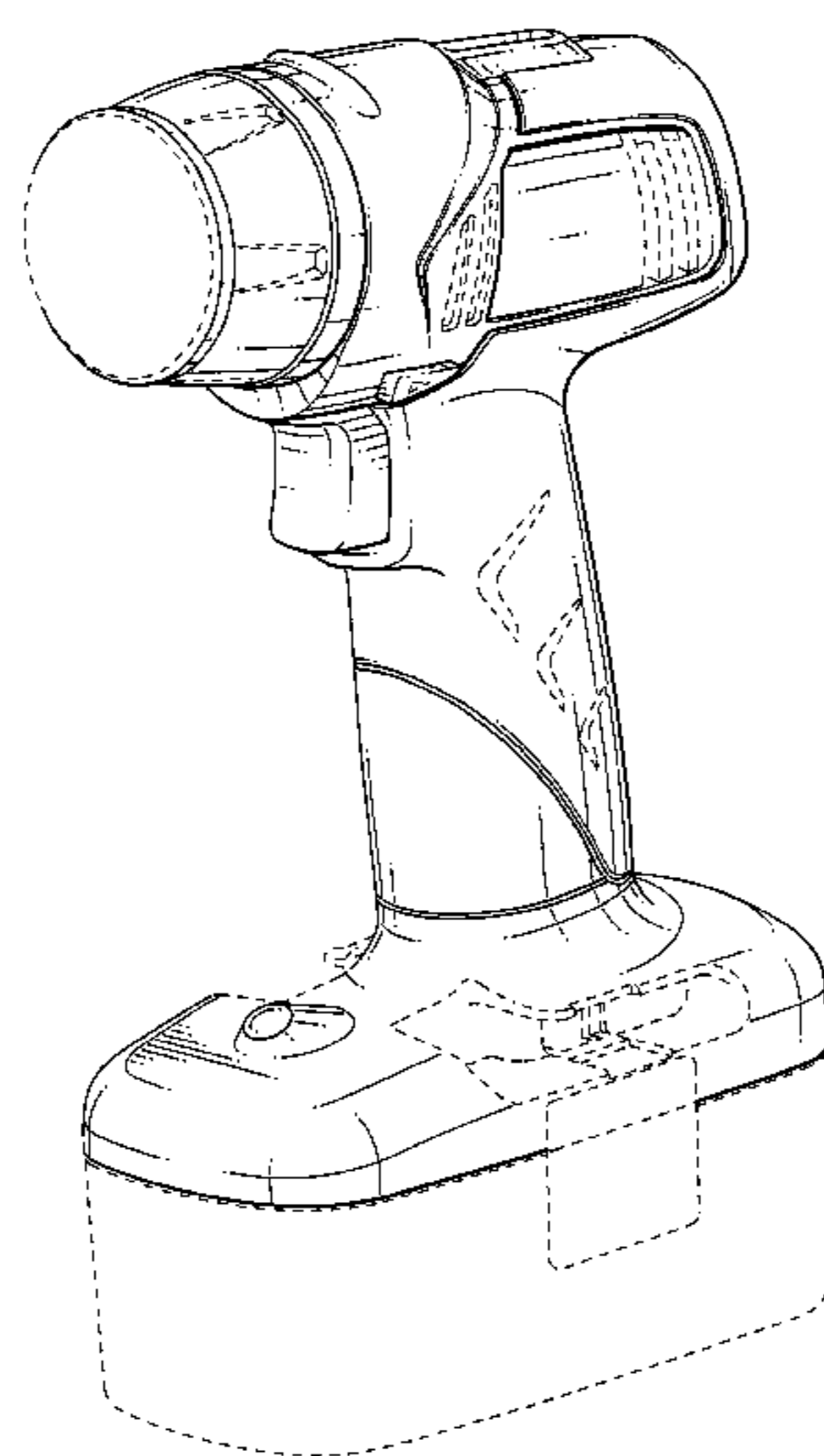
FIG. 1 is a top front perspective view of a first embodiment of a drill of the present invention;
 FIG. 2 is a first side view thereof;
 FIG. 3 is a second side view thereof;
 FIG. 4 is a front view thereof;
 FIG. 5 is a rear view thereof;
 FIG. 6 is a top view thereof;
 FIG. 7 is a bottom view thereof;
 FIG. 8 is a top front perspective view of a second embodiment of a drill of the present invention;
 FIG. 9 is a first side view thereof;
 FIG. 10 is a second side view thereof;
 FIG. 11 is a front view thereof;
 FIG. 12 is a rear view thereof;
 FIG. 13 is a top view thereof; and,
 FIG. 14 is a bottom view thereof.

The ornamental design which is claimed is shown in solid lines in the drawings. Any broken lines in the drawings are for illustrative purposes only and form no part of the claimed design.

1 Claim, 12 Drawing Sheets

(56) **References Cited**
 U.S. PATENT DOCUMENTS

D37,994 S	5/1906	Tower	
D294,001 S	2/1988	Greenlee et al.	
4,723,582 A	2/1988	Caspall	
4,951,846 A	8/1990	Oster et al.	
D326,400 S	5/1992	Fushiya et al.	
D326,598 S	* 6/1992	Sakamoto et al. D8/68
D328,411 S	* 8/1992	Cavedo D8/68
D377,894 S	2/1997	Sung	
D382,457 S	* 8/1997	Ghode et al. D8/68
D404,276 S	1/1999	Ghode et al.	
5,918,685 A	* 7/1999	Ulbrich et al. 173/217
D415,002 S	10/1999	Rogers et al.	
D419,413 S	* 1/2000	Heun D8/68
D437,759 S	* 2/2001	Breit et al. D8/68
D460,673 S	* 7/2002	Heun D8/68
D460,674 S	* 7/2002	Heun D8/68
D462,248 S	* 9/2002	Cooper D8/68
D462,592 S	* 9/2002	Cooper D8/68
D467,483 S	* 12/2002	Heun D8/68



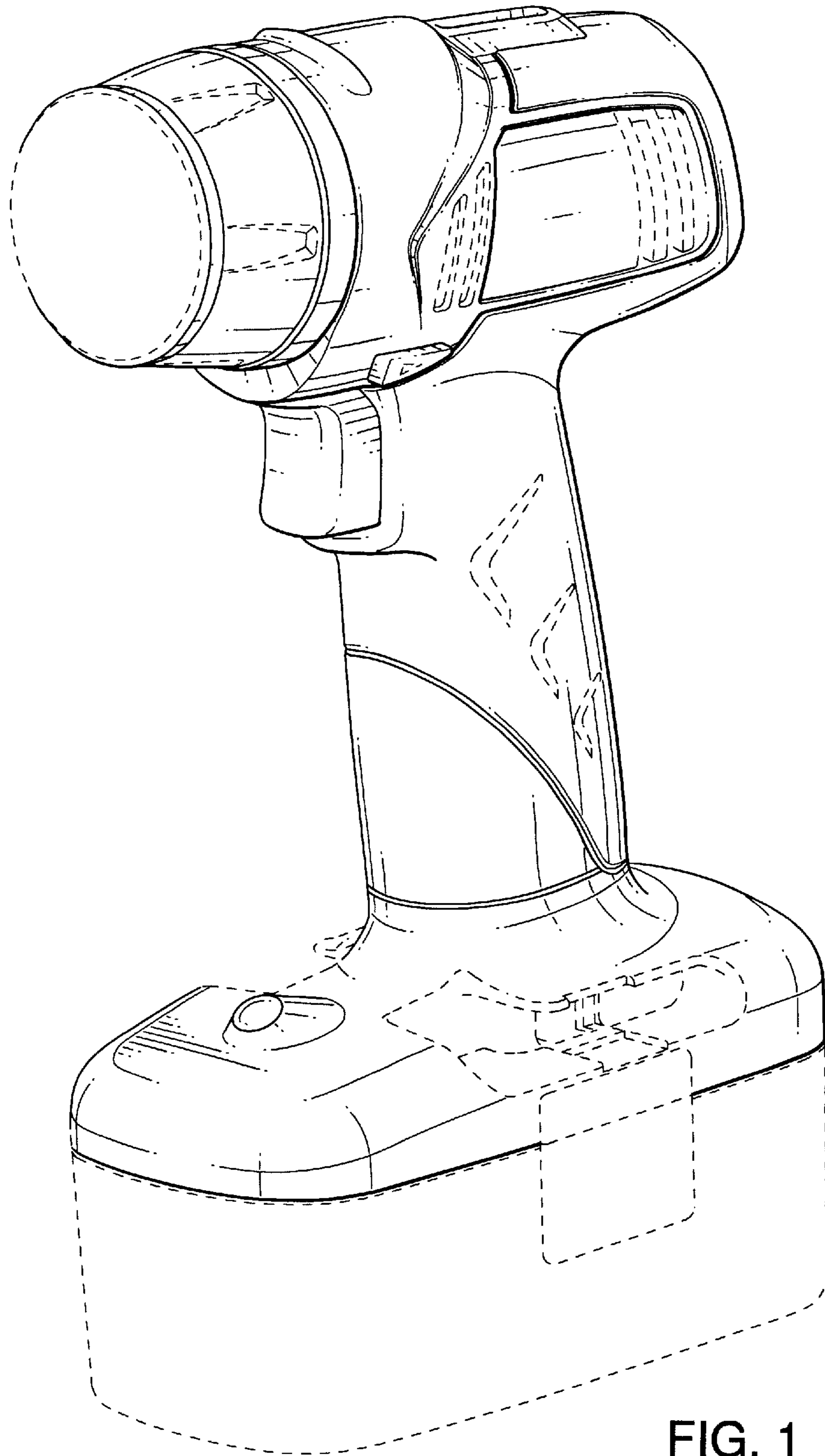


FIG. 1

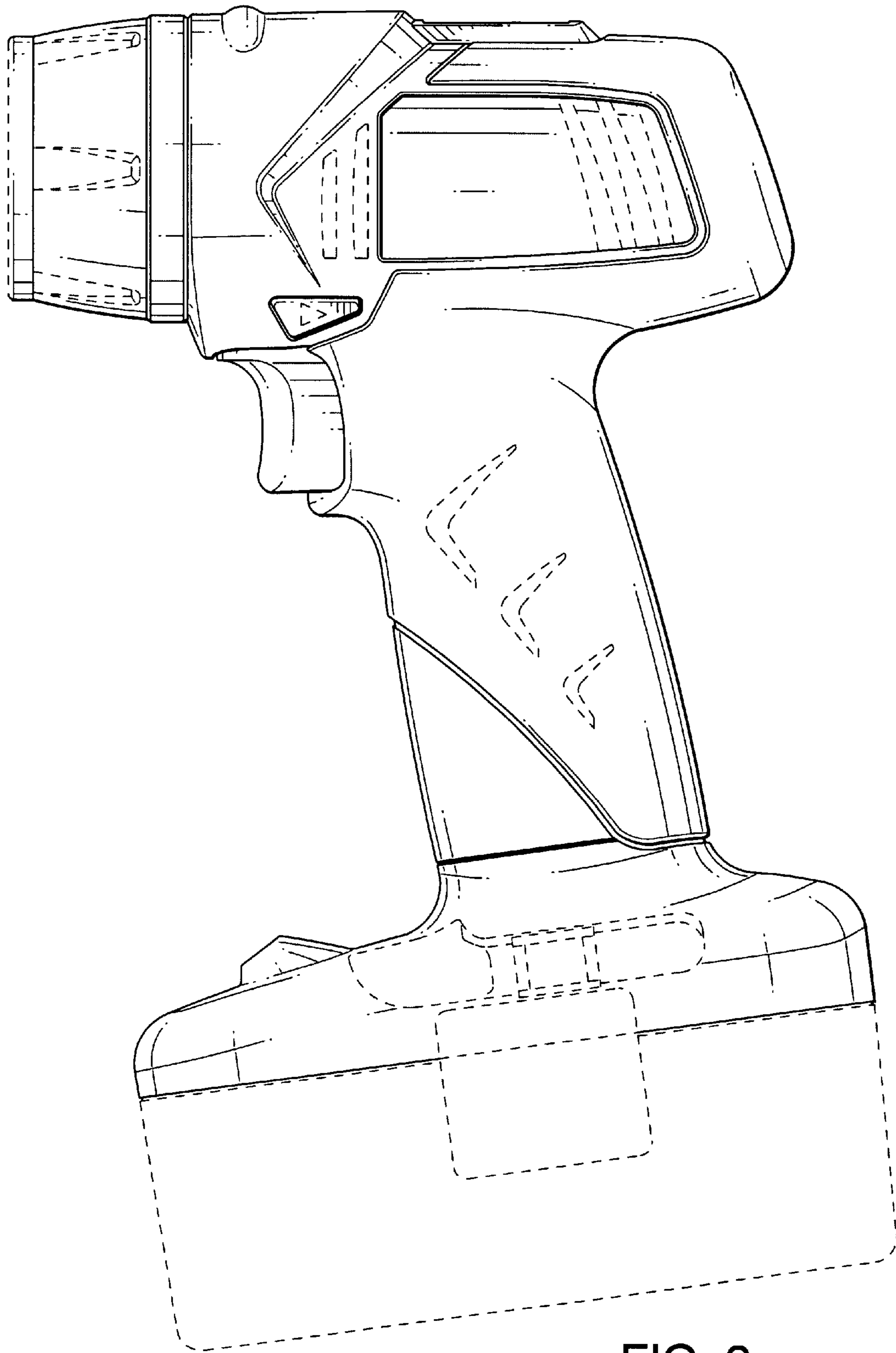


FIG. 2

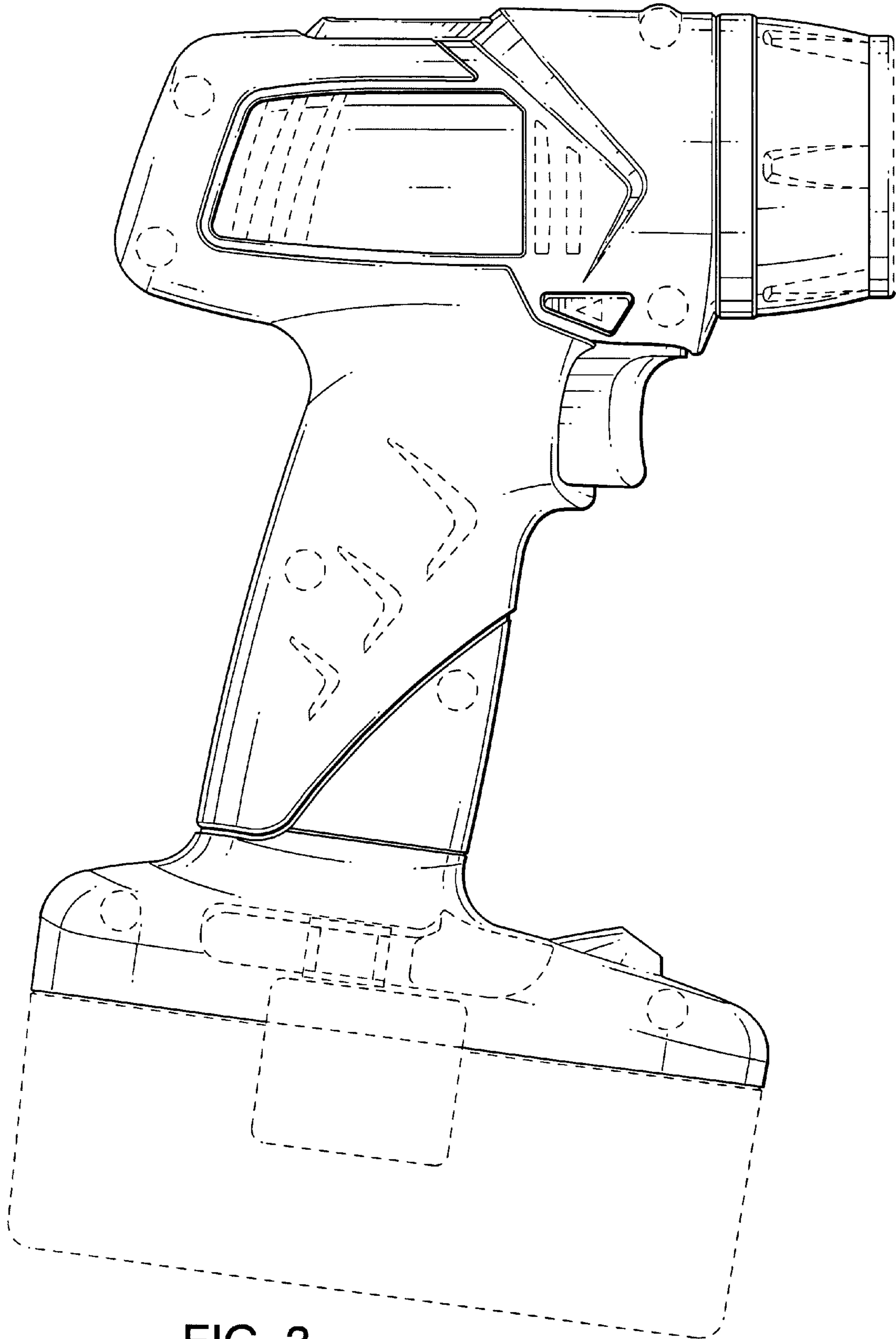


FIG. 3

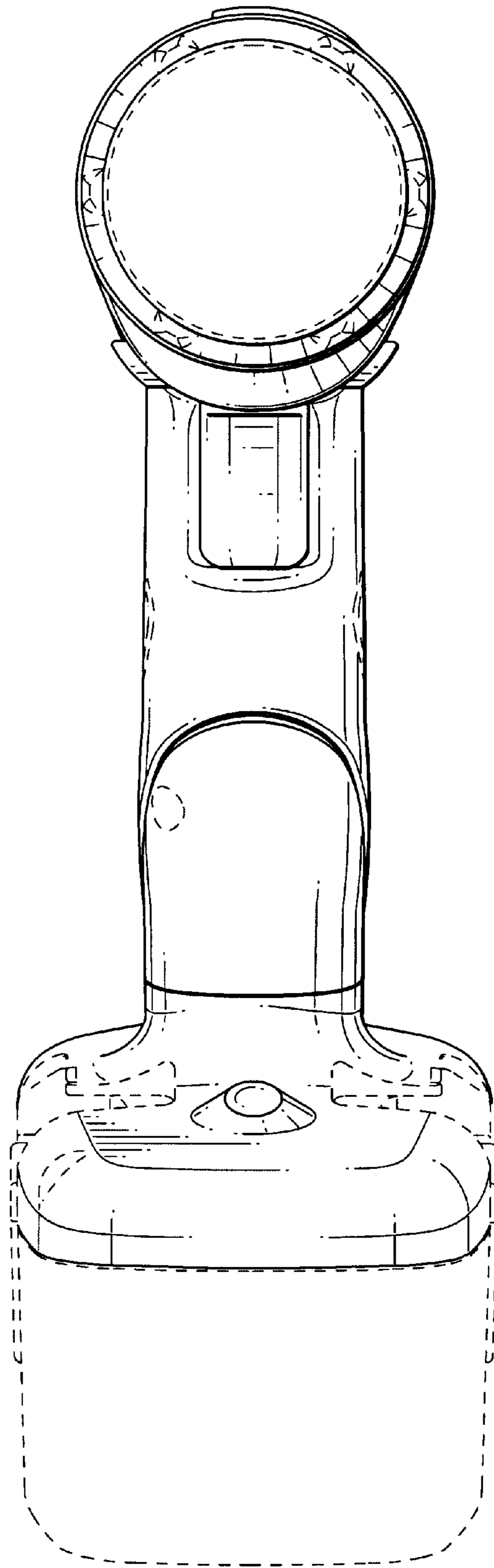


FIG. 4

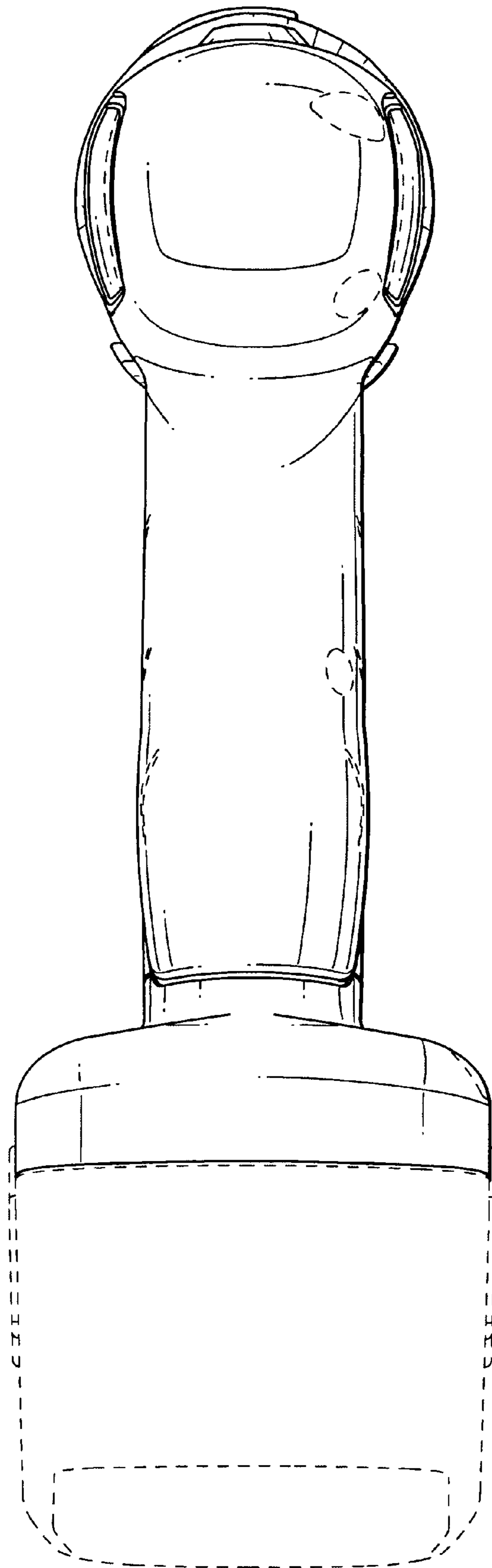


FIG. 5

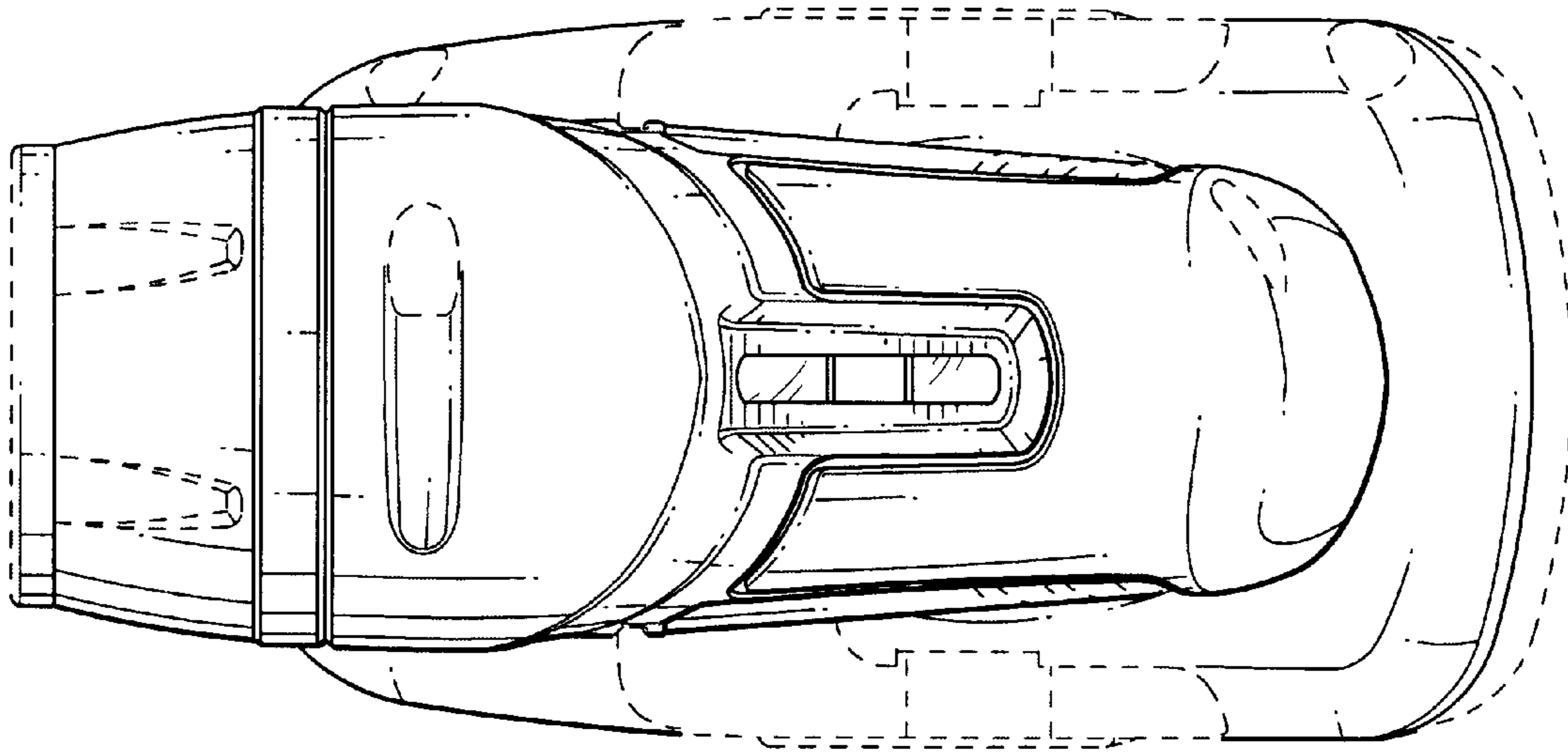


FIG. 6

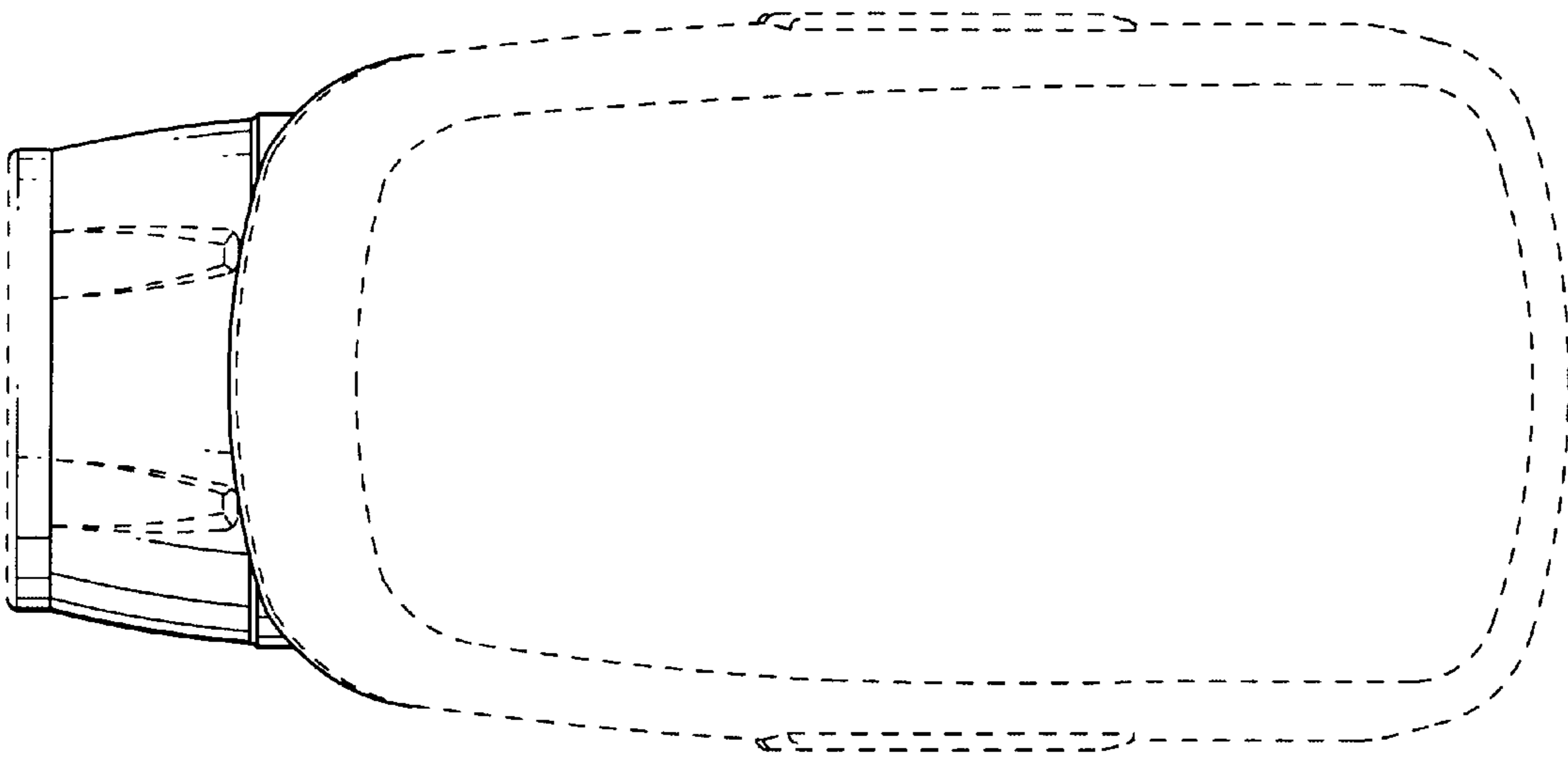


FIG. 7



FIG. 8

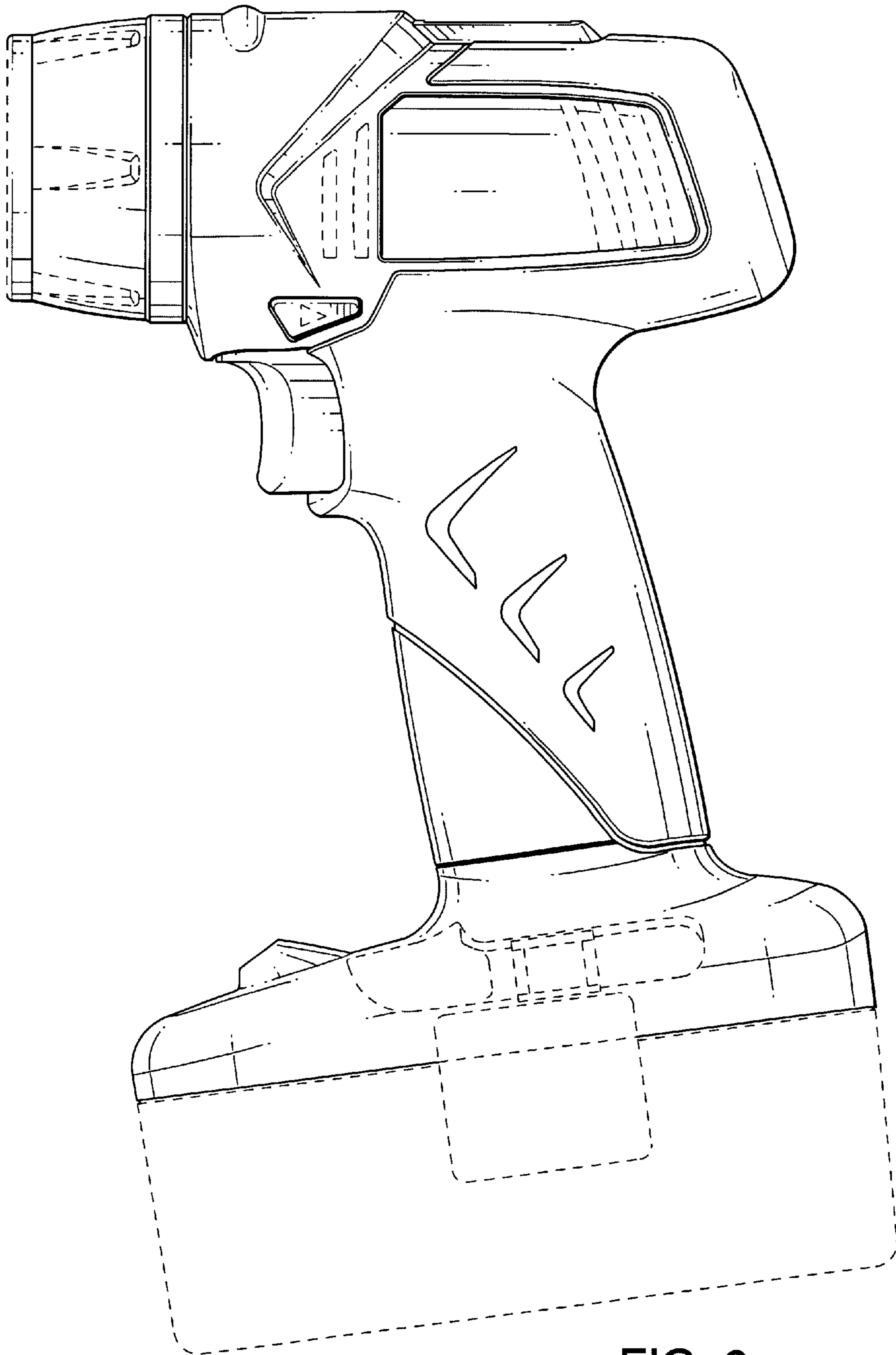


FIG. 9

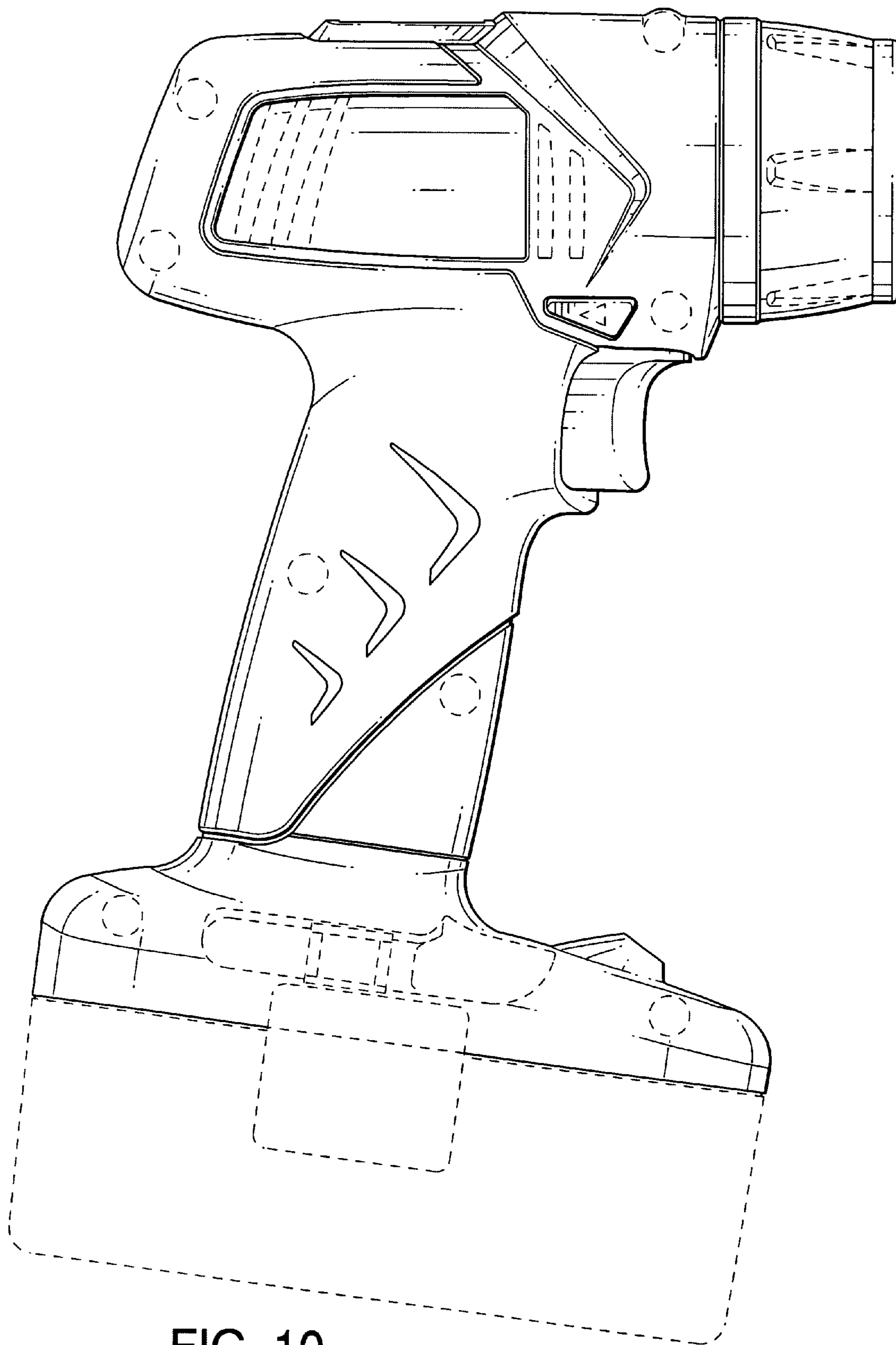


FIG. 10

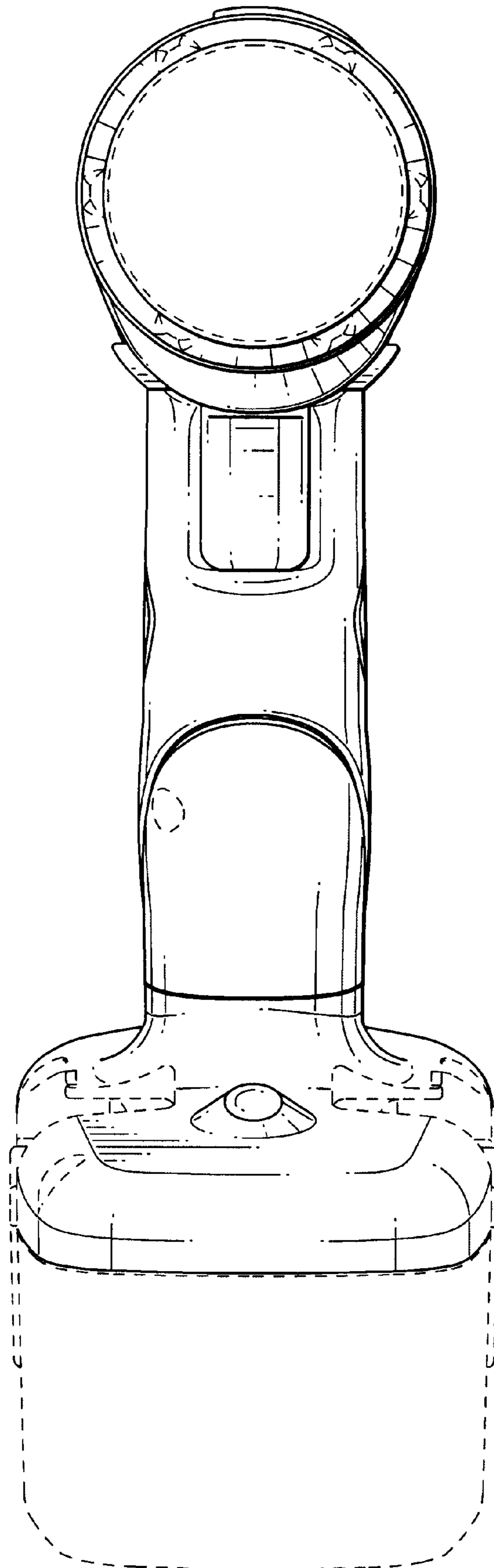


FIG. 11

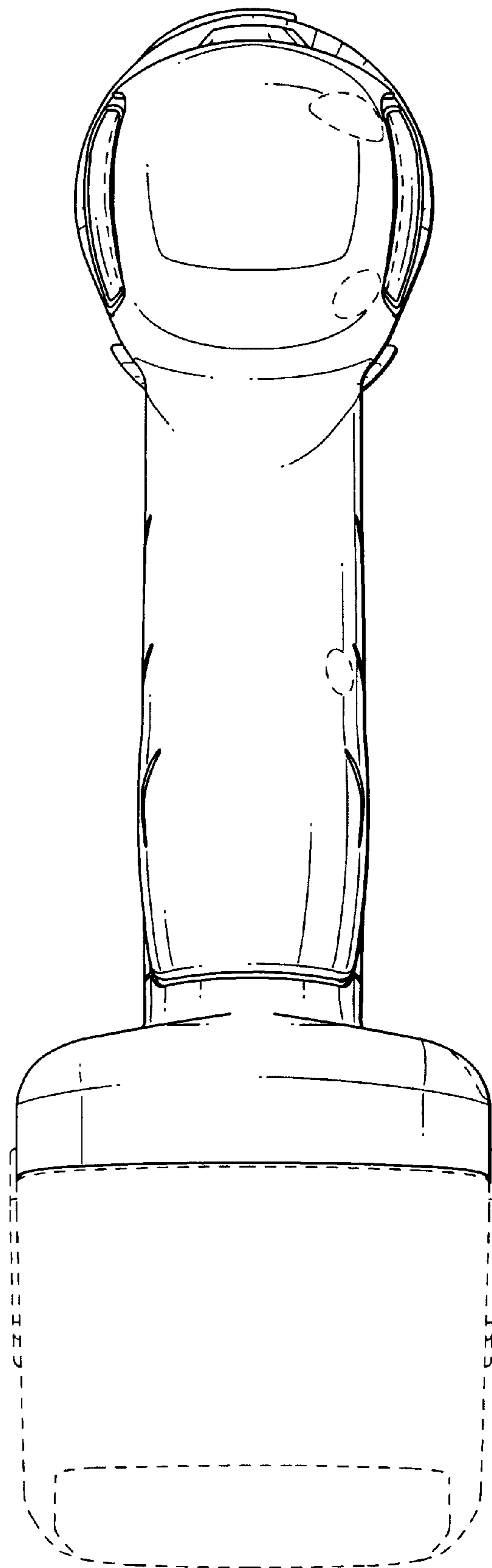


FIG. 12

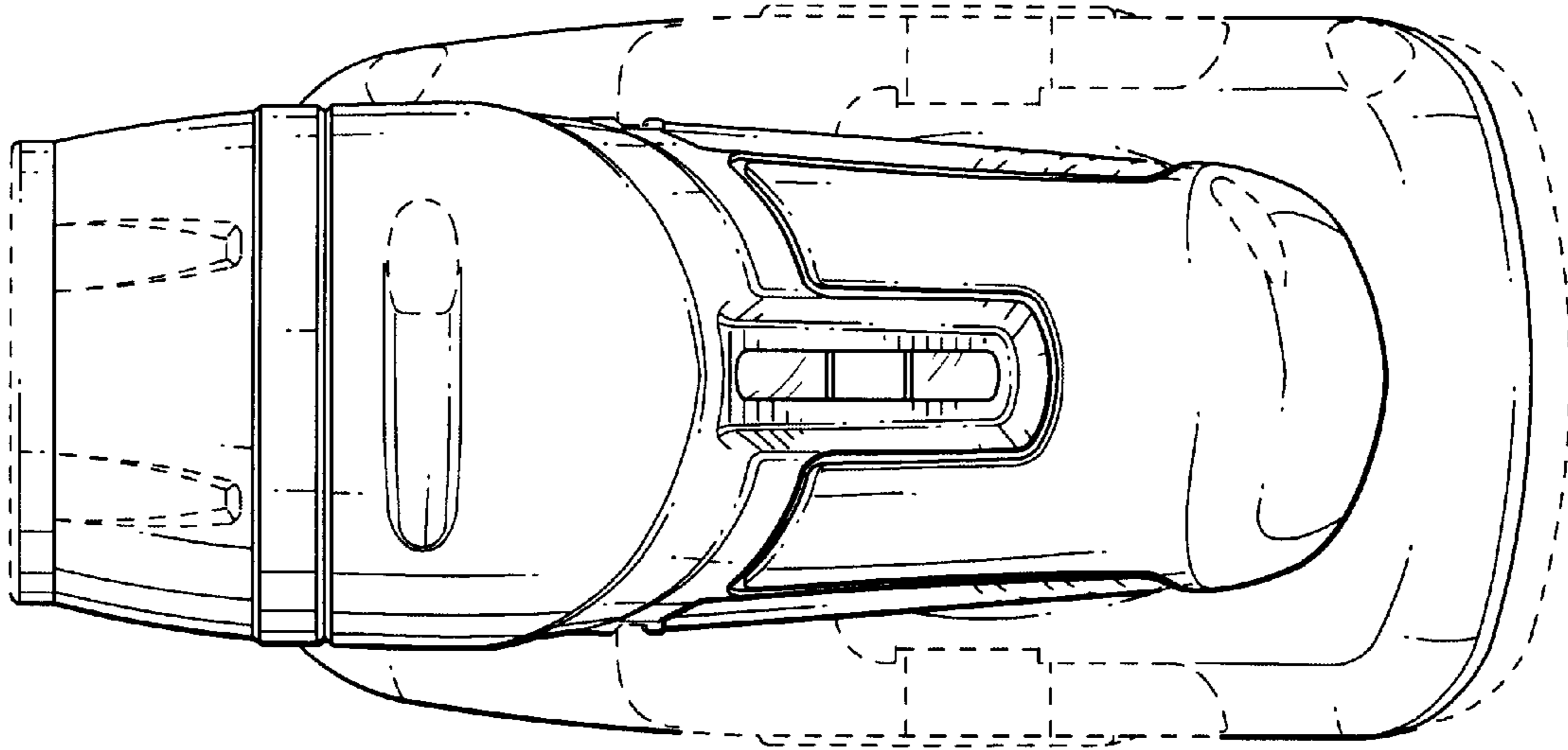


FIG. 13

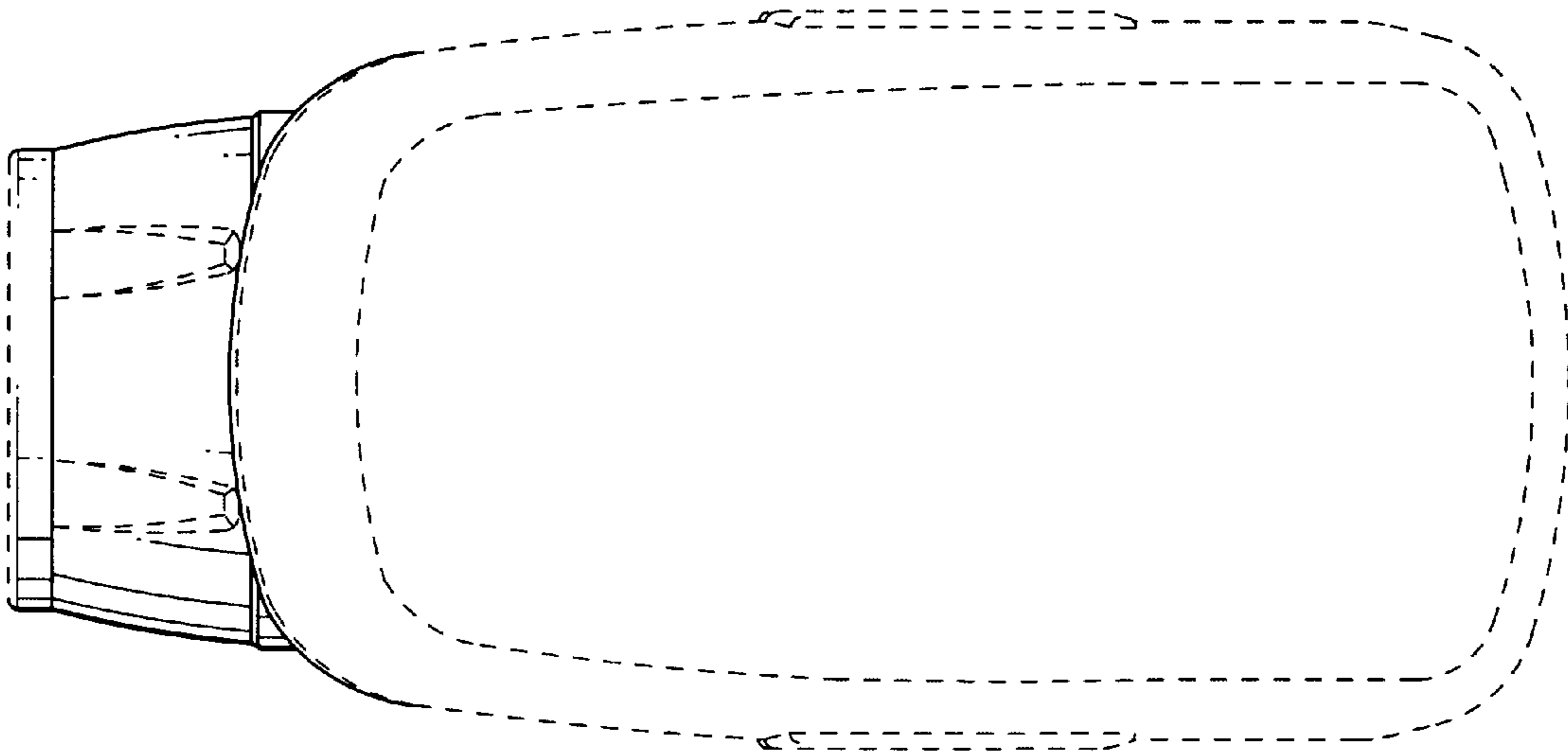


FIG. 14