

US00D524623S

(12) **United States Design Patent**  
**Andriolo**

(10) **Patent No.:** **US D524,623 S**

(45) **Date of Patent:** **\*\* Jul. 11, 2006**

(54) **RECIPROCATING SAW**

(75) Inventor: **Paolo Andriolo**, Suzhou (CN)

(73) Assignee: **Positec Power Tools (Suzhou) Co., Ltd.**, Suzhou (CN)

(\*\*) Term: **14 Years**

(21) Appl. No.: **29/235,553**

(22) Filed: **Aug. 3, 2005**

(51) **LOC (8) Cl.** ..... **08-03**

(52) **U.S. Cl.** ..... **D8/64**

(58) **Field of Classification Search** ..... D8/69,  
D8/68, 67, 66, 65, 64, 62, 61; 30/92, 394,  
30/393, 392, 377, 376, 371; 74/50, 49; 173/217,  
173/216; 83/699.21; 446/145

See application file for complete search history.

(56) **References Cited**

**U.S. PATENT DOCUMENTS**

D413,244 S	*	8/1999	Robson	.....	D8/69
6,062,939 A	*	5/2000	Parker et al.	.....	446/145
6,296,065 B1	*	10/2001	Carrier	.....	173/217
D500,651 S	*	1/2005	Andriolo	.....	D8/64

2002/0059732 A1	*	5/2002	Campbell et al.	.....	30/392
2002/0138991 A1	*	10/2002	Tachibana et al.	.....	30/392
2003/0110645 A1	*	6/2003	Phillips et al.	.....	30/392
2003/0121389 A1	*	7/2003	Wheeler et al.	.....	83/699.21
2005/0005458 A1	*	1/2005	Marinkovich et al.	.....	30/394
2005/0044729 A1	*	3/2005	Tachibana et al.	.....	30/393
2005/0257382 A1	*	11/2005	Lui et al.	.....	30/392

\* cited by examiner

*Primary Examiner*—Cathron C. Brooks

*Assistant Examiner*—Austin Murphy

(74) *Attorney, Agent, or Firm*—Howard & Howard

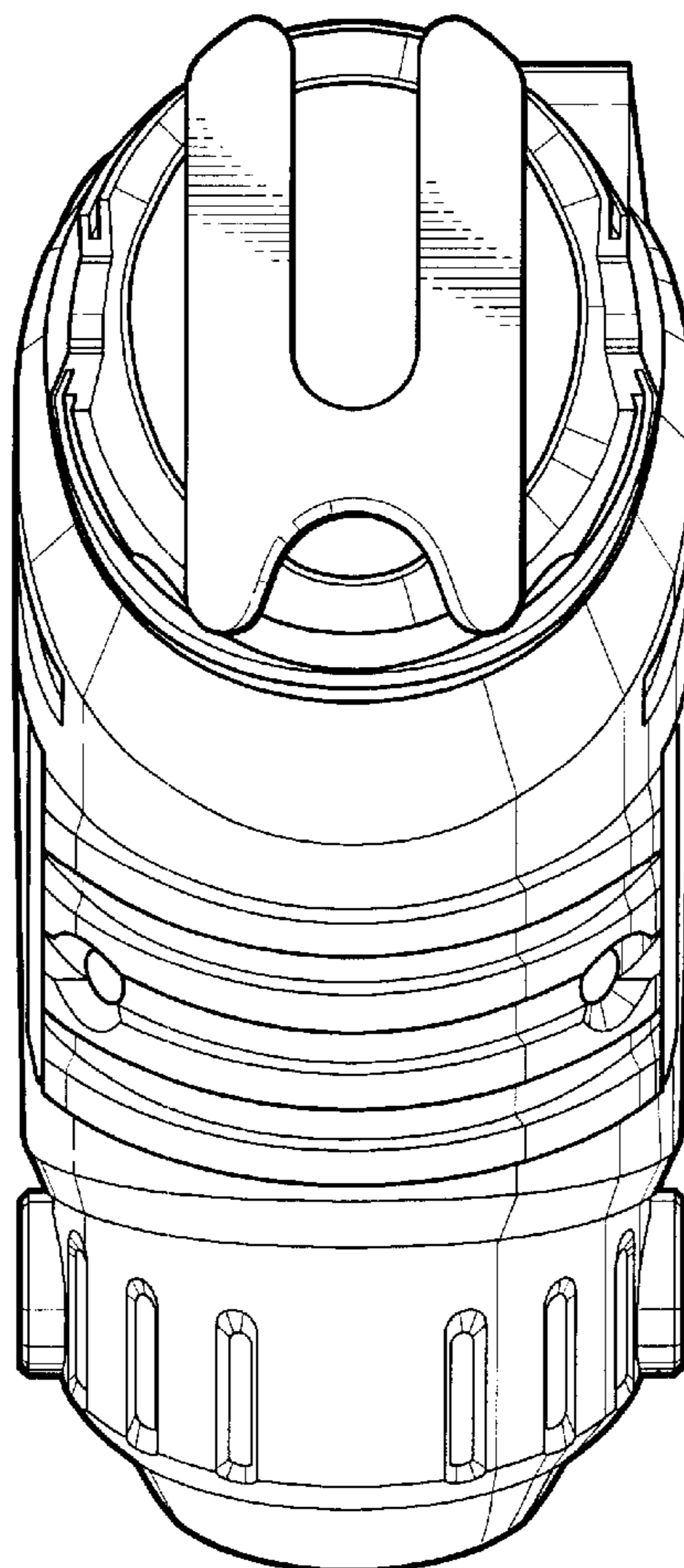
(57) **CLAIM**

I claim the ornamental design for a reciprocating saw, as shown.

**DESCRIPTION**

FIG. 1 is a perspective view;  
FIG. 2 is a rear elevational view;  
FIG. 3 is a front elevational view;  
FIG. 4 is a top plan view;  
FIG. 5 is a bottom plan view;  
FIG. 6 is an elevational view of the right side; and,  
FIG. 7 is an elevational view of the left side.

**1 Claim, 7 Drawing Sheets**



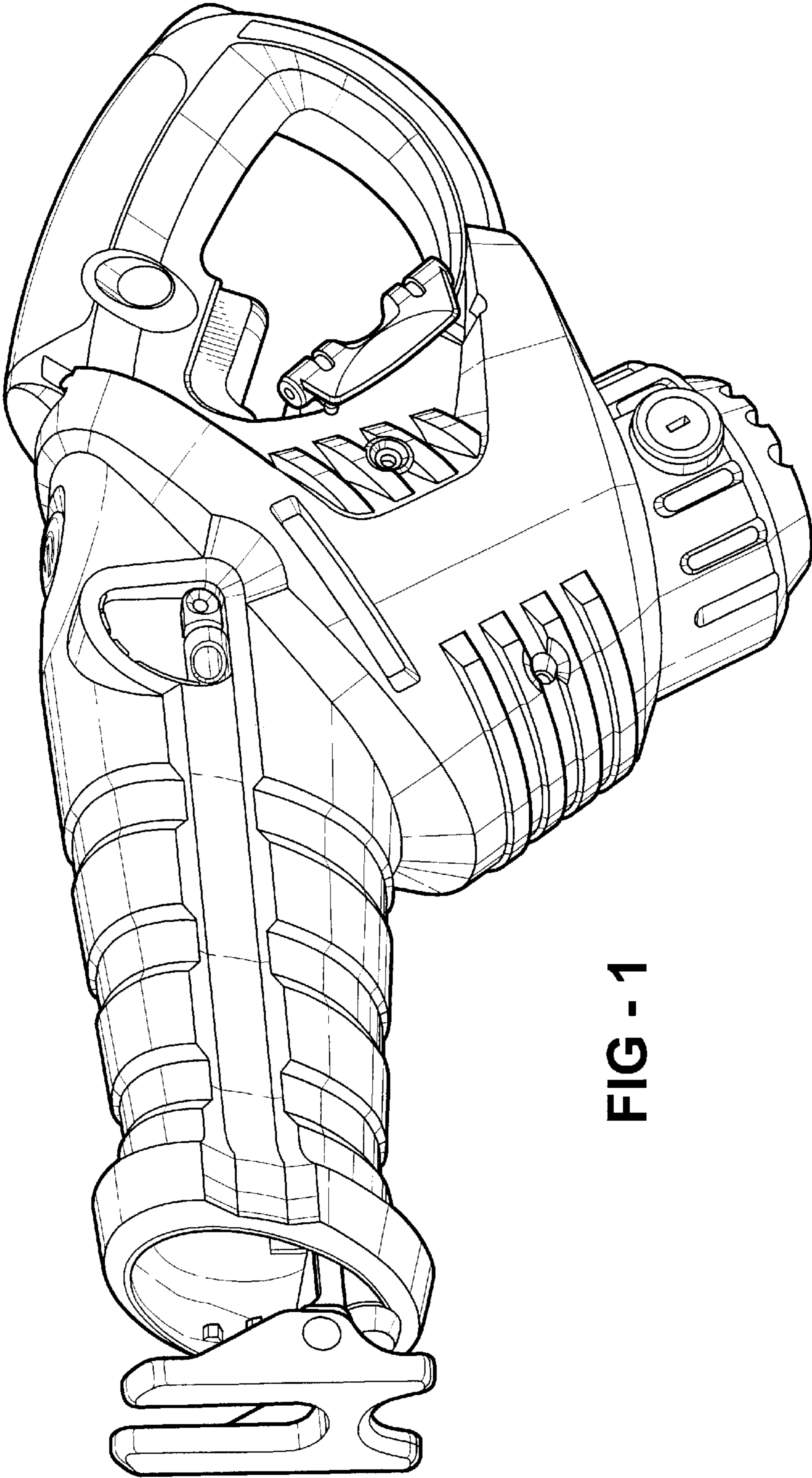


FIG - 1

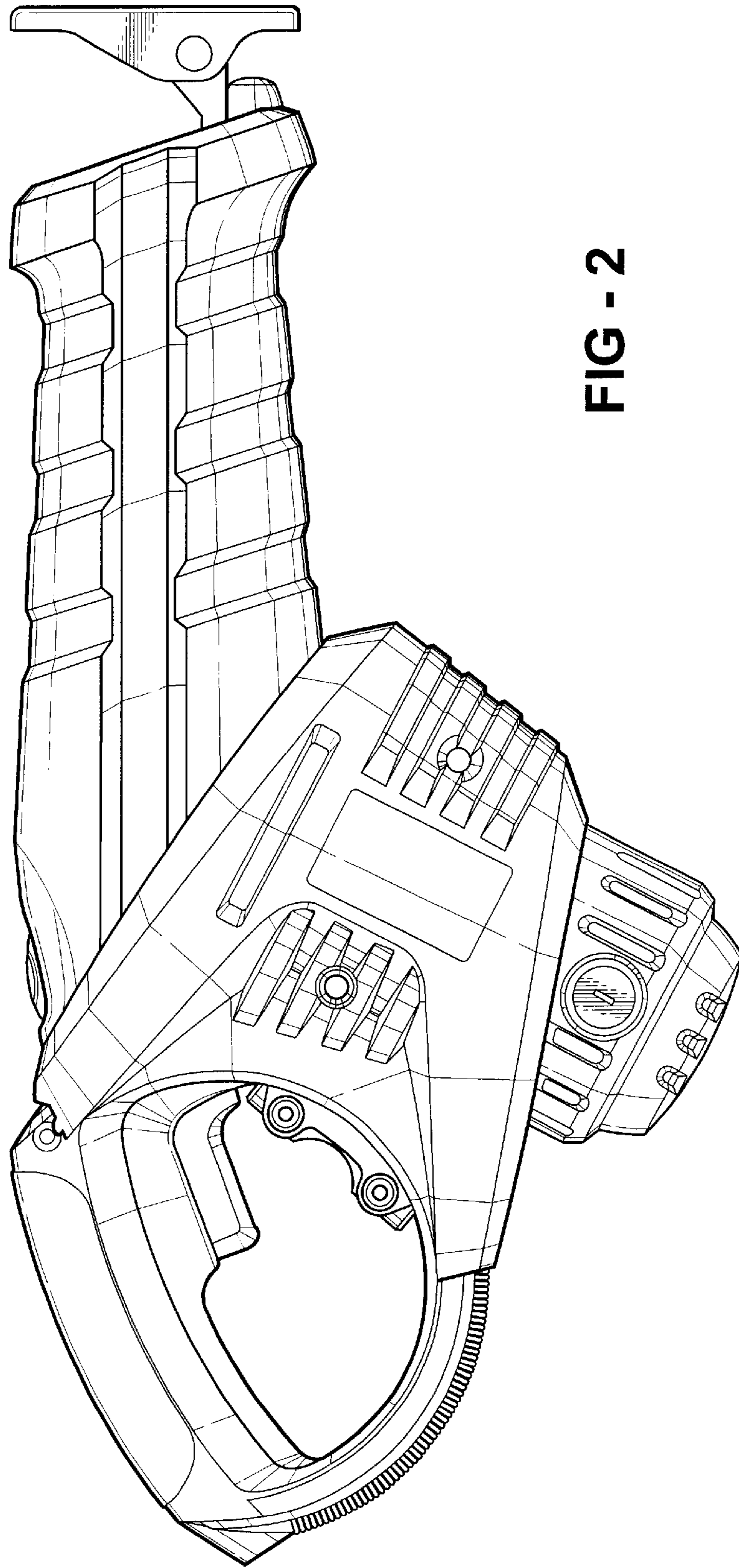


FIG - 2



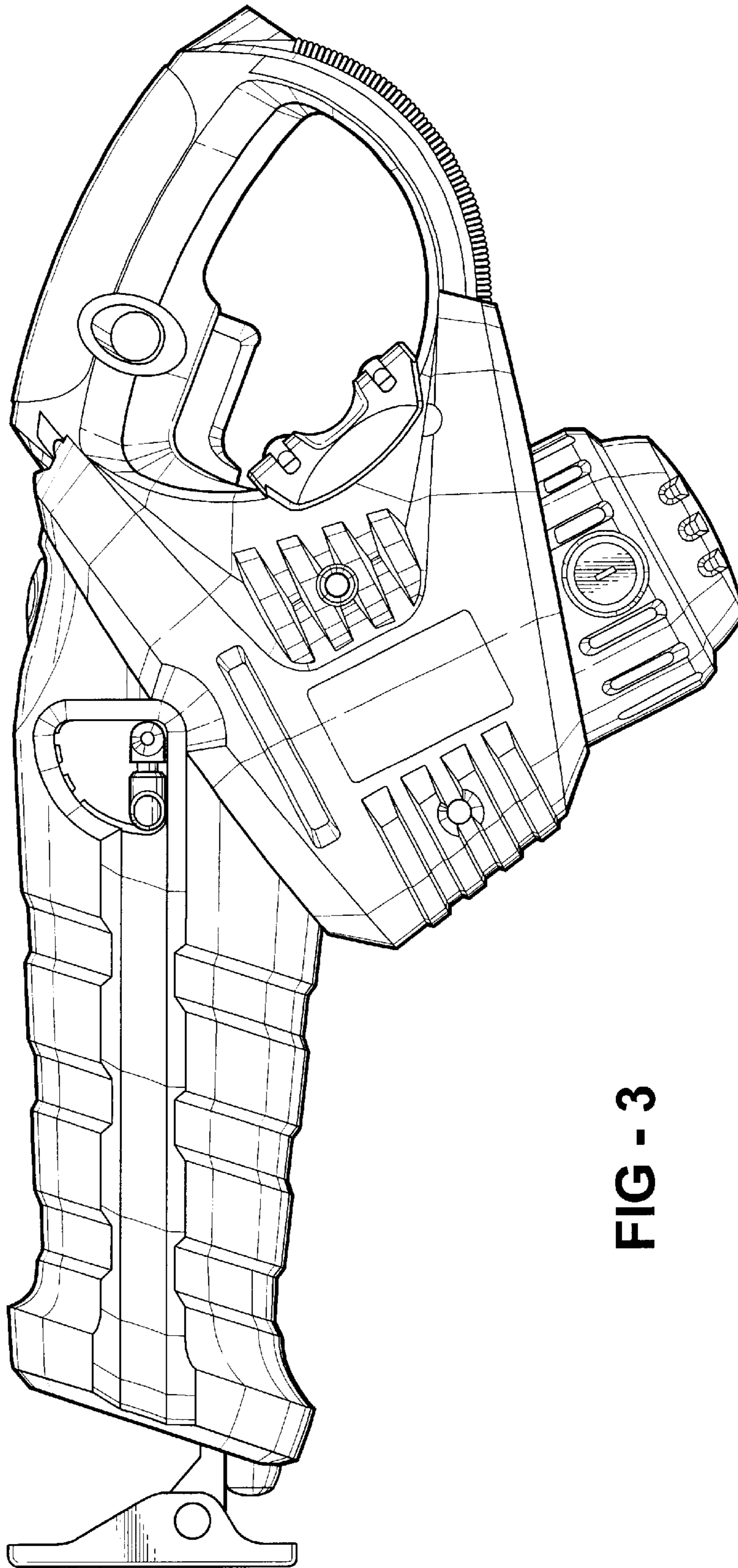


FIG - 3

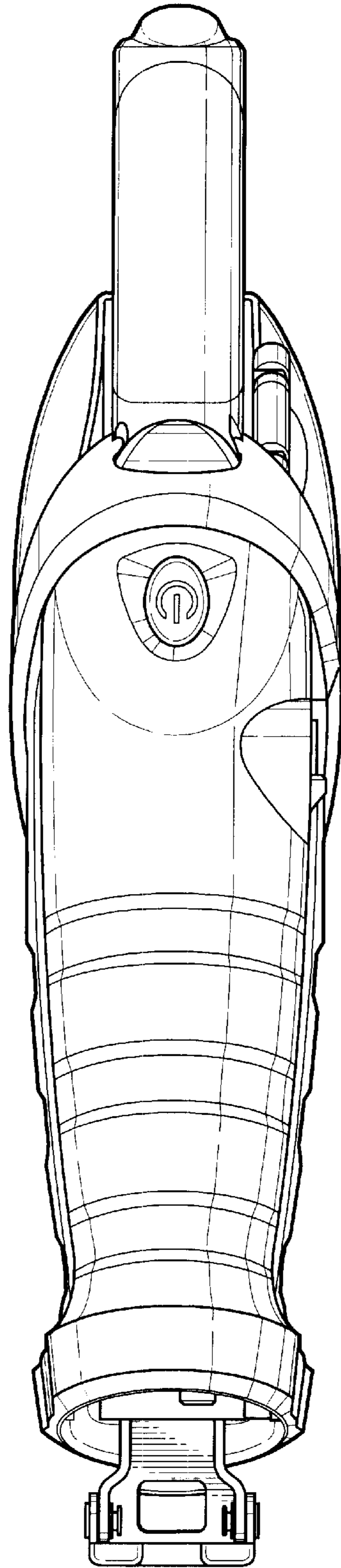


FIG - 4

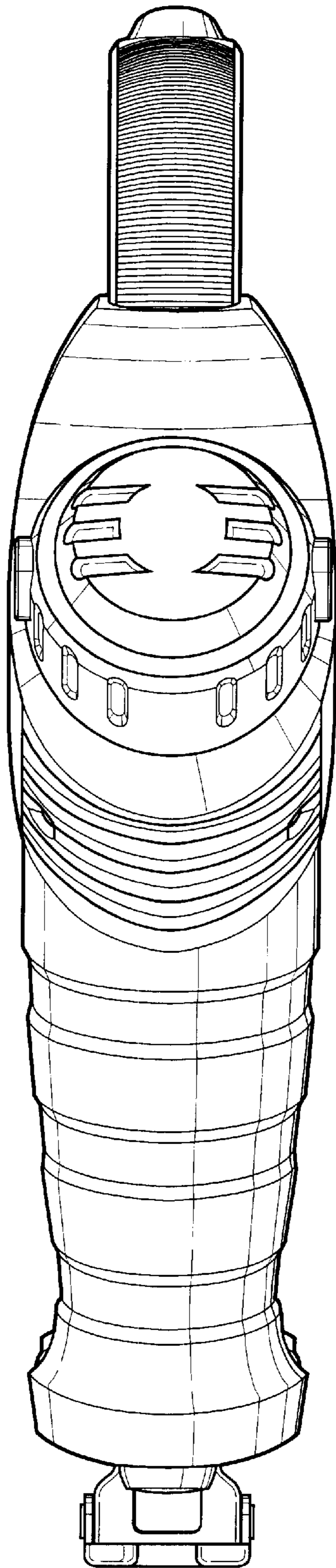
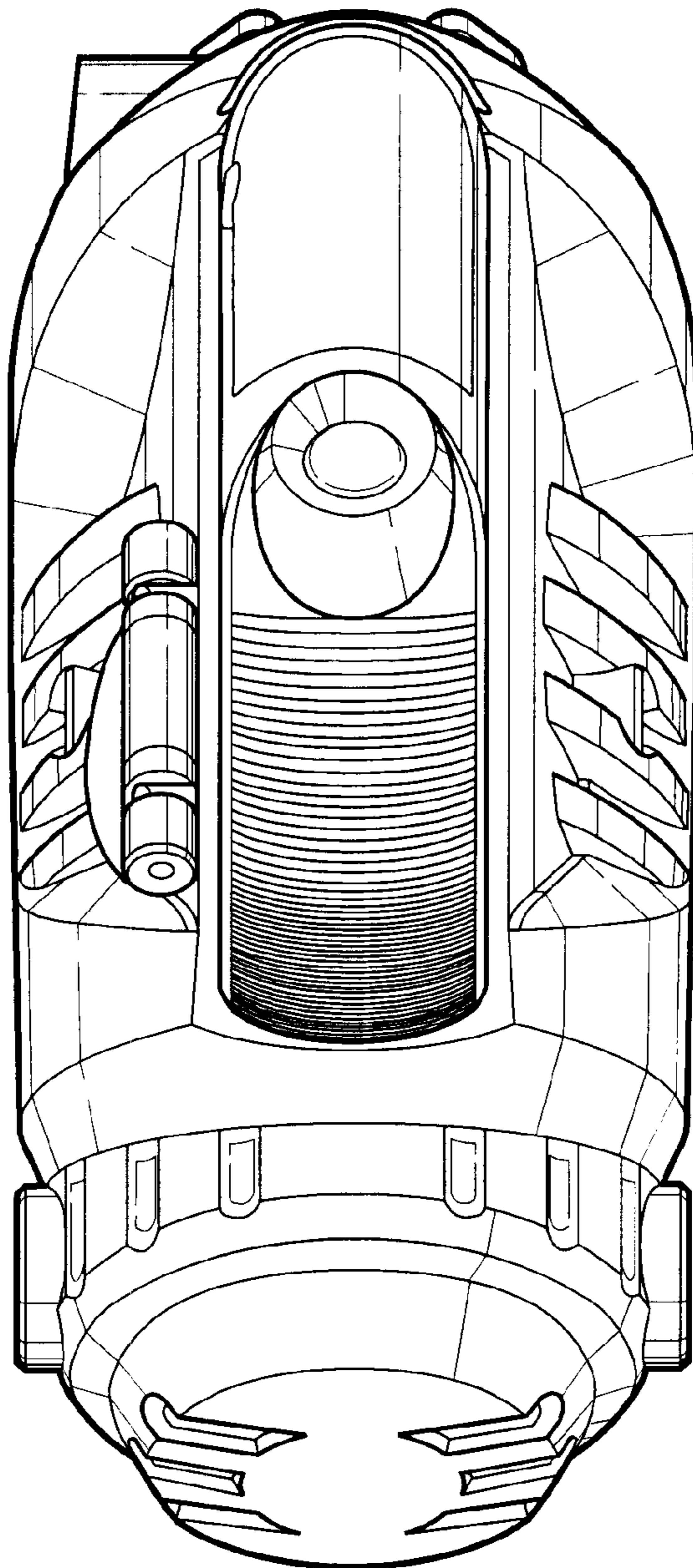
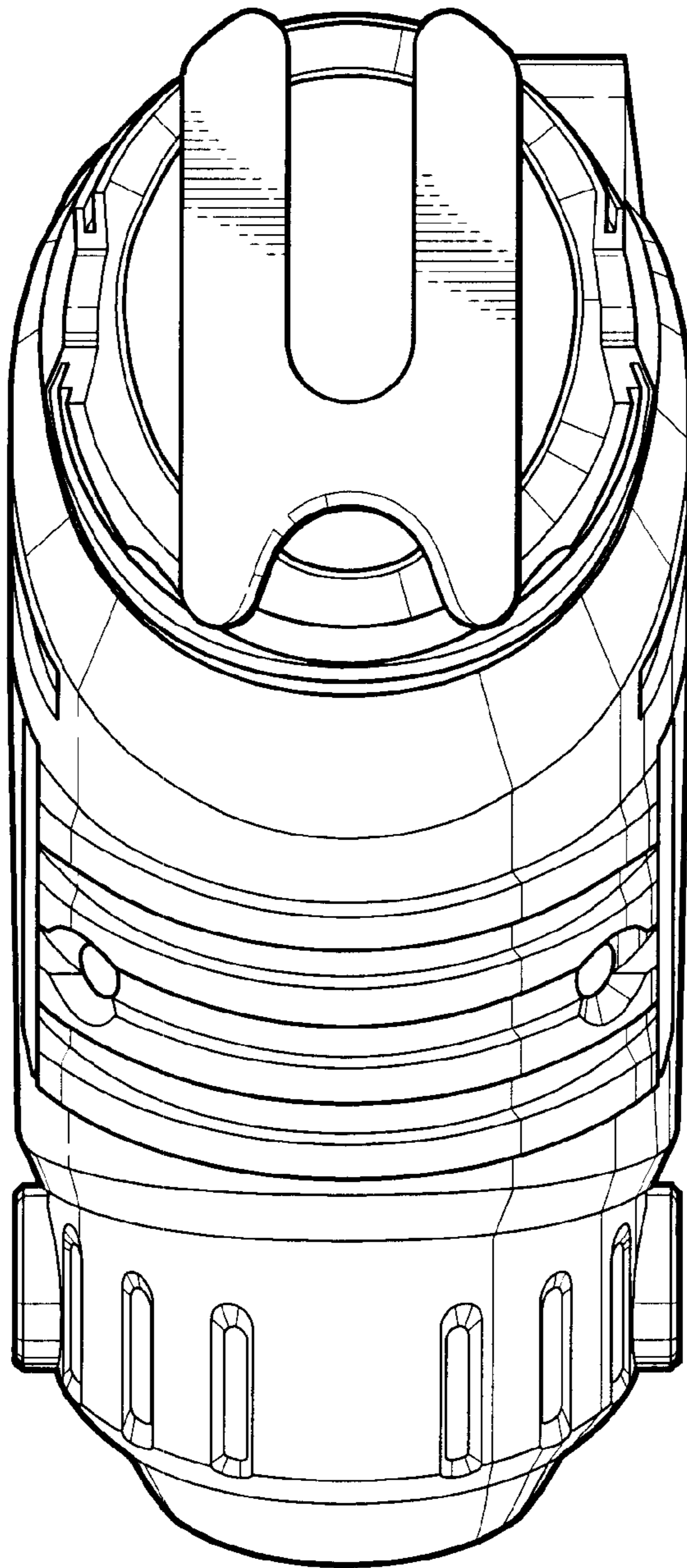


FIG - 5



**FIG - 6**



**FIG - 7**