



US00D524620S

(12) **United States Design Patent**  
**Netzler**

(10) **Patent No.:** **US D524,620 S**  
(45) **Date of Patent:** **\*\* Jul. 11, 2006**

- (54) **JIGSAW**
- (75) Inventor: **Sion Netzler**, Newton Aycliffe (GB)
- (73) Assignee: **Black & Decker Inc.**, Newark, DE (US)
- (\*\*) Term: **14 Years**
- (21) Appl. No.: **29/216,895**
- (22) Filed: **Nov. 10, 2004**
- (30) **Foreign Application Priority Data**  
May 14, 2004 (GB) ..... 3017301
- (51) **LOC (8) Cl.** ..... **08-03**
- (52) **U.S. Cl.** ..... **D8/64**
- (58) **Field of Classification Search** ..... D8/69,  
D8/68, 67, 66, 64, 61; 83/747, 699.21; 310/50;  
30/394, 393, 392, 391, 390, 377, 376; 173/217,  
173/216  
See application file for complete search history.

- D410,183 S 5/1999 Thomson
- D414,094 S 9/1999 Heun
- D420,876 S 2/2000 Bosten et al.
- D423,314 S 4/2000 Robson
- D426,124 S 6/2000 Kassalen et al.
- D440,474 S 4/2001 Heun
- D446,703 S 8/2001 Netzler
- D451,356 S 12/2001 Pretzell
- D462,591 S 9/2002 Gist
- D463,963 S 10/2002 Metaxatos et al.
- 6,467,177 B1 \* 10/2002 Eichberger ..... 30/392
- D468,983 S 1/2003 Kondo et al.
- D474,384 S 5/2003 Andriolo
- D475,264 S 6/2003 Kondo et al.
- D476,871 S 7/2003 Santarsiero et al.
- D484,381 S 12/2003 Yamada et al.
- D485,147 S \* 1/2004 Yamada et al. .... D8/64
- D486,711 S 2/2004 Tam et al.
- 6,892,459 B1 \* 5/2005 Okumura et al. .... 30/123.3

\* cited by examiner

*Primary Examiner*—Cathron C. Brooks  
*Assistant Examiner*—Austin Murphy  
(74) *Attorney, Agent, or Firm*—Michael P. Leary; Charles E. Yocum; Adan Ayala

(56) **References Cited**

**U.S. PATENT DOCUMENTS**

- D175,185 S 7/1955 Oakley
- D178,426 S \* 7/1956 Johnson ..... D8/64
- D191,570 S 10/1961 Downs
- D192,134 S \* 1/1962 Johnson ..... D8/64
- D277,451 S \* 2/1985 Barnik ..... D8/64
- D282,625 S 2/1986 Schultz et al.
- D287,930 S 1/1987 Somers
- D295,945 S 5/1988 Sakamoto et al.
- D297,208 S 8/1988 Somers
- D297,401 S 8/1988 Clowers
- D329,005 S 9/1992 Hoshino
- D337,709 S 7/1993 Ogawa et al.
- D339,276 S 9/1993 Matsuoka et al.
- D404,274 S 1/1999 Ogasawara et al.
- D409,469 S 5/1999 Niwa et al.

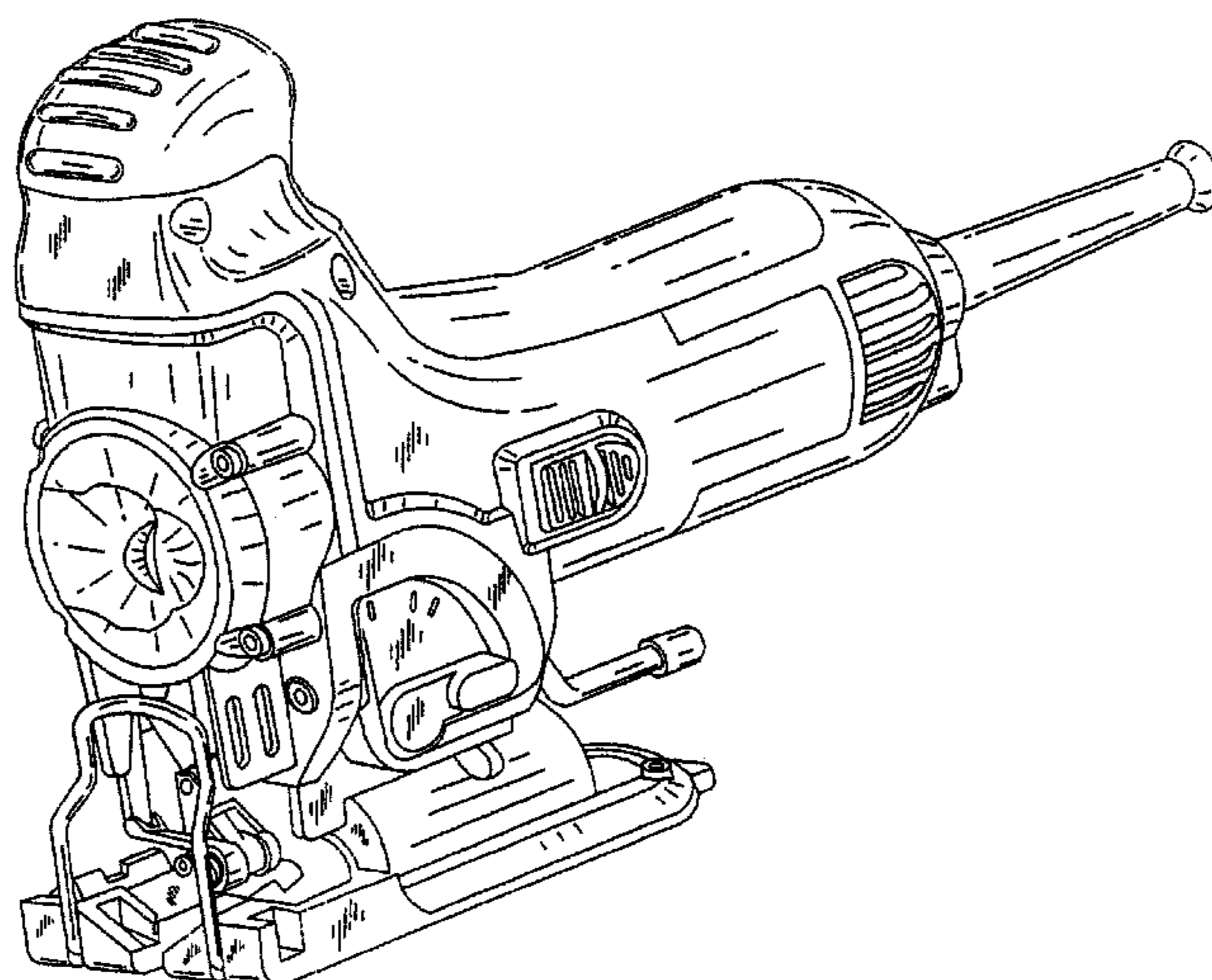
(57) **CLAIM**

The ornamental design for a jigsaw, as shown and described.

**DESCRIPTION**

FIG. 1 is a perspective view of a jigsaw showing my new design.  
FIG. 2 is a left side view of a jigsaw according to FIG. 1.  
FIG. 3 is a right side view of a jigsaw according to FIG. 1.  
FIG. 4 is a top view of a jigsaw according to FIG. 1.  
FIG. 5 is a bottom view of a jigsaw according to FIG. 1.  
FIG. 6 is a front view of a jigsaw according to FIG. 1; and,  
FIG. 7 is a rear view of a jigsaw according to FIG. 1.

**1 Claim, 5 Drawing Sheets**



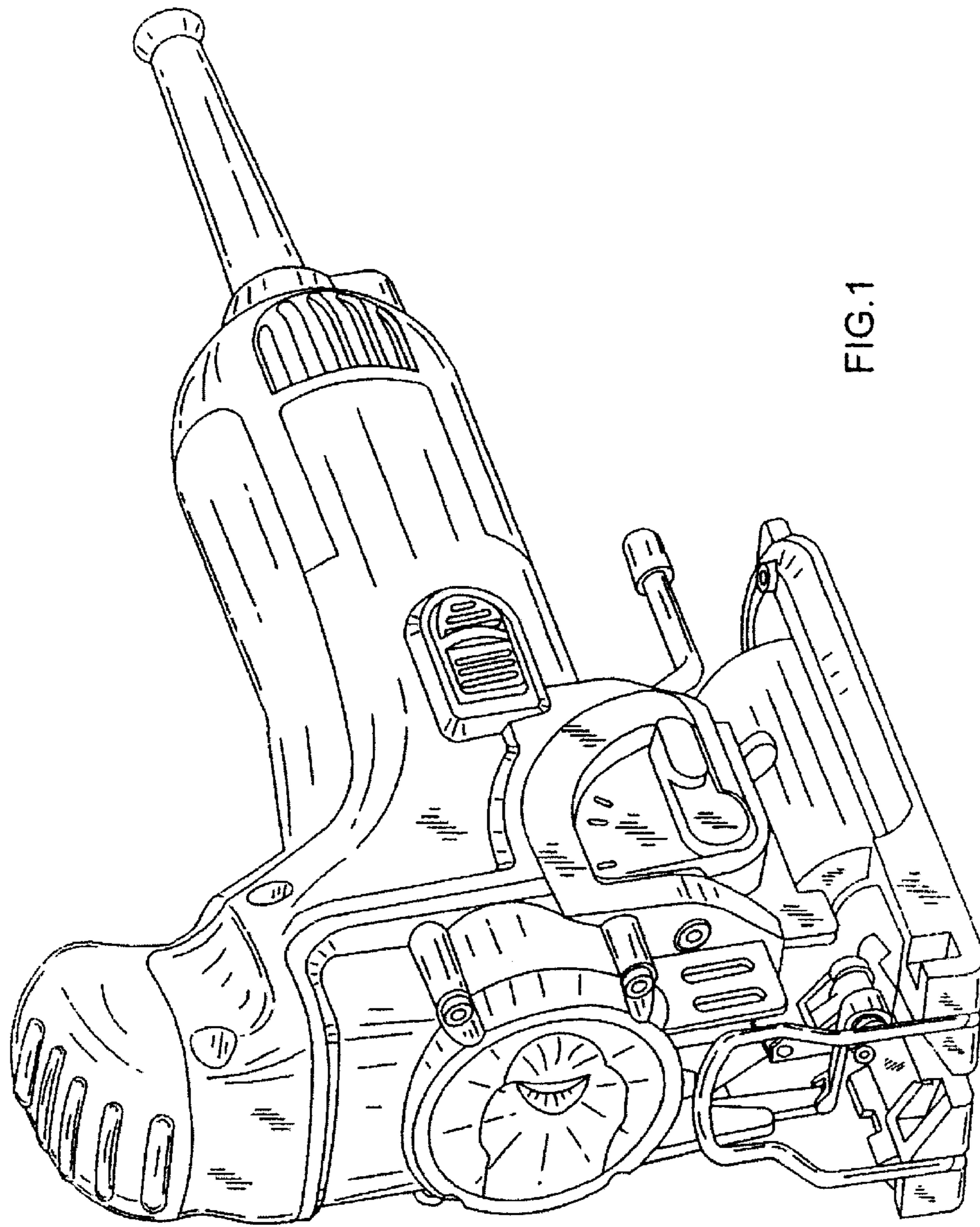


FIG.1

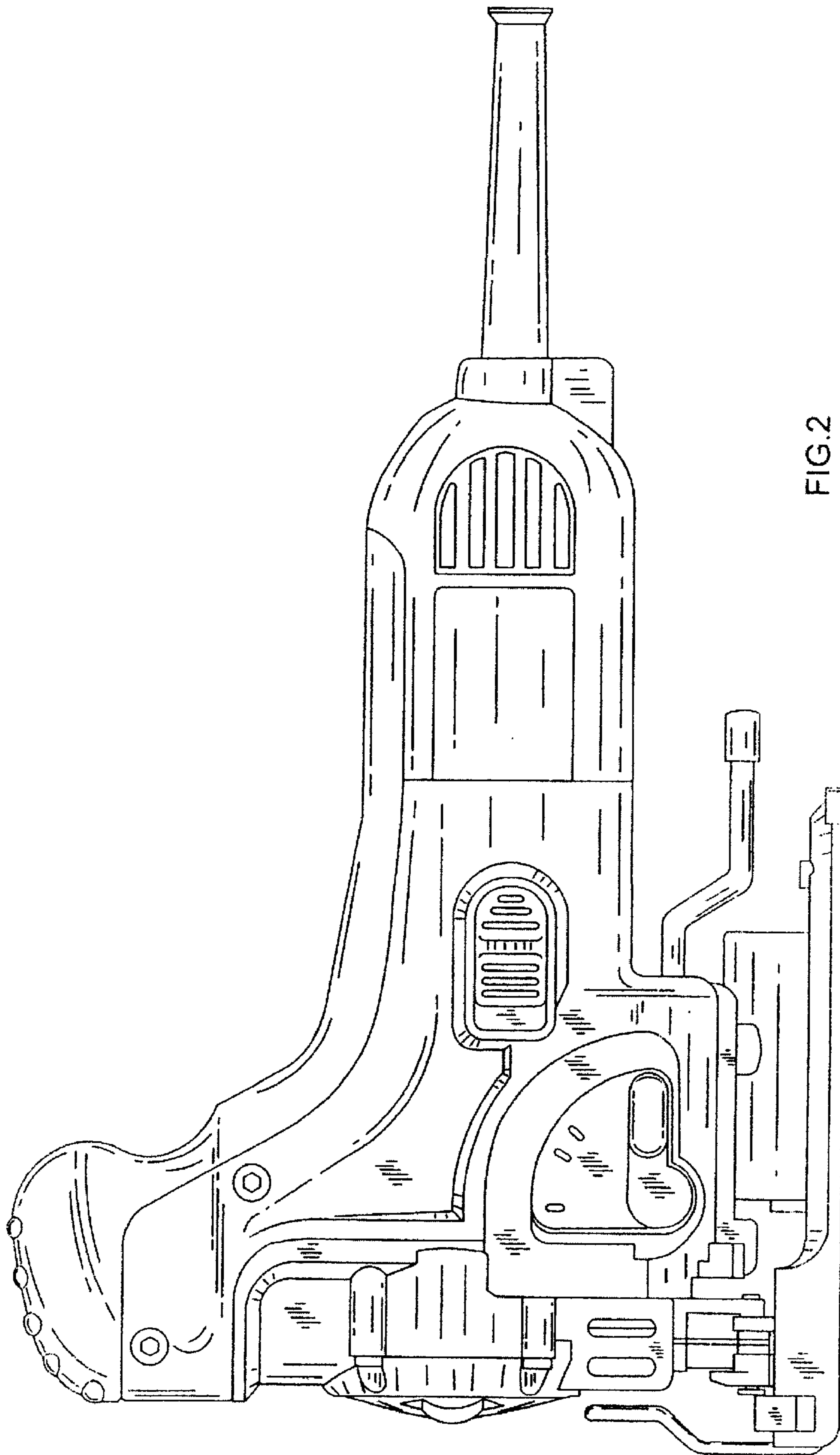


FIG. 2

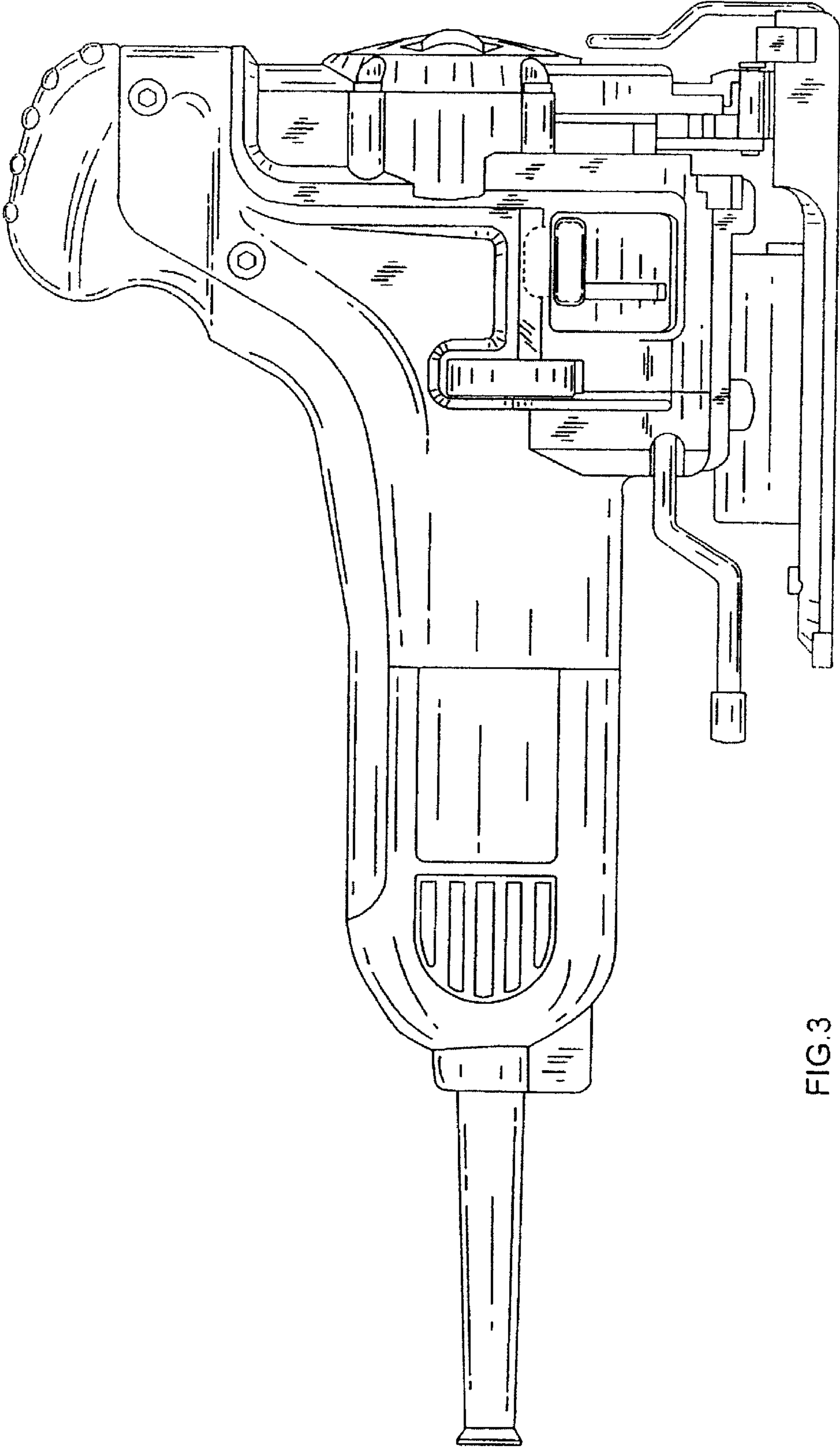


FIG. 3

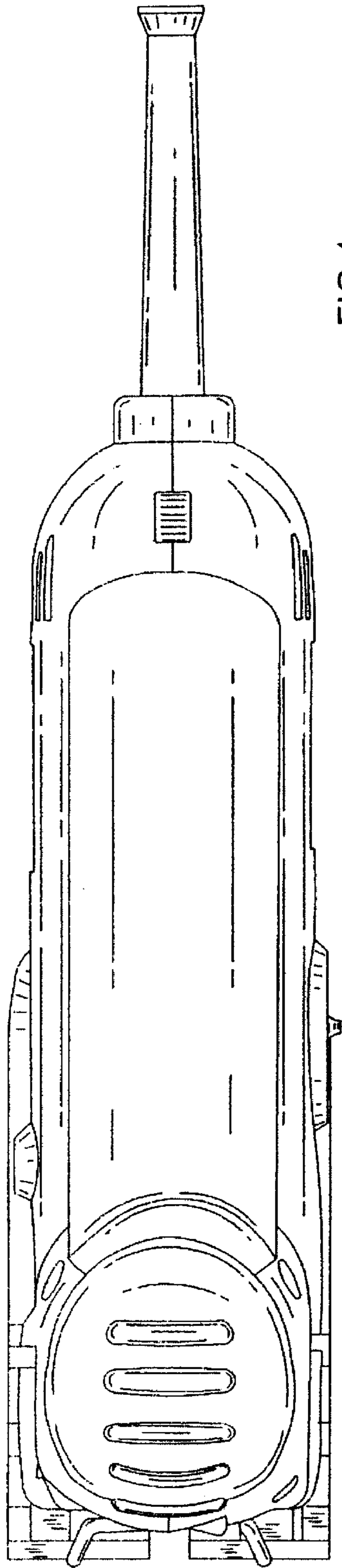


FIG. 4

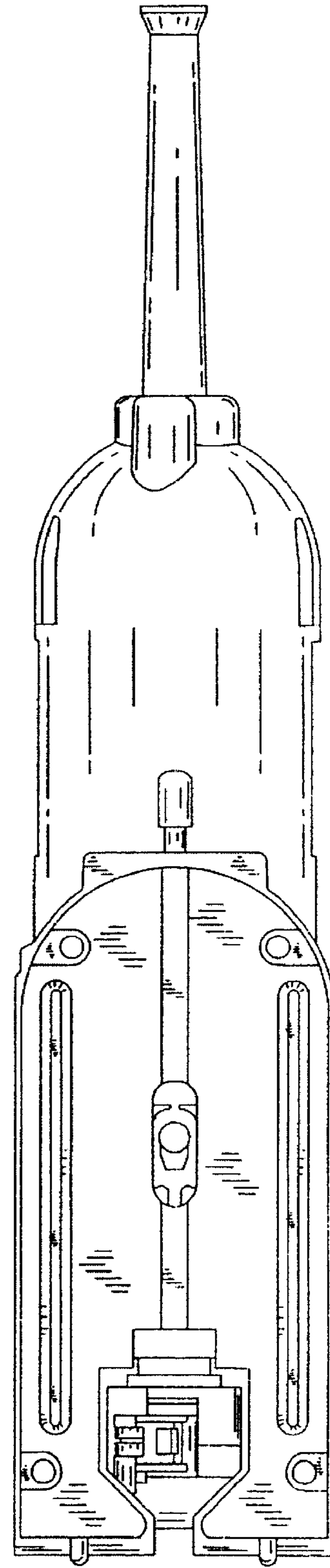


FIG. 5

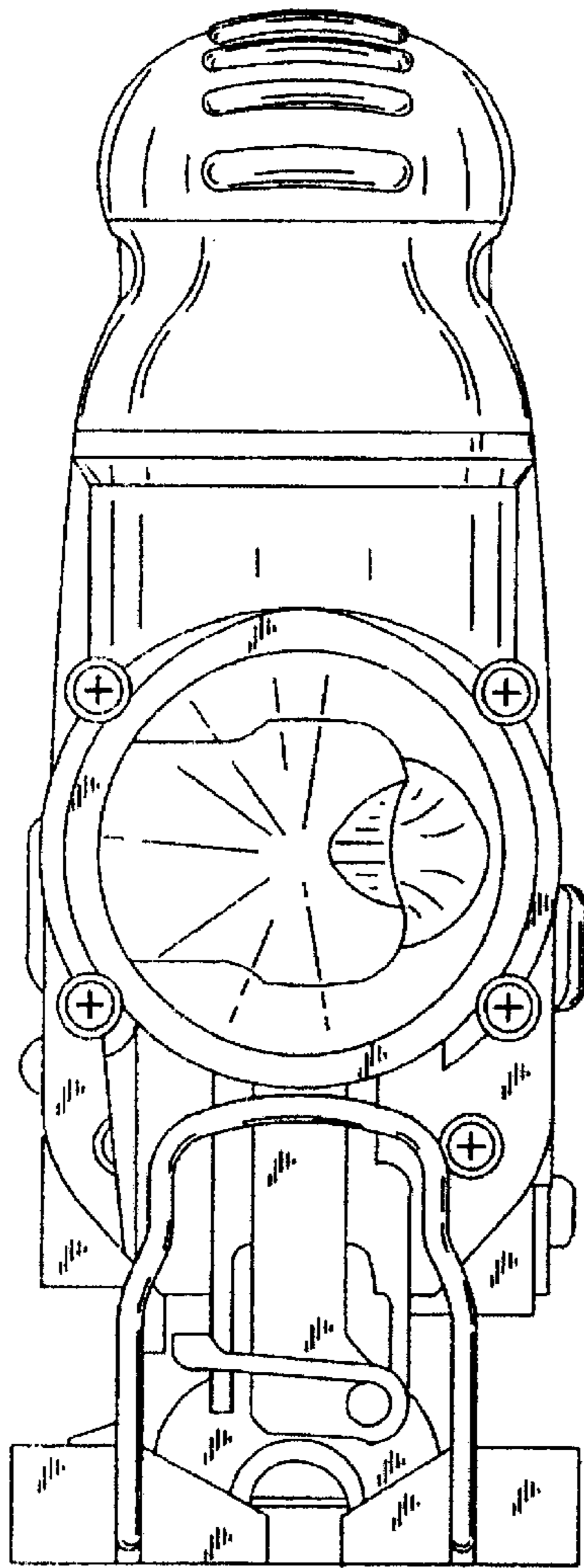


FIG. 6

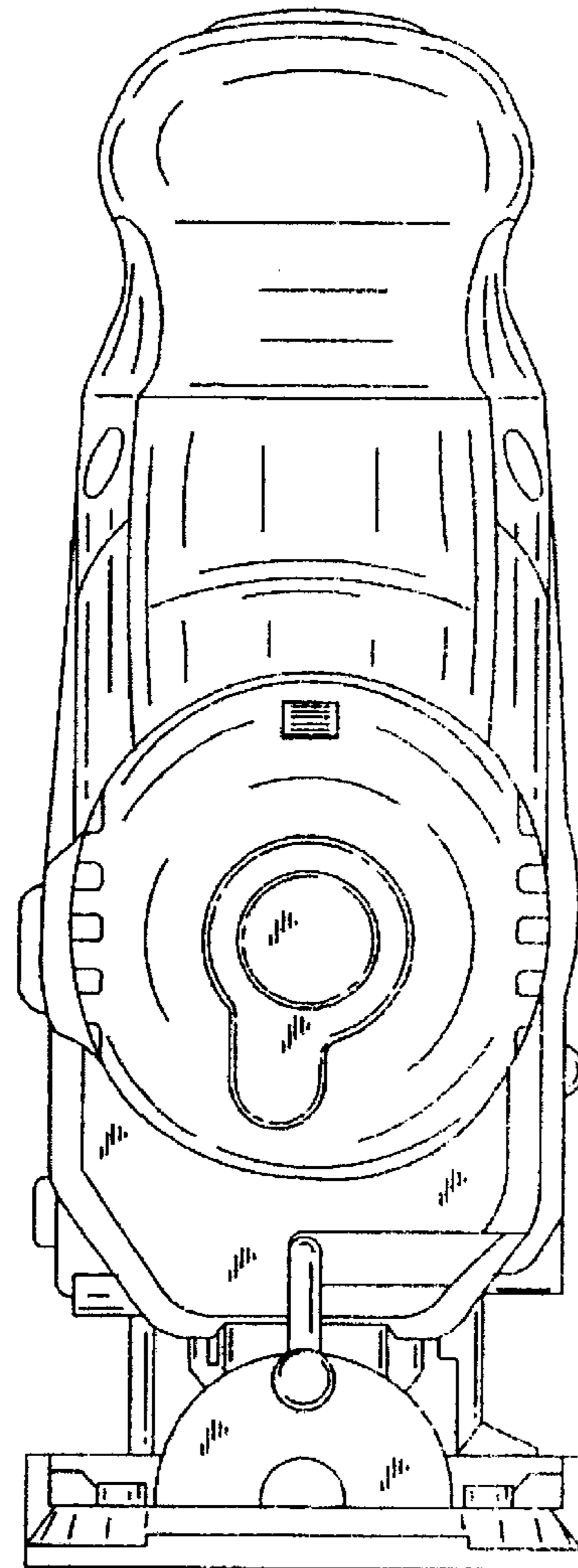


FIG. 7