



US00D524618S

(12) **United States Design Patent**  
**Goto**

(10) **Patent No.:** **US D524,618 S**  
(45) **Date of Patent:** **\*\* Jul. 11, 2006**

(54) **PORTABLE GRINDER**

(75) Inventor: **Hiroaki Goto**, Nagano-Prefecture (JP)

(73) Assignee: **Goto Electronic Works Co., Ltd.**,  
Nagano-Prefecture (JP)

(\*\*) Term: **14 Years**

(21) Appl. No.: **29/235,800**

(22) Filed: **Aug. 8, 2005**

(30) **Foreign Application Priority Data**

Apr. 8, 2005 (JP) ..... 2005-010545

(51) **LOC (8) Cl.** ..... **08-01**

(52) **U.S. Cl.** ..... **D8/62**

(58) **Field of Classification Search** ..... D8/69,  
D8/67, 62, 61; 451/359, 358, 357, 356, 354,  
451/353, 351, 344, 294; 173/168  
See application file for complete search history.

(56) **References Cited**

**U.S. PATENT DOCUMENTS**

D332,560 S \* 1/1993 Mikiya ..... D8/62  
D351,772 S \* 10/1994 Price ..... D8/62  
D378,183 S \* 2/1997 Dognini ..... D8/62

D411,424 S \* 6/1999 Saito ..... D8/62  
D437,199 S \* 2/2001 Robson ..... D8/62  
D447,029 S \* 8/2001 Sun et al. .... D8/61  
D479,969 S \* 9/2003 Robson et al. .... D8/62  
D511,285 S \* 11/2005 Henssler et al. .... D8/62

\* cited by examiner

*Primary Examiner*—Cathron C. Brooks

*Assistant Examiner*—Austin Murphy

(74) *Attorney, Agent, or Firm*—Bacon & Thomas, PLLC

(57) **CLAIM**

The ornamental design for portable grinder, as shown and described.

**DESCRIPTION**

FIG. 1 is a front view of portable grinder embodying my new design;

FIG. 2 is a rear view thereof;

FIG. 3 is a right side view thereof;

FIG. 4 is a left side view thereof;

FIG. 5 is a plan view thereof;

FIG. 6 is a bottom view thereof;

FIG. 7 is a front perspective view; and,

FIG. 8 is a rear perspective view.

**1 Claim, 8 Drawing Sheets**

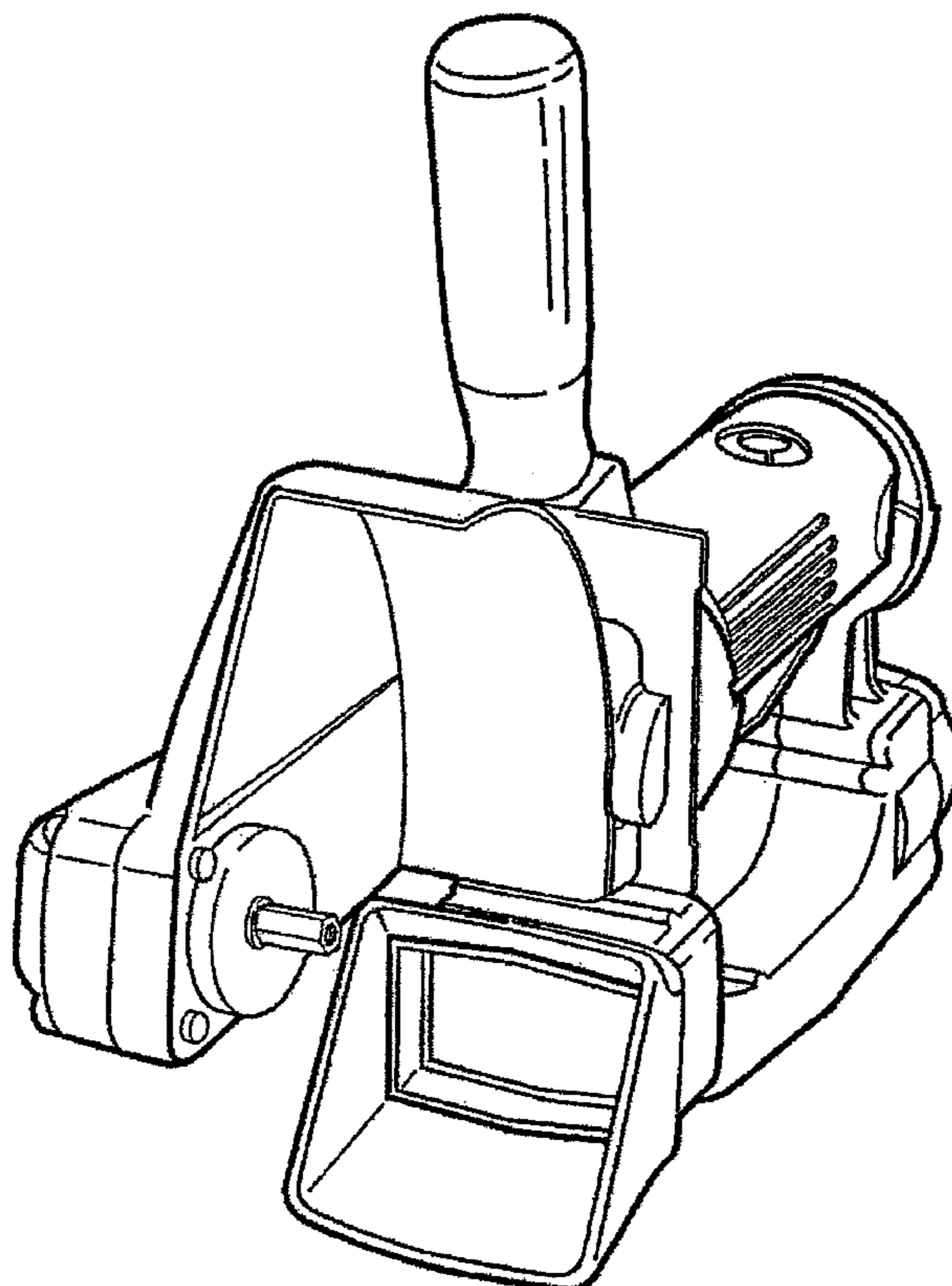
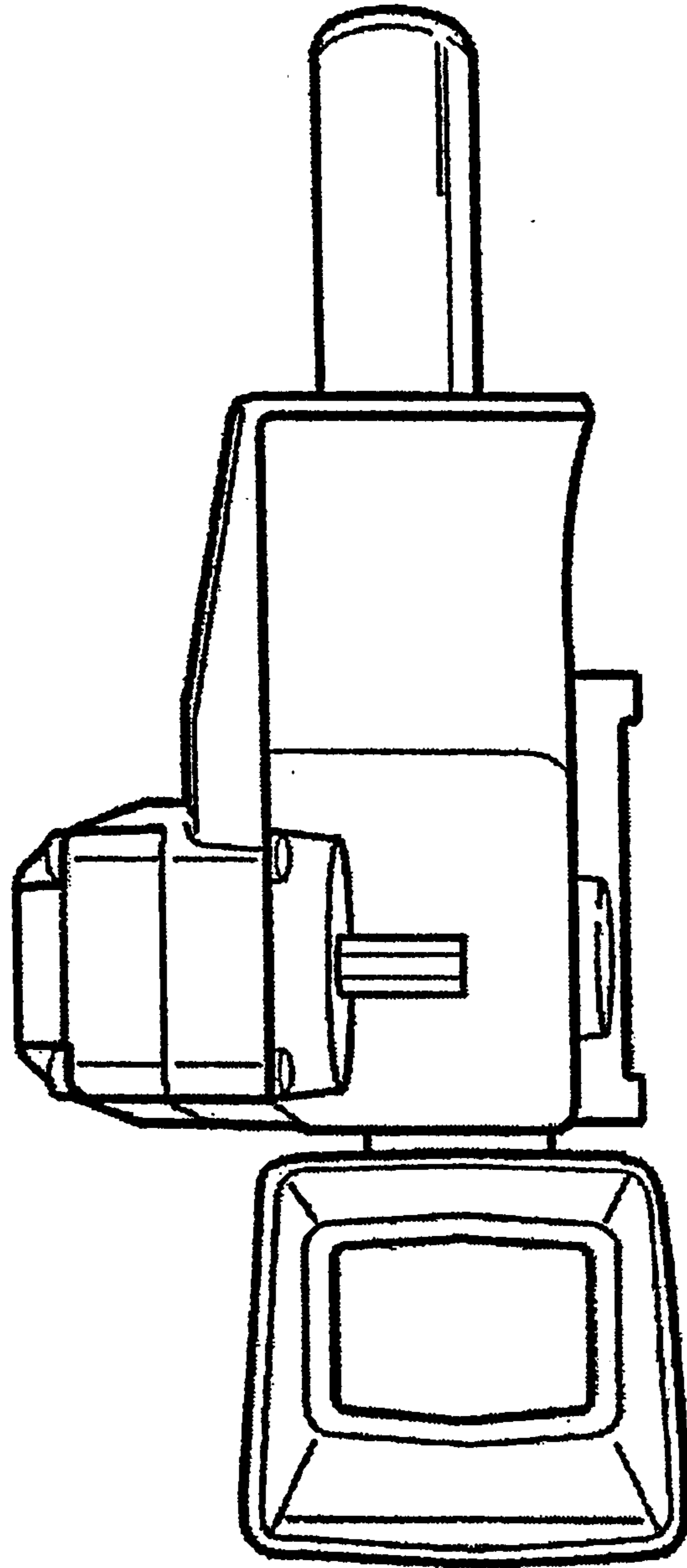


FIG.1



**FIG.2**

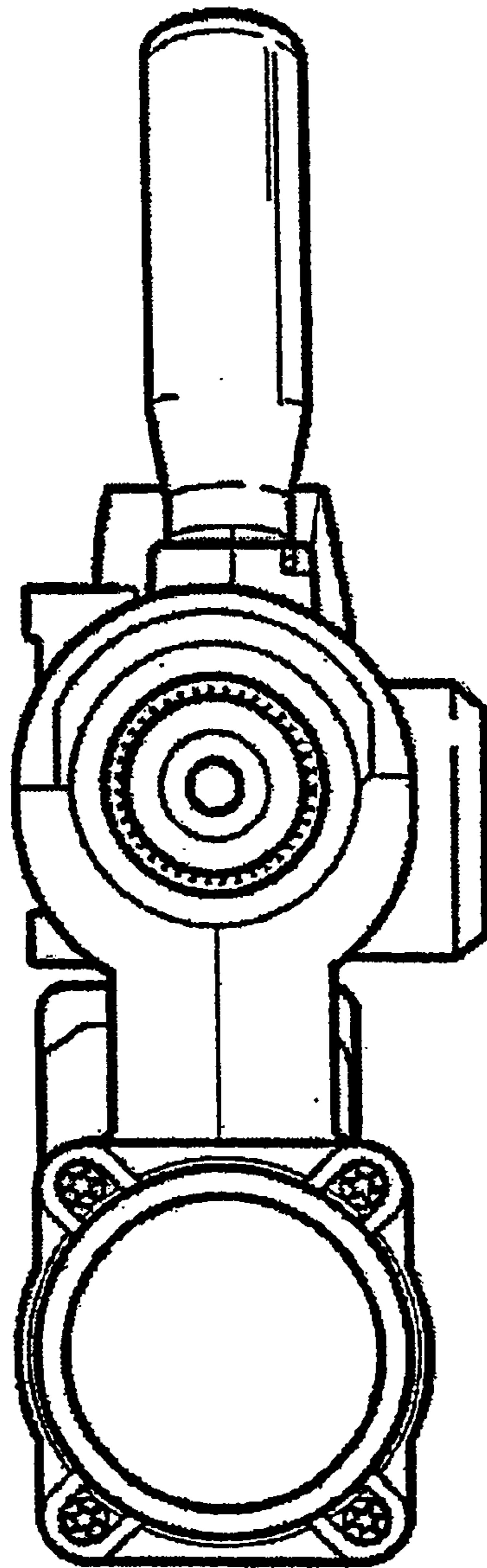


FIG.3

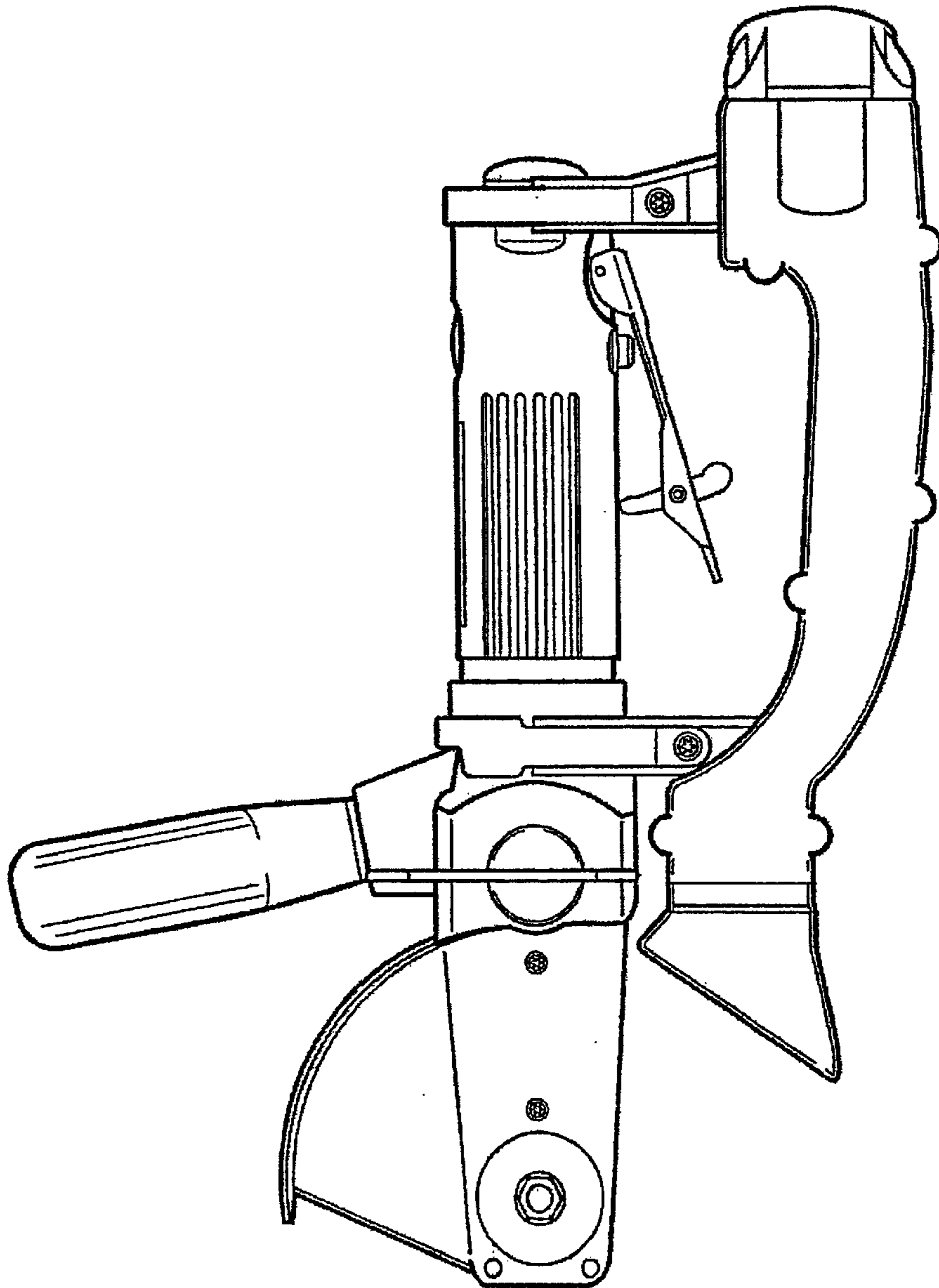


FIG.4

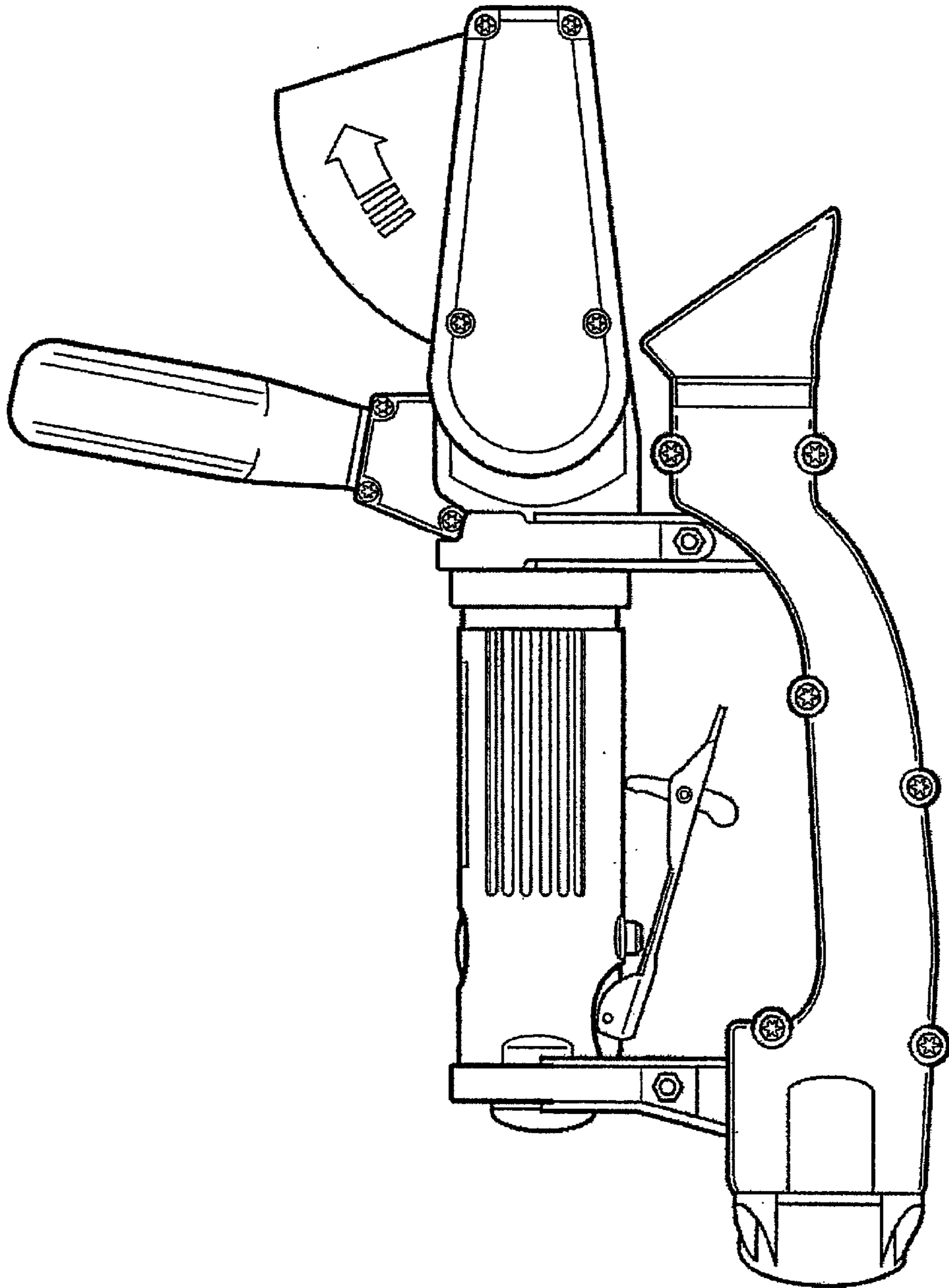


FIG.5

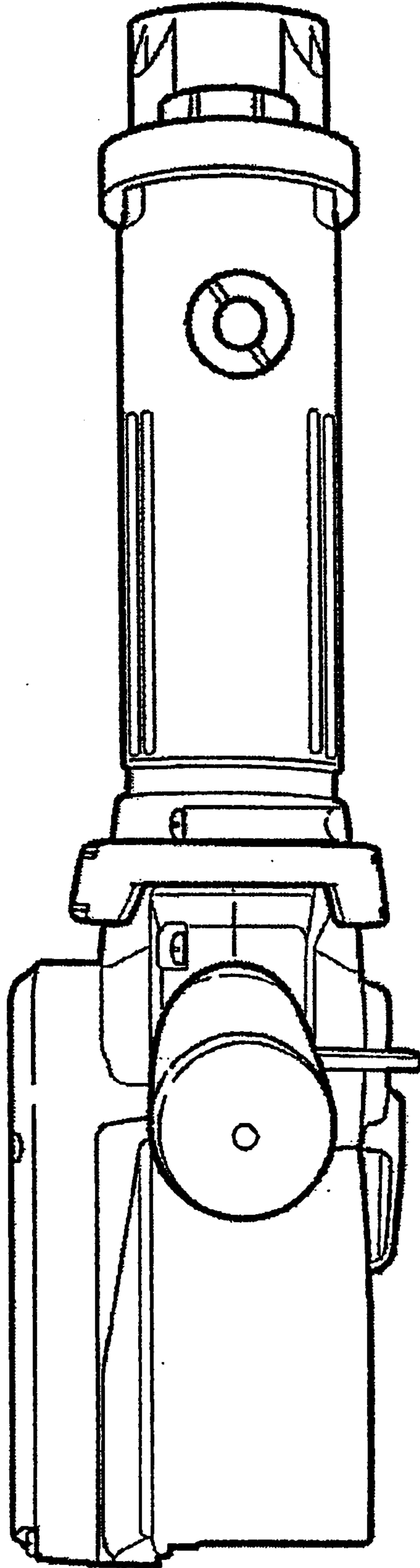


FIG.6

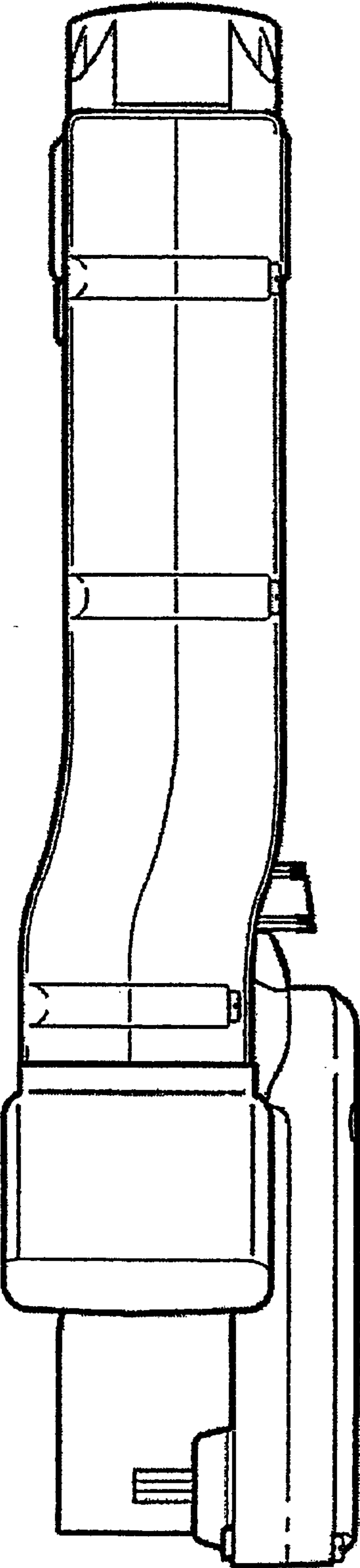


FIG. 7

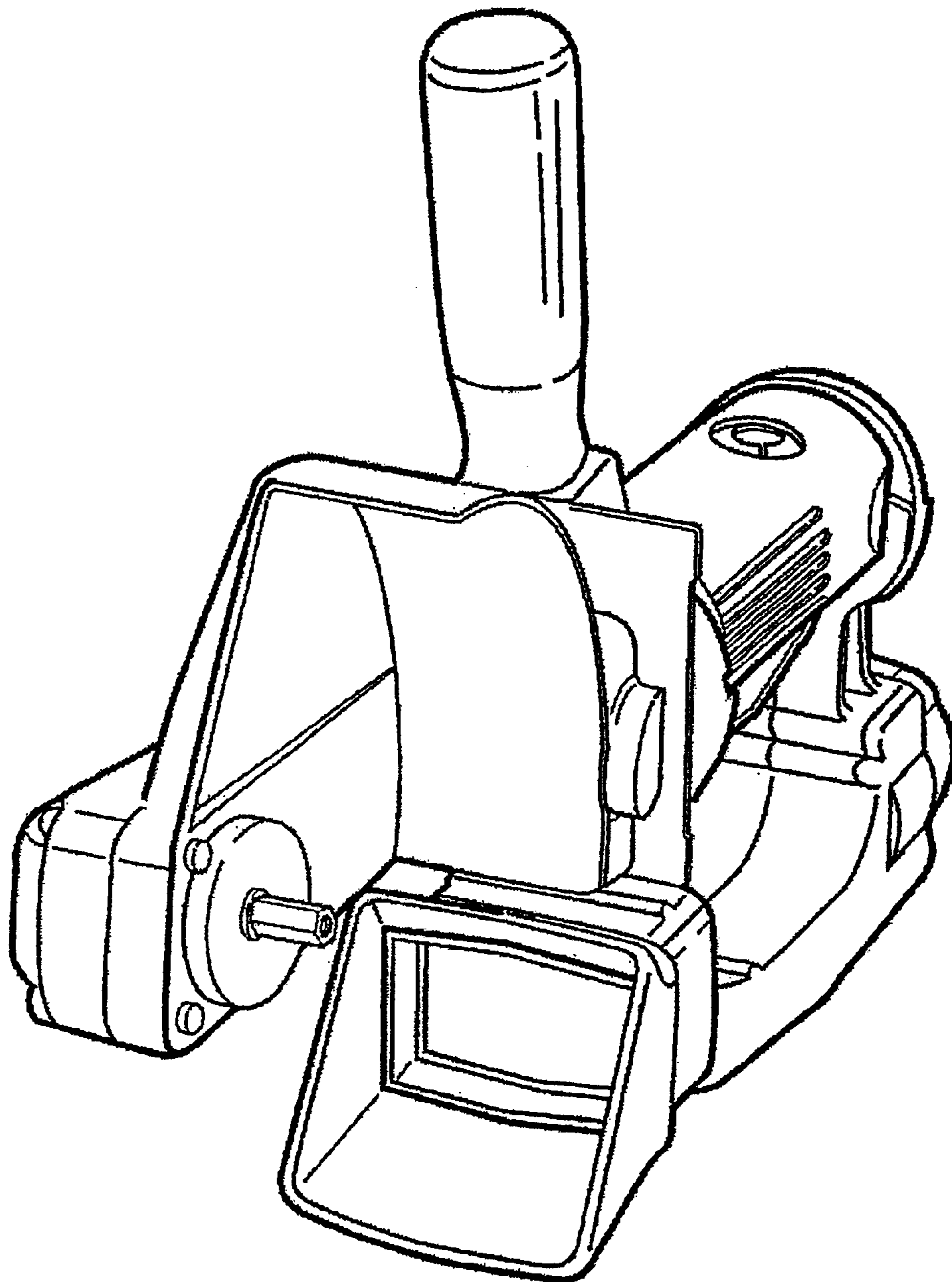




FIG. 8

