



US00D524617S

(12) **United States Design Patent** (10) **Patent No.:** **US D524,617 S**
Schiller et al. (45) **Date of Patent:** **** Jul. 11, 2006**

(54) **RATCHET WRENCH**

(75) Inventors: **Joel D. Schiller**, Comfrey, MN (US);
Jeffrey A. Kretsch, Springfield, MN
(US); **Lisa M. Wahl**, Sleep Eye, MN
(US); **Sandra L. Hesse**, Clements, MN
(US); **Chad Davis**, Chicago, IL (US);
Scott Dallmeyer, Chicago, IL (US);
Craig Scherer, Wilmette, IL (US)

(73) Assignee: **Powermate Corporation**, Aurora, IL
(US)

(**) Term: **14 Years**

(21) Appl. No.: **29/205,424**

(22) Filed: **May 14, 2004**

(51) **LOC (8) Cl.** **08-04**

(52) **U.S. Cl.** **D8/61**

(58) **Field of Classification Search** D8/61,
D8/62, 68, 70, 83, 107; 81/57.11, 57.13,
81/57.14, 57.26, 57.29, 57.39, 57.42, 63.1,
81/429, 464, 467, 469, 470, 473; 173/168,
173/169, 170, 176, 177, 178, 181, 216, 217;
73/862.21; 310/50

See application file for complete search history.

(56) **References Cited**

U.S. PATENT DOCUMENTS

4,337,053 A * 6/1982 Stevens 440/87
D408,243 S * 4/1999 Izumisawa D8/61
D428,787 S * 8/2000 Smolinski et al. D8/70
D432,379 S * 10/2000 Sun D8/70
D448,265 S * 9/2001 Chen D8/80
D448,268 S * 9/2001 Lamond et al. D8/107
D449,212 S * 10/2001 Price et al. D8/107
D451,358 S * 12/2001 Griese et al. D8/107

D456,232 S * 4/2002 Chen D8/61
D468,607 S * 1/2003 Price et al. D8/61
D469,672 S * 2/2003 Bass et al. D8/61
D484,016 S * 12/2003 Baker D8/61
D490,680 S * 6/2004 Levine et al. D8/83
2005/0076745 A1 * 4/2005 Chen 81/57.39
2005/0132846 A1 * 6/2005 Lai 81/57.39

OTHER PUBLICATIONS

Coleman Powermate Professional Air Tools and Accessories, 1997 product catalog.

Coleman Powermate Air Tools and Accessories, 1999 product catalog.

Coleman Powermate Air Tools and Accessories, 2001 product catalog.

* cited by examiner

Primary Examiner—Cathron C. Brooks

Assistant Examiner—Austin Murphy

(74) *Attorney, Agent, or Firm*—Leydig, Voit & Mayer, Ltd.

(57) **CLAIM**

The ornamental design for a ratchet wrench, as shown and described.

DESCRIPTION

FIG. 1 is a top, right front perspective view of a ratchet wrench of the present invention;

FIG. 2 is a front view thereof;

FIG. 3 is a rear view thereof;

FIG. 4 is a right side view thereof;

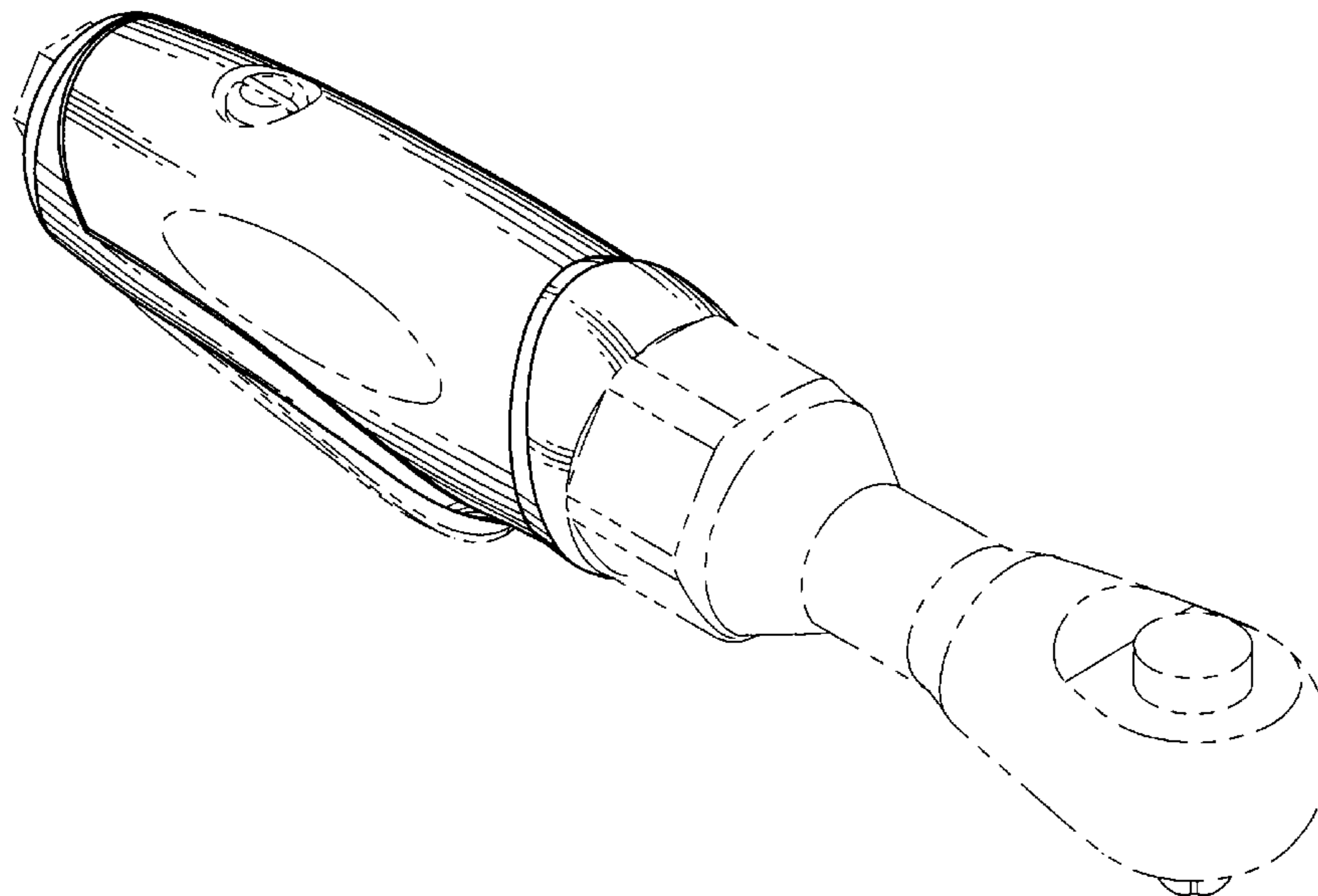
FIG. 5 is a left side view thereof;

FIG. 6 is a top view thereof; and,

FIG. 7 is a bottom view thereof.

The broken line showing is for illustrative purposes only and forms no part of the claimed design.

1 Claim, 3 Drawing Sheets



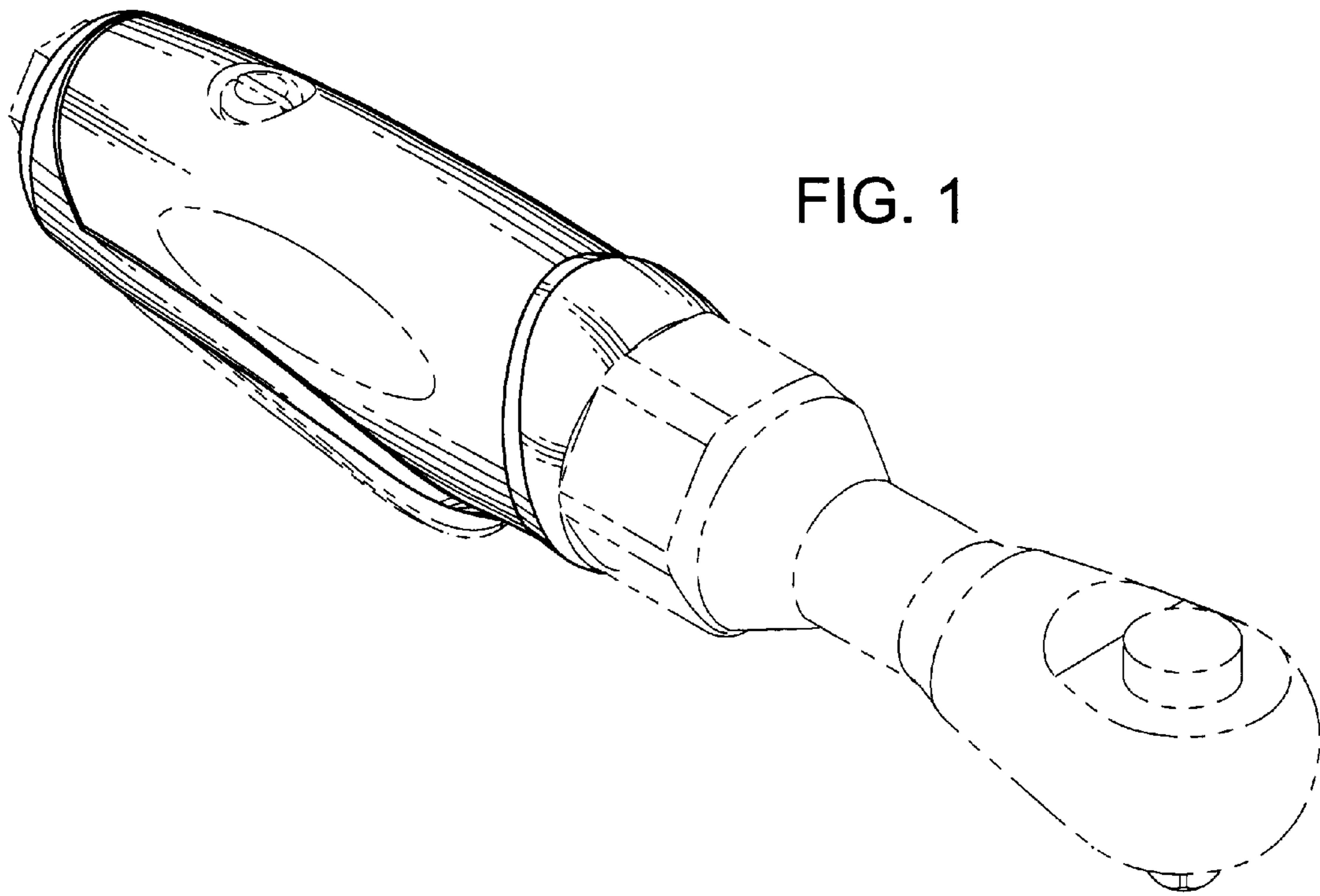


FIG. 1

FIG. 2

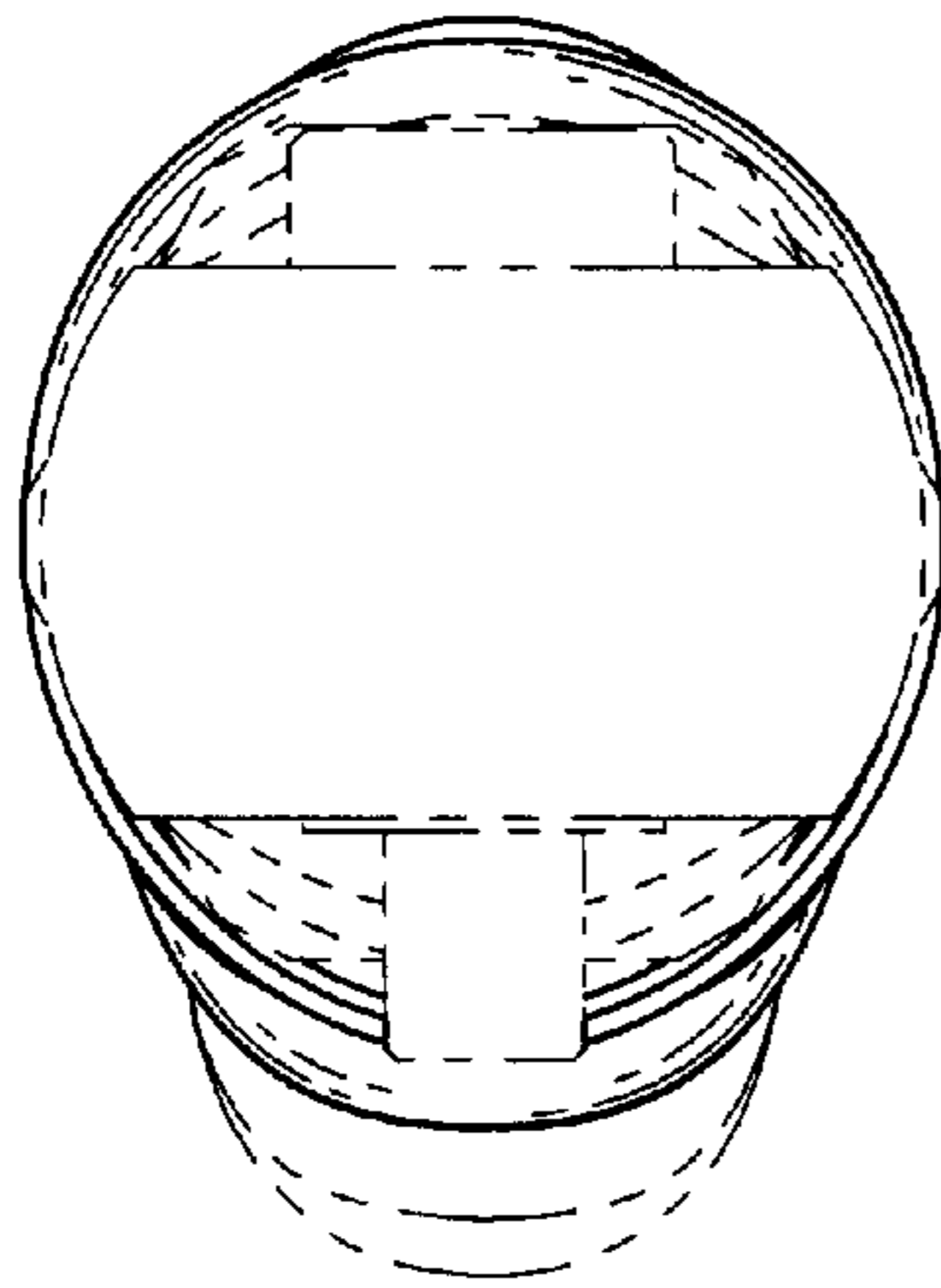


FIG. 3

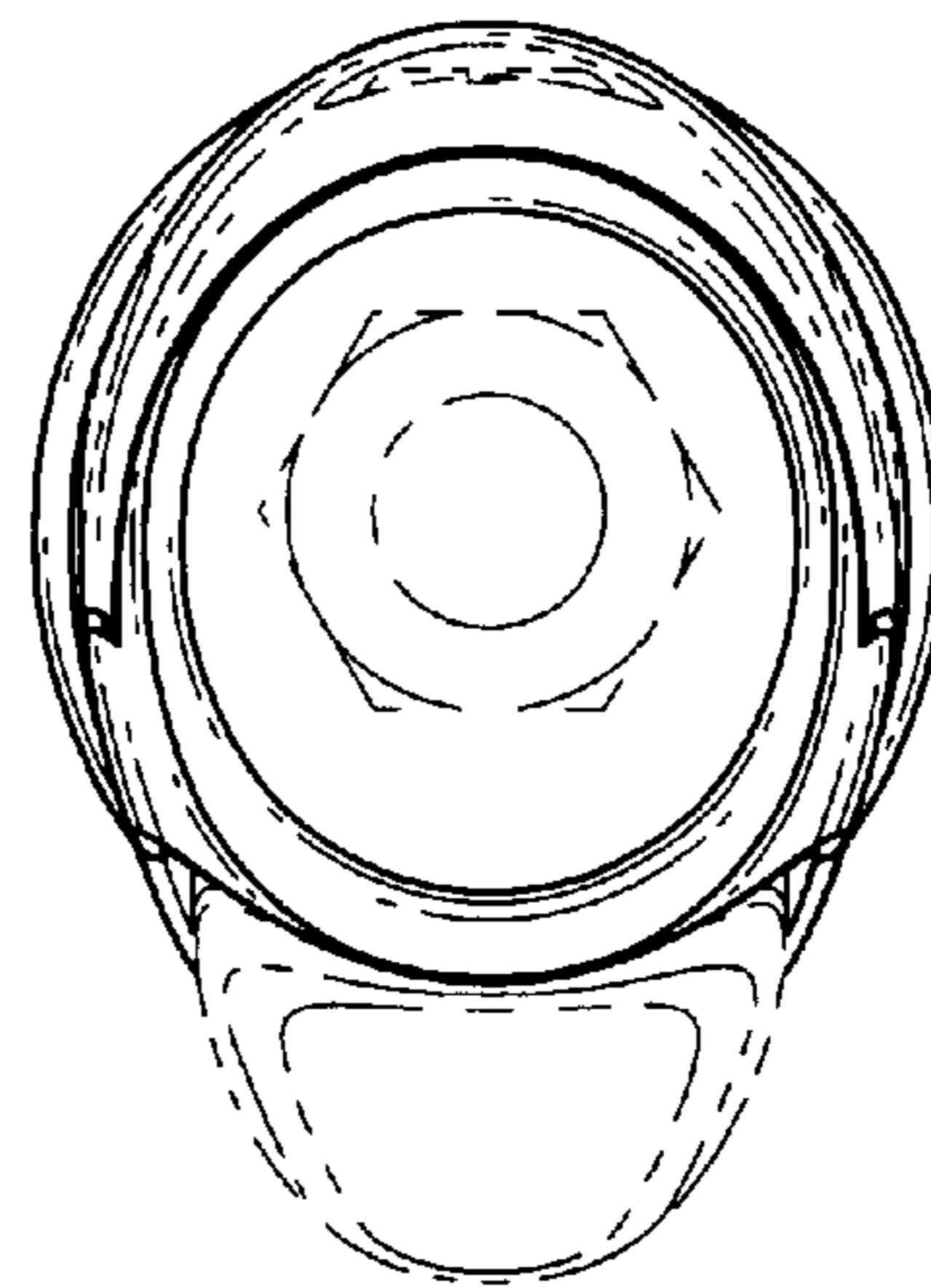


FIG. 4

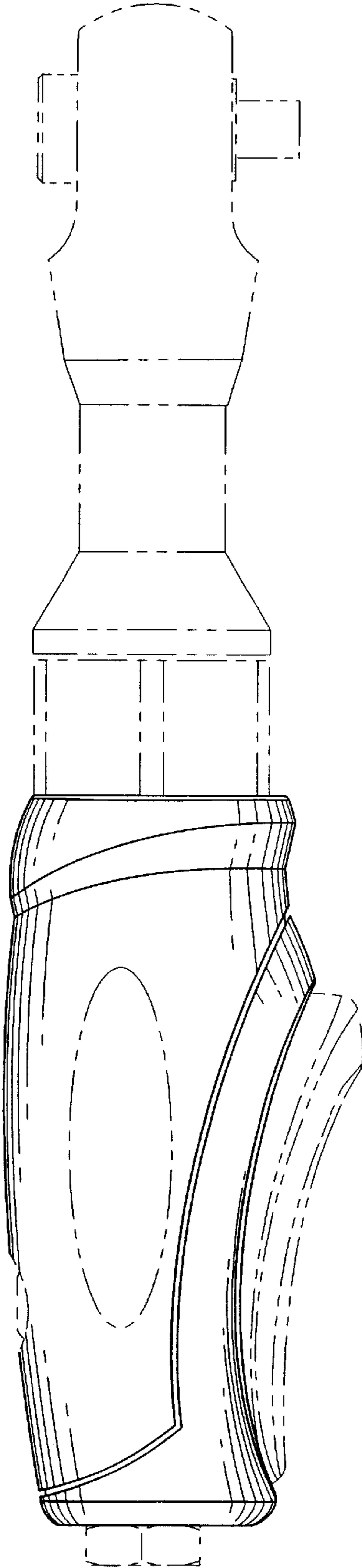


FIG. 5

