

US00D524615S

(12) **United States Design Patent**
Albertson

(10) **Patent No.:** **US D524,615 S**

(45) **Date of Patent:** **** Jul. 11, 2006**

(54) **HEXAGONAL SAE AND METRIC SOCKET**

6,761,093 B1 * 7/2004 Chang 81/121.1

(76) Inventor: **Robert V. Albertson**, 2100 Shadywood Rd., Wayzata, MN (US) 55391

OTHER PUBLICATIONS

Snap-on tool cat. dated 1990 p. 90.*

(**) Term: **14 Years**

* cited by examiner

(21) Appl. No.: **29/221,488**

Primary Examiner—Raphael Barkai
Assistant Examiner—Randall H. Gholson

(22) Filed: **Jan. 18, 2005**

(57) **CLAIM**

(51) **LOC (8) Cl.** **08-05**

The ornamental design of a hexagonal SAE and metric socket, as shown and described.

(52) **U.S. Cl.** **D8/29**

(58) **Field of Classification Search** D8/21–29;
81/119, 121.1, 124.3, 124, 4, 124.6, 124.7,
81/125, 186, 177.85, 125.1, 3.09, 486, 124.2,
81/120, 123, 124.1

DESCRIPTION

See application file for complete search history.

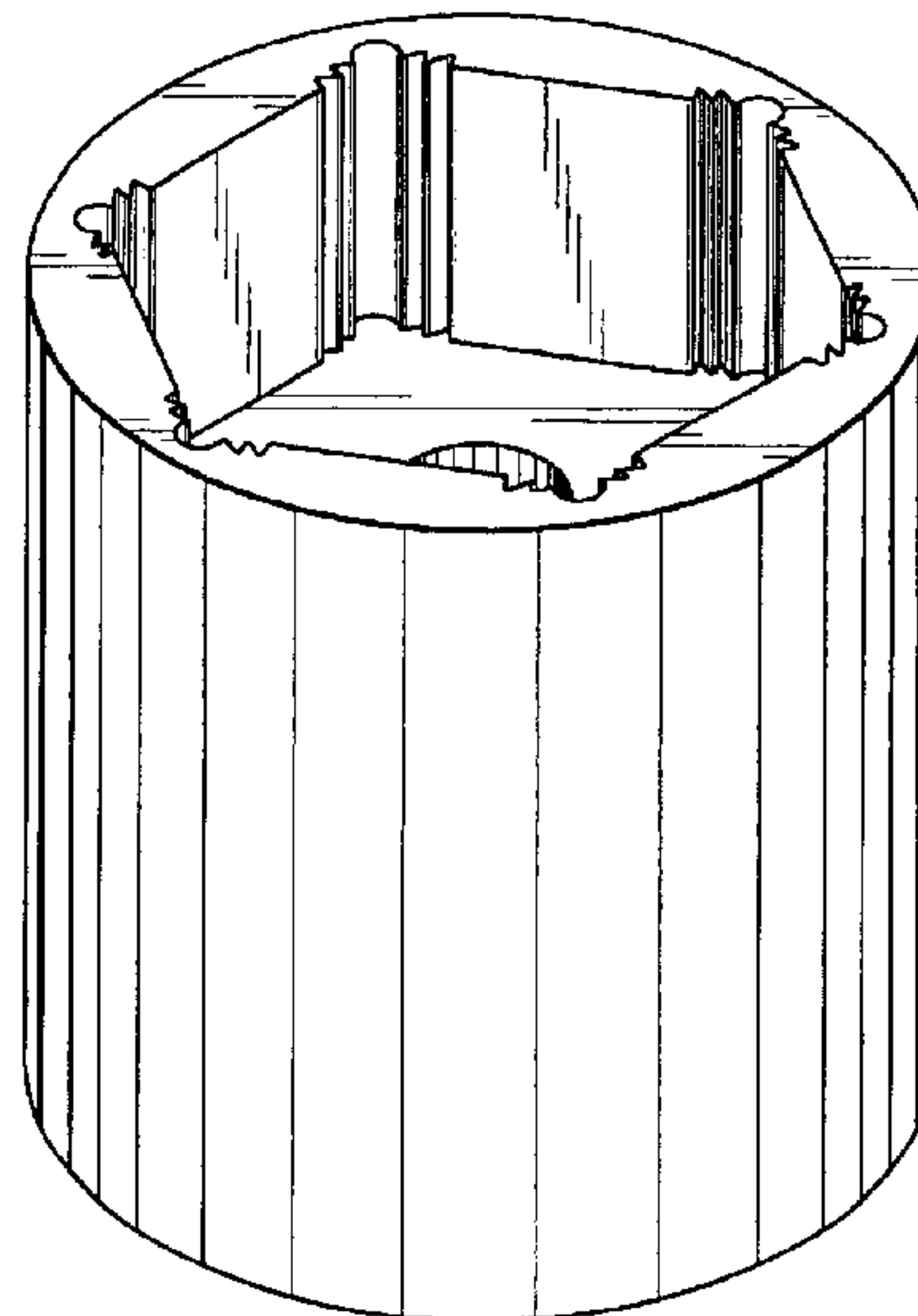
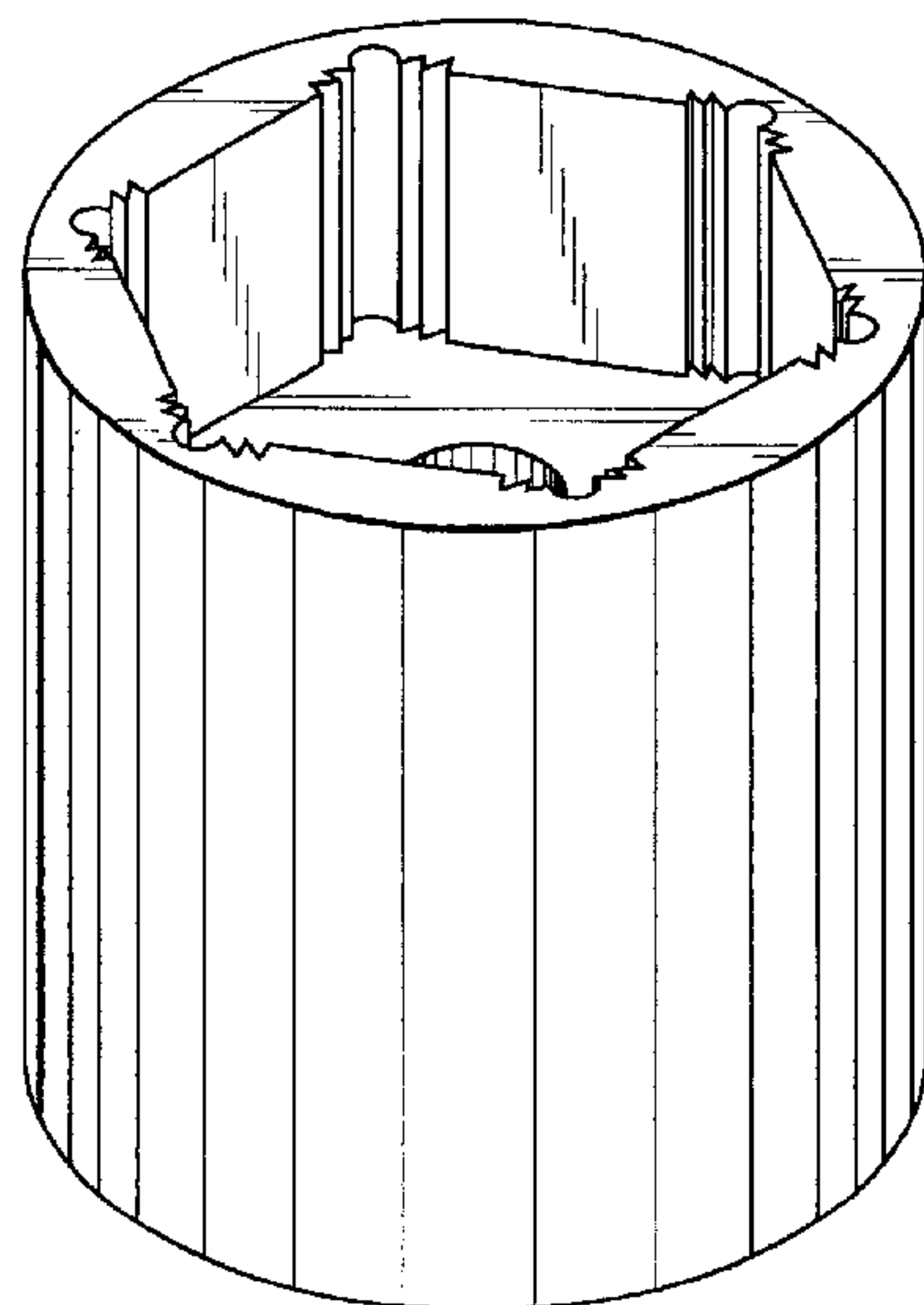
FIG. 1 is a front perspective view of a hexagonal SAE and metric socket of my new design;
FIG. 2 is a top plan view thereof;
FIG. 3 is a bottom plan view thereof;
FIG. 4 is a front elevational view thereof;
FIG. 5 is a rear elevational view thereof;
FIG. 6 is a side elevational view thereof, the opposite side elevational view being a mirror image thereof;
FIG. 7 is a reduced scale section view taken along the line 7–7 of FIG. 2;
FIG. 8 is a perspective view of a modification of the hexagonal SAE and metric sockets of FIG. 1;
FIG. 9 is a top plan view of FIG. 8; and
FIG. 10 is a bottom plan view of FIG. 8;
FIG. 11 is a front elevational view of FIG. 8;
FIG. 12 is a rear elevational view of FIG. 8;
FIG. 13 is a side elevational view of FIG. 8, the opposite side elevational view being a mirror image thereof;
FIG. 14 is a reduced scale sectional view taken along the line 14–14 of FIG. 9;
FIG. 15 is an enlarged top plan view of the section 15 of FIG. 2; and,
FIG. 16 is an enlarged top plan view of the section 16 of FIG. 9.

(56) **References Cited**

U.S. PATENT DOCUMENTS

3,125,910	A	3/1964	Kavalari	
3,885,480	A *	5/1975	Muenchinger	81/121.1
3,903,764	A *	9/1975	Andersen	81/121.1
3,916,736	A	11/1975	Clemens	
4,100,824	A	7/1978	Marschke	
4,126,063	A *	11/1978	Palmer	81/124.6
4,512,220	A	4/1985	Barnhill et al.	
4,598,616	A	7/1986	Colvin	
4,646,594	A	3/1987	Tien	
5,012,706	A *	5/1991	Wright et al.	81/121.1
5,079,978	A	1/1992	Kupfer	
5,219,392	A	6/1993	Ruzicka et al.	
5,284,073	A	2/1994	Wright et al.	
5,388,486	A	2/1995	Ruzicka et al.	
5,476,024	A *	12/1995	Hsieh	81/121.1
5,595,096	A *	1/1997	Coffman	81/121.1
D398,823	S *	9/1998	Hsieh	D8/29
5,832,792	A *	11/1998	Hsieh	81/124.6
6,098,501	A *	8/2000	Sundstrom	81/121.1
6,626,067	B1 *	9/2003	Iwinski et al.	81/121.1
6,668,686	B1 *	12/2003	Hsien	81/60

1 Claim, 7 Drawing Sheets



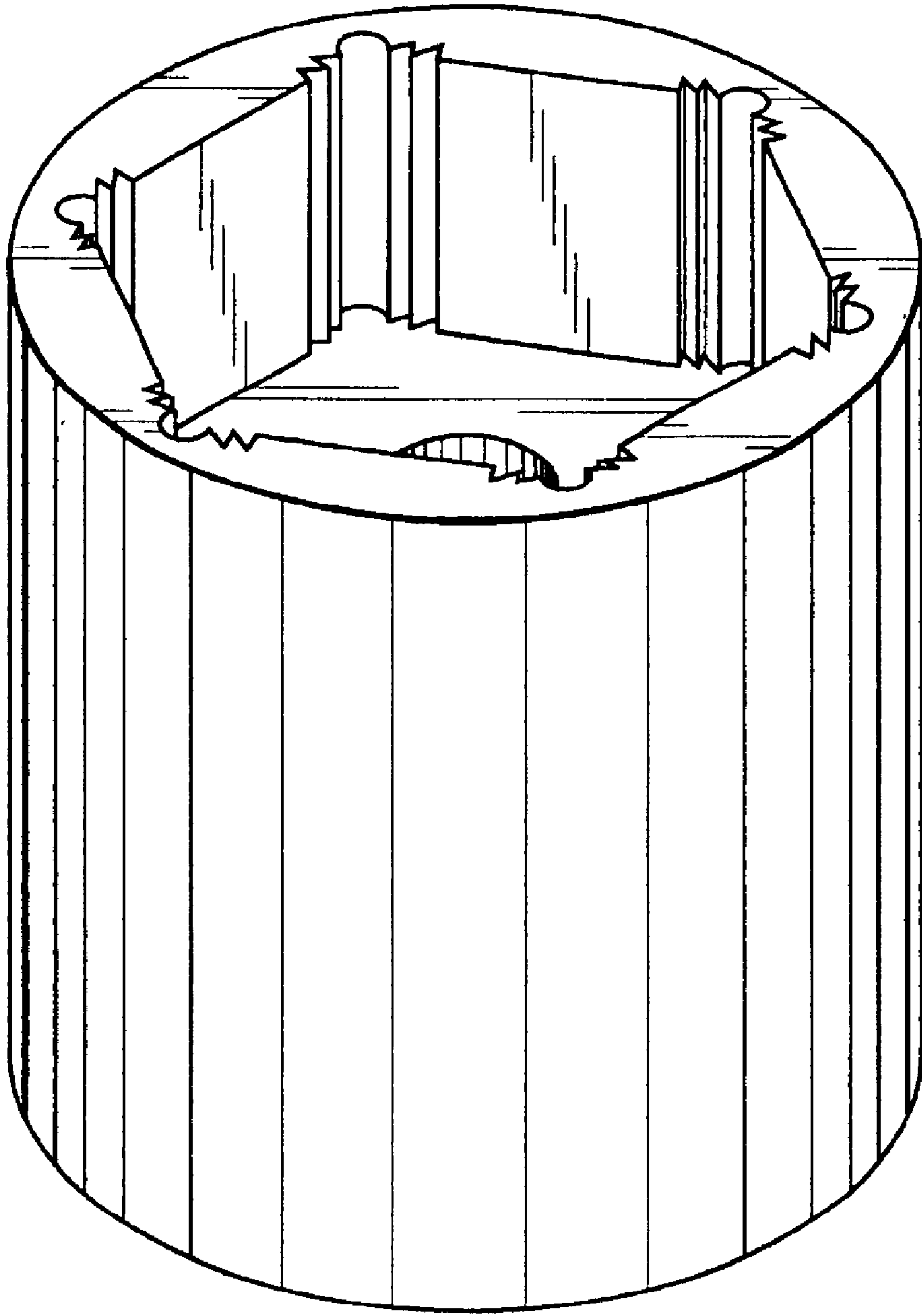


FIG. 1

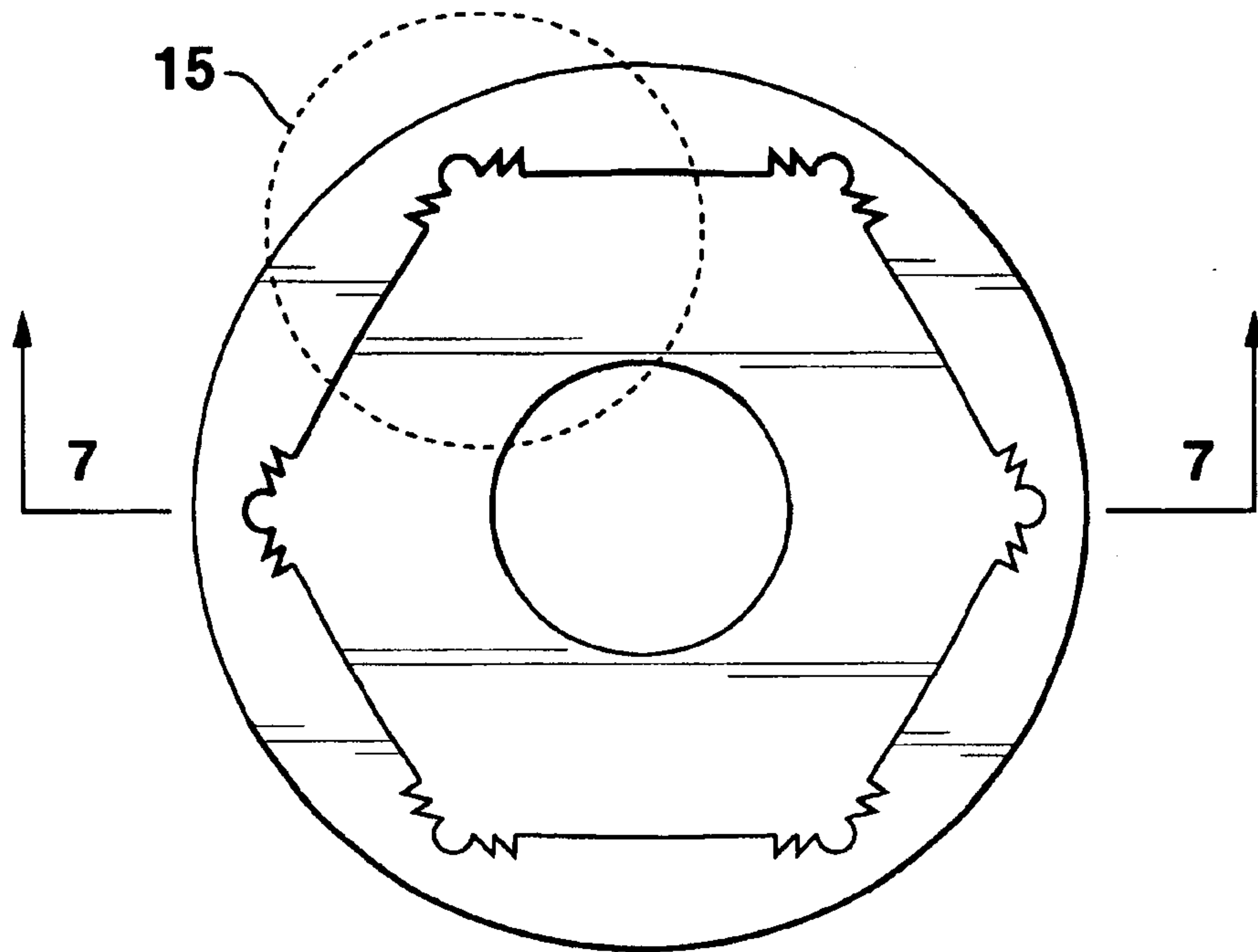


FIG. 2

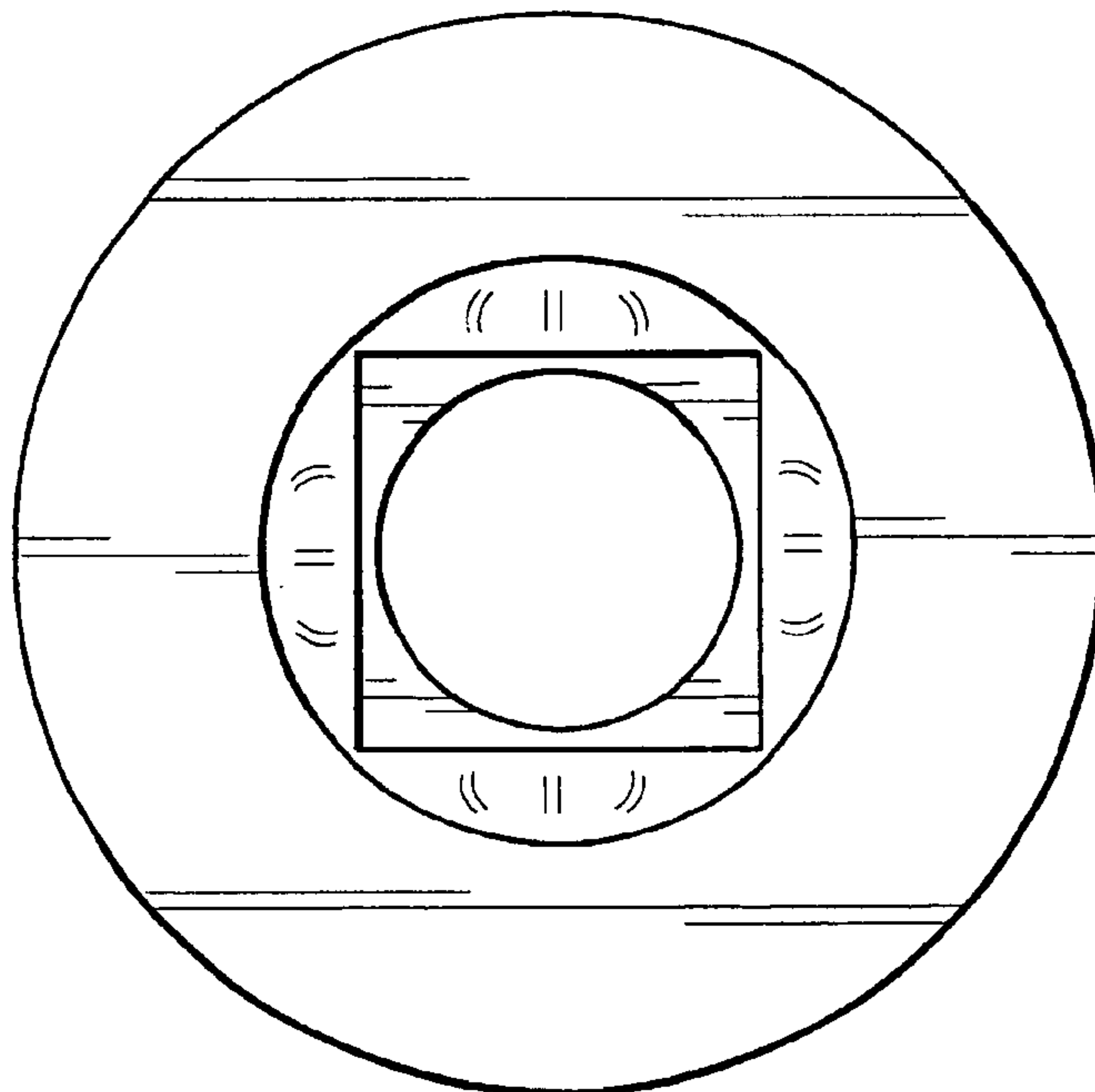


FIG. 3

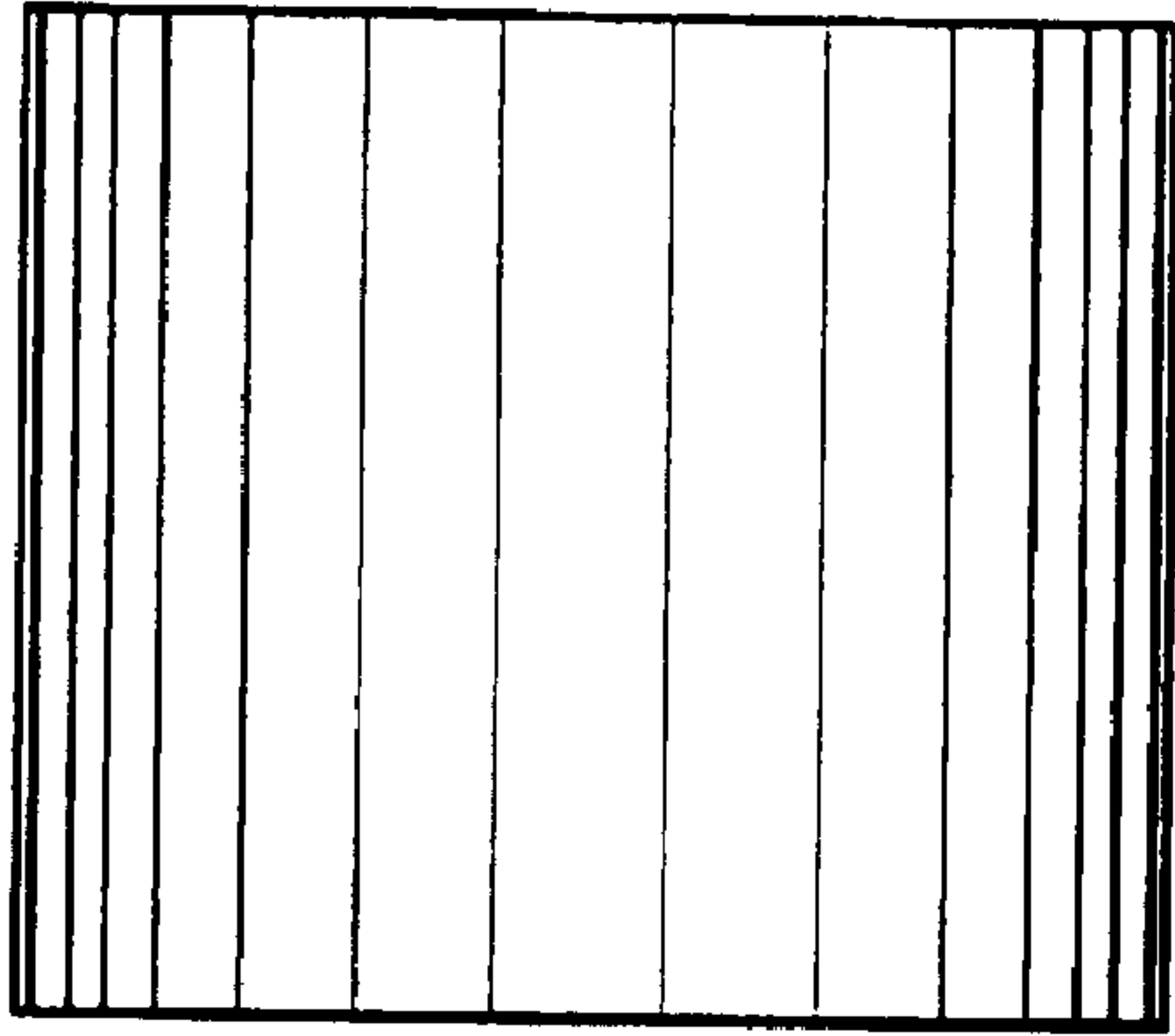


FIG. 4

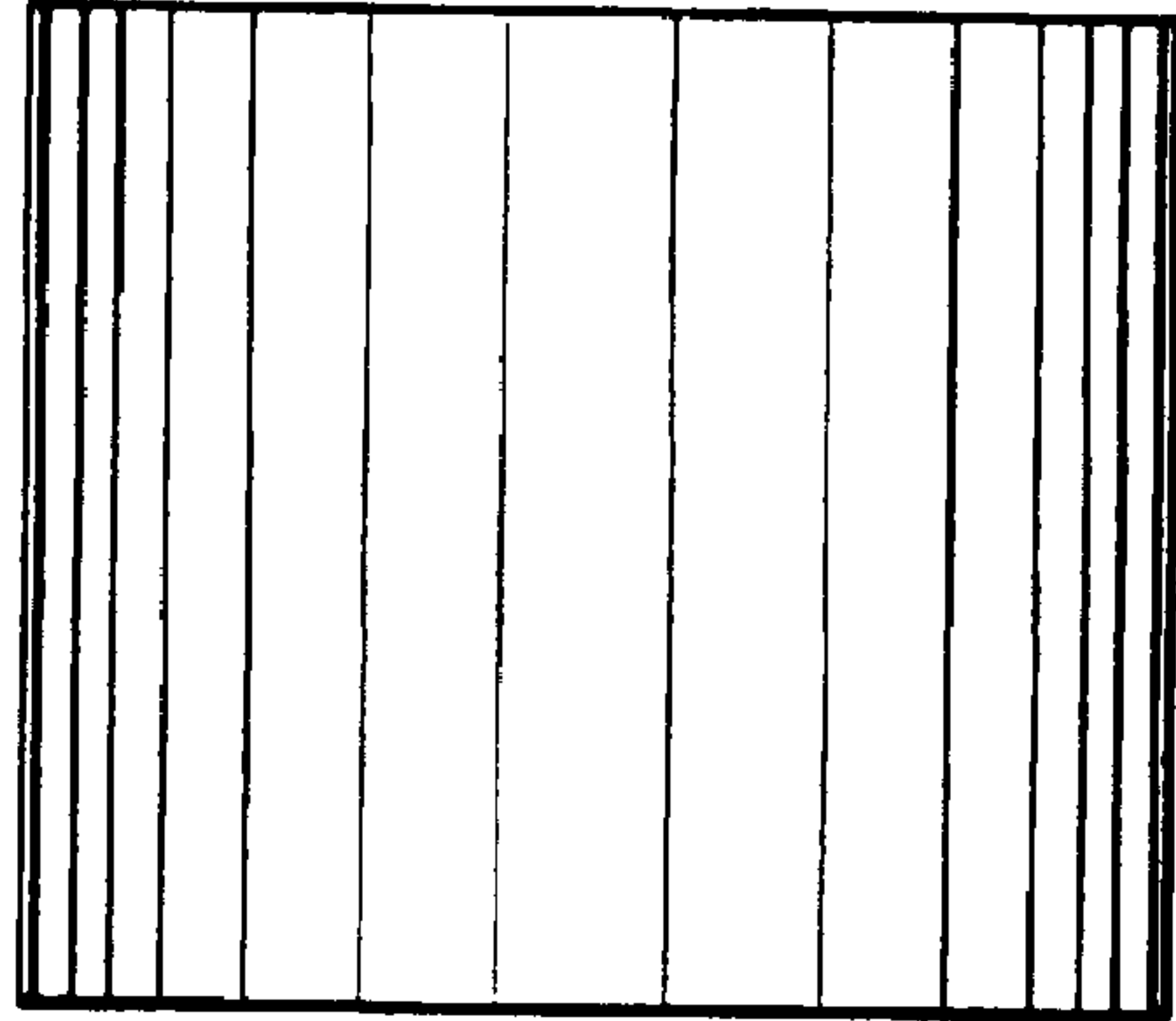


FIG. 5

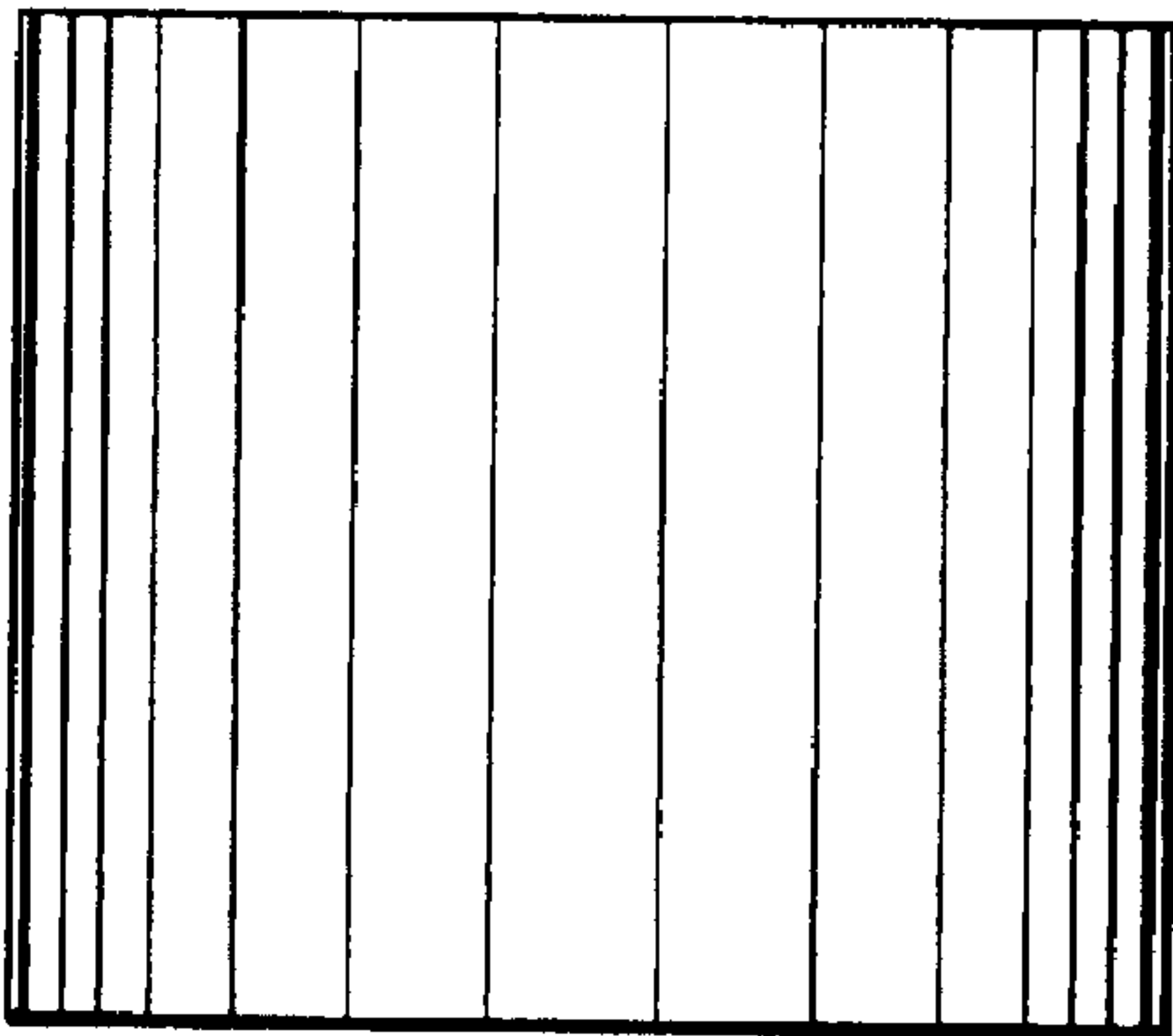


FIG. 6

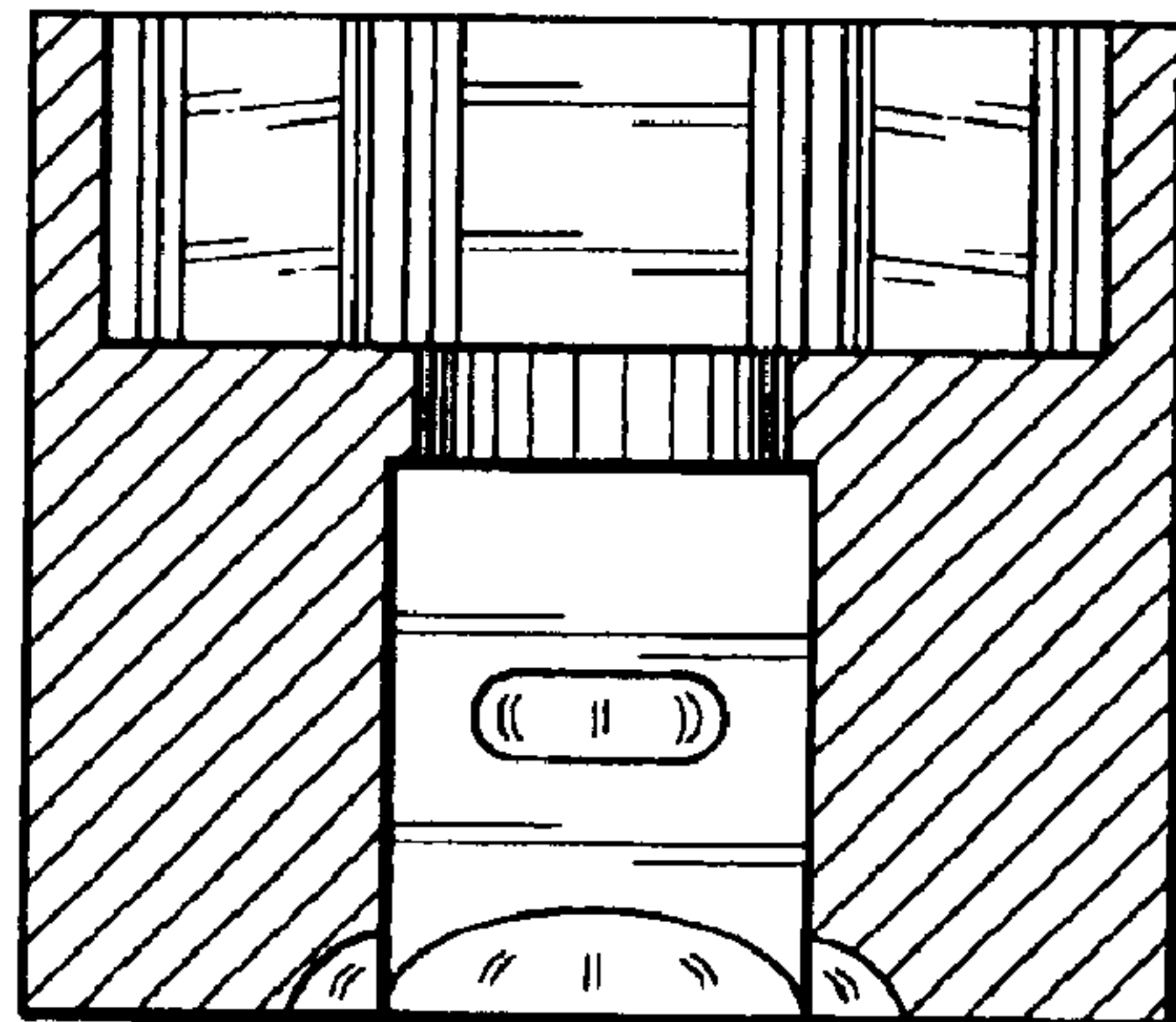


FIG. 7

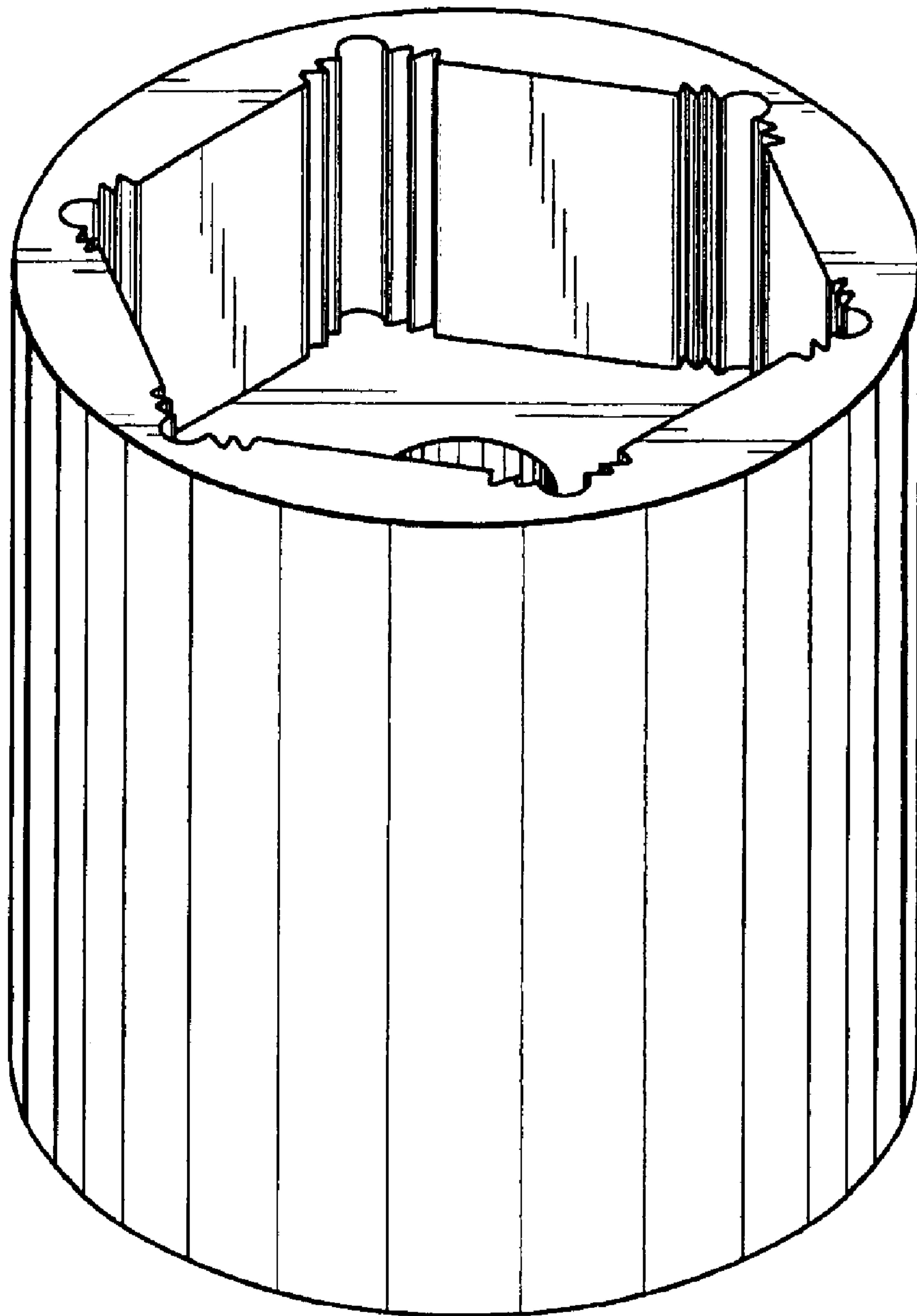


FIG. 8

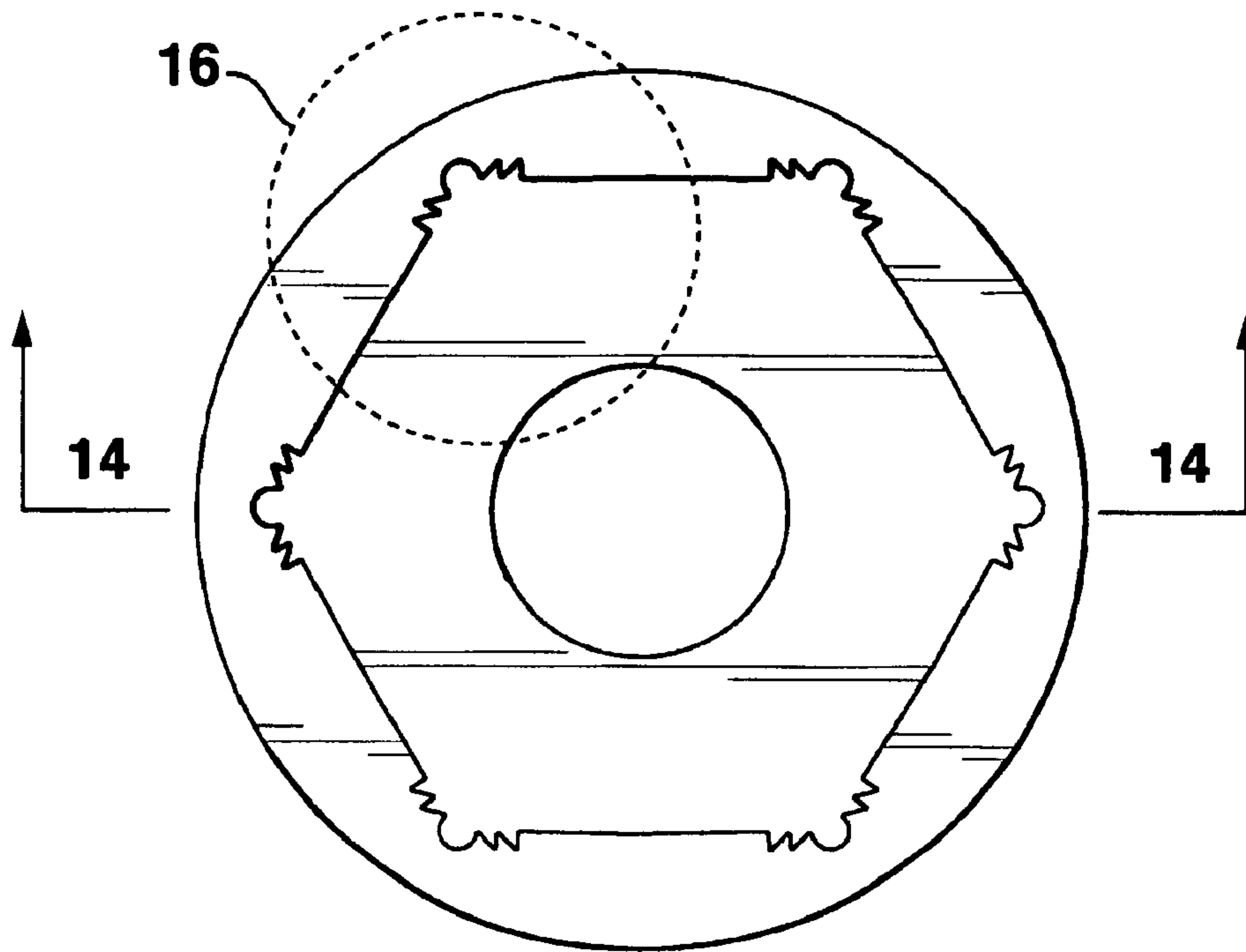


FIG. 9

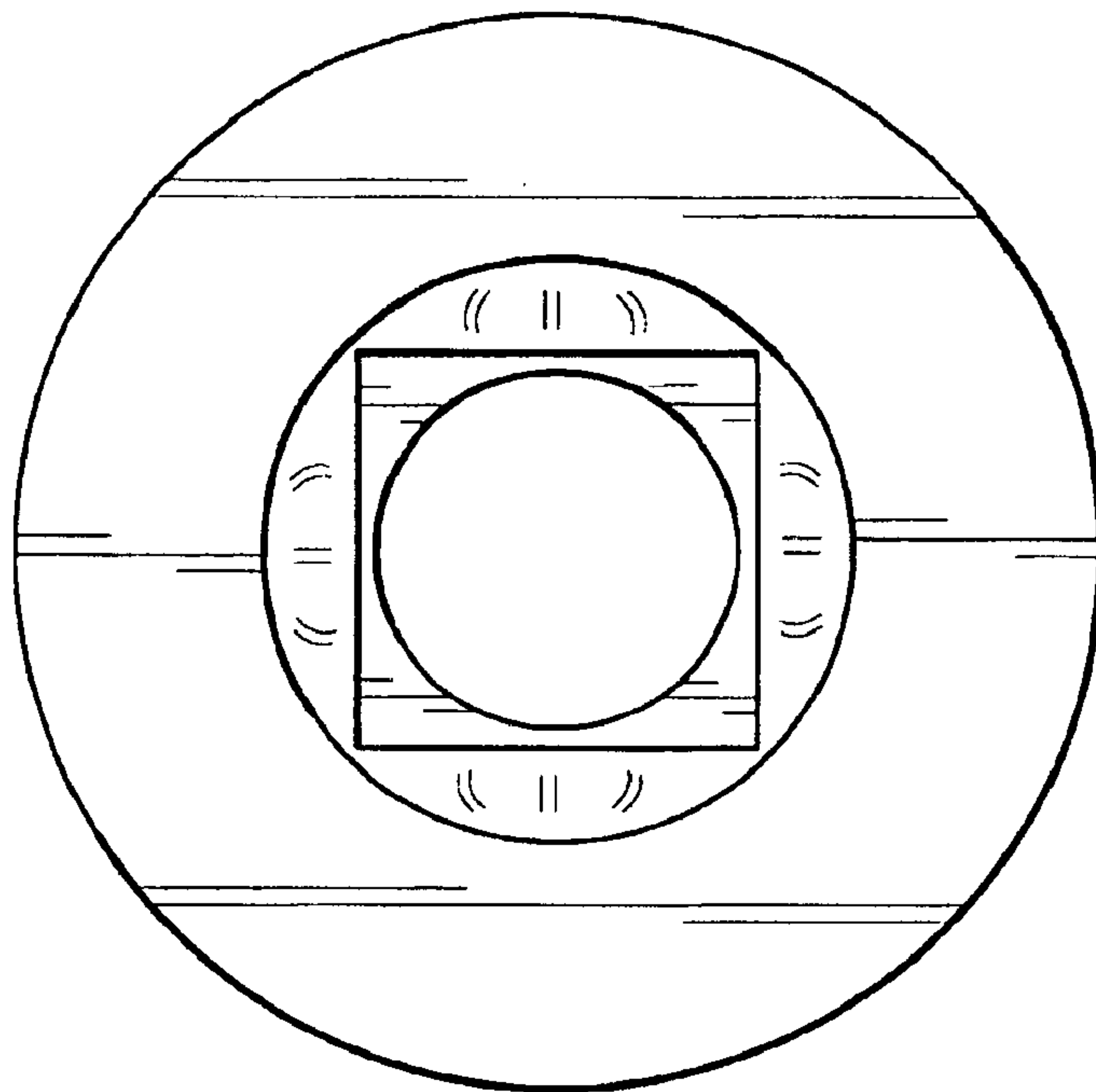


FIG. 10

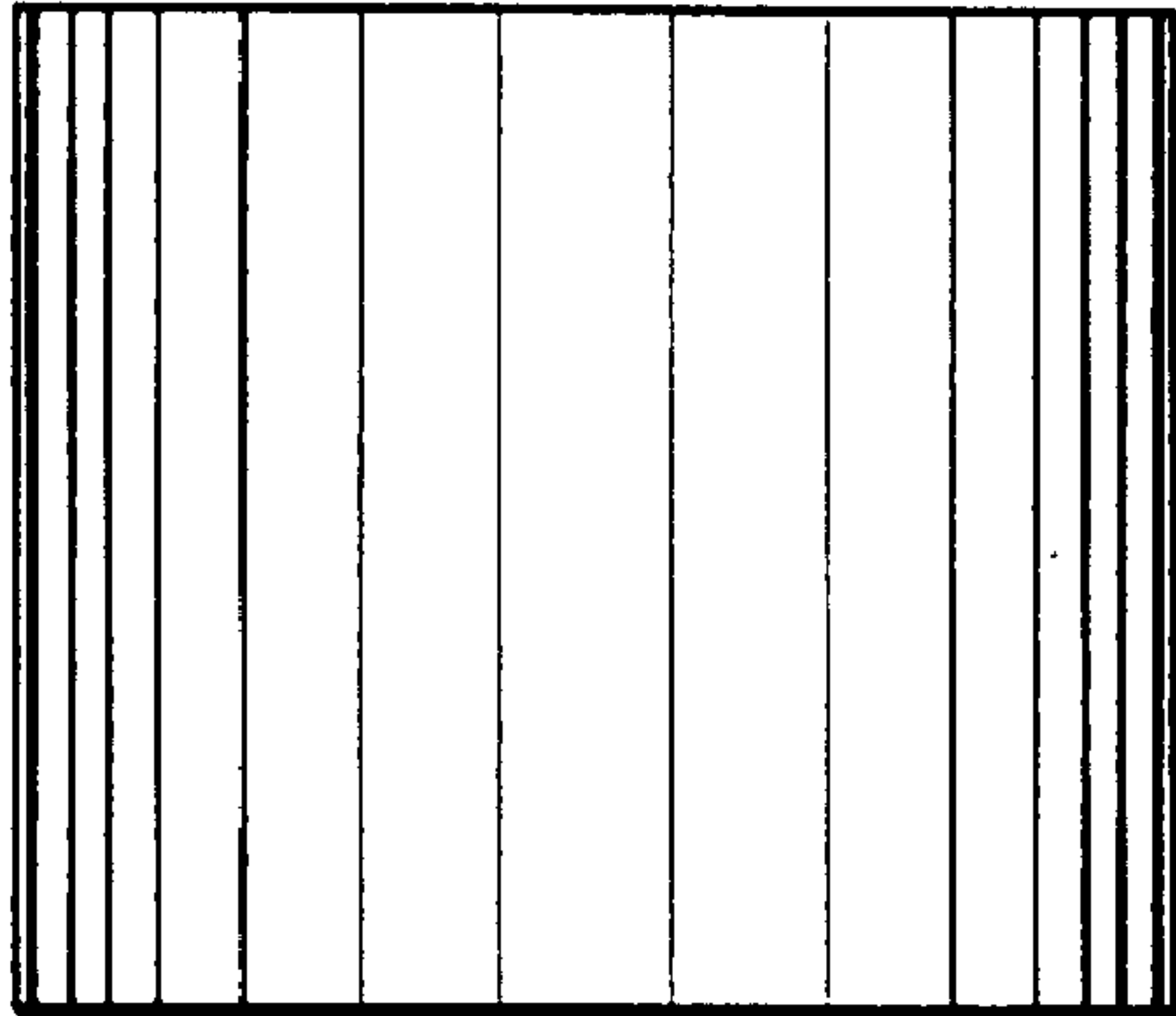


FIG. 11

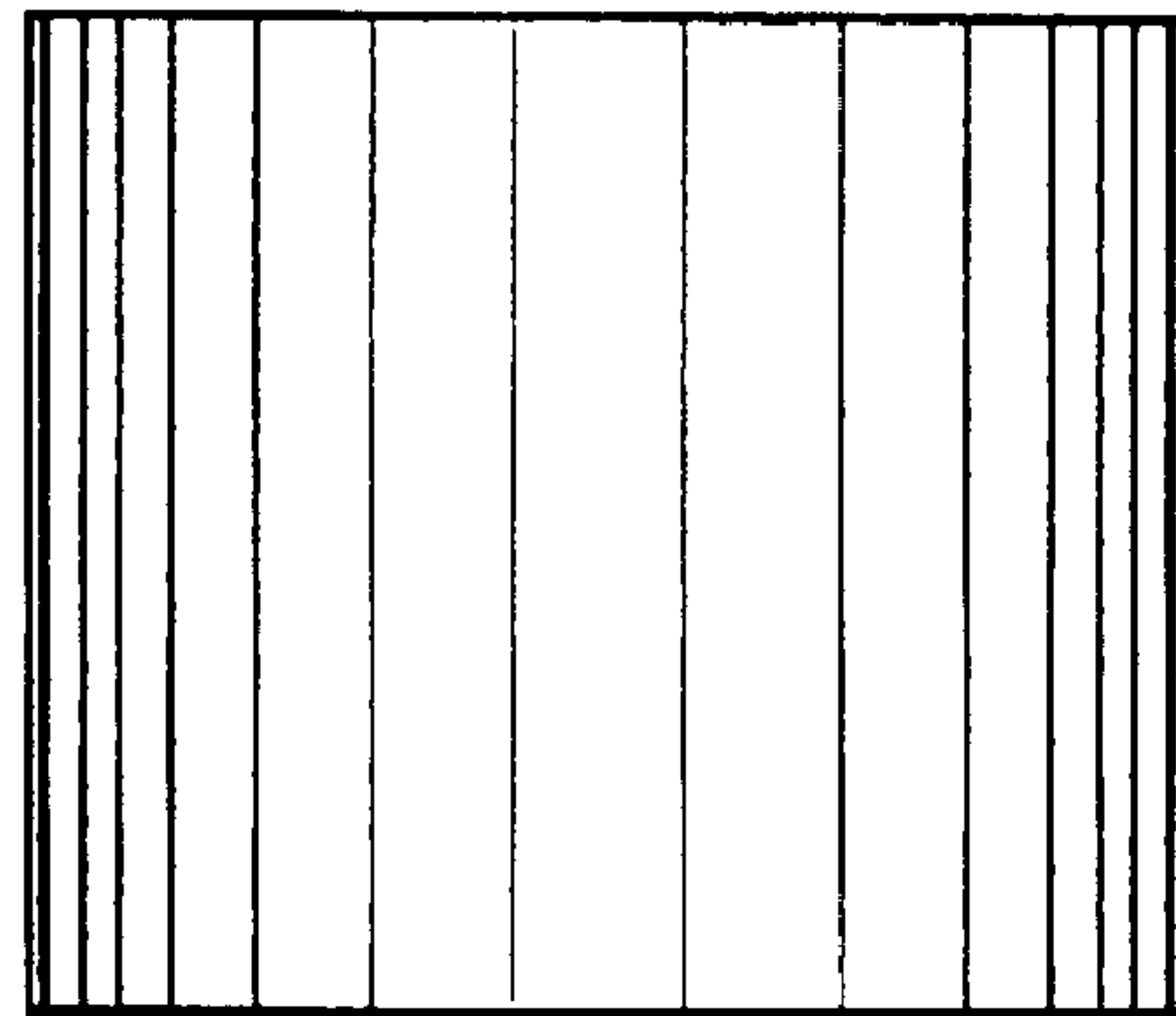


FIG. 12

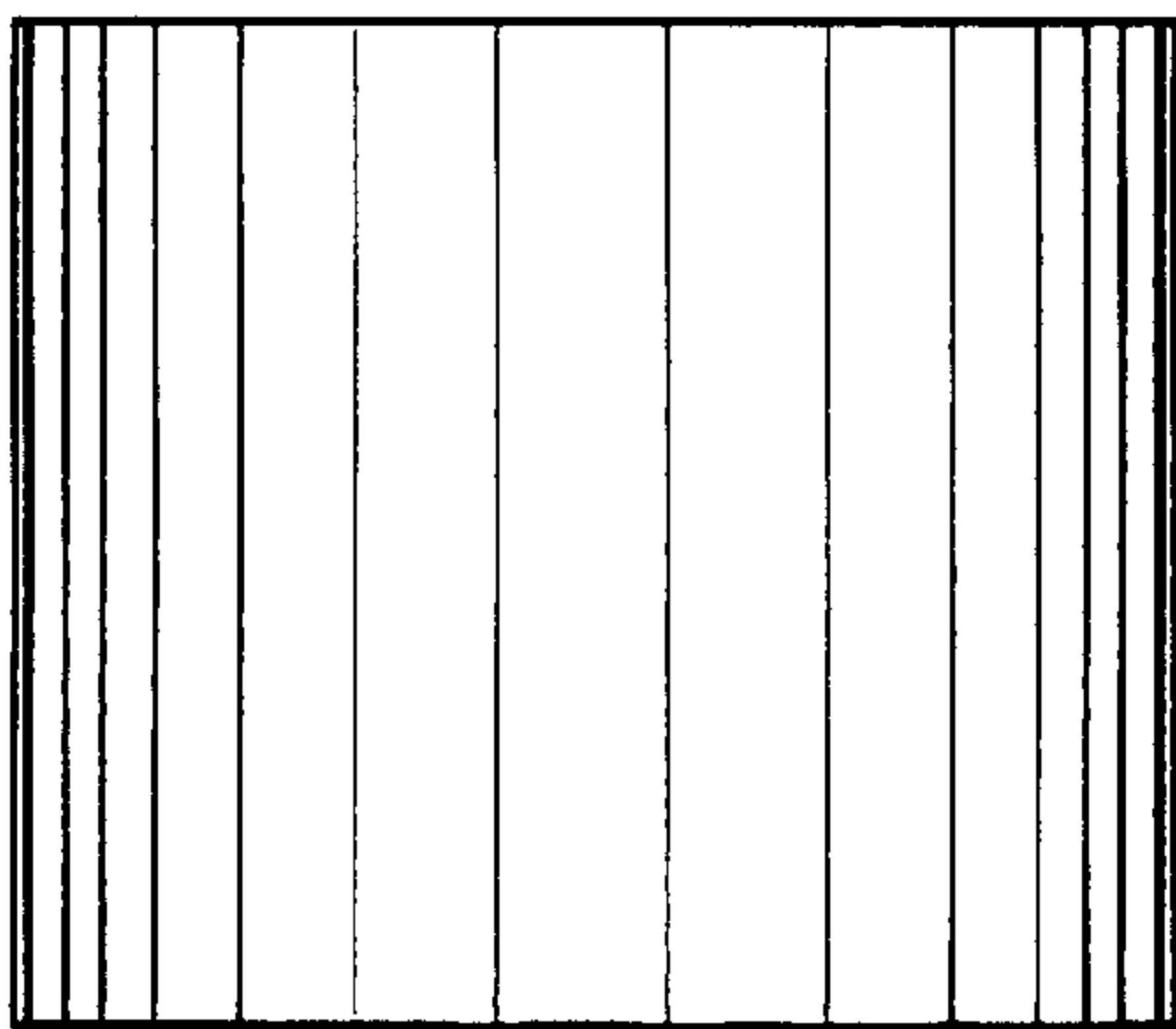


FIG. 13

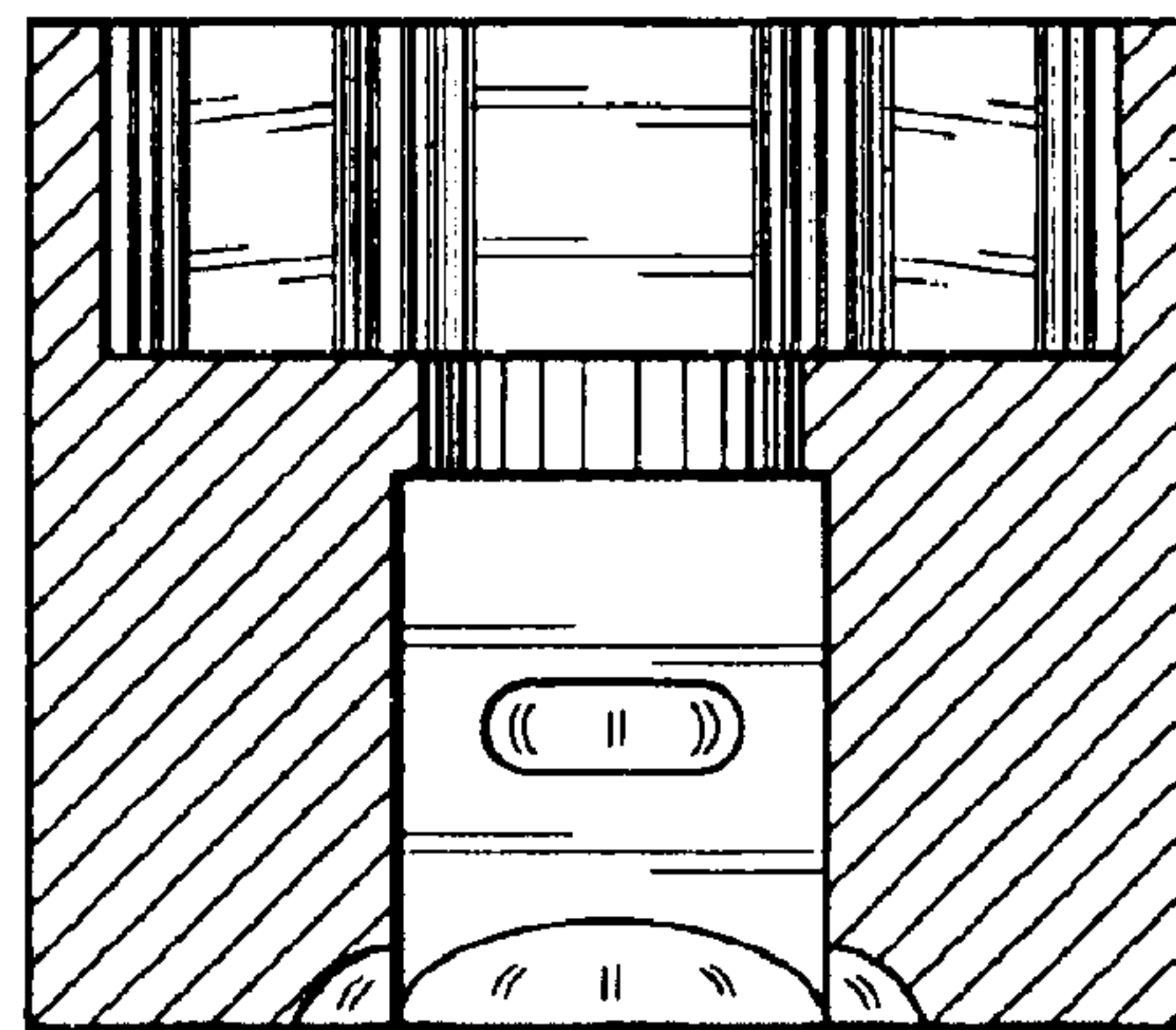


FIG. 14

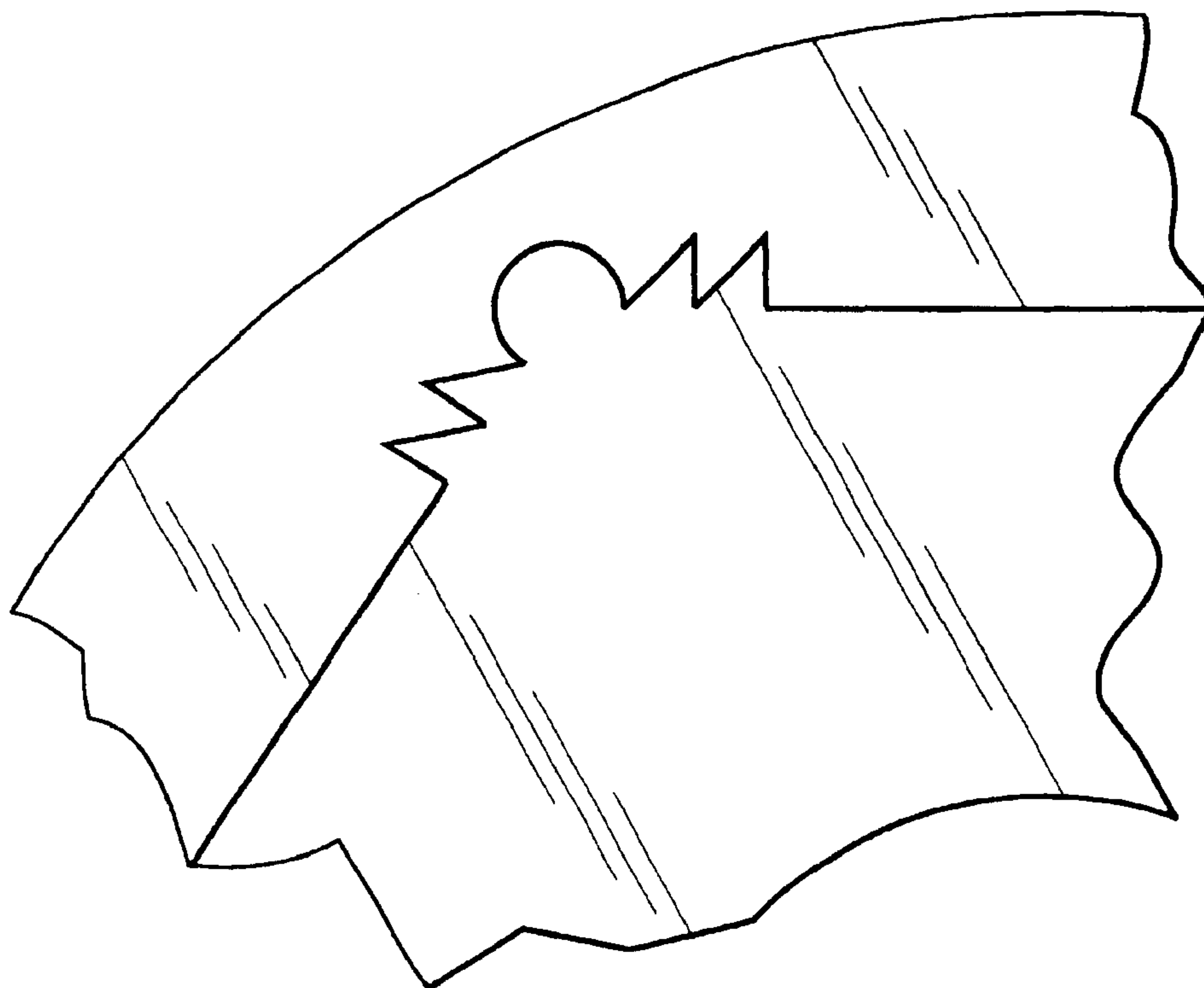


FIG. 15

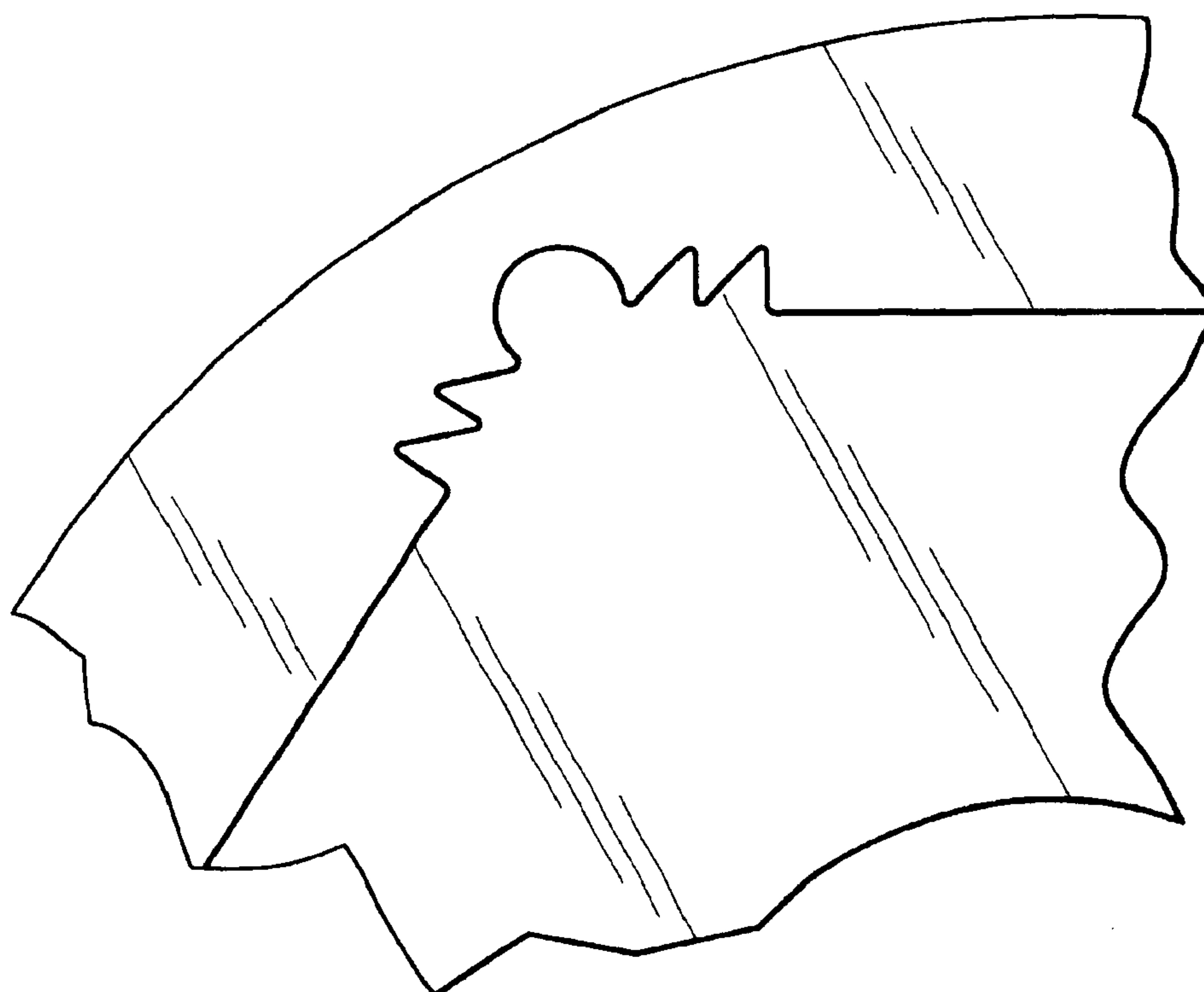


FIG. 16